



US00D615496S

(12) **United States Design Patent**
Mennekes

(10) **Patent No.:** **US D615,496 S**

(45) **Date of Patent:** **** May 11, 2010**

(54) **PLUG-IN DEVICES**

(75) Inventor: **Walter Mennekes**, Kirchhundem (DE)

(73) Assignee: **AMAD Mennekes Holding GmbH & Co. KG**, Kirchhundem (DE)

(**) Term: **14 Years**

(21) Appl. No.: **29/324,699**

(22) Filed: **Sep. 18, 2008**

(51) **LOC (9) Cl.** **13-03**

(52) **U.S. Cl.** **D13/147; D13/133**

(58) **Field of Classification Search** D13/133,
D13/146-147, 154, 184; 174/88 C; 439/277,
439/314, 315, 359, 362, 369, 372
See application file for complete search history.

(56) **References Cited**

U.S. PATENT DOCUMENTS

- D298,931 S * 12/1988 Sekiguchi D13/147
- D505,918 S * 6/2005 Conway et al. D13/147
- D527,346 S * 8/2006 Brodin D13/146
- D559,741 S * 1/2008 Lasher, III D12/133

- D559,785 S * 1/2008 Tosetti D13/147
- D585,837 S * 2/2009 Kuehne et al. D13/154

* cited by examiner

Primary Examiner—Daniel D Bui

(74) *Attorney, Agent, or Firm*—Henry M. Feiereisen; Ursula B. Day

(57) **CLAIM**

The ornamental design for a plug-in device, as shown and described.

DESCRIPTION

FIG. 1 is a front elevational view of a plug-in device showing my new design;

FIG. 2 is a rear elevational view thereof;

FIG. 3 is an elevational view of the right side thereof;

FIG. 4 is an elevational view of the left side thereof; and,

FIG. 5 is a perspective view thereof.

The broken line portion of the figure drawings is included to show unclaimed subject matter only and forms no part of the claimed design.

1 Claim, 5 Drawing Sheets

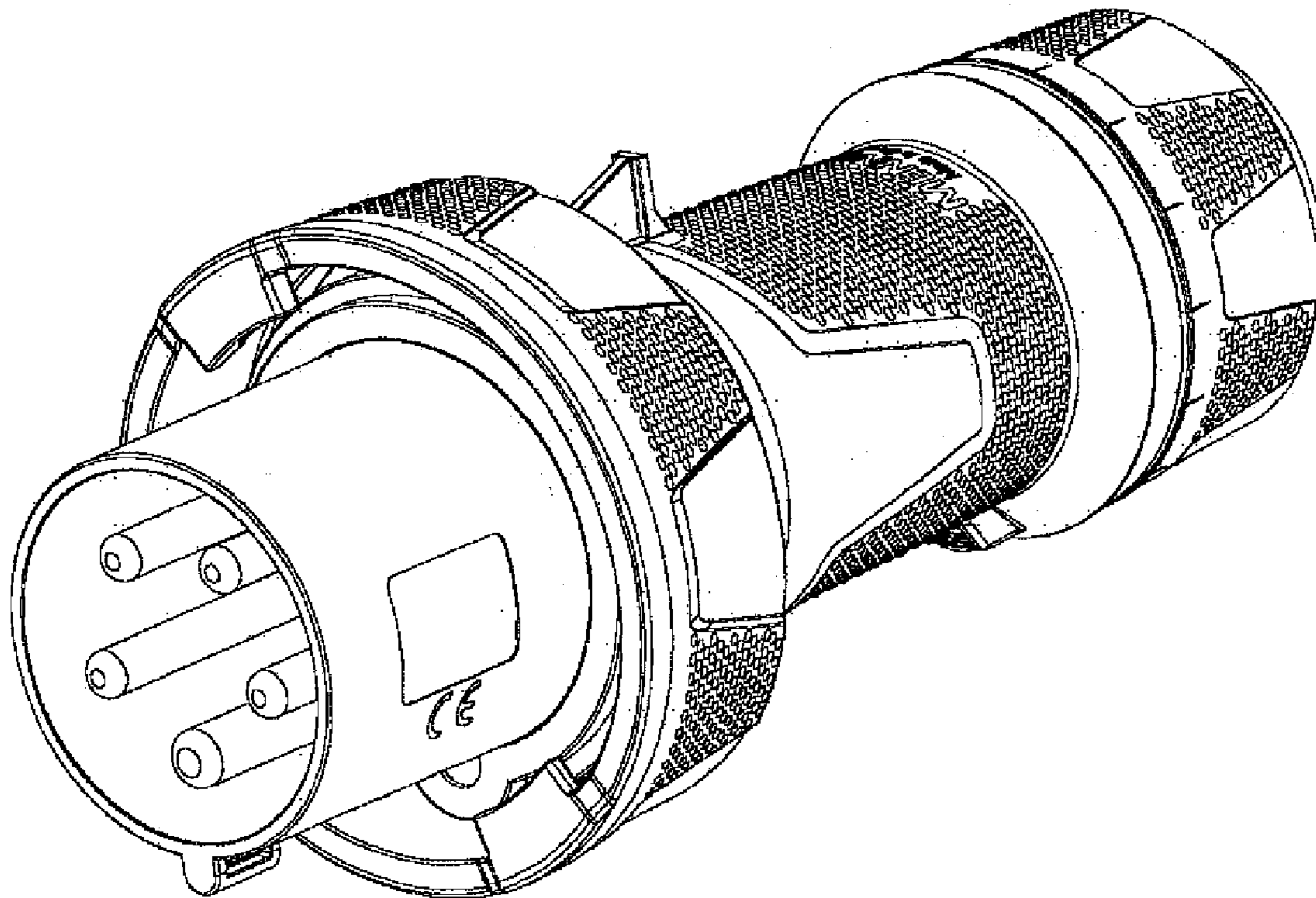


FIG. 1

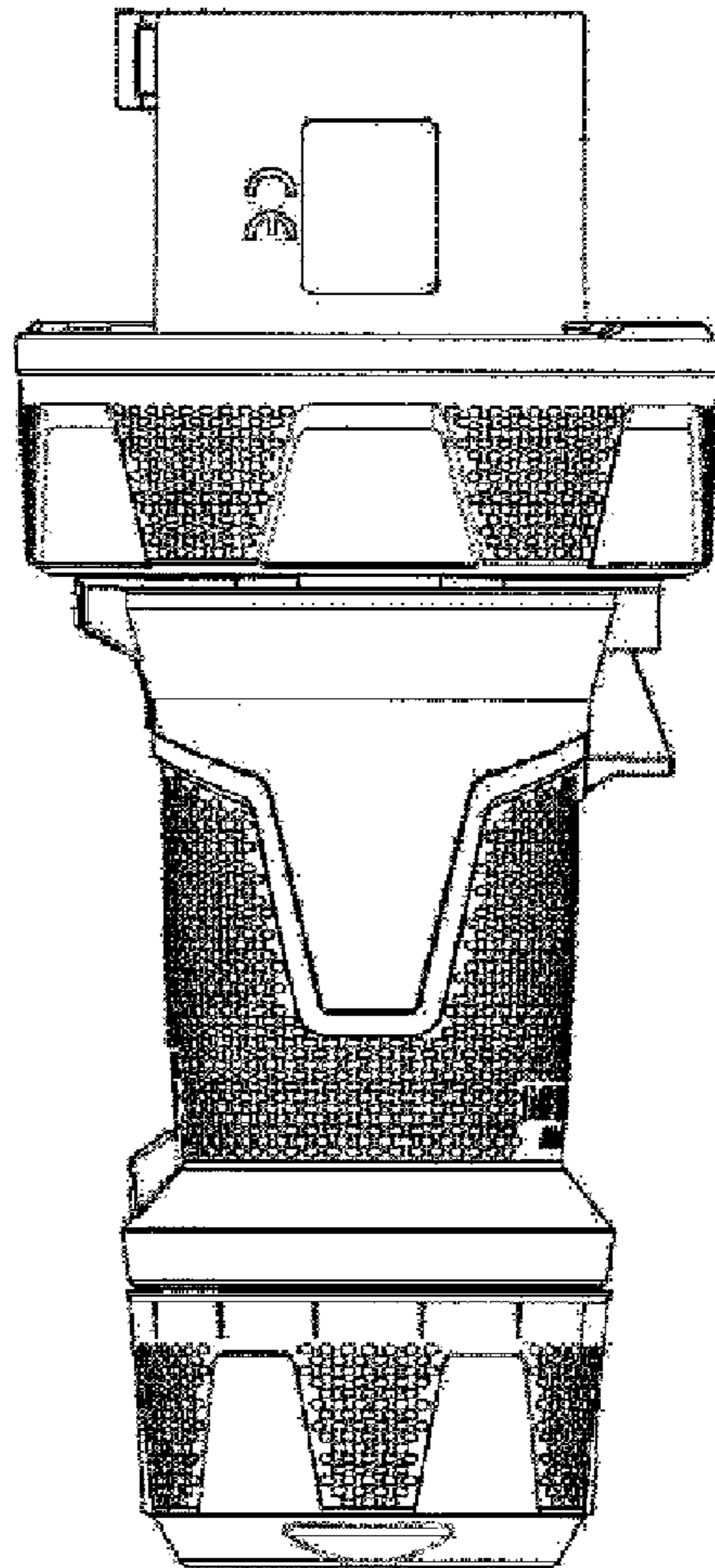


FIG. 2

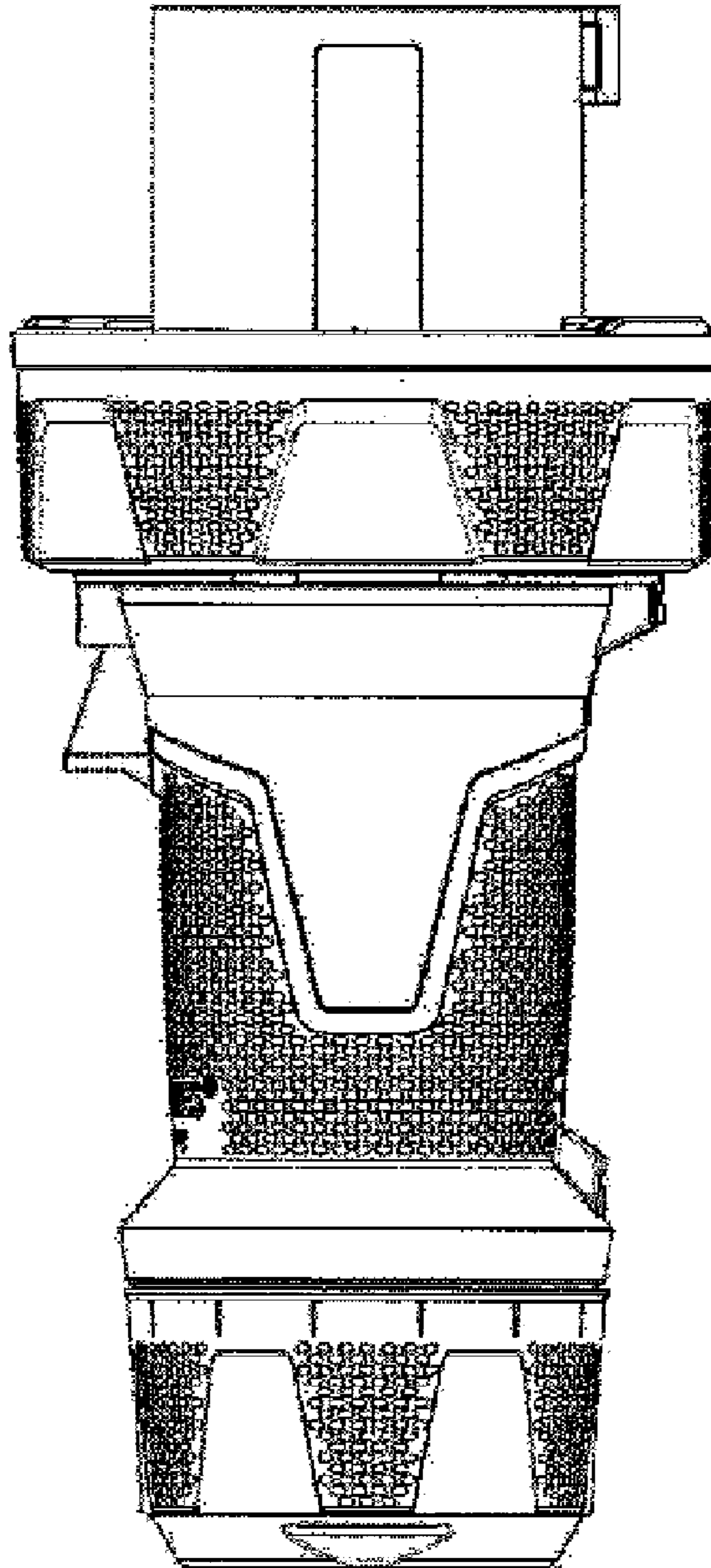


FIG. 3

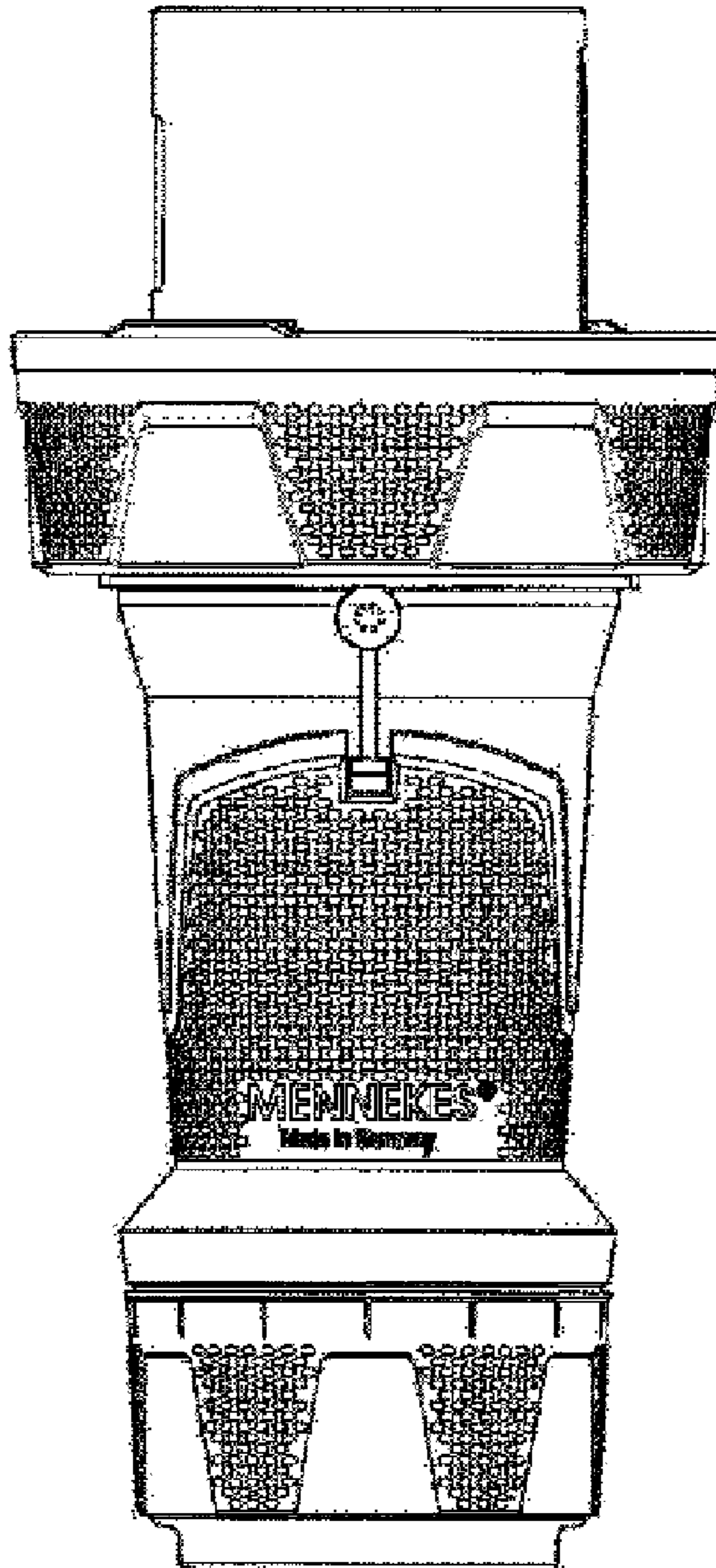


FIG. 4

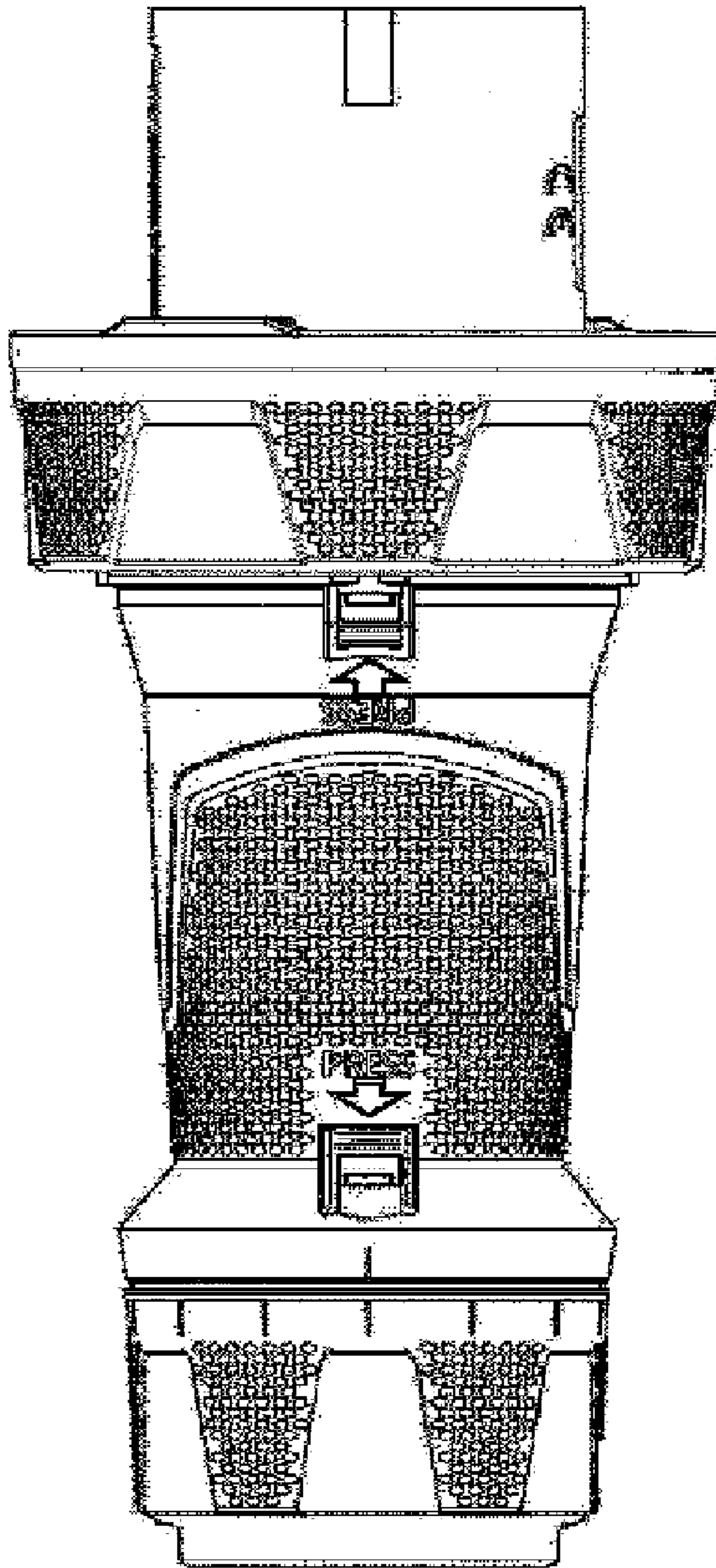


FIG. 5

