



US00D615495S

(12) **United States Design Patent**  
**Tay**

(10) **Patent No.:** **US D615,495 S**

(45) **Date of Patent:** **\*\* May 11, 2010**

(54) **RIGHT ANGLE SATA RECEPTACLE ELECTRICAL CONNECTOR**

*Primary Examiner*—Daniel D Bui

(75) **Inventor:** **Koon Poh Tay**, Singapore (SG)

(74) *Attorney, Agent, or Firm*—Harrington & Smith

(73) **Assignee:** **FCI**, Versailles (FR)

(57) **CLAIM**

(\*\*) **Term:** **14 Years**

The ornamental design for a right angle SATA receptacle electrical connector, as shown and described.

(21) **Appl. No.:** **29/315,475**

(22) **Filed:** **Jun. 29, 2009**

**DESCRIPTION**

(30) **Foreign Application Priority Data**

Dec. 31, 2008 (CN) ..... 2008 3 0359624

FIG. 1 is a front, top and right side perspective view of a right angle SATA receptacle electrical connector showing my new design;

(51) **LOC (9) Cl.** ..... **13-03**

(52) **U.S. Cl.** ..... **D13/147**

FIG. 2 is a rear, top and left side perspective view thereof;

(58) **Field of Classification Search** ..... D13/133,  
D13/146–147, 154, 184; 439/62, 260, 329,  
439/395, 422, 495, 499, 607–610

FIG. 3 is a front side elevational view thereof;

See application file for complete search history.

FIG. 4 is a rear side elevational view thereof;

FIG. 5 is a bottom side plan view thereof;

(56) **References Cited**

**U.S. PATENT DOCUMENTS**

D489,330 S \* 5/2004 Li et al. .... D13/147

D491,148 S \* 6/2004 Zhao et al. .... D13/147

D569,347 S \* 5/2008 Conn ..... D13/154

FIG. 6 is a top side plan view thereof;

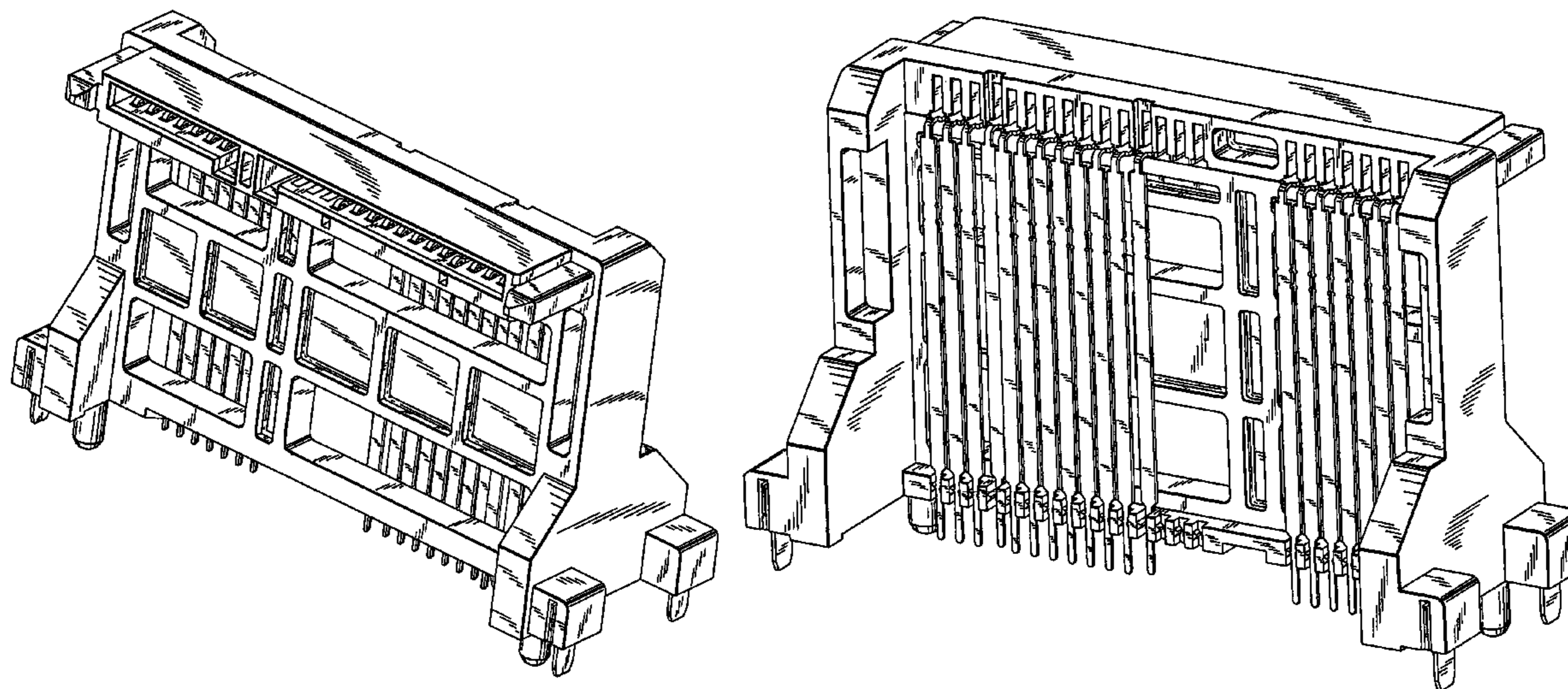
FIG. 7 is a left side elevational view thereof, on a larger scale;

and,

FIG. 8 is a right side elevational view thereof, on a larger scale.

\* cited by examiner

**1 Claim, 7 Drawing Sheets**



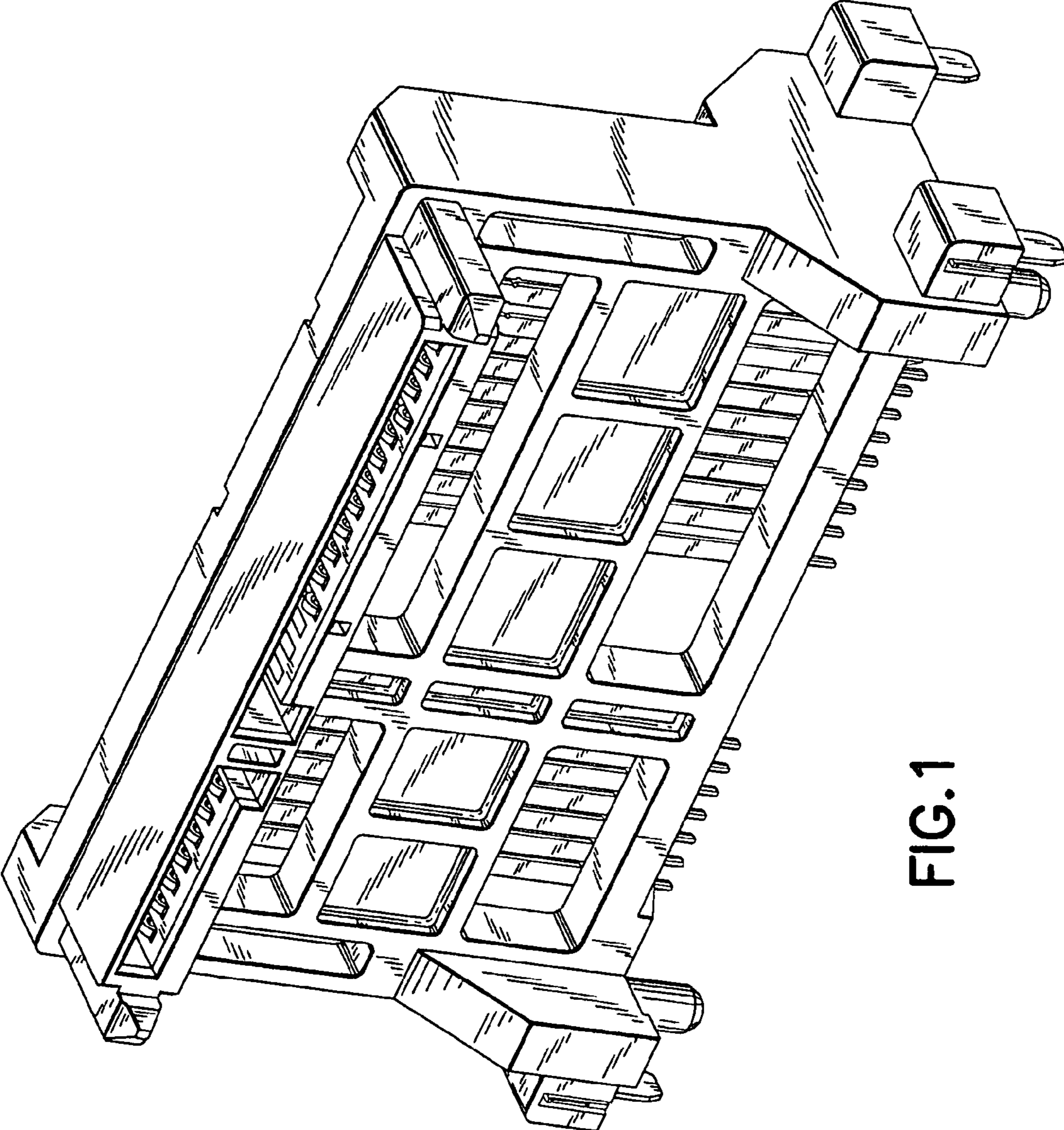


FIG.1

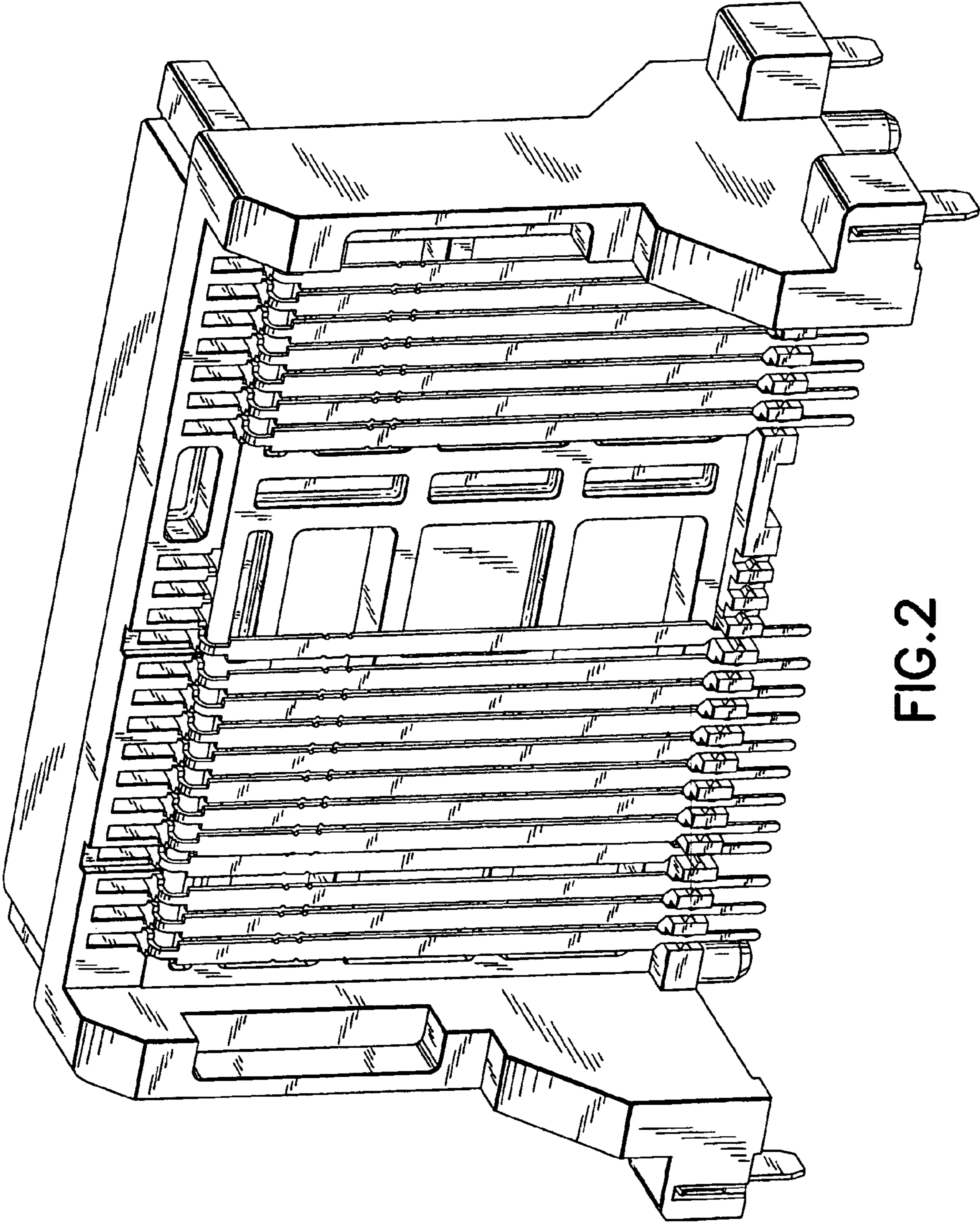
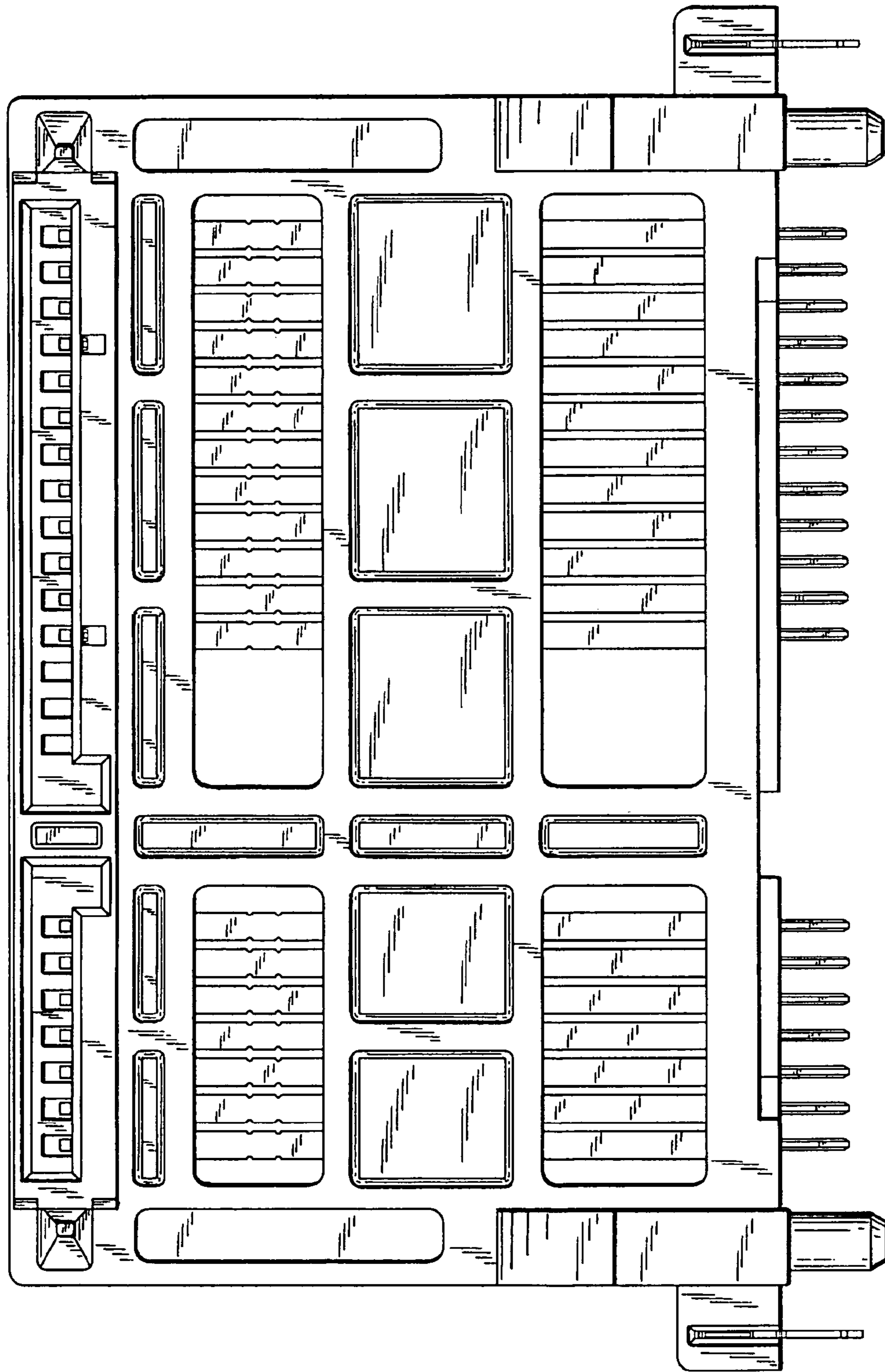


FIG.2

FIG. 3



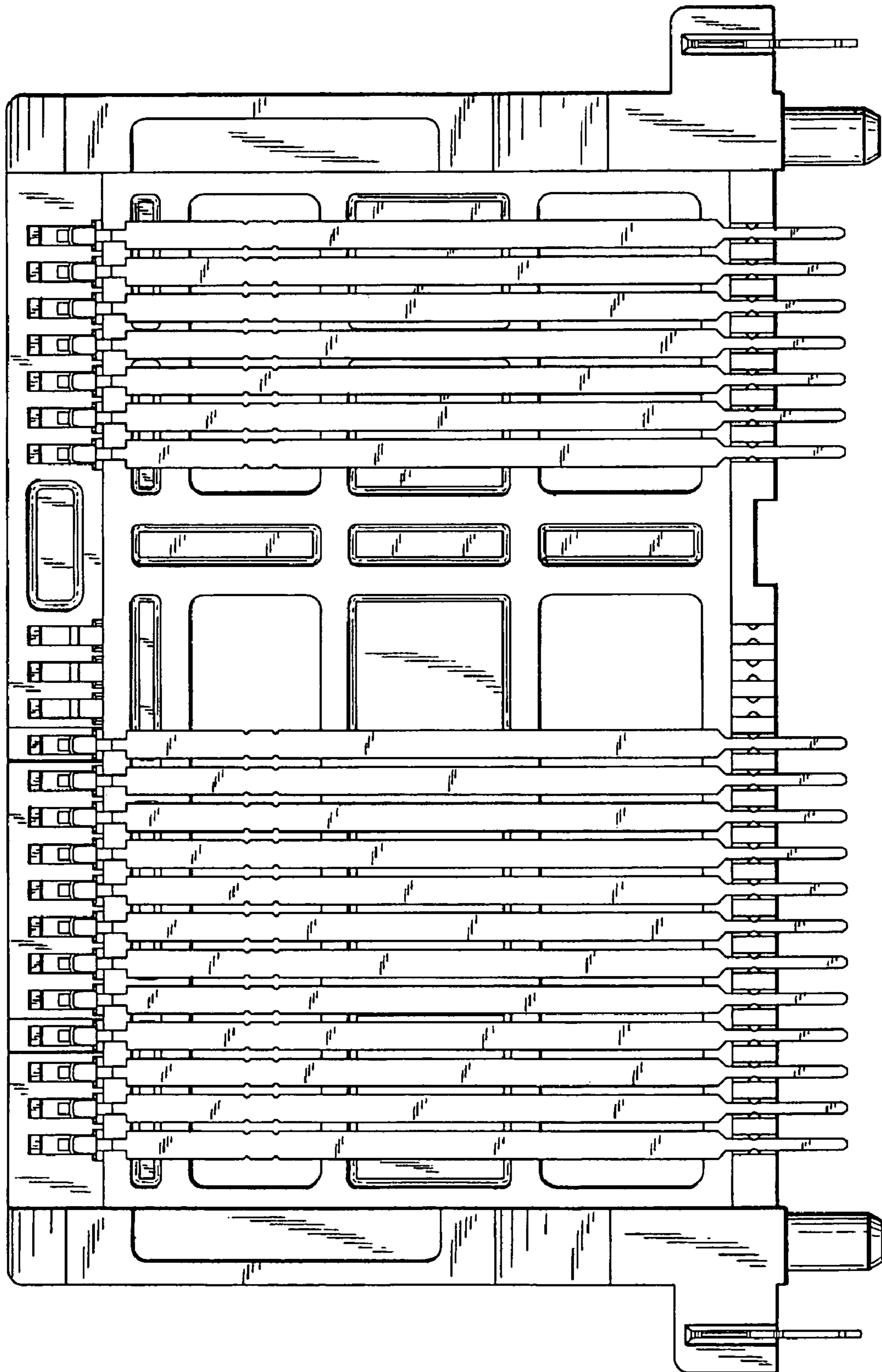


FIG. 4

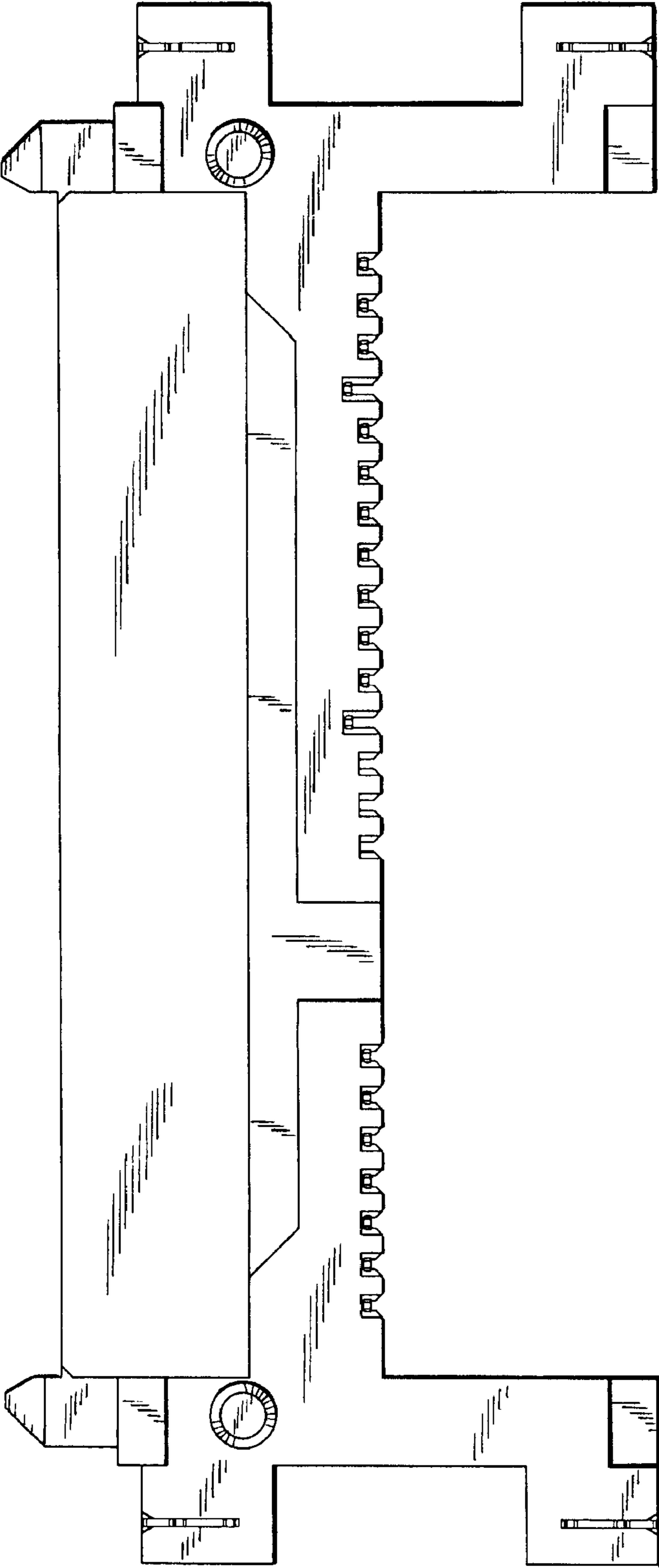


FIG. 5

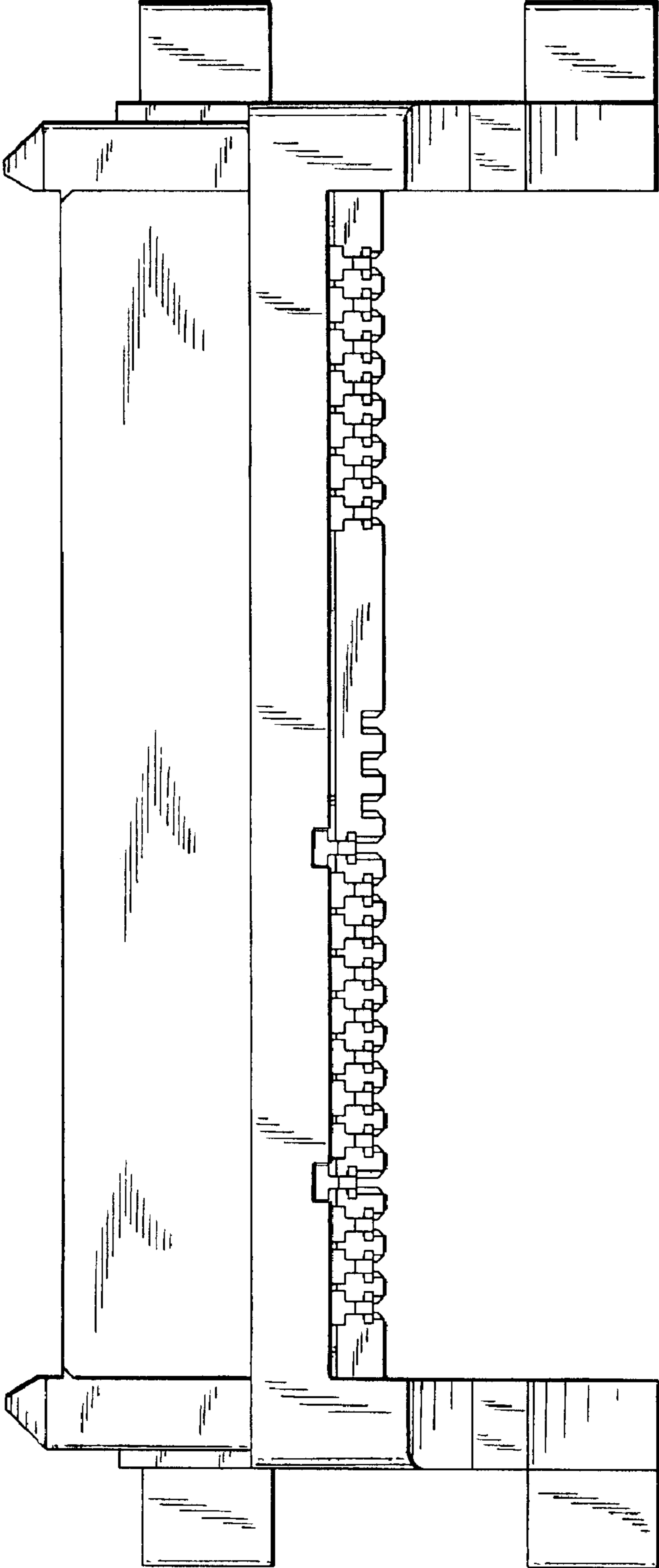


FIG. 6

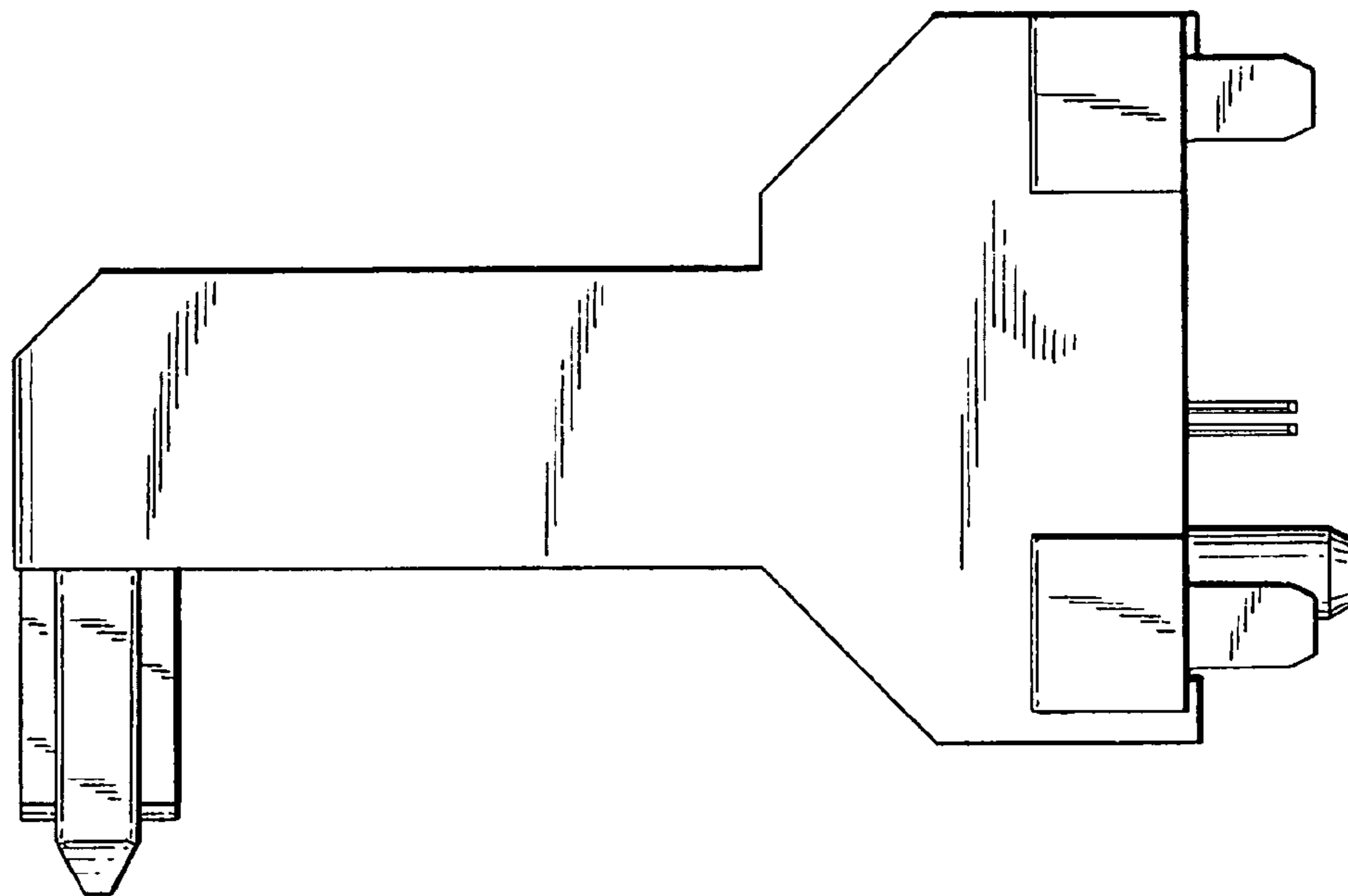


FIG. 8

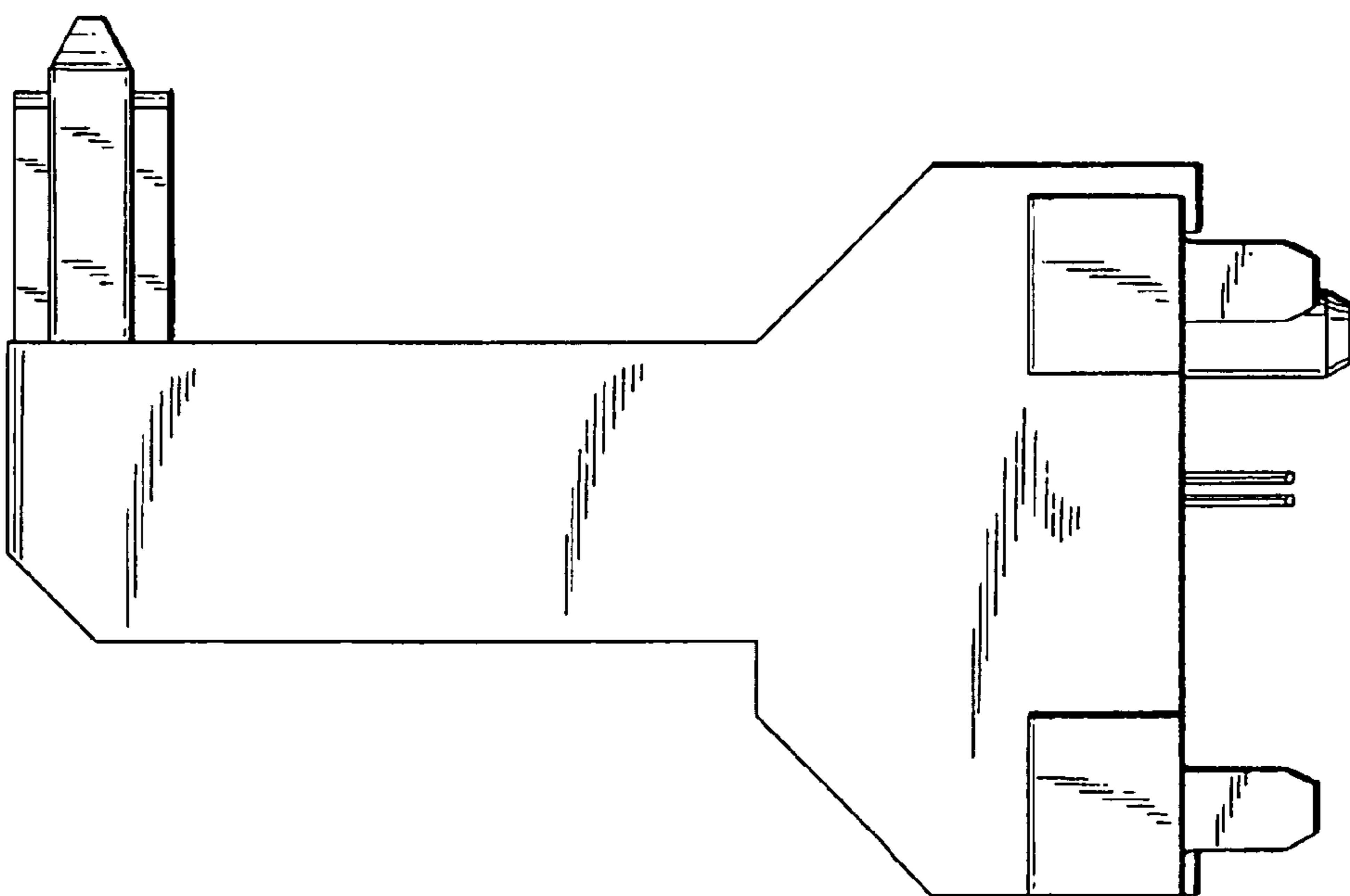


FIG. 7