



US00D615494S

(12) **United States Design Patent**
Yang

(10) **Patent No.:** **US D615,494 S**

(45) **Date of Patent:** **** May 11, 2010**

(54) **BATTERY CONNECTOR CONTACT**

(75) Inventor: **Chih-Lin Yang**, Taipei (TW)

(73) Assignee: **Cheng Uei Precision Industry Co., Ltd.**, Taipei (TW)

(**) Term: **14 Years**

(21) Appl. No.: **29/350,415**

(22) Filed: **Nov. 17, 2009**

(51) **LOC (9) Cl.** **13-03**

(52) **U.S. Cl.** **D13/120; D13/154**

(58) **Field of Classification Search** D13/103–106,
D13/118–121, 133, 154, 146–147, 180, 184,
D13/199; 439/83, 108, 166, 500, 577, 630,
439/660, 680, 700, 773.1, 862, 884–887,
439/890–891, 893; 429/96–100, 163, 186;
362/382, 457, 545

See application file for complete search history.

(56) **References Cited**

U.S. PATENT DOCUMENTS

D390,191 S *	2/1998	Byfield, Jr.	D13/147
D509,801 S *	9/2005	Sweeney	D13/154
D516,520 S *	3/2006	Sweeney	D13/154
D523,820 S *	6/2006	Sweeney	D13/154
D524,247 S *	7/2006	Sweeney	D13/154
D524,248 S *	7/2006	Sweeney	D13/154
D524,757 S *	7/2006	Sweeney	D13/154

D524,758 S *	7/2006	Sweeney	D13/154
D525,209 S *	7/2006	Sweeney	D13/154
D527,348 S *	8/2006	Sweeney	D13/154
D530,285 S *	10/2006	Sweeney	D13/154
D531,131 S *	10/2006	Sweeney	D13/154
D552,559 S *	10/2007	Sanroma et al.	D13/154
D555,598 S *	11/2007	Sanroma et al.	D13/154
D568,247 S *	5/2008	Ho et al.	D13/133
D596,583 S *	7/2009	Teranishi et al.	D13/154

* cited by examiner

Primary Examiner—Rosemary K Tarca

(57) **CLAIM**

The ornamental design for battery connector contact, as shown and described.

DESCRIPTION

FIG. 1 is a perspective view of battery connector contact showing my new design;

FIG. 2 is a front elevational view thereof;

FIG. 3 is a rear elevational view thereof;

FIG. 4 is a left side elevational view thereof;

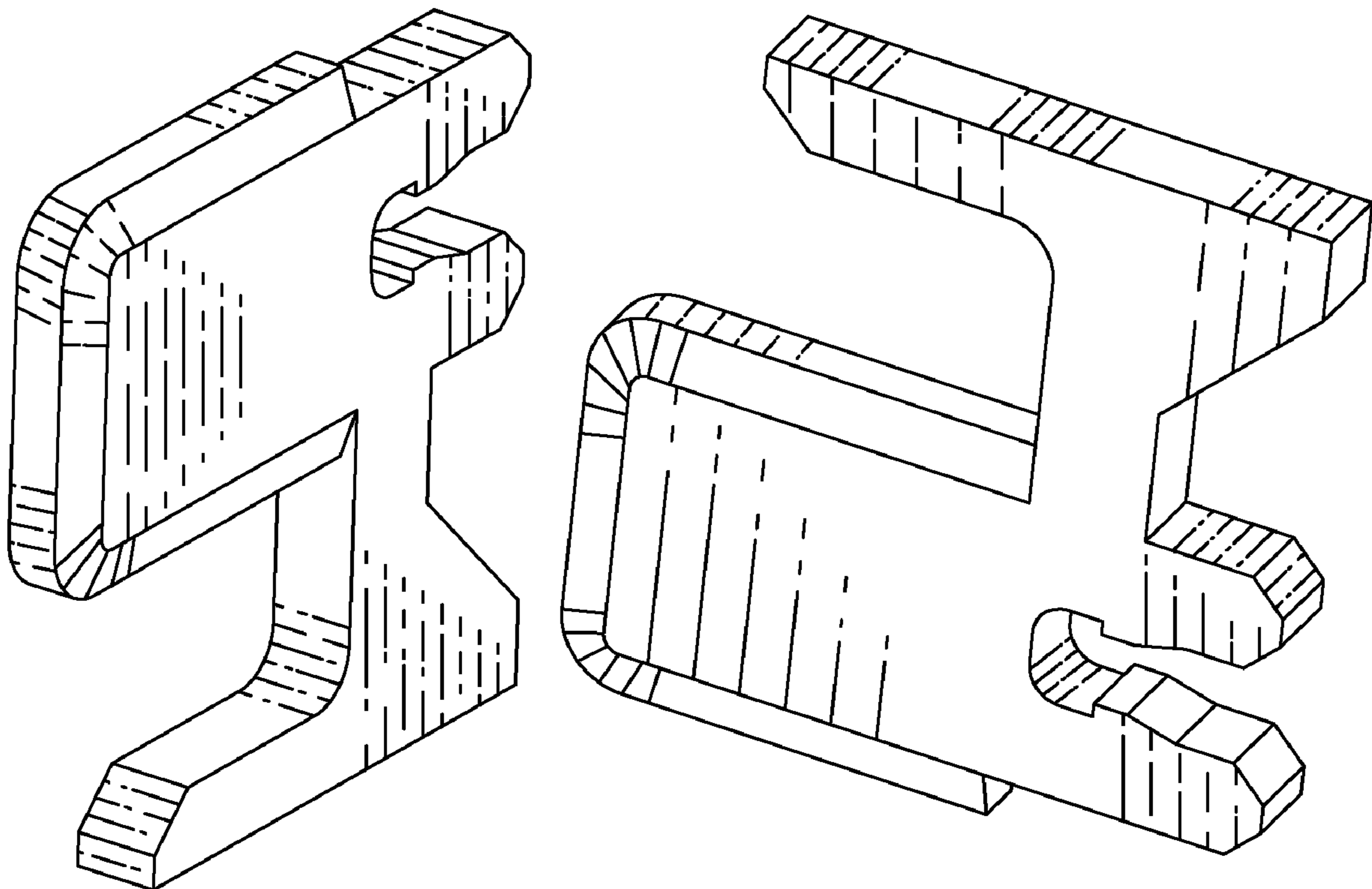
FIG. 5 is a right side elevational view thereof;

FIG. 6 is a top plan view thereof;

FIG. 7 is a bottom plan view thereof; and,

FIG. 8 is another perspective view of the battery connector contact showing my new design.

1 Claim, 8 Drawing Sheets



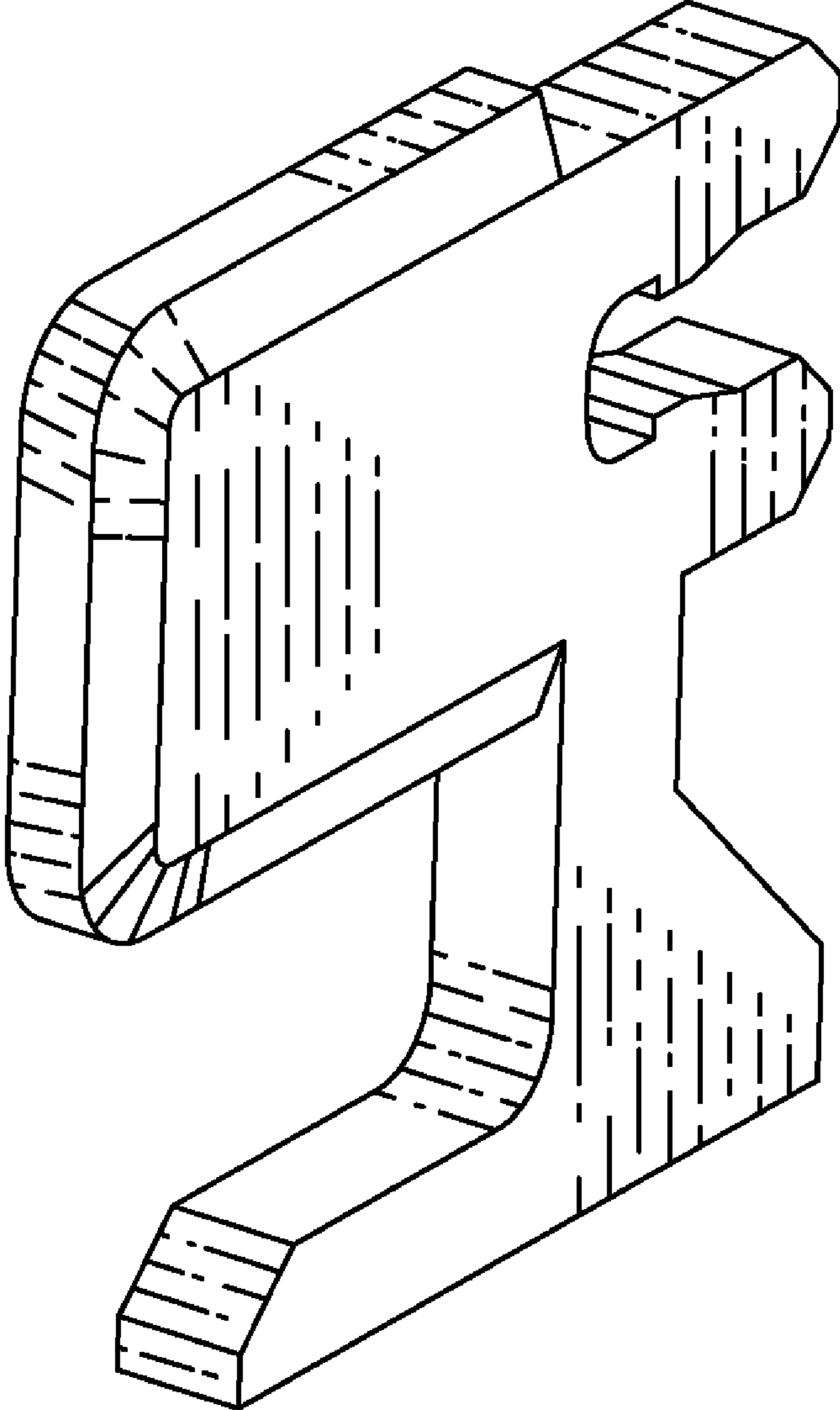


FIG. 1

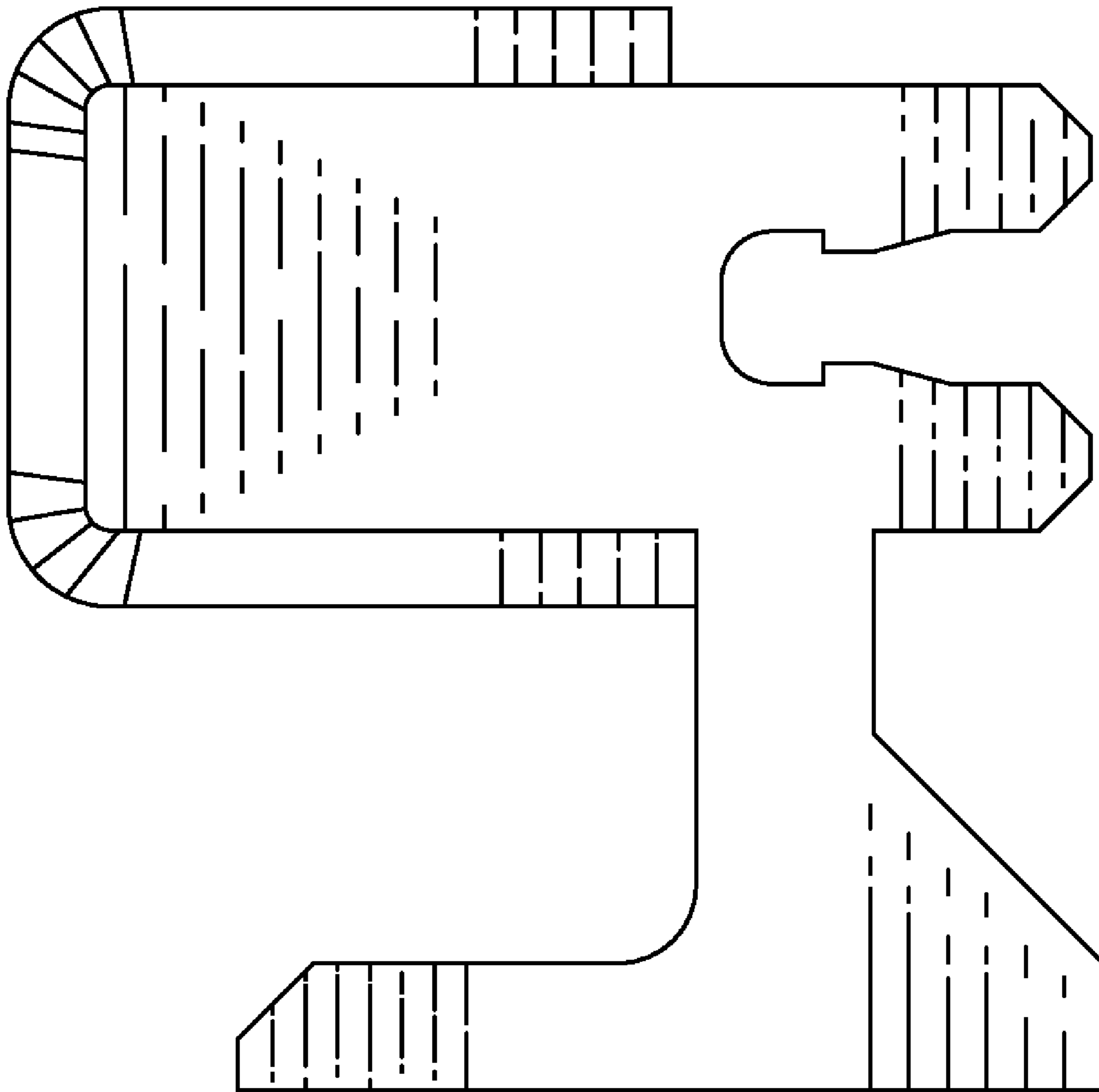


FIG. 2

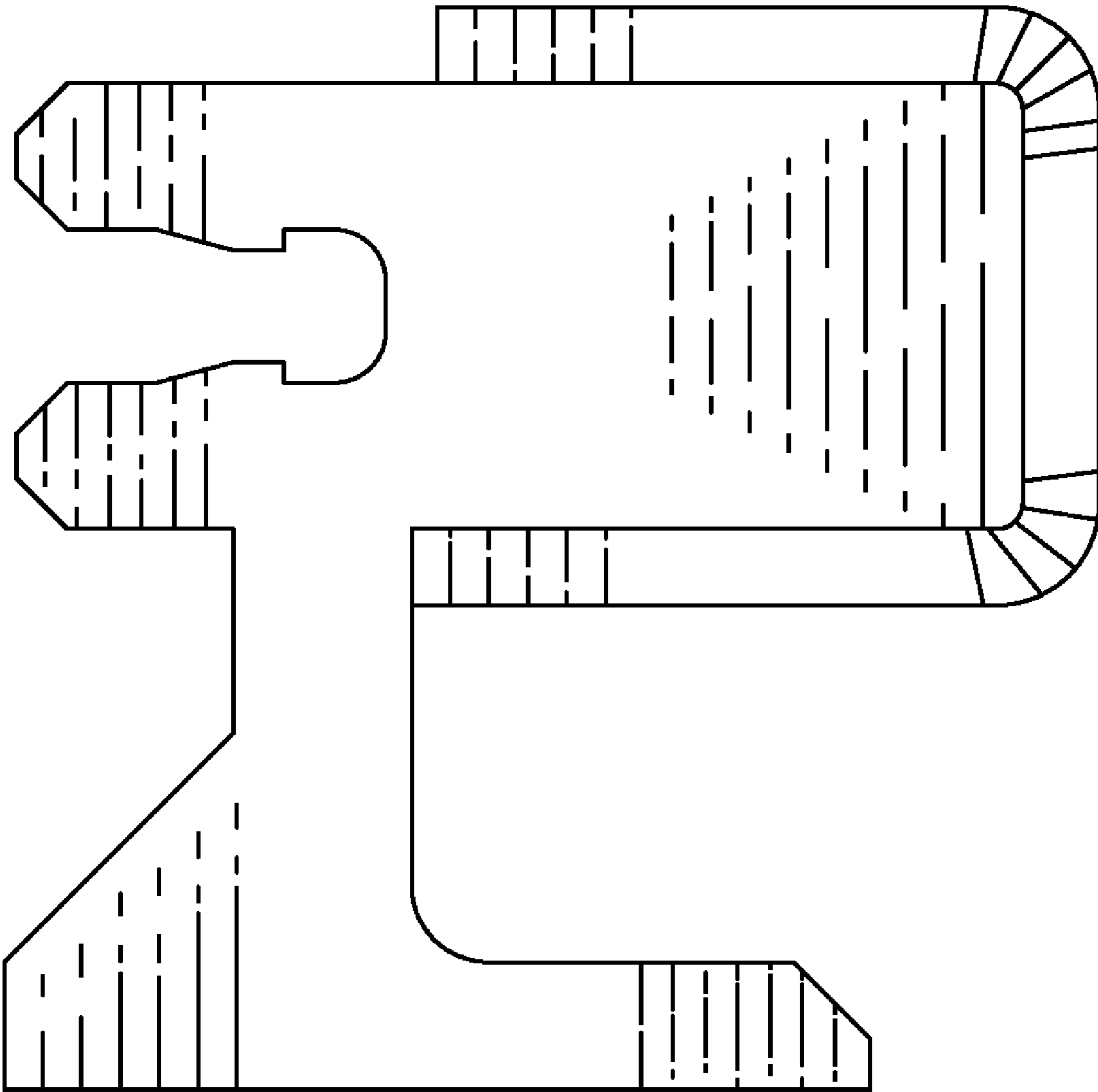


FIG. 3

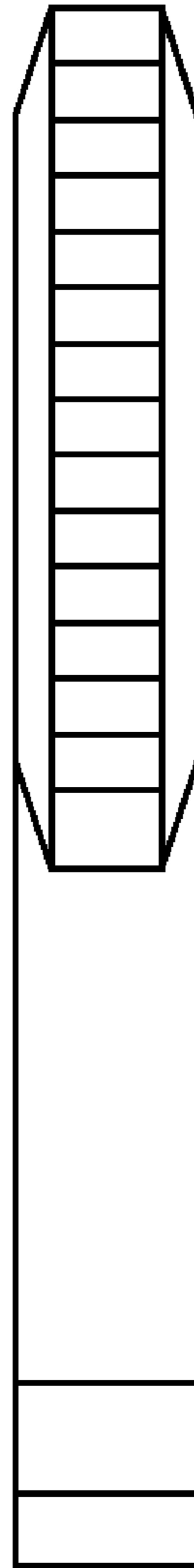


FIG. 4

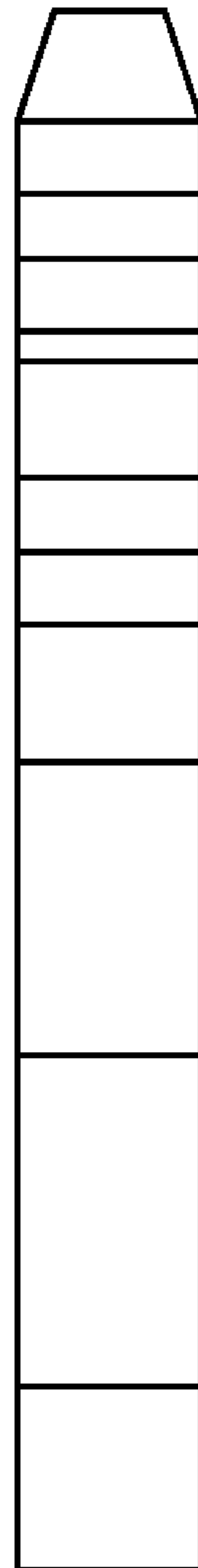


FIG. 5

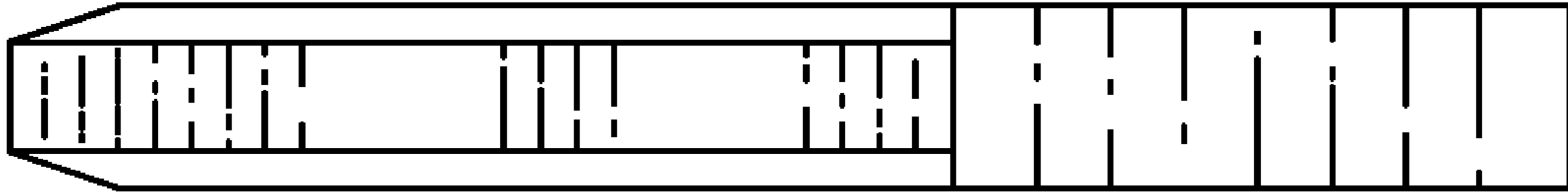


FIG. 6



FIG. 7

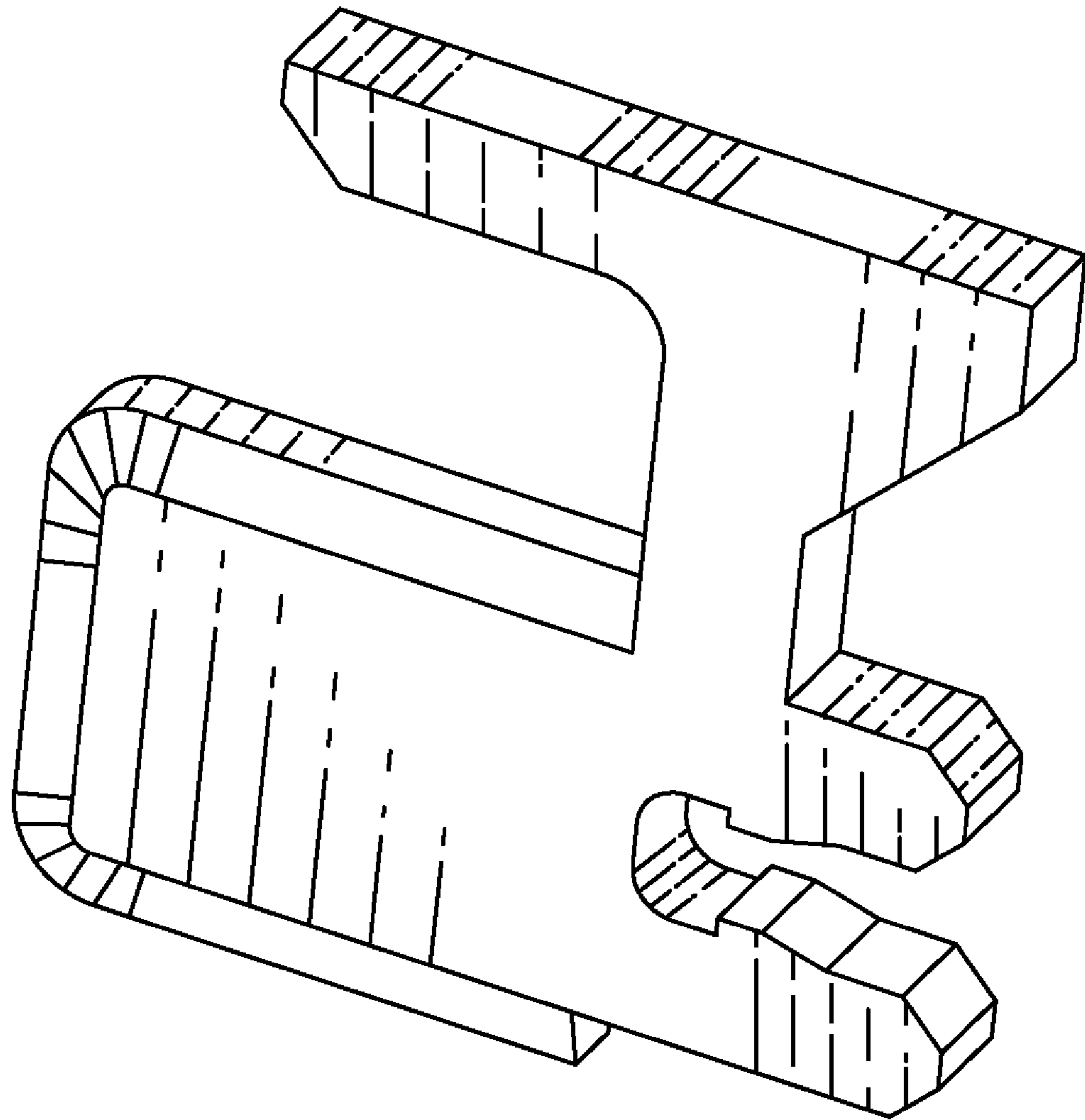


FIG. 8