



US00D615492S

(12) **United States Design Patent**
Mibayashi

(10) **Patent No.:** **US D615,492 S**

(45) **Date of Patent:** **** May 11, 2010**

(54) **POWER-SUPPLY UNIT**

D465,453 S * 11/2002 Chan D13/110
D502,812 S * 3/2005 Zimmerman D3/297
D517,507 S * 3/2006 Johnson et al. D13/184

(75) Inventor: **Kazuhiko Mibayashi**, Kyoto (JP)

(73) Assignee: **Shiseido Co., Ltd.**, Tokyo (JP)

(**) Term: **14 Years**

(21) Appl. No.: **29/347,171**

(22) Filed: **Oct. 15, 2009**

(51) **LOC (9) Cl.** **13-02**

(52) **U.S. Cl.** **D13/110**

(58) **Field of Classification Search** D13/110,
D13/101, 123, 162, 184, 199; D3/201, 273,
D3/297; D6/396, 448, 494, 510; D9/420,
D9/424, 432; D14/301, 351, 355; 307/150;
361/601, 622, 695, 730; 363/144

See application file for complete search history.

(56) **References Cited**

U.S. PATENT DOCUMENTS

D267,796 S * 2/1983 Litt et al. D13/110
D330,888 S * 11/1992 Worley D13/184
D353,800 S * 12/1994 Lewis et al. D13/184
D367,042 S * 2/1996 Morrow et al. D13/184
D372,378 S * 8/1996 Kruger D6/448
D390,532 S * 2/1998 Su D13/110
5,790,372 A * 8/1998 Dewey et al. 361/679.58
D425,493 S * 5/2000 Cutright et al. D13/184
6,215,664 B1 * 4/2001 Hernandez et al. 361/725
6,247,767 B1 * 6/2001 Liu et al. 312/223.2
6,270,046 B1 * 8/2001 Liu et al. 248/231.9

* cited by examiner

Primary Examiner—Prabhakar Deshmukh

Assistant Examiner—Derrick Holland

(74) *Attorney, Agent, or Firm*—Manabu Kanesaka

(57) **CLAIM**

The ornamental design for a power-supply unit, as shown and described.

DESCRIPTION

FIG. 1 is a front perspective view of a power-supply unit showing my new design;

FIG. 2 is a back perspective view thereof;

FIG. 3 is a front view thereof;

FIG. 4 is a rear view thereof;

FIG. 5 is a top view thereof;

FIG. 6 is a bottom view thereof;

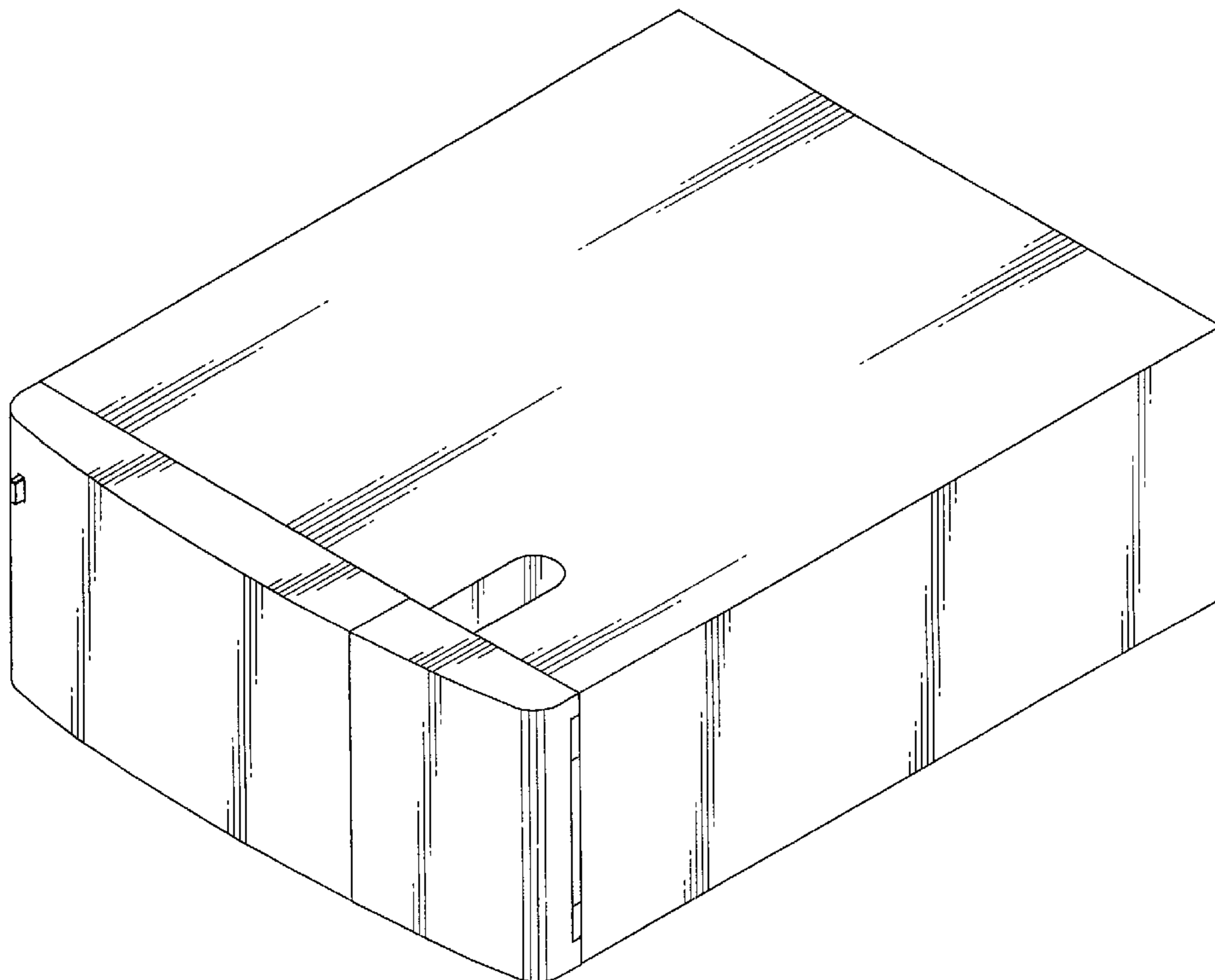
FIG. 7 is a right side view thereof;

FIG. 8 is a left side view thereof; and,

FIG. 9 is a perspective view thereof, wherein a cover is opened.

The broken lines shown are for illustrative purposes and form no part of the claimed design.

1 Claim, 7 Drawing Sheets



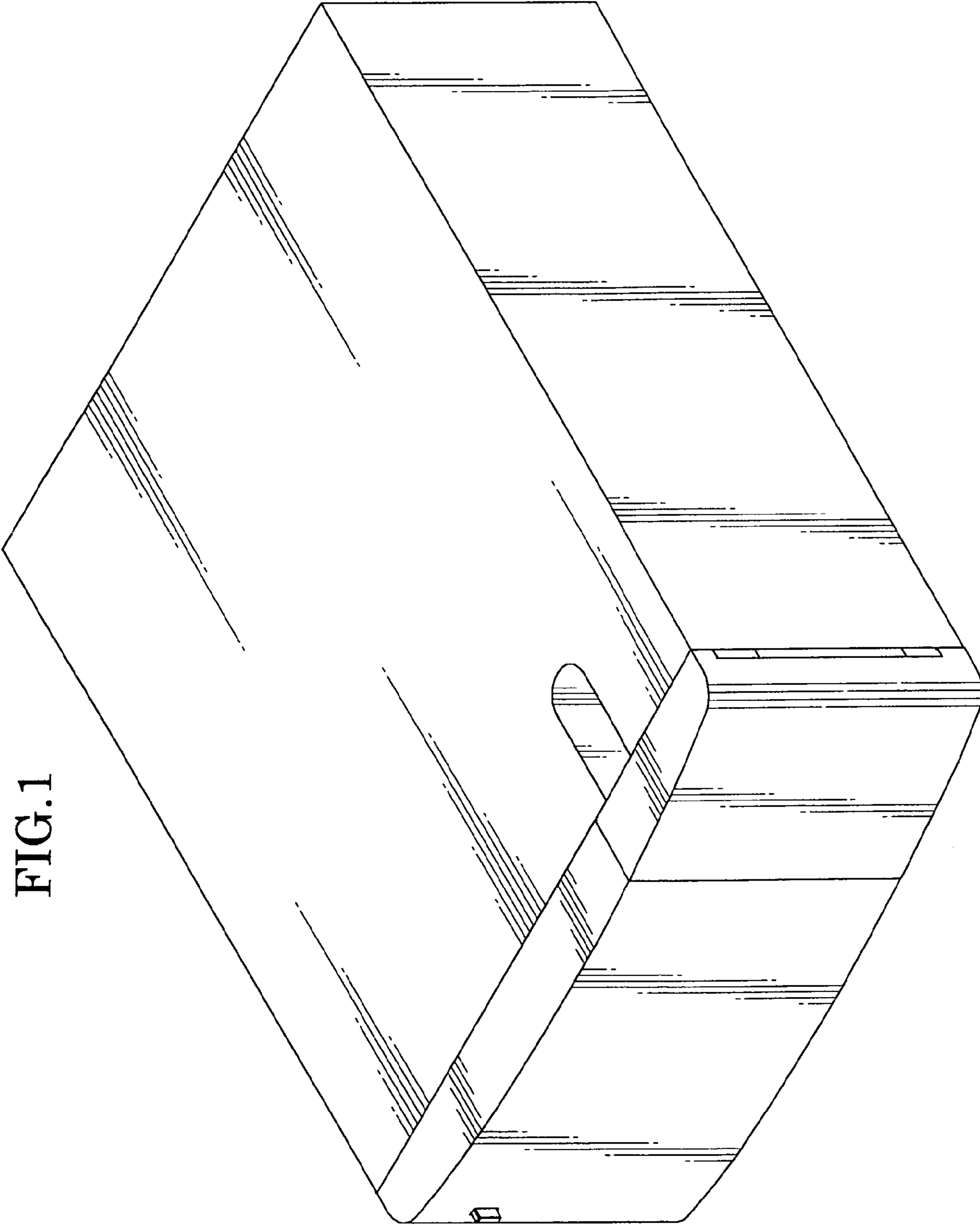


FIG.1

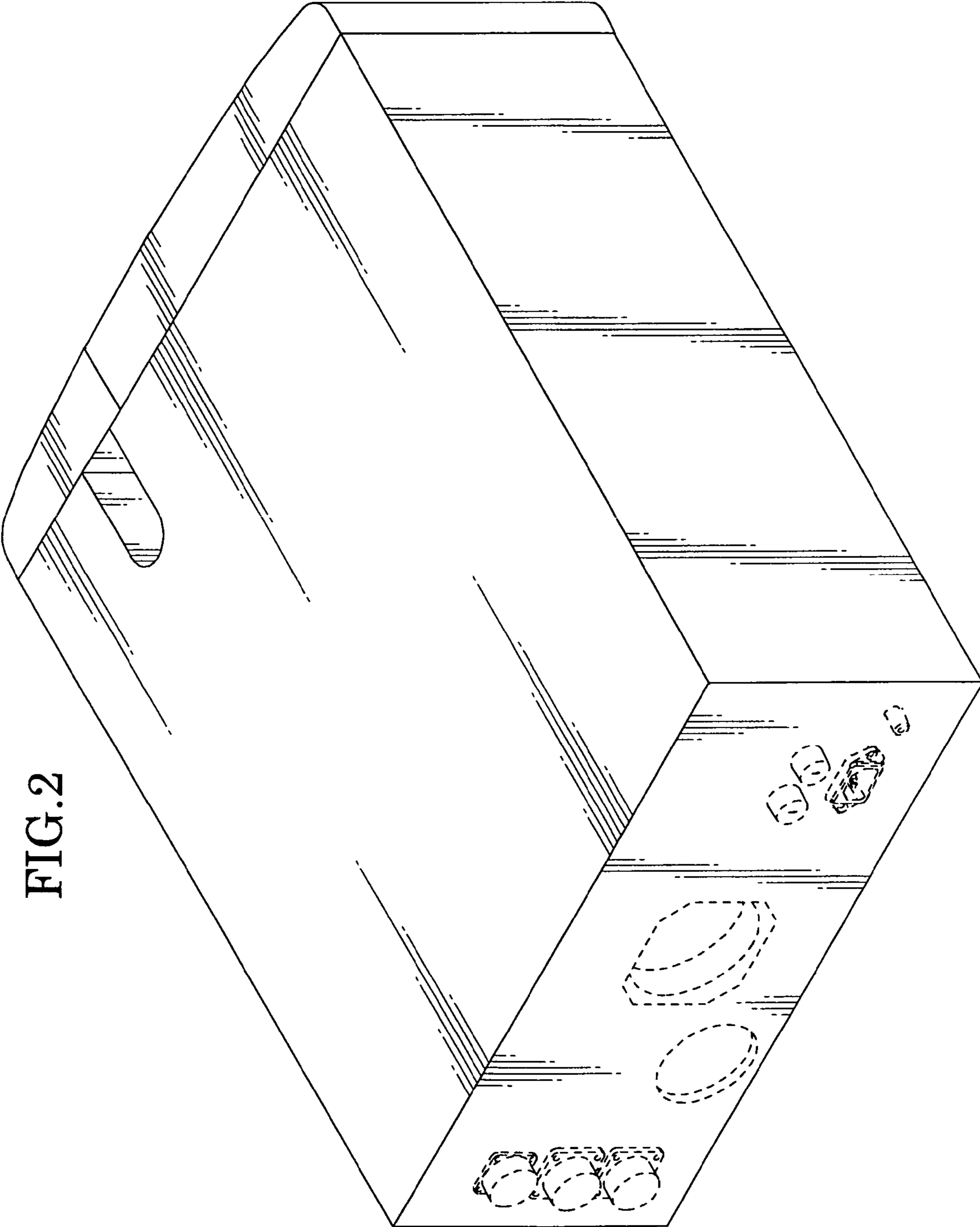


FIG. 2

FIG.3

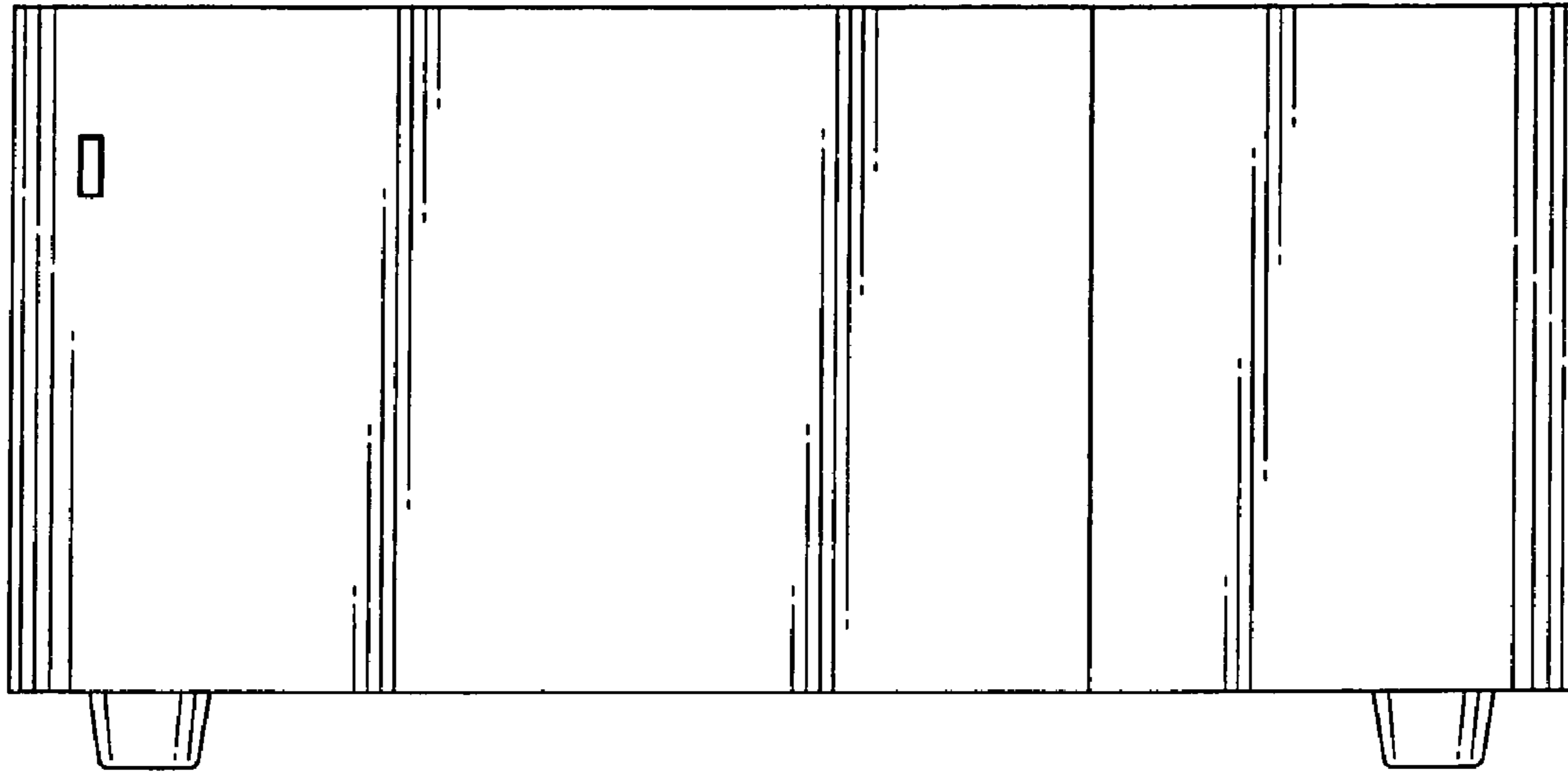


FIG.4

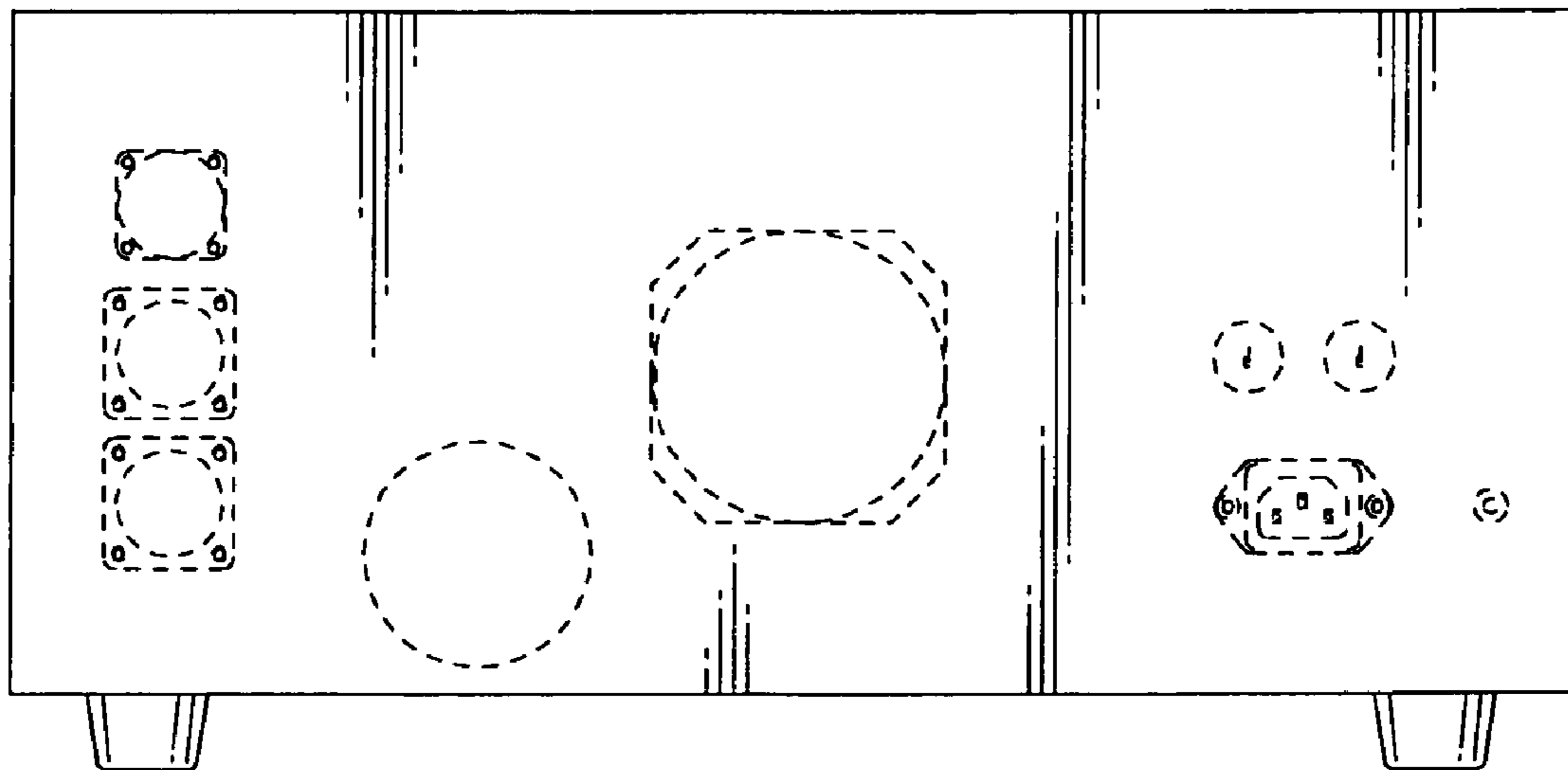


FIG. 5

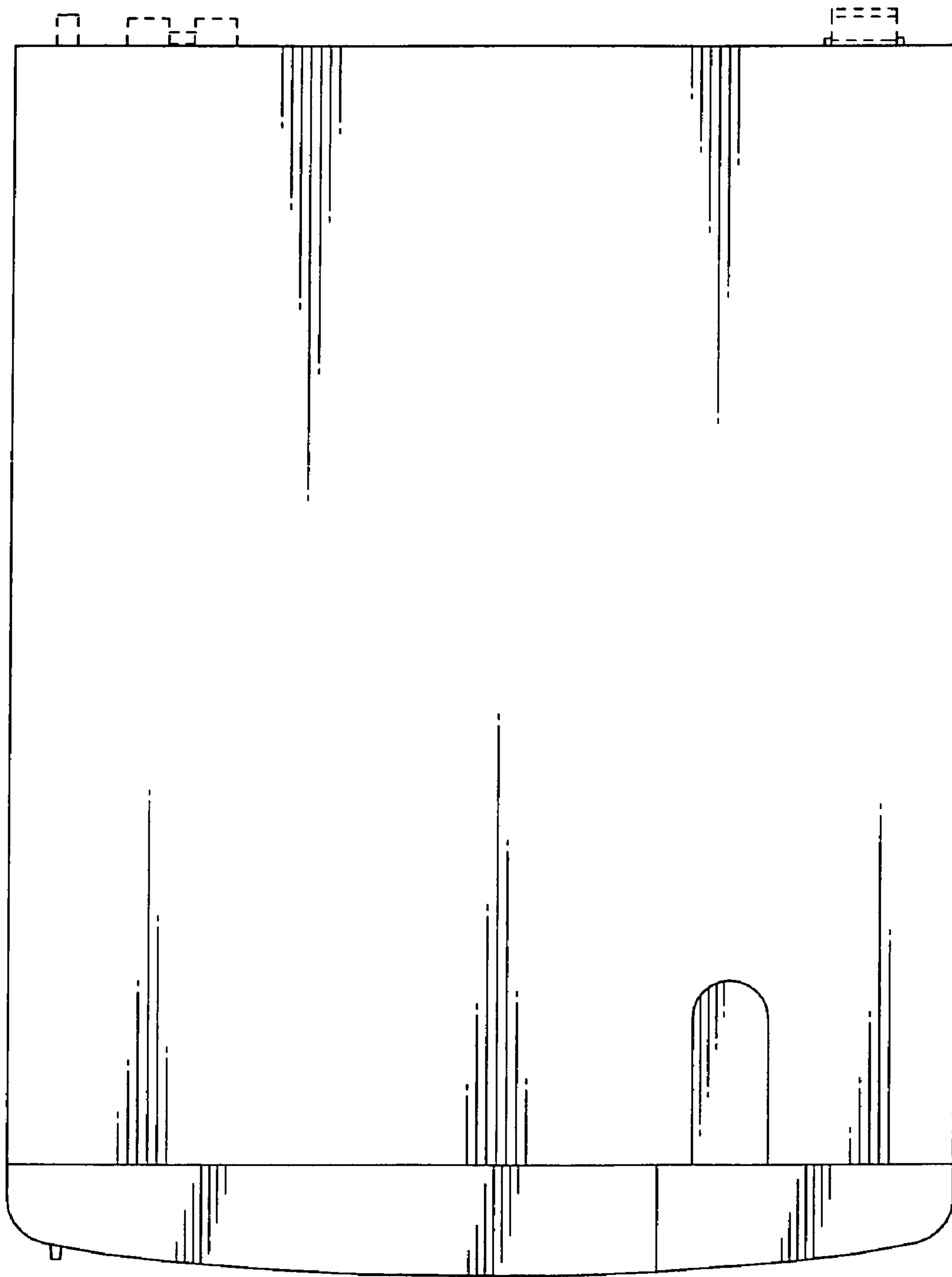


FIG. 6

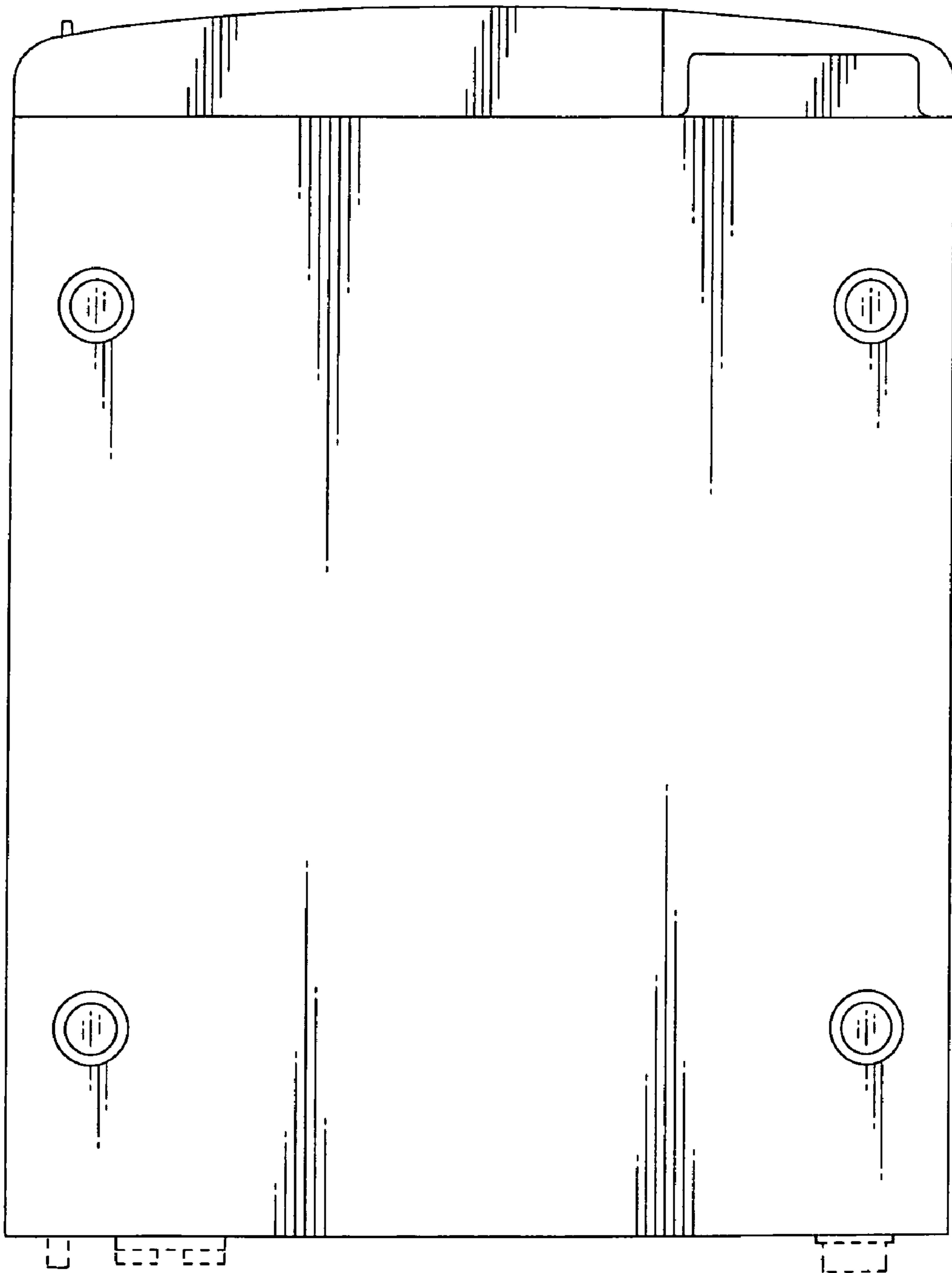


FIG.7

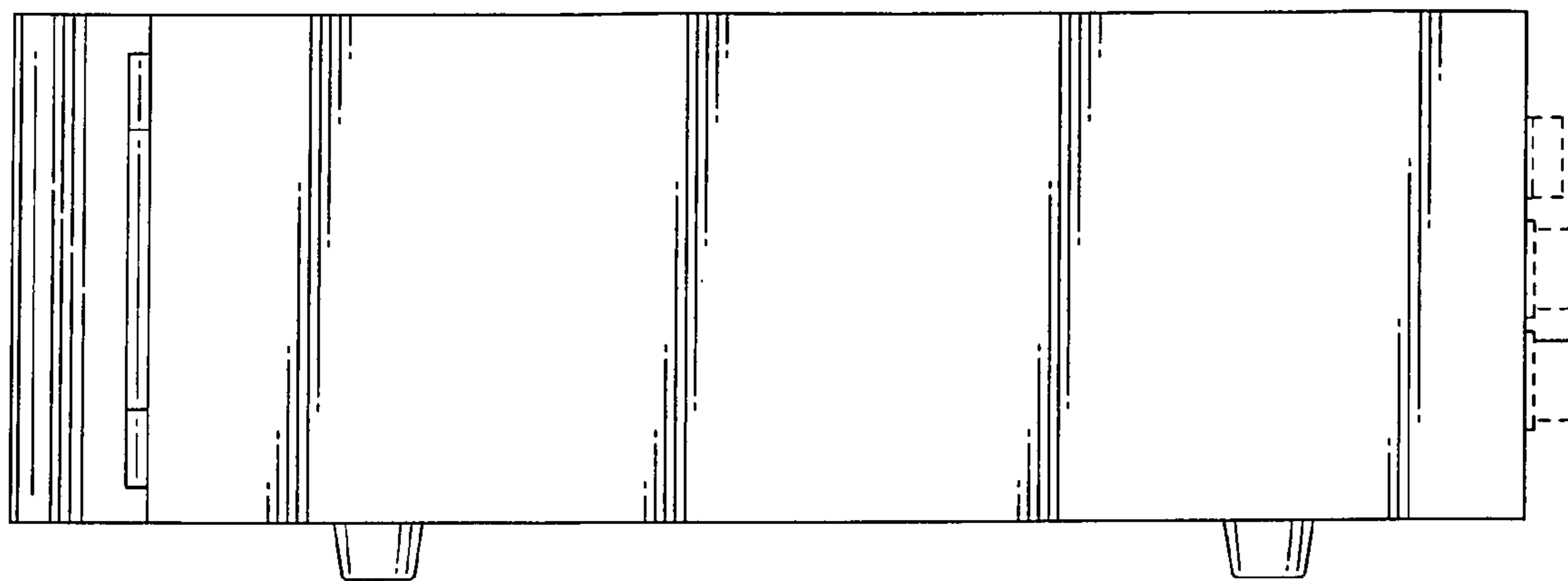
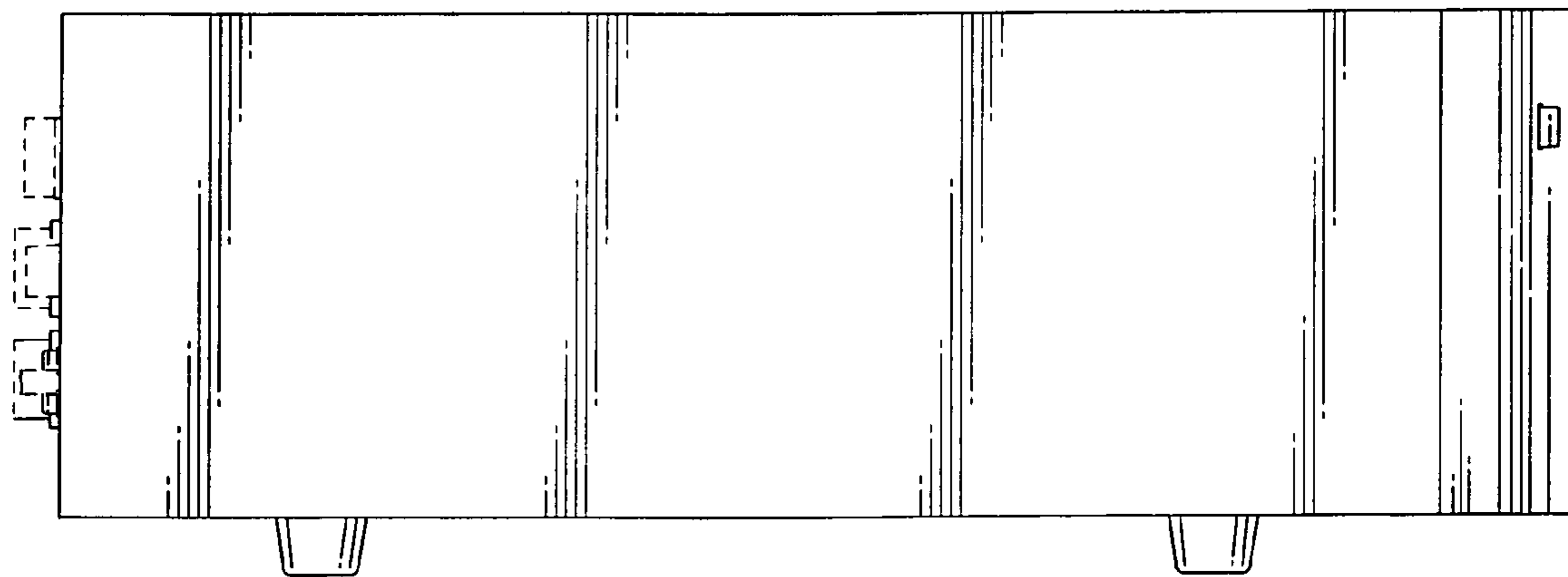


FIG.8



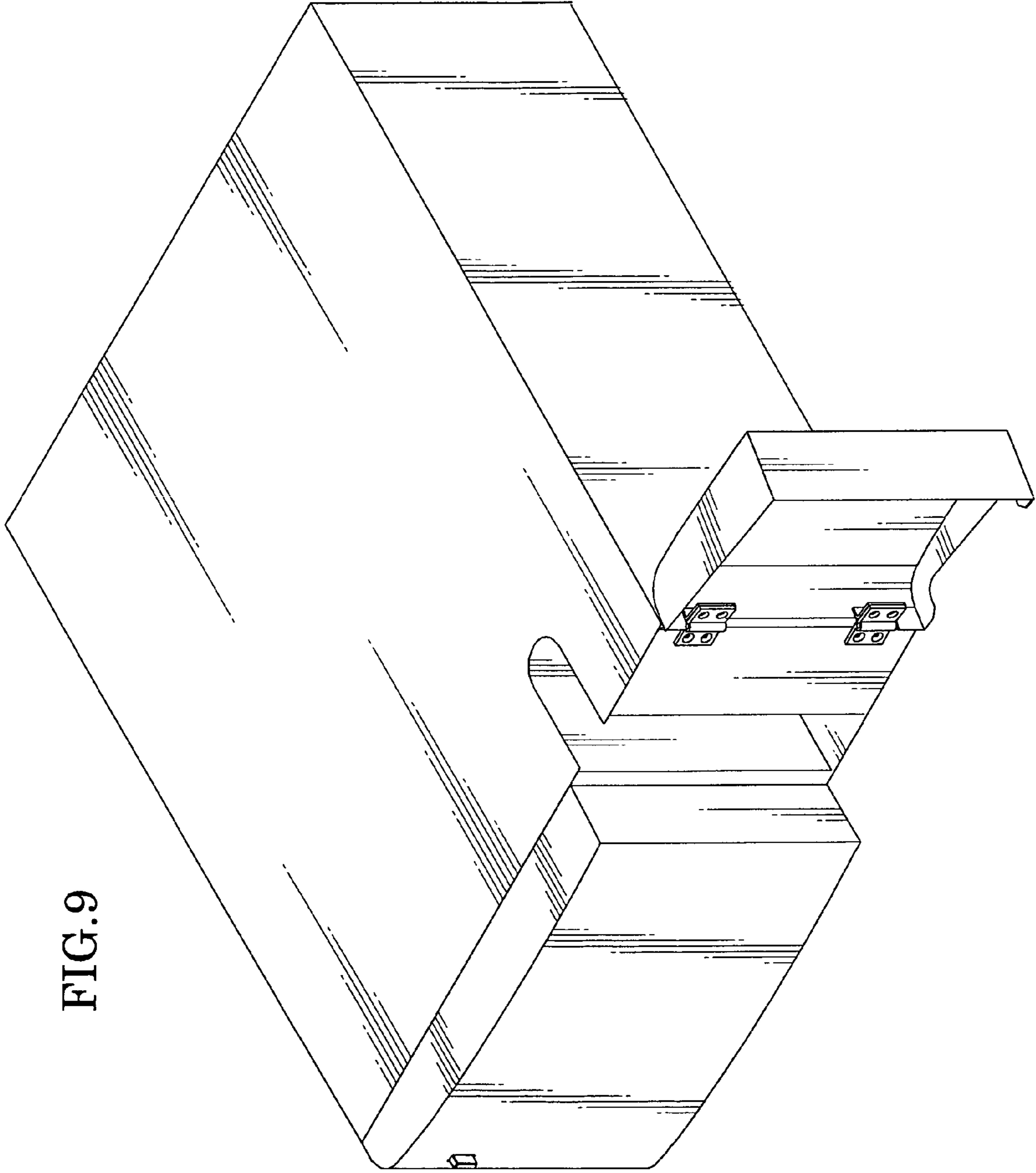


FIG. 9