



US00D615490S

(12) **United States Design Patent**
Chien

(10) **Patent No.:** **US D615,490 S**

(45) **Date of Patent:** **** May 11, 2010**

(54) **EMERGENCY BATTERY FOR VEHICLES**

(76) Inventor: **Chao Chuan Chien**, 8F, No. 387, Chung Cheng Road, Hsin Chuang City, Taipei Hsien (TW)

(**) Term: **14 Years**

(21) Appl. No.: **29/322,037**

(22) Filed: **Jul. 29, 2008**

(51) **LOC (9) Cl.** **13-02**

(52) **U.S. Cl.** **D13/107; D13/103**

(58) **Field of Classification Search** D13/102–110, D13/118–119, 184; 429/96–100, 163, 176; 320/103–105, 107–115; D15/9

See application file for complete search history.

(56) **References Cited**

U.S. PATENT DOCUMENTS

D284,957 S *	8/1986	Bates	D13/120
D285,063 S *	8/1986	Bates	D13/120
6,222,342 B1 *	4/2001	Eggert et al.	320/105
D464,619 S *	10/2002	Krieger et al.	D13/110
D491,141 S *	6/2004	Krieger et al.	D13/107
D506,724 S *	6/2005	Hriscu et al.	D13/107
D506,974 S *	7/2005	Li	D13/107
D519,448 S *	4/2006	Leung	D13/107
D527,340 S *	8/2006	Christiani et al.	D13/107

D530,271 S *	10/2006	Hriscu et al.	D13/107
D530,272 S *	10/2006	Hulden	D13/107
D538,739 S *	3/2007	Zheng	D13/107
D549,170 S *	8/2007	Yen	D13/107
D594,405 S *	6/2009	Murray et al.	D13/107
D594,406 S *	6/2009	Ellsworth	D13/107
D595,222 S *	6/2009	Ellsworth	D13/107

* cited by examiner

Primary Examiner—Rosemary K Tarca

(74) *Attorney, Agent, or Firm*—Guice Patents PLLC

(57) **CLAIM**

The ornamental design for emergency battery for vehicles, as shown and described.

DESCRIPTION

FIG. 1 is a perspective view of emergency battery for vehicles showing my design;

FIG. 2 is a front side view thereof;

FIG. 3 is a right side view thereof;

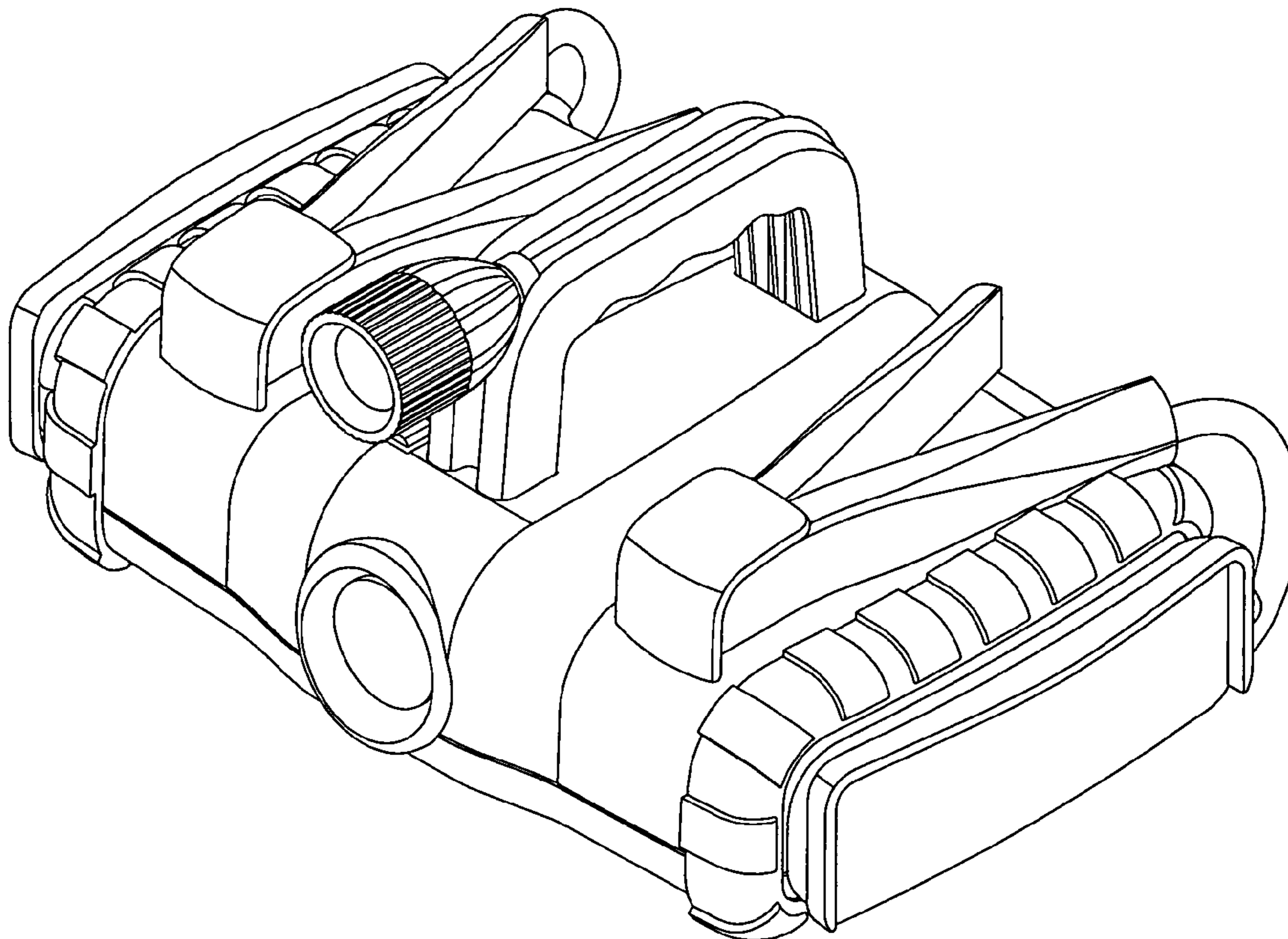
FIG. 4 is a left side view thereof.

FIG. 5 is a rear side view thereof;

FIG. 6 is a top elevation view thereof; and,

FIG. 7 is a bottom elevation view thereof.

1 Claim, 7 Drawing Sheets



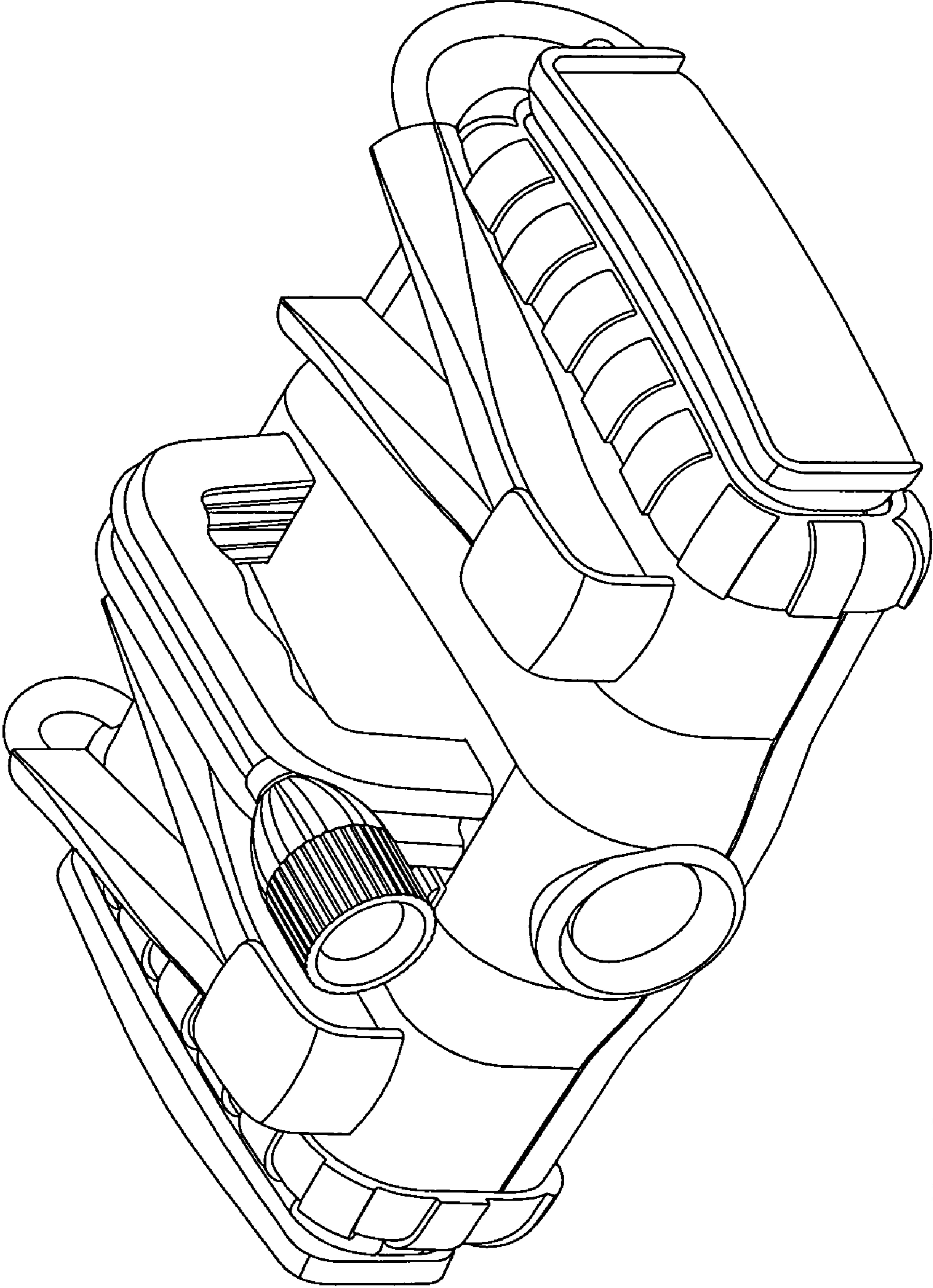


FIG. 1

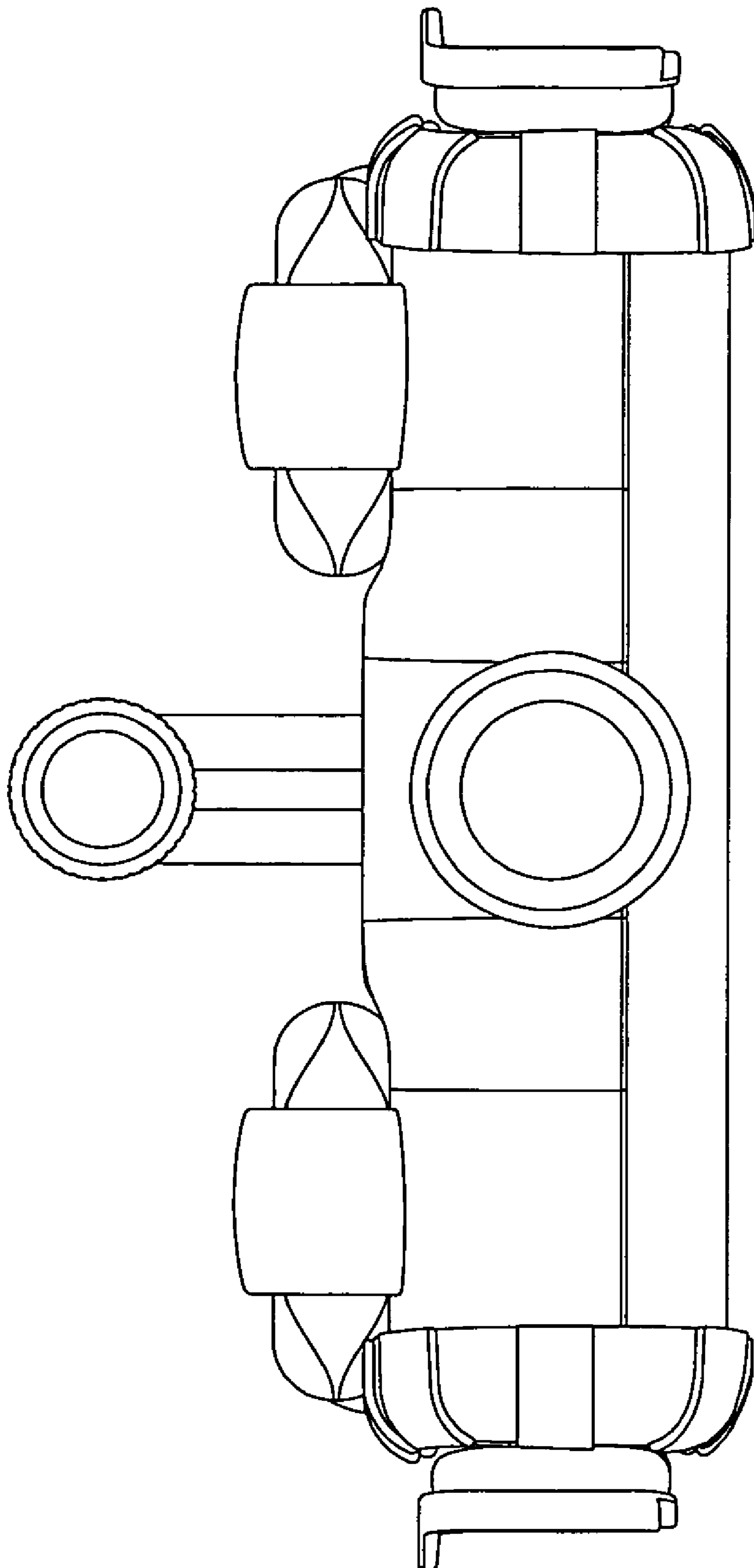


FIG. 2

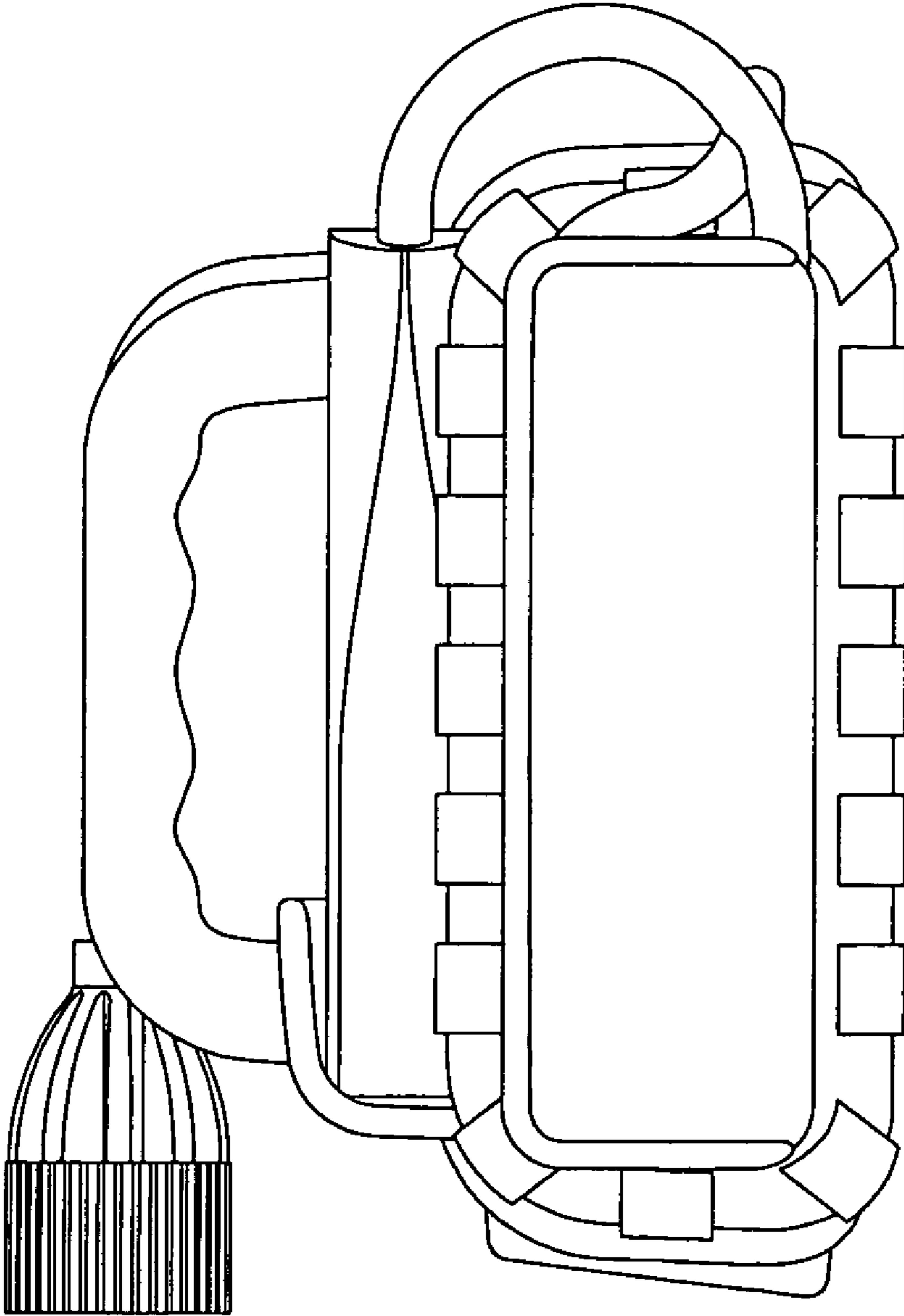


FIG. 3

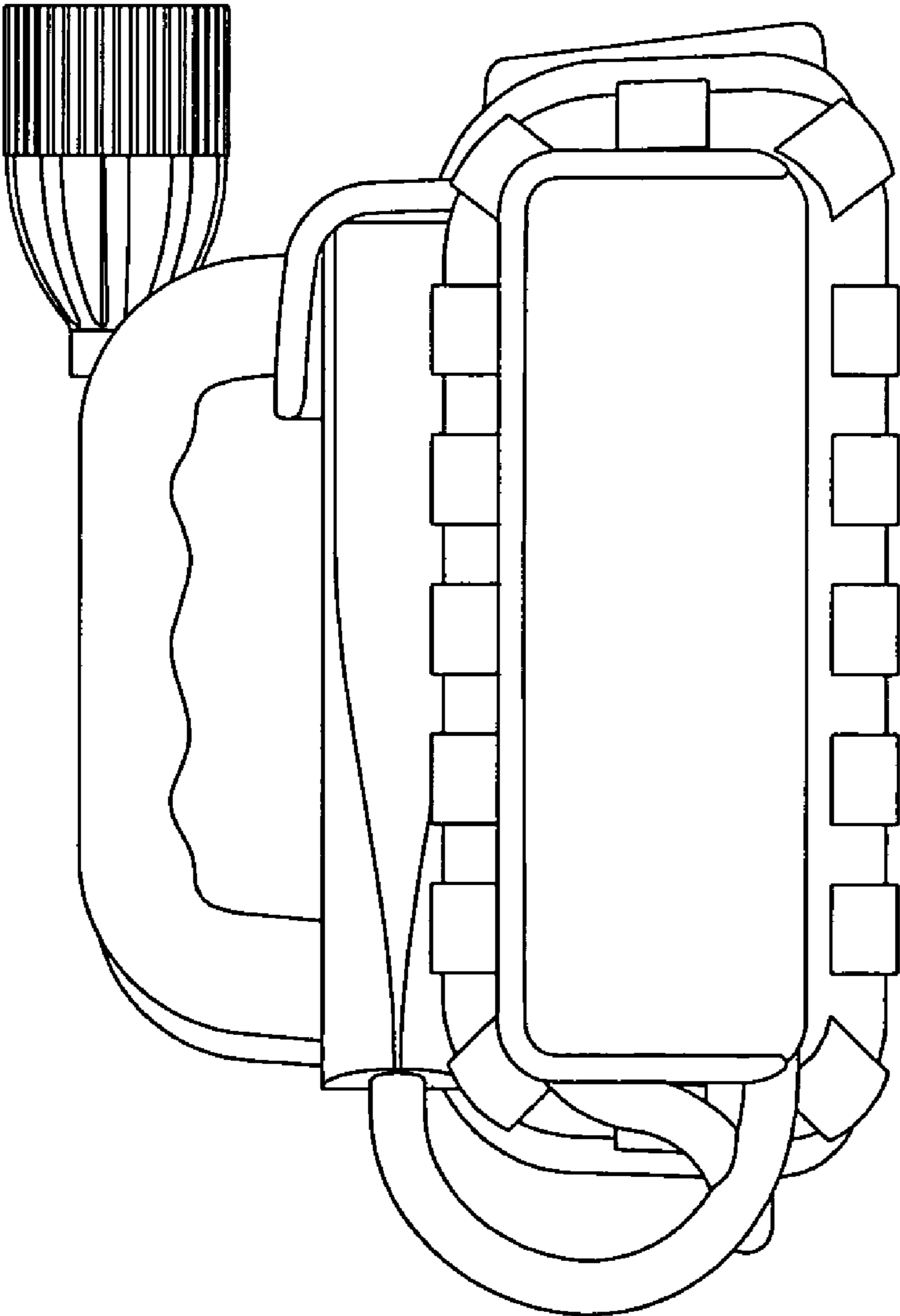


FIG. 4

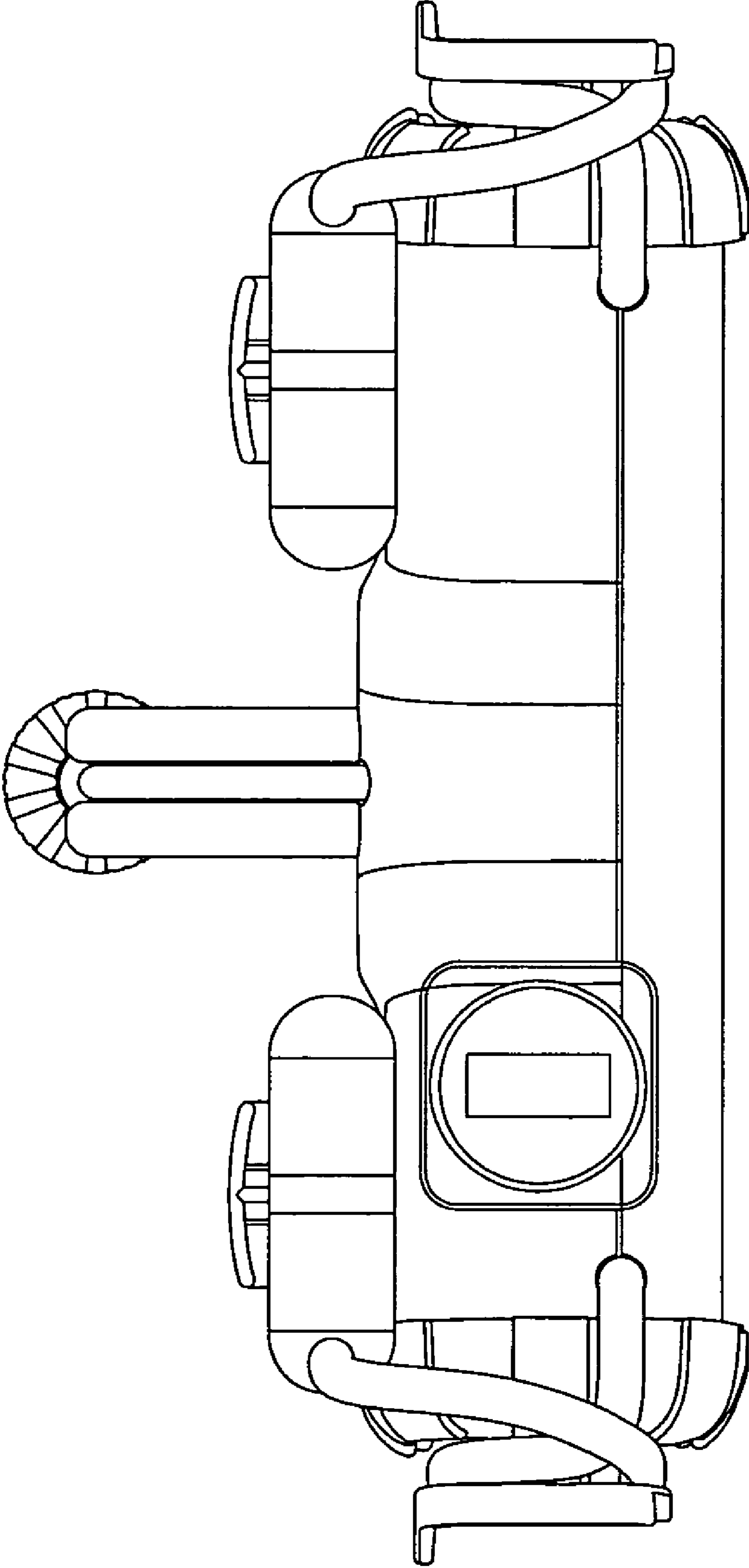


FIG. 5

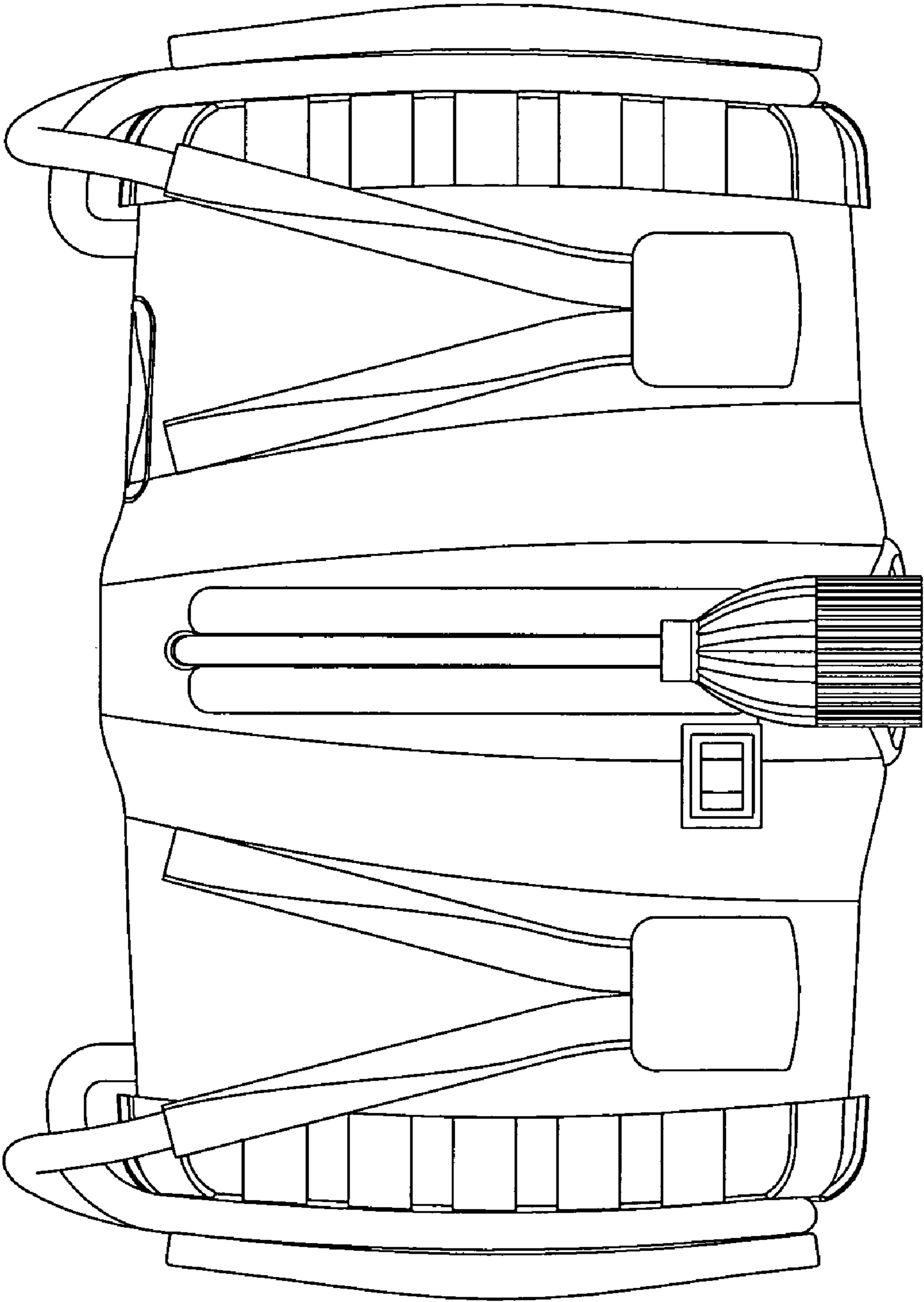


FIG. 6

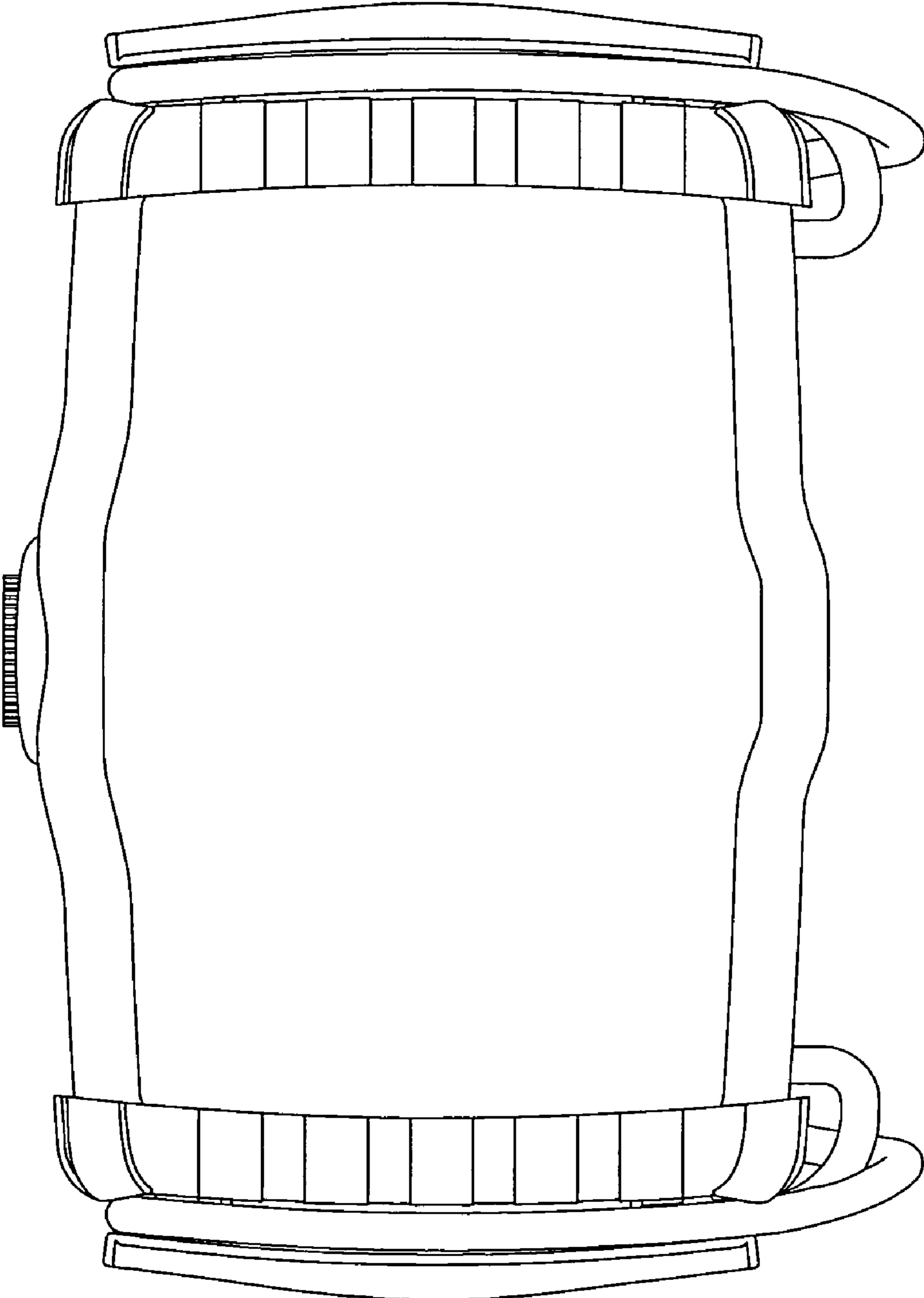


FIG. 7