



US00D615489S

(12) **United States Design Patent**
Masuda et al.

(10) **Patent No.:** **US D615,489 S**

(45) **Date of Patent:** **** May 11, 2010**

(54) **ASSEMBLED BATTERY**

(75) Inventors: **Hideki Masuda**, Kyoto (JP); **Osamu Ushijima**, Kyoto (JP); **Junya Ueda**, Kyoto (JP)

(73) Assignee: **GS Yuasa Corporation**, Kyoto-shi (JP)

(**) Term: **14 Years**

(21) Appl. No.: **29/316,345**

(22) Filed: **Sep. 15, 2009**

Related U.S. Application Data

(62) Division of application No. 29/301,546, filed on Mar. 6, 2008, now Pat. No. Des. 602,428.

(51) **LOC (9) Cl.** **13-02**

(52) **U.S. Cl.** **D13/103**

(58) **Field of Classification Search** D13/102–106,
D13/110, 118–121, 184; 429/96–100, 163,
429/176

See application file for complete search history.

(56) **References Cited**

U.S. PATENT DOCUMENTS

D257,342 S * 10/1980 Payne D13/110
D268,024 S * 2/1983 Litt et al. D13/110
4,508,794 A * 4/1985 Wright 429/100
4,693,949 A * 9/1987 Kellett et al. 429/128

D292,576 S * 11/1987 Kump et al. D13/106
4,729,933 A * 3/1988 Oswald 429/59
D339,102 S * 9/1993 Boyd D13/110
5,498,488 A * 3/1996 Stocchiero 429/72
5,512,065 A * 4/1996 Kump et al. 29/623.1
D400,849 S * 11/1998 Ikeda et al. D13/106
D559,778 S * 1/2008 Tsuzuki et al. D13/110

* cited by examiner

Primary Examiner—Rosemary K Tarcza

(74) *Attorney, Agent, or Firm*—Jordan and Hamburg LLP

(57) **CLAIM**

What is claimed the ornamental design for assembled battery, as shown and described.

DESCRIPTION

FIG. 1 is a front perspective view of assembled battery showing our fifth new design;

FIG. 2 is a top view thereof;

FIG. 3 is a front view thereof;

FIG. 4 is a bottom view thereof;

FIG. 5 is a back view thereof;

FIG. 6 is a right side view thereof;

FIG. 7 is a left side view thereof; and,

FIG. 8 is a sectional view taken along line VIII—VIII of FIG. 3.

1 Claim, 4 Drawing Sheets

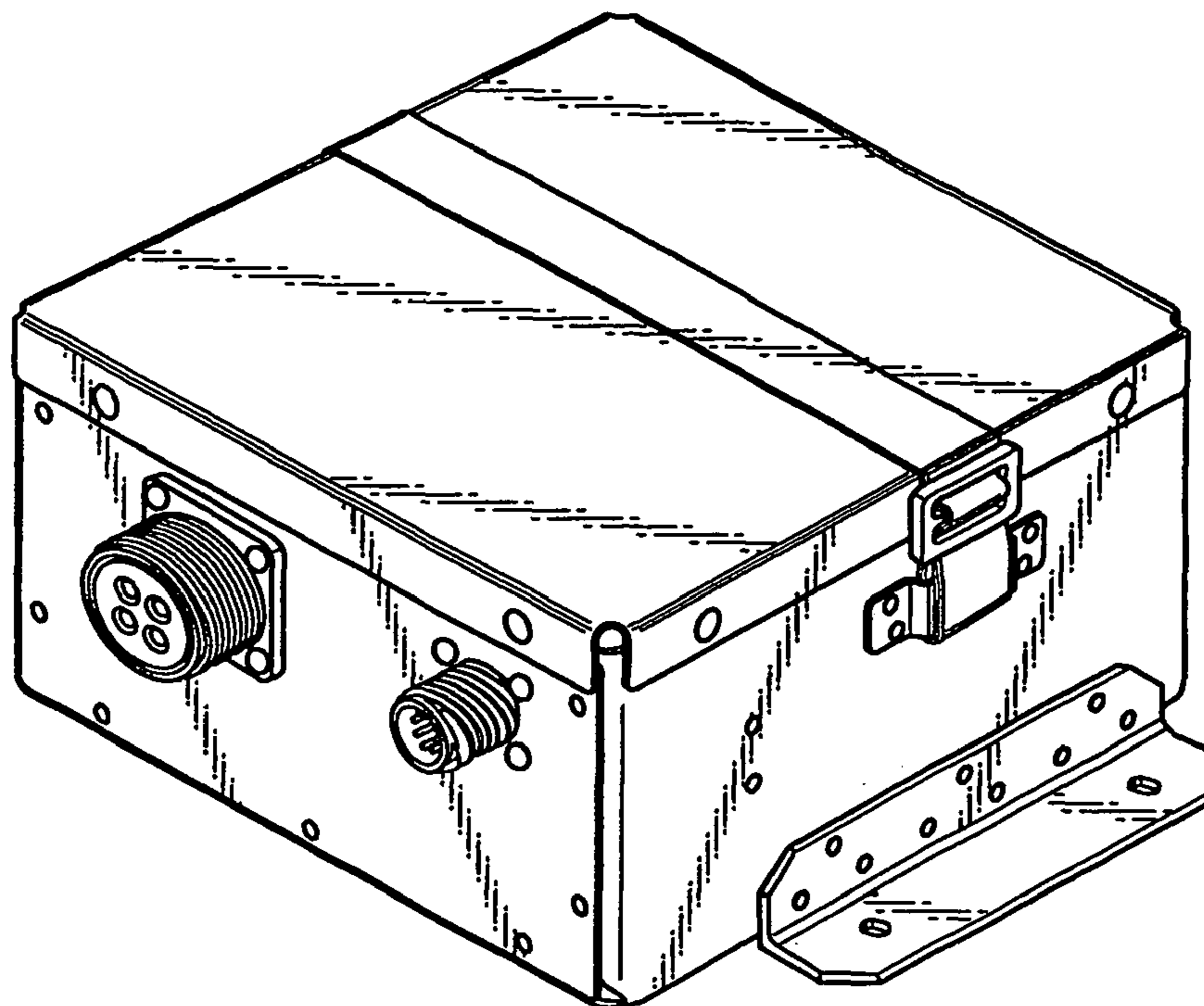


Fig. 1

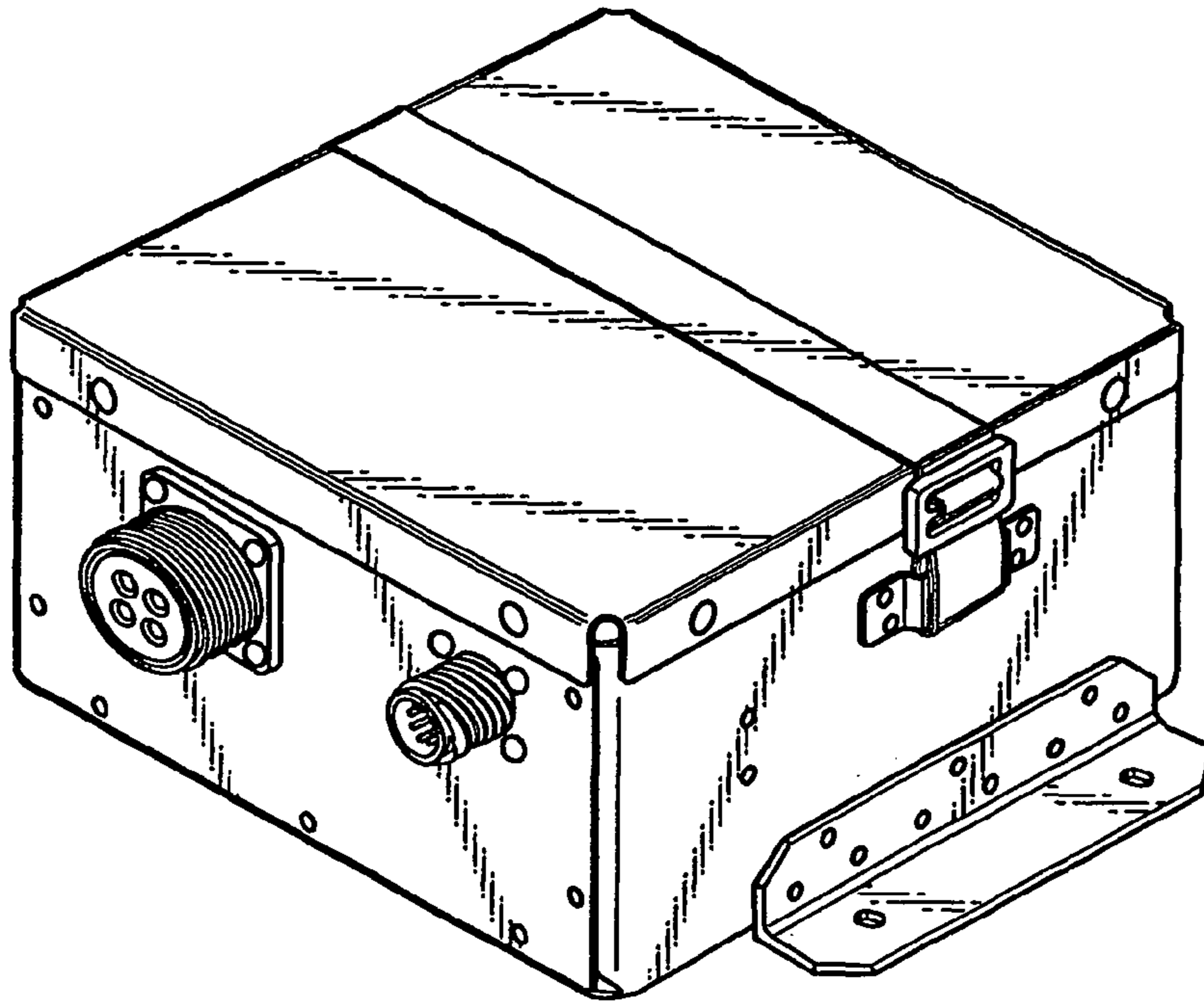


Fig. 2

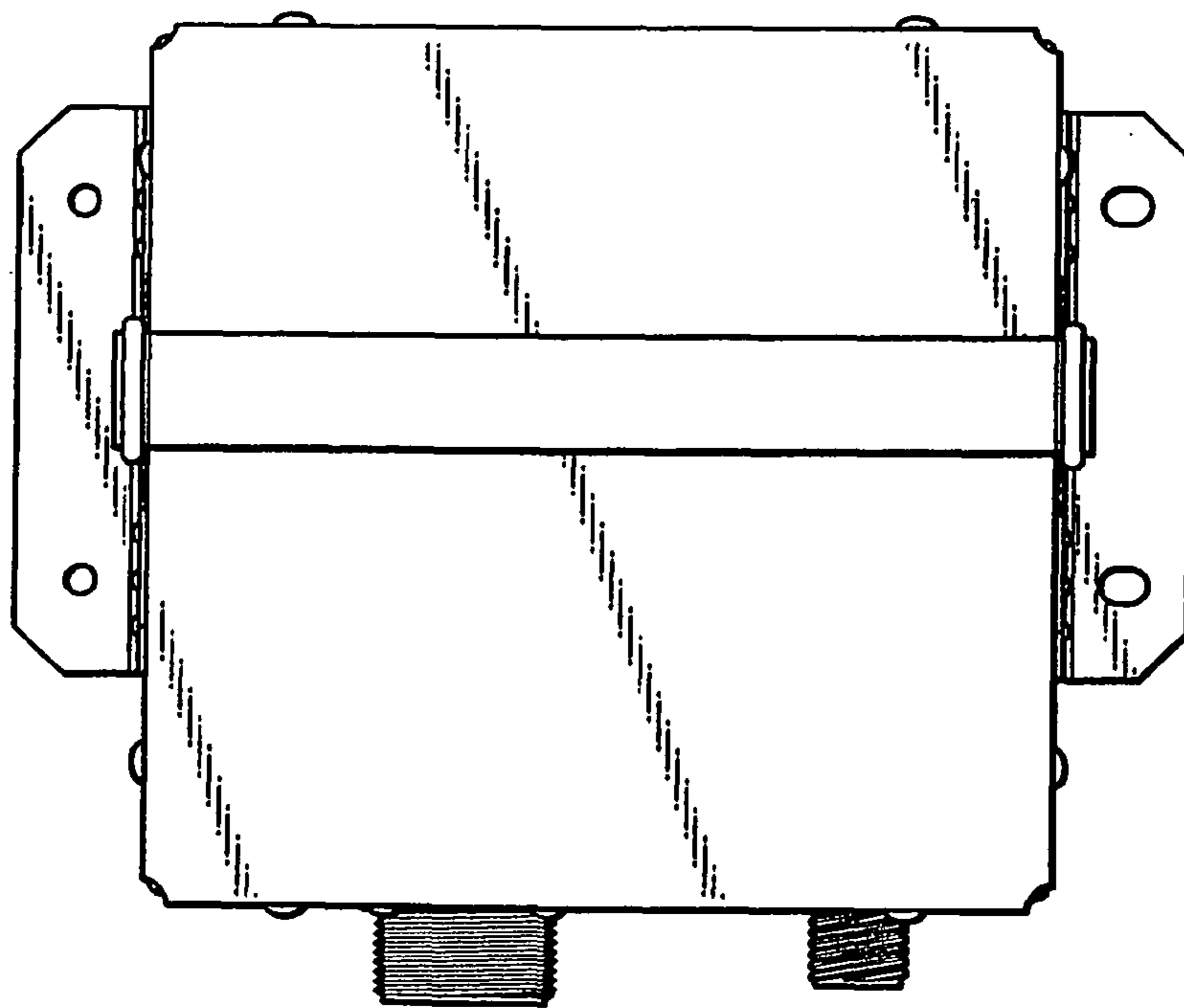


Fig. 3

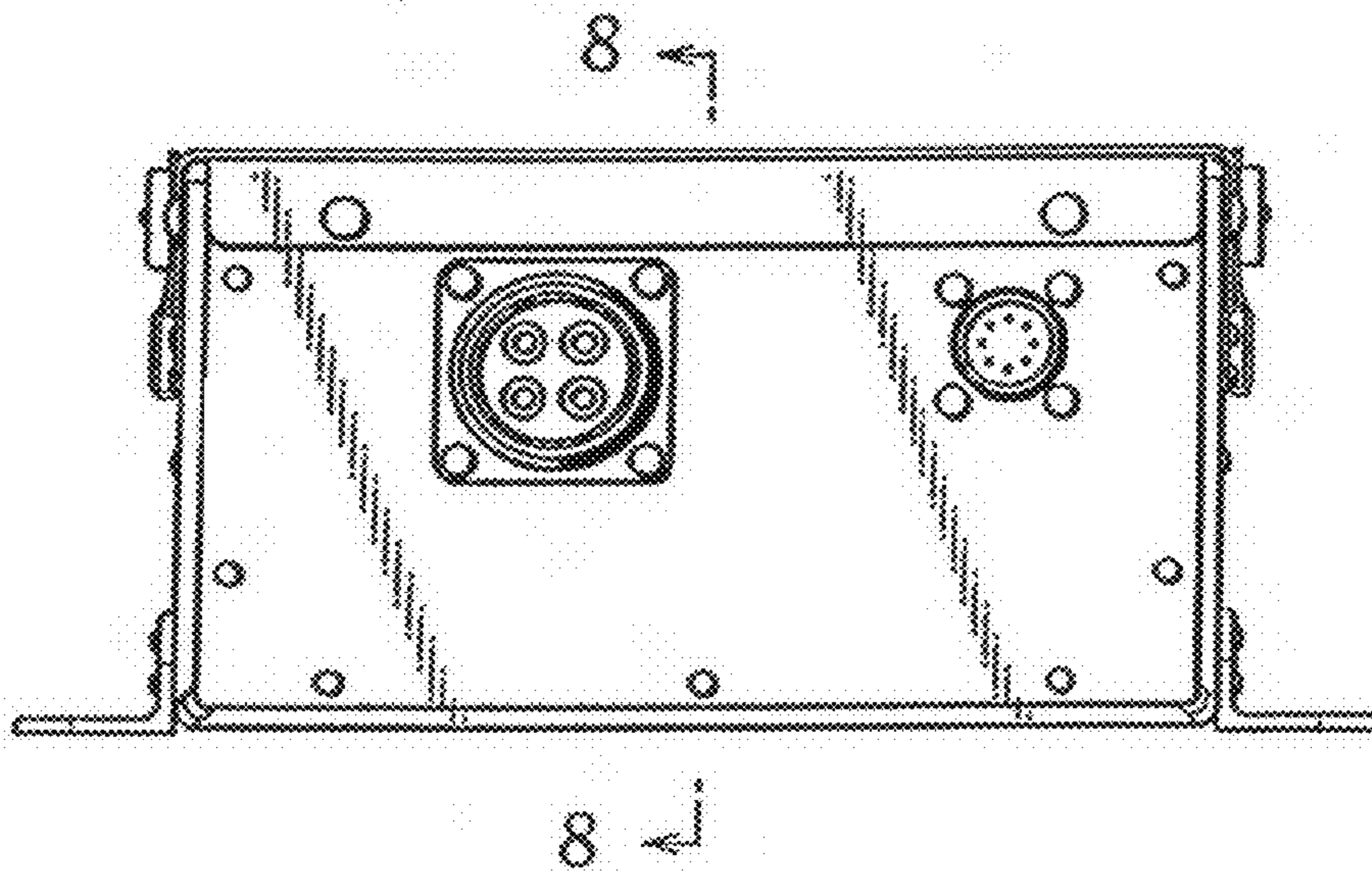


Fig. 4

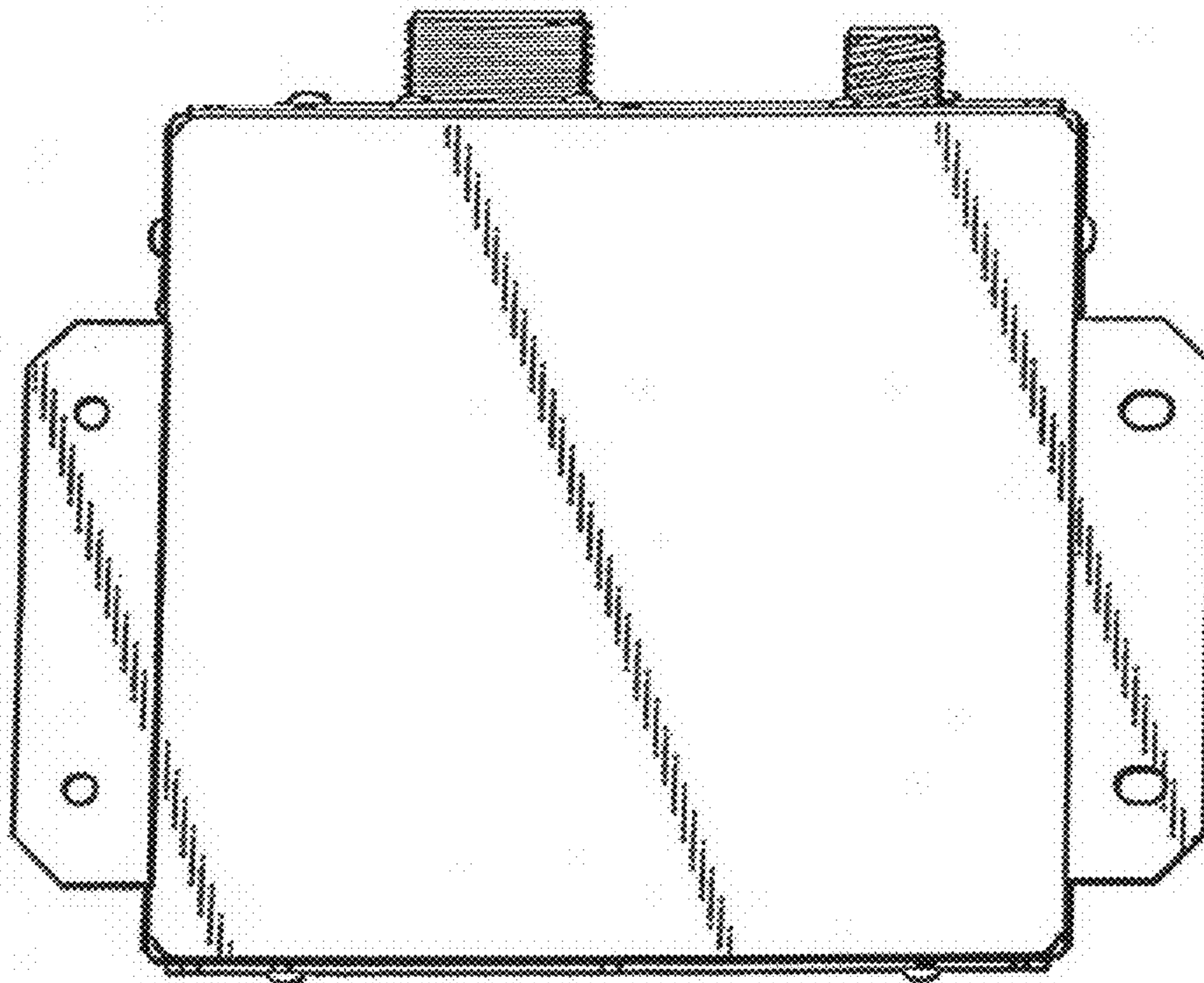


Fig. 5

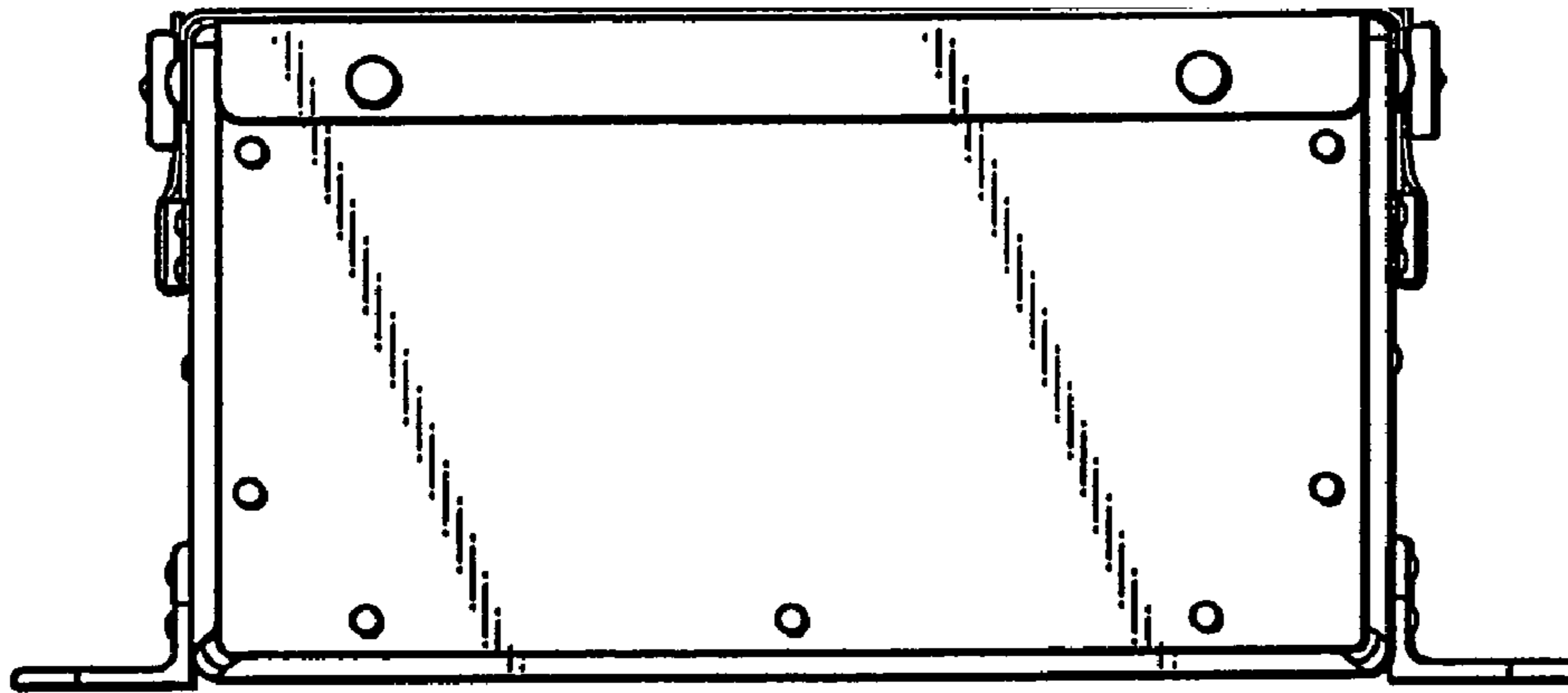


Fig. 6

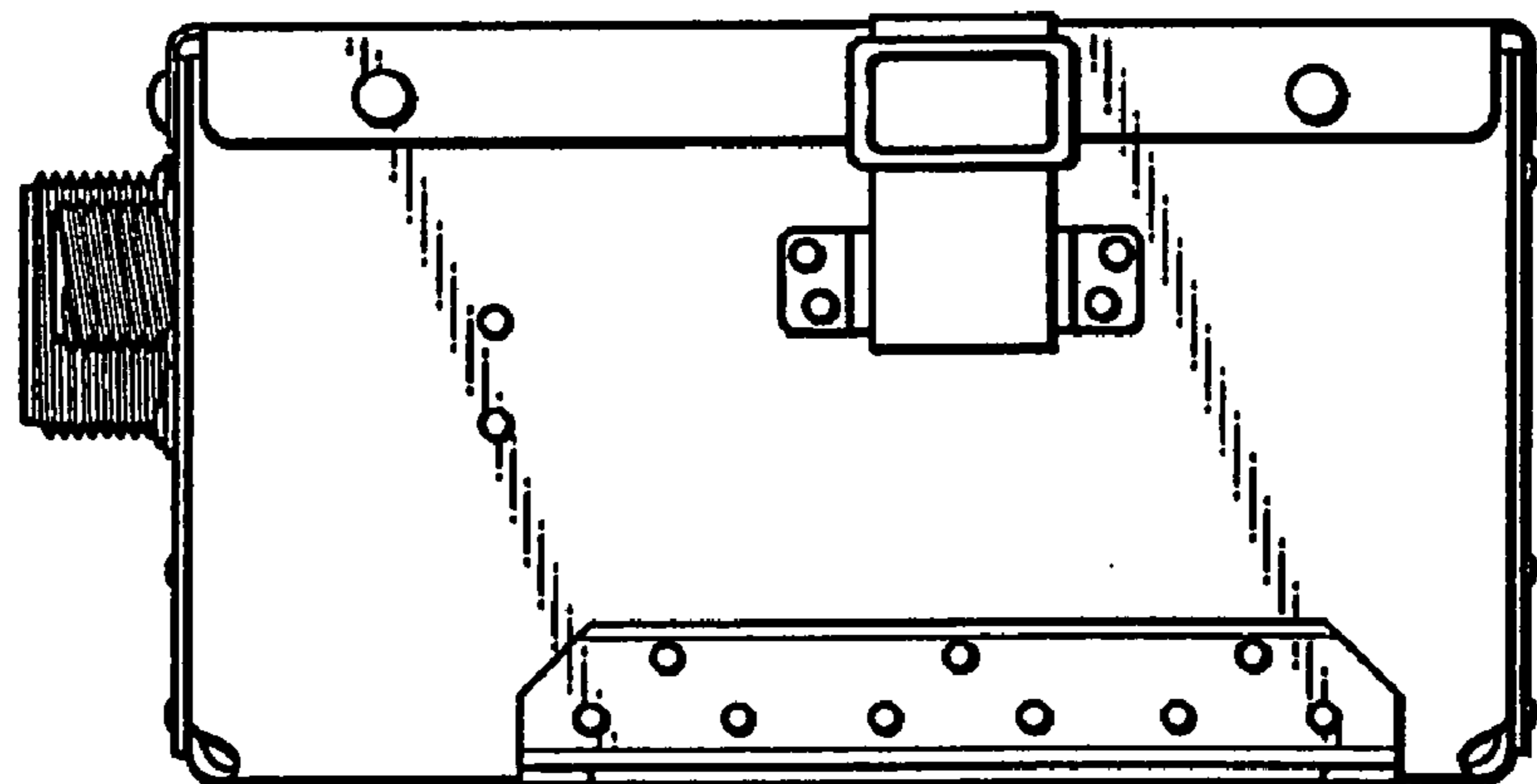


Fig. 7

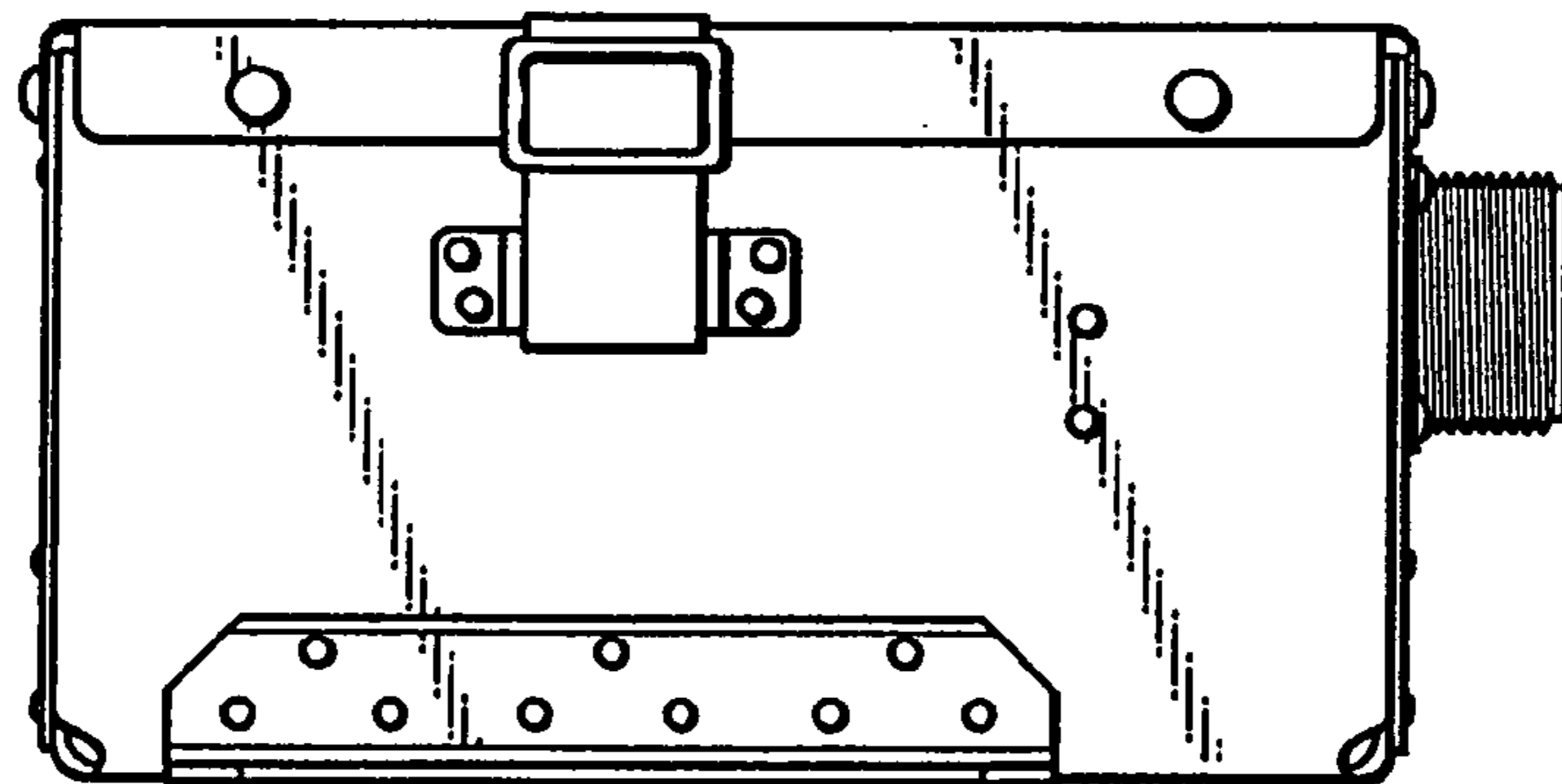


Fig. 8

