



US00D615478S

(12) **United States Design Patent**
Hynes

(10) **Patent No.:** **US D615,478 S**

(45) **Date of Patent:** **** May 11, 2010**

(54) **CONSOLE FOR HOLDING COMPUTER**

(76) Inventor: **Christopher C. Hynes**, 1027 S. Euclid,
Tucson, AZ (US) 85719

(**) Term: **14 Years**

(21) Appl. No.: **29/278,990**

(22) Filed: **Apr. 17, 2007**

(51) **LOC (9) Cl.** **12-16**

(52) **U.S. Cl.** **D12/415**

(58) **Field of Classification Search** D12/415,
D12/423-426; D8/355, 380; D13/184; D14/251;
D6/512; 224/539, 483, 540; 296/37.1-37.12,
296/24.1; 248/27.1, 27.3, 608-609, 619,
248/599, 601, 632

See application file for complete search history.

(56) **References Cited**

U.S. PATENT DOCUMENTS

D231,195 S *	4/1974	Reynolds	D12/415
D279,426 S *	7/1985	Dzak	D12/415
D314,738 S *	2/1991	Stiles	D12/424
D332,789 S *	1/1993	Rak	D14/251
D348,450 S *	7/1994	Crary	D12/415
D363,916 S *	11/1995	Johnson	D12/415
D398,796 S *	9/1998	Fauchald et al.	D6/512

D410,620 S *	6/1999	Sacco et al.	D12/415
D419,519 S *	1/2000	Whidbee	D12/415
D429,684 S *	8/2000	Johnson	D12/415
D437,299 S *	2/2001	Johnson	D13/184
D540,738 S *	4/2007	Hatch	D12/415

* cited by examiner

Primary Examiner—Stacia Cadmus

(74) *Attorney, Agent, or Firm*—Quarles & Brady LLP; Gavin J. Milczarek-Desai

(57) **CLAIM**

The ornamental design for a console for holding computer, as shown and described.

DESCRIPTION

FIG. 1 is a frontal perspective view of a console for holding computer embodying the new design.

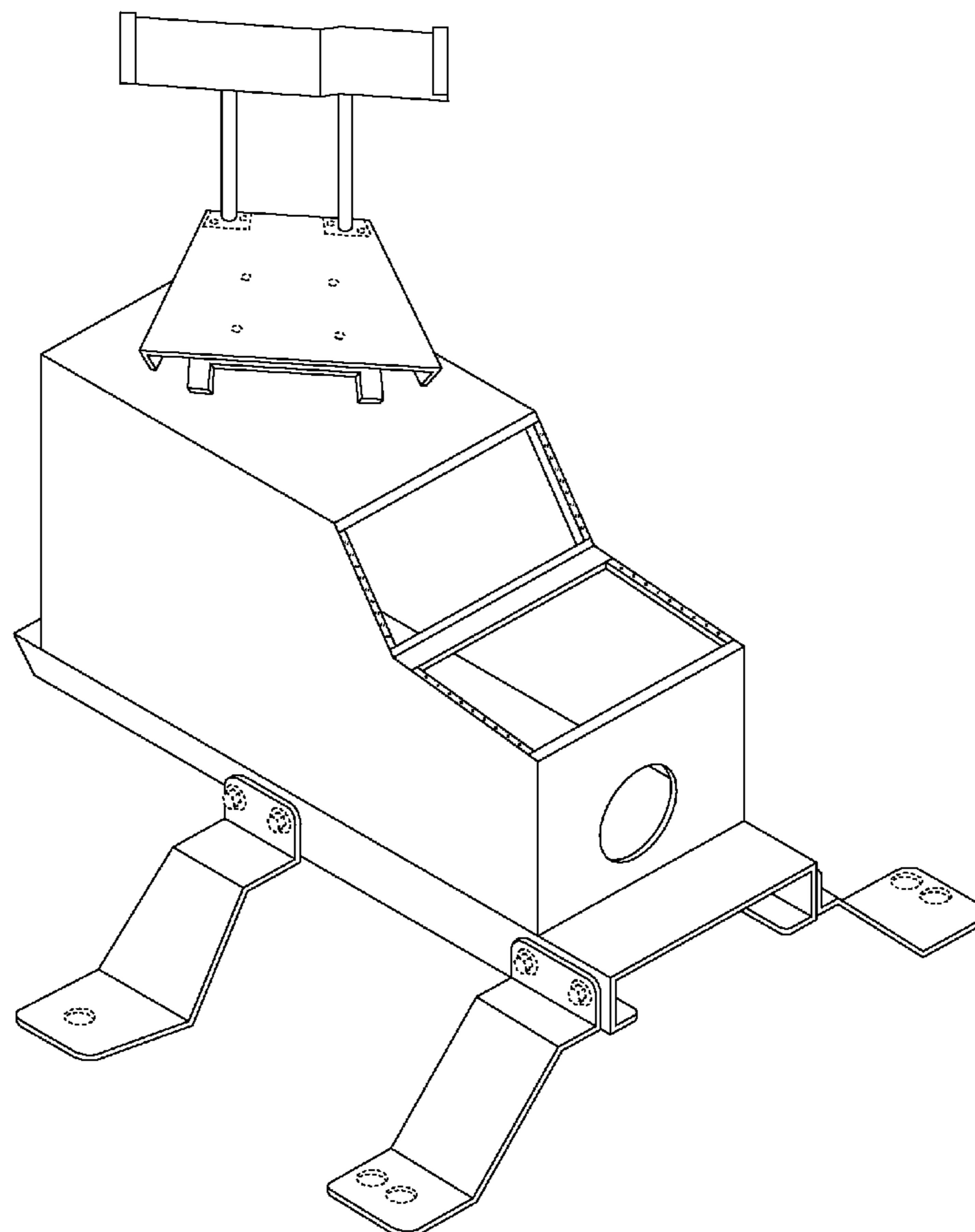
FIG. 2 is a right side elevational view thereof.

FIG. 3 is a front plan view thereof; and,

FIG. 4 is an enlarged top plan view thereof.

The broken line showing of the holes and fastening means is included for the purpose of illustrating environment and forms no part of the claimed design.

1 Claim, 3 Drawing Sheets



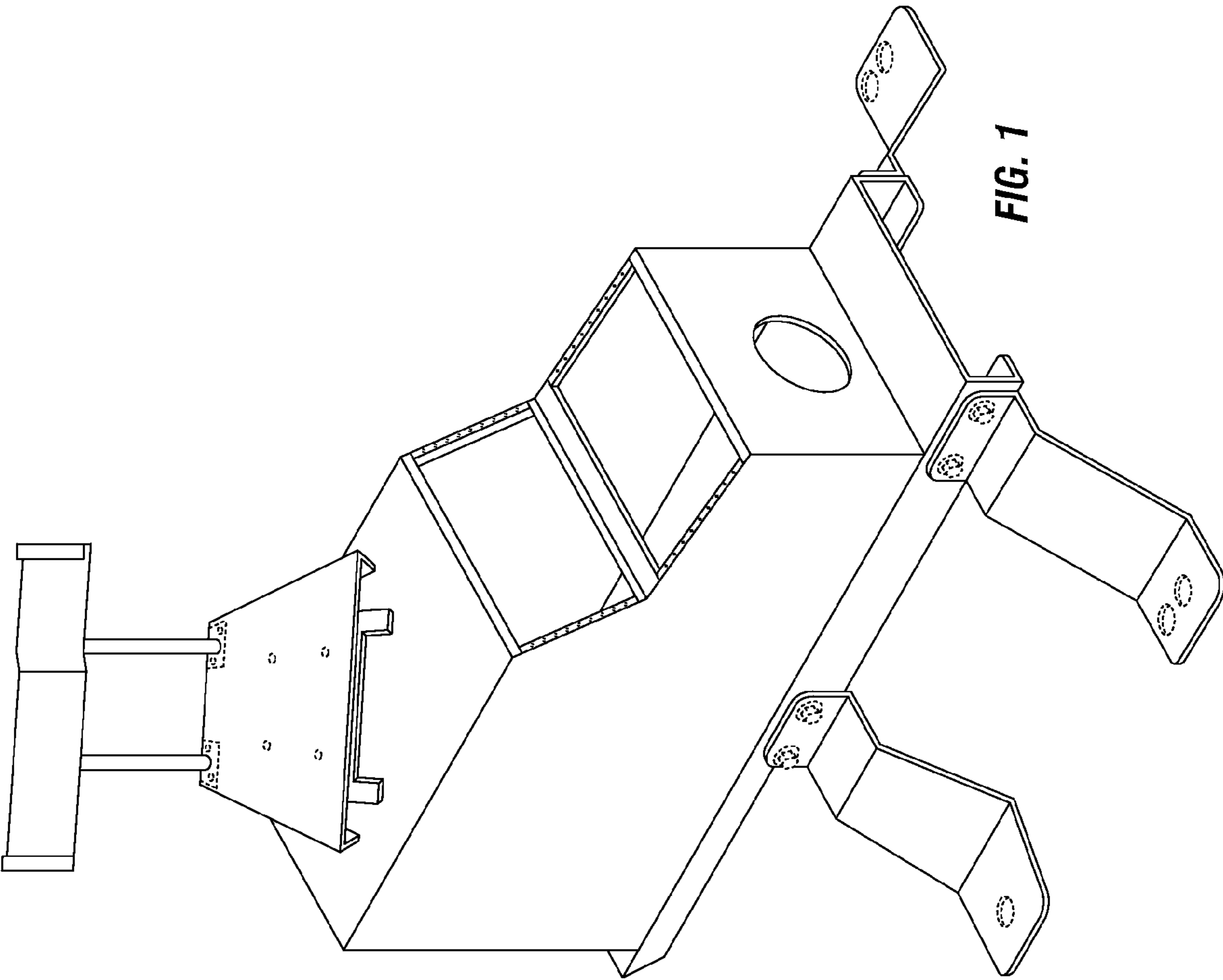


FIG. 1

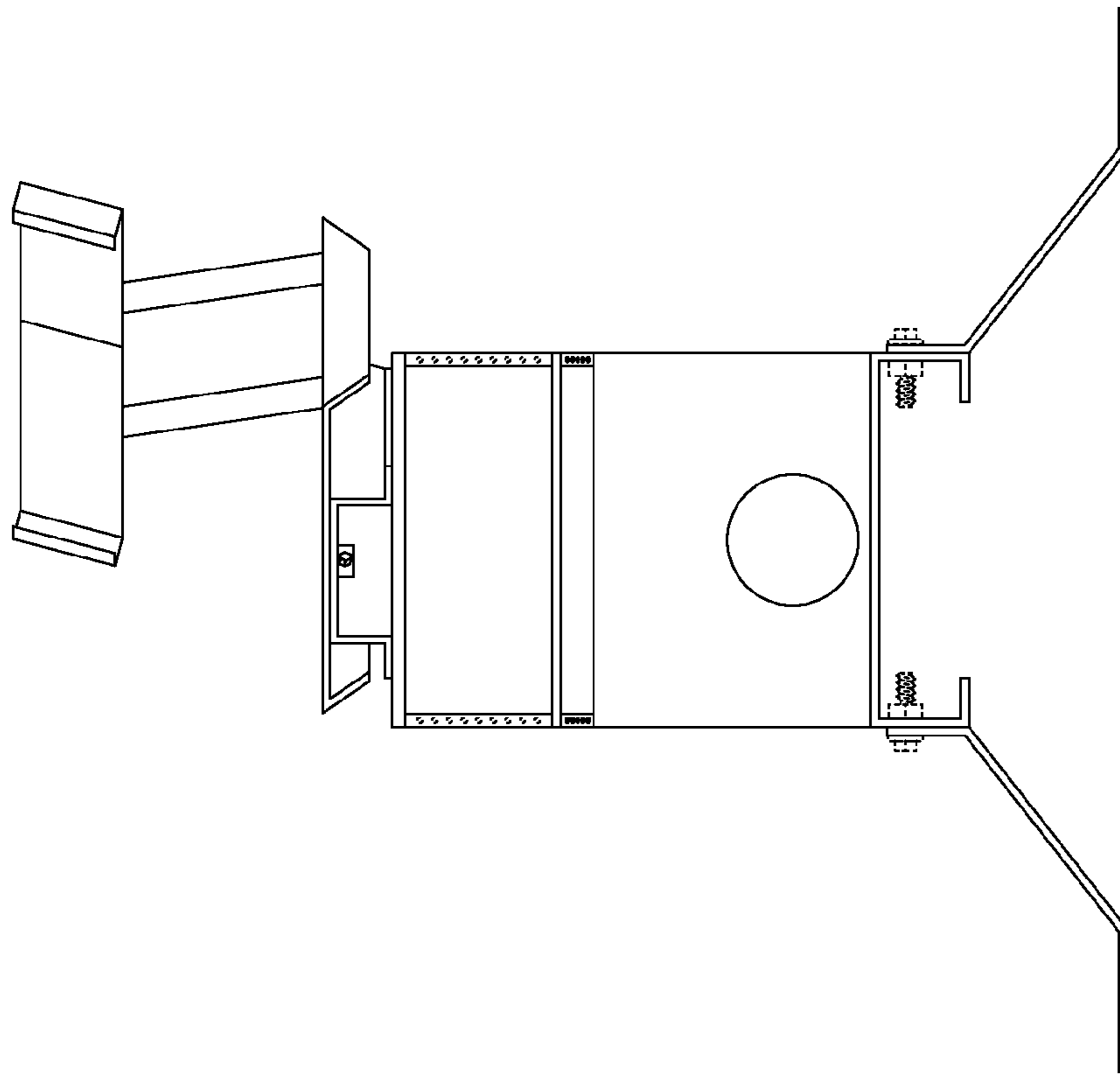


FIG. 3

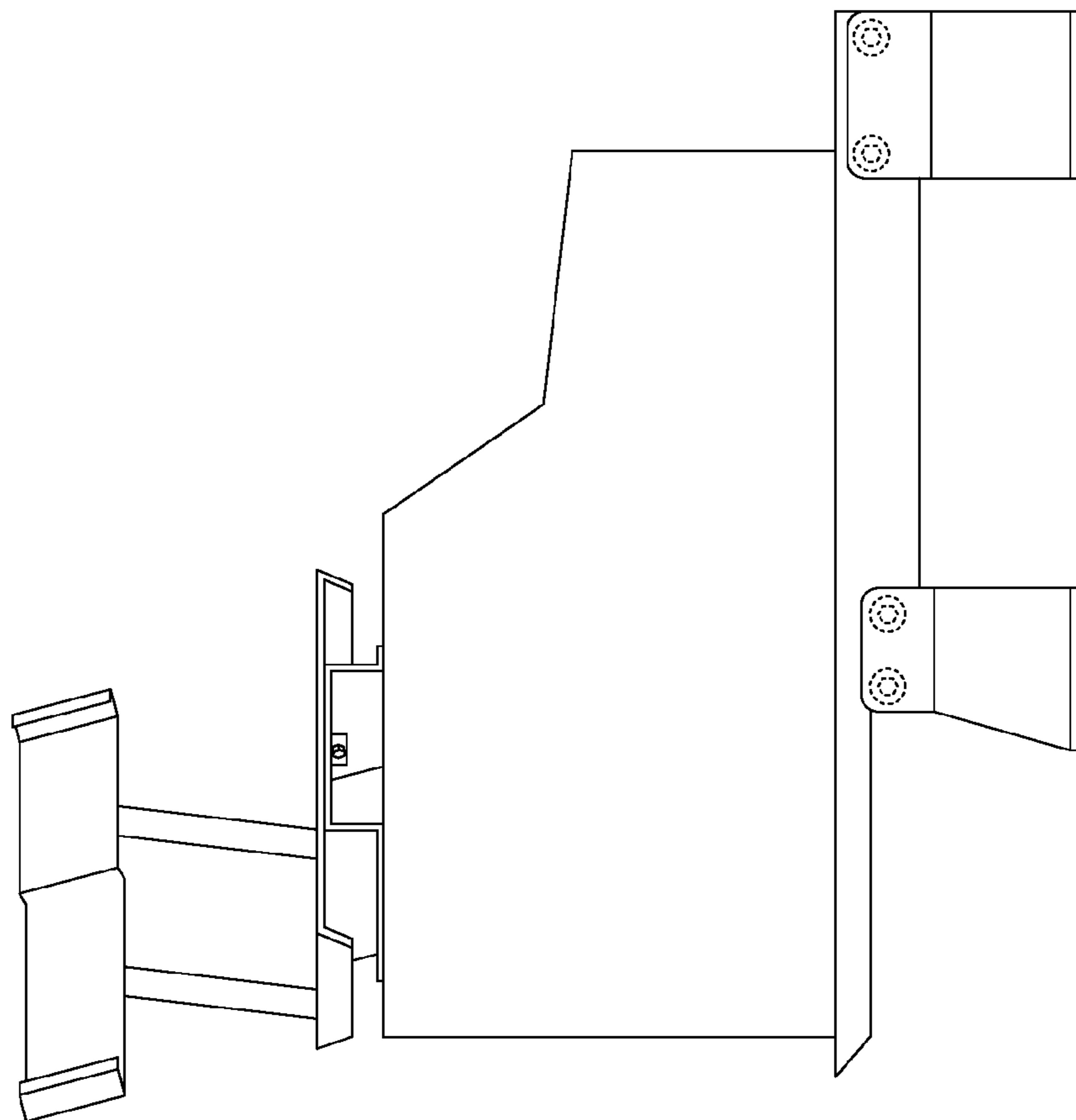


FIG. 2

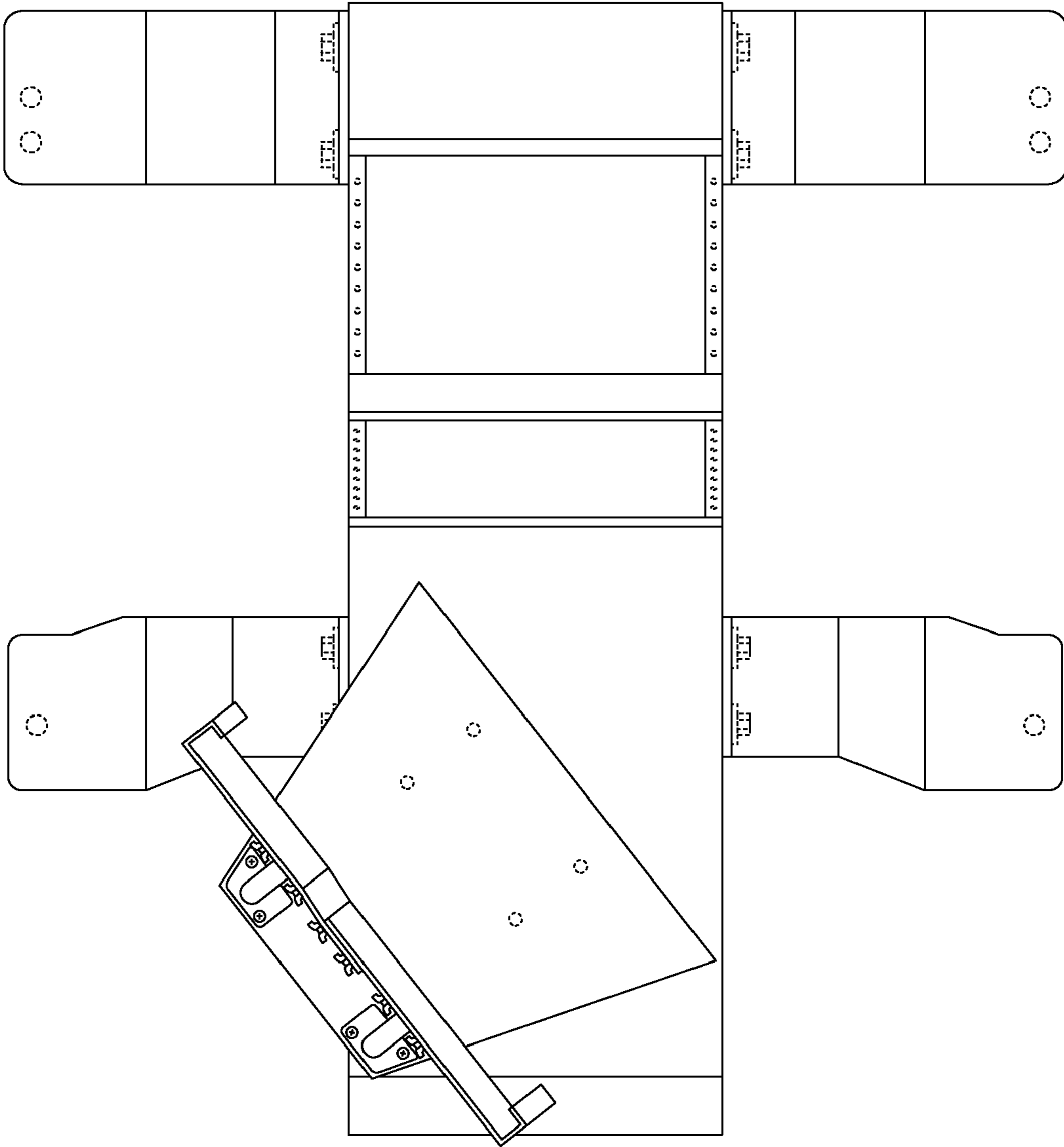


FIG. 4