



US00D615473S

(12) **United States Design Patent**
Kim

(10) **Patent No.:** **US D615,473 S**
(45) **Date of Patent:** **** May 11, 2010**

(54) **WINDSHIELD WIPER BLADE**

(75) Inventor: **In-Kyu Kim**, Ansan-si (KR)

(73) Assignee: **ADM 21 Co., Ltd.**, Ansan-si,
Gyeonggi-do (KR)

(**) Term: **14 Years**

(21) Appl. No.: **29/324,254**

(22) Filed: **Sep. 9, 2008**

(30) **Foreign Application Priority Data**

May 7, 2008 (KR) 30-2008-0019126

(51) **LOC (9) Cl.** **12-06**

(52) **U.S. Cl.** **D12/219**

(58) **Field of Classification Search** D12/219-220;
15/246, 247, 240.001, 250.4, 250.361, 250.19,
15/250.48, 250.03, 250.31-250.33, 250.351,
15/250.38, 250.201, 250.451, 250.458, 250.04,
15/250.07, 250.44

See application file for complete search history.

(56) **References Cited**

U.S. PATENT DOCUMENTS

6,140,608 A * 10/2000 Stingone, Jr. 219/202
D442,537 S * 5/2001 Kim D12/219
D443,245 S 6/2001 Kim
6,539,576 B2 4/2003 Kim
D478,047 S 8/2003 Liang
D490,763 S * 6/2004 Kim D12/219
7,150,795 B2 * 12/2006 Javaruski et al. 134/6
D539,206 S * 3/2007 Park D12/219
D552,025 S 10/2007 Kim
D555,068 S 11/2007 Kim
D556,115 S 11/2007 Kim

D556,116 S 11/2007 Kim
D556,117 S 11/2007 Kim
D556,667 S 12/2007 Kim
D565,494 S 4/2008 Kim
2006/0115325 A1* 6/2006 Thienard 403/329
2007/0266517 A1 11/2007 Kim et al.
2008/0196192 A1* 8/2008 Yao 15/250.46

FOREIGN PATENT DOCUMENTS

CA 119152 1/2007
CA 119153 1/2007

(Continued)

Primary Examiner—Caraon Veynar
Assistant Examiner—Katrina A Kile

(57) **CLAIM**

The ornamental design for a windshield wiper blade, as shown and described.

DESCRIPTION

FIG. 1 is a perspective view of a windshield wiper blade showing my new design;

FIG. 2 is a front view thereof;

FIG. 3 is a rear view thereof;

FIG. 4 is an enlarged left side view thereof;

FIG. 5 is an enlarged right side view thereof;

FIG. 6 is a top plan view thereof;

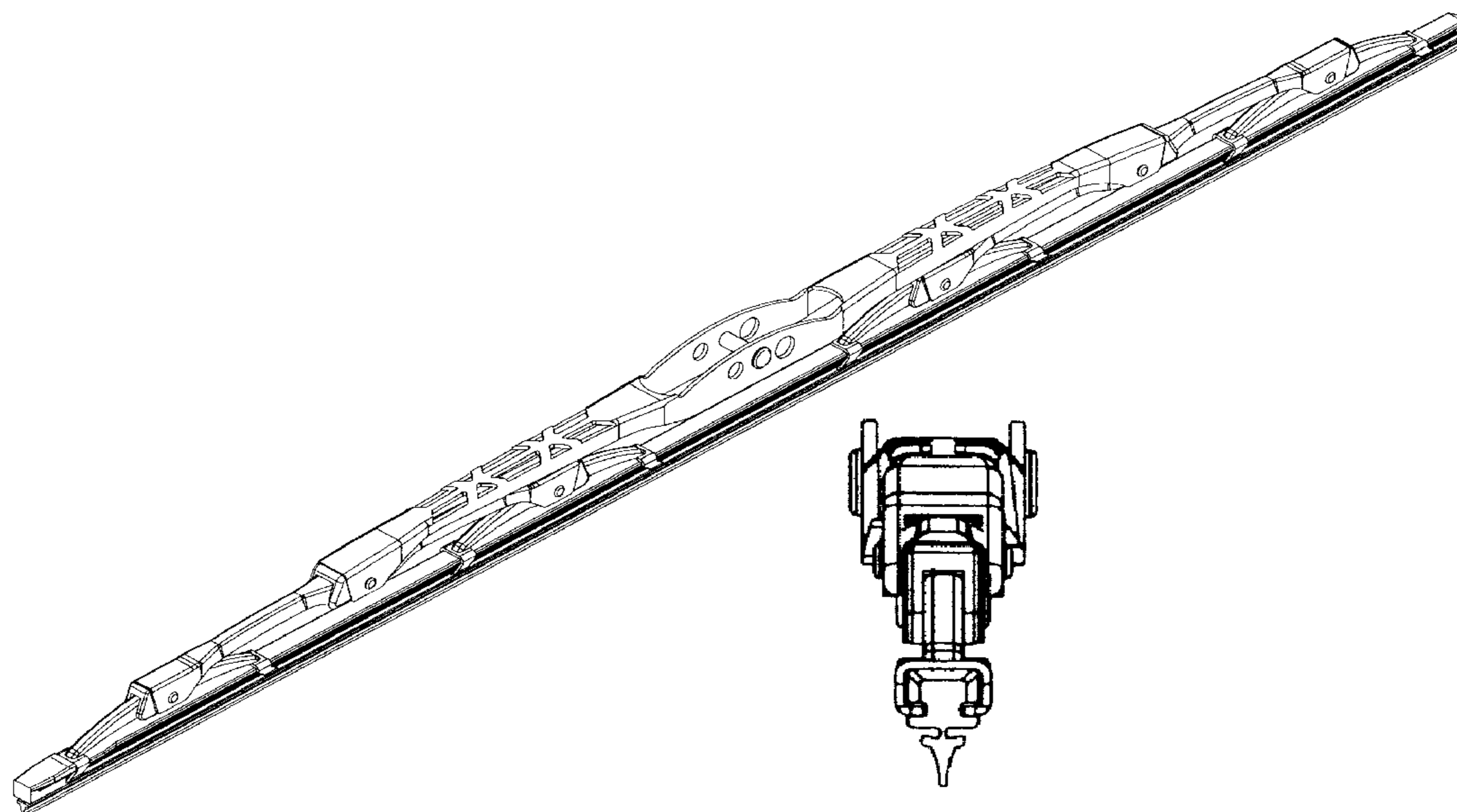
FIG. 7 is a bottom plan view thereof;

FIG. 8 is a perspective view thereof;

FIG. 9 is a perspective view thereof; and,

FIG. 10 is a perspective view thereof.

1 Claim, 9 Drawing Sheets



US D615,473 S

Page 2

FOREIGN PATENT DOCUMENTS					
CA	119156	1/2007	KR	10-2004-0041495	7/2006
CA	115235	10/2007	KR	30-2005-0033447	9/2006
CH	200720147092	9/2008	KR	30-2005-0033448	9/2006
EM	652664-0002	1/2007	KR	30-2005-0033450	9/2006
EM	652664-0003	1/2007	KR	30-2005-0033451	9/2006
EM	652664-0004	1/2007	KR	30-2005-0333451	9/2006
EM	652664-0005	1/2007	KR	30-2005-0333452	9/2006
EM	000720347-0001	5/2007	KR	20-2006-0021491	10/2006
EM	000821442-0001	11/2007	KR	2020060032419	10/2006
EM	652664-0001	1/2008	KR	10-2007-0084648	2/2007
EM	000852454	1/2008	KR	30-2006-0019245	2/2007
EM	000901558	3/2008	KR	30-2006-0019246	2/2007
EP	0033448	3/2006	KR	10-2005-0101281	3/2007
EP	00901559	3/2008	KR	10-2005-0115735	3/2007
JP	2007-4151	7/2007	KR	2020070003864	3/2007
JP	2007-000925	8/2007	KR	30-2006-0022862	5/2007
JP	2007-000926	8/2007	KR	30-2006-0022863	5/2007
JP	2007-000927	8/2007	KR	30-2006-0022864	5/2007
JP	2007-000928	8/2007	KR	30-2006-0022865	5/2007
JP	2007-000929	8/2007	KR	30-2006-0022866	5/2007
JP	2007-011992	8/2008	KR	30-2006-0022867	5/2007
JP	2007-030500	8/2008	KR	30-2006-0026378	5/2007
KR	20-1992-0012065	5/1995	KR	30-2006-0026379	5/2007
KR	20-1992-0014006	5/1995	KR	10-2005-0117621	6/2007
KR	30-1996-0019033	9/1996	KR	10-2007-0005377	6/2007
KR	20-1994-0001210	10/1996	KR	30-2006-0030715	6/2007
KR	30-1995-0008675	10/1996	KR	30-2006-0030716	6/2007
KR	20-1994-0022497	10/1997	KR	30-2006-0030717	6/2007
KR	30-1996-0055543	10/1997	KR	30-2006-0030718	6/2007
KR	30-1996-00244692	1/1998	KR	30-2006-0038170	7/2007
KR	30-1998-0005565	4/1998	KR	30-2006-0038171	7/2007
KR	10-1996-0038418	4/1999	KR	10-2006-0075605	8/2007
KR	20-1996-0041517	4/1999	KR	10-2005-0086747	9/2007
KR	30-1998-0014950	5/1999	KR	10-2006-0030503	9/2007
KR	20-2000-0009869	6/2000	KR	10-2007-0005376	9/2007
KR	20-2000-0012165	6/2000	KR	3020070049552	11/2007
KR	20-2000-0028113	10/2000	KR	3020070049553	11/2007
KR	10-2005-	3/2001	KR	20-2006-0032911	2/2008
KR	30-2000-0010917	3/2001	KR	3020080006130	2/2008
KR	30-2000-0025301	1/2002	KR	3020080006131	2/2008
KR	30-2002-0020069	5/2003	KR	20-2007-0003541	4/2008
KR	20-2003-0014593	7/2003	KR	3020080014215	4/2008
KR	20-2003-0014594	7/2003	KR	3020080019126	4/2008
KR	20-2005-0028286	12/2004	KR	3020080019129	4/2008
KR	30-2004-0012907	5/2005	KR	3020080022520	5/2008
KR	20-2005-0028284	12/2005	KR	30-2008-0006131	8/2008
KR	20-2005-0028286	12/2005	KR	30-2007-0042110	11/2008
KR	10-2004-0033164	3/2006	KR	20-1999-0018990	12/2008
KR	20-2006-0008886	6/2006	KR	20-2006-0027748	12/2008
KR	20-2006000886	6/2006	KR	20-2006-0027749	12/2008
KR	30-2006-0030714	6/2006	KR	30-2000-0025302	12/2008
KR	10-2004-0008186	7/2006			

* cited by examiner

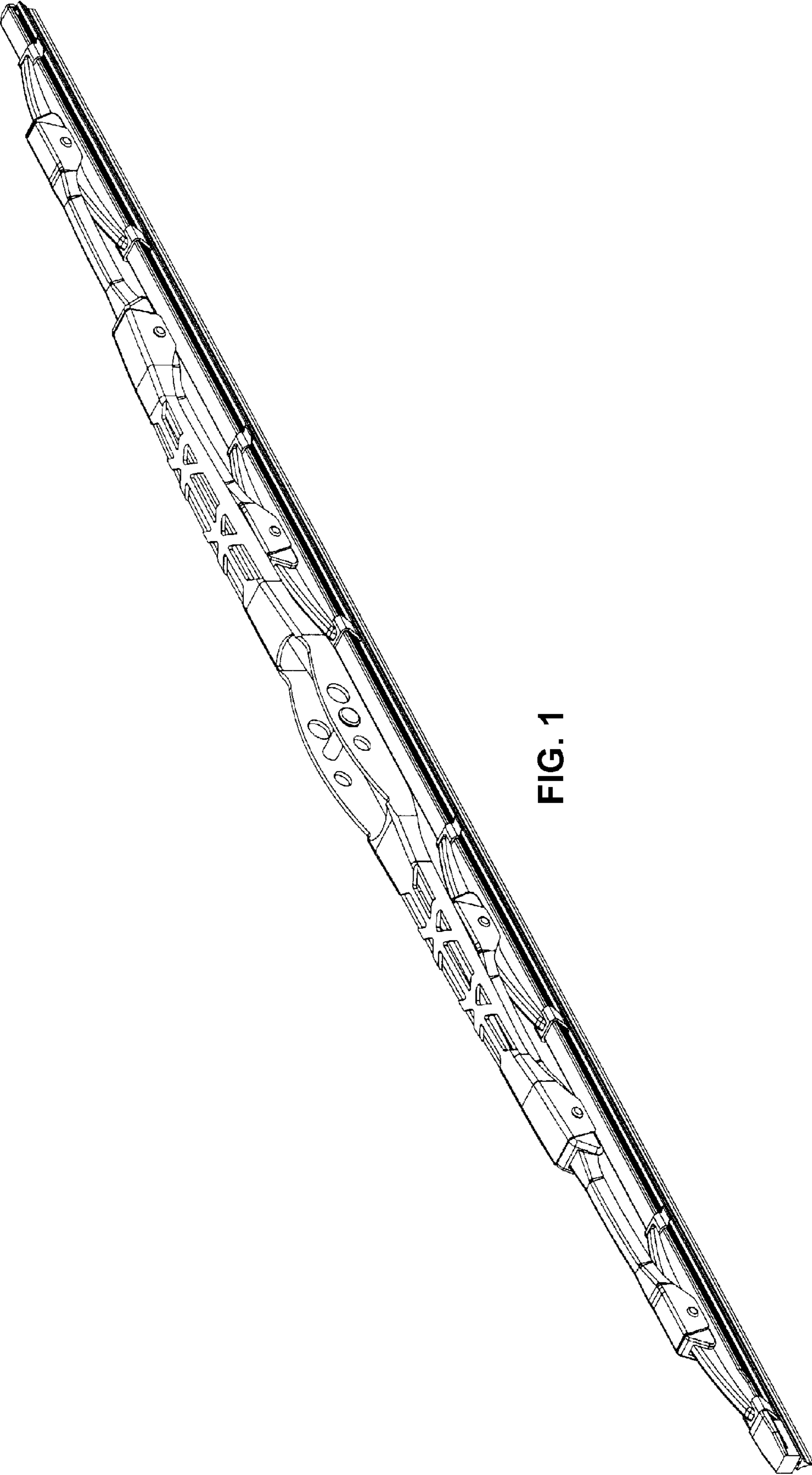


FIG. 1

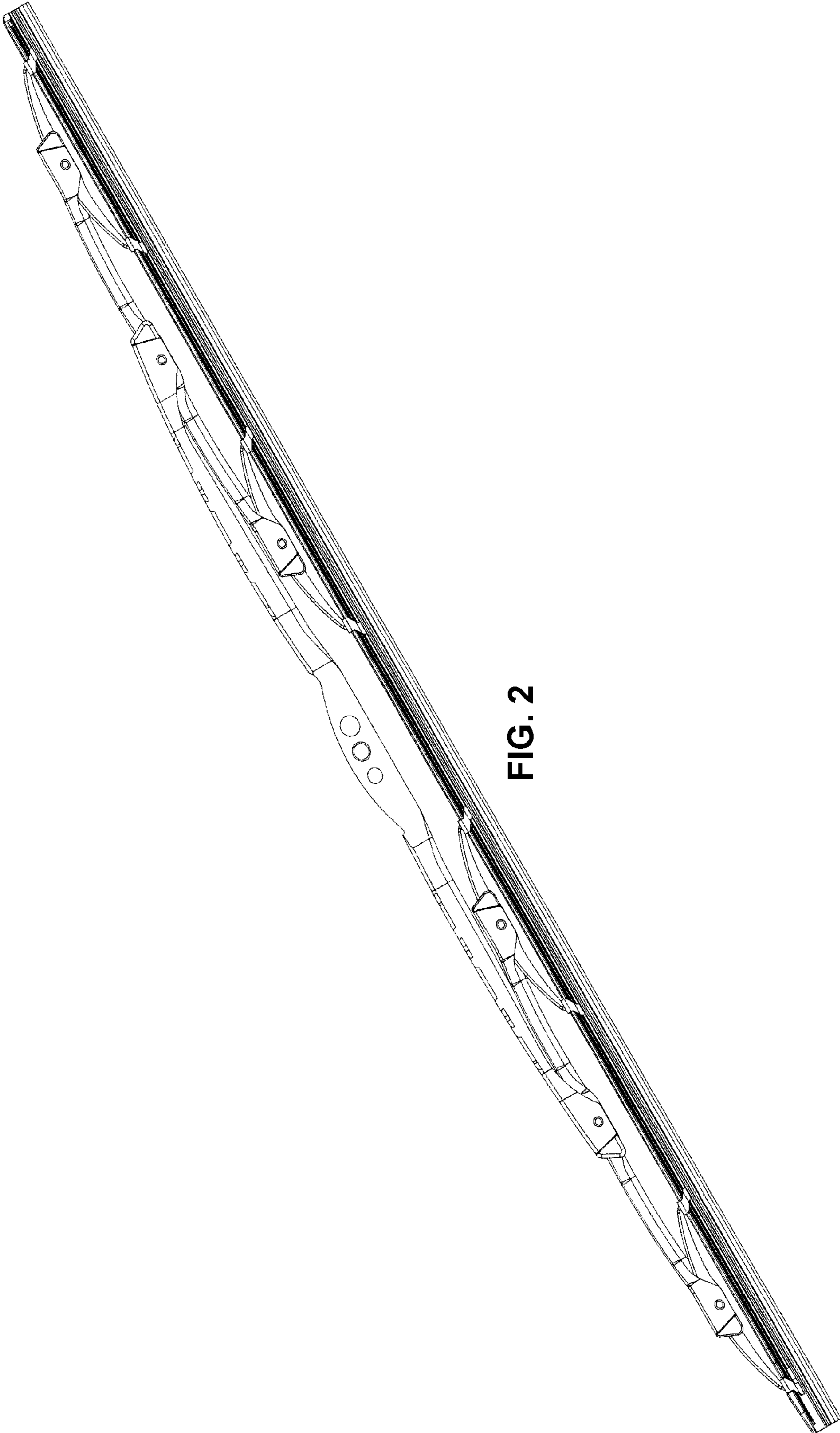


FIG. 2

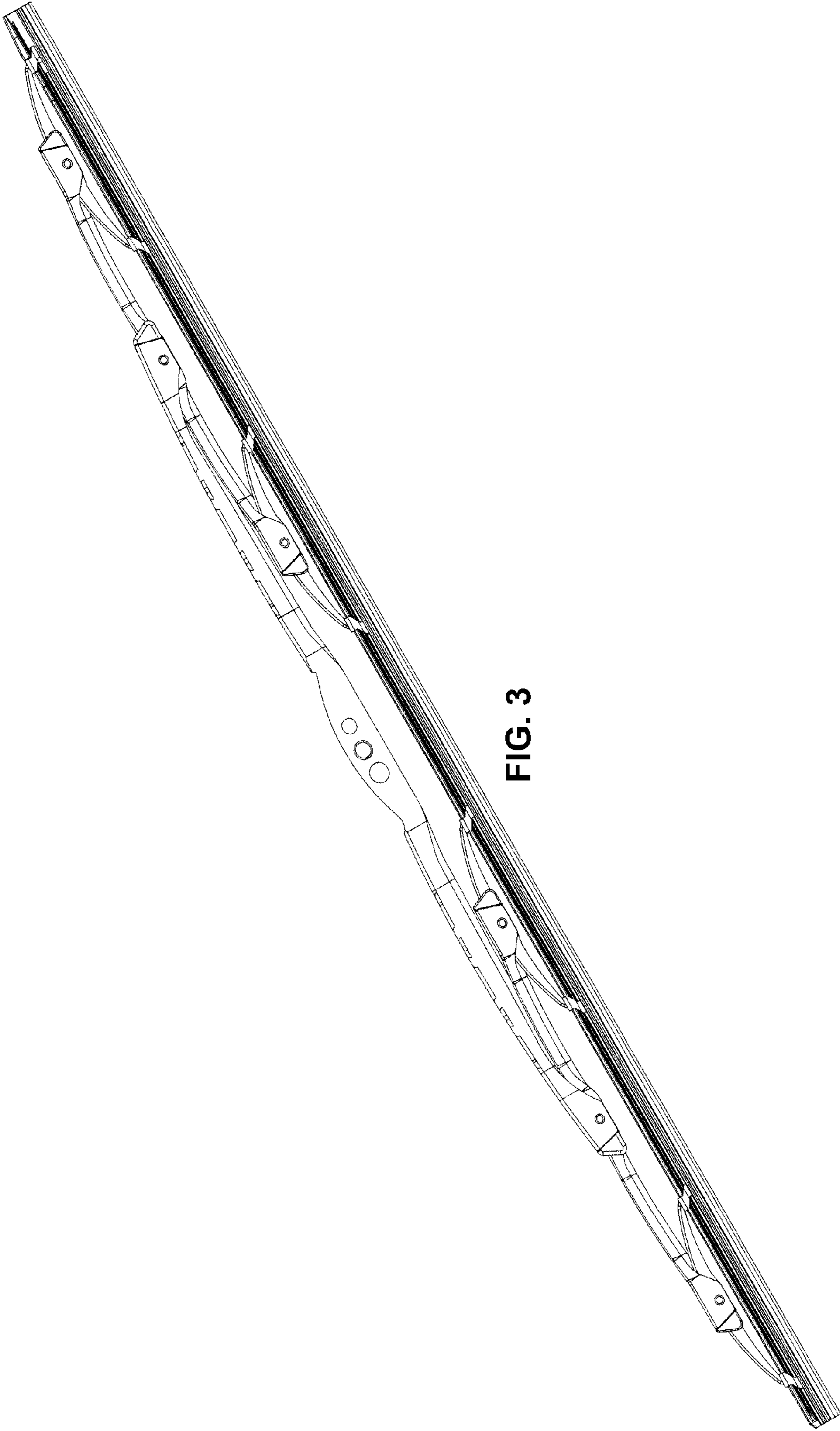


FIG. 3

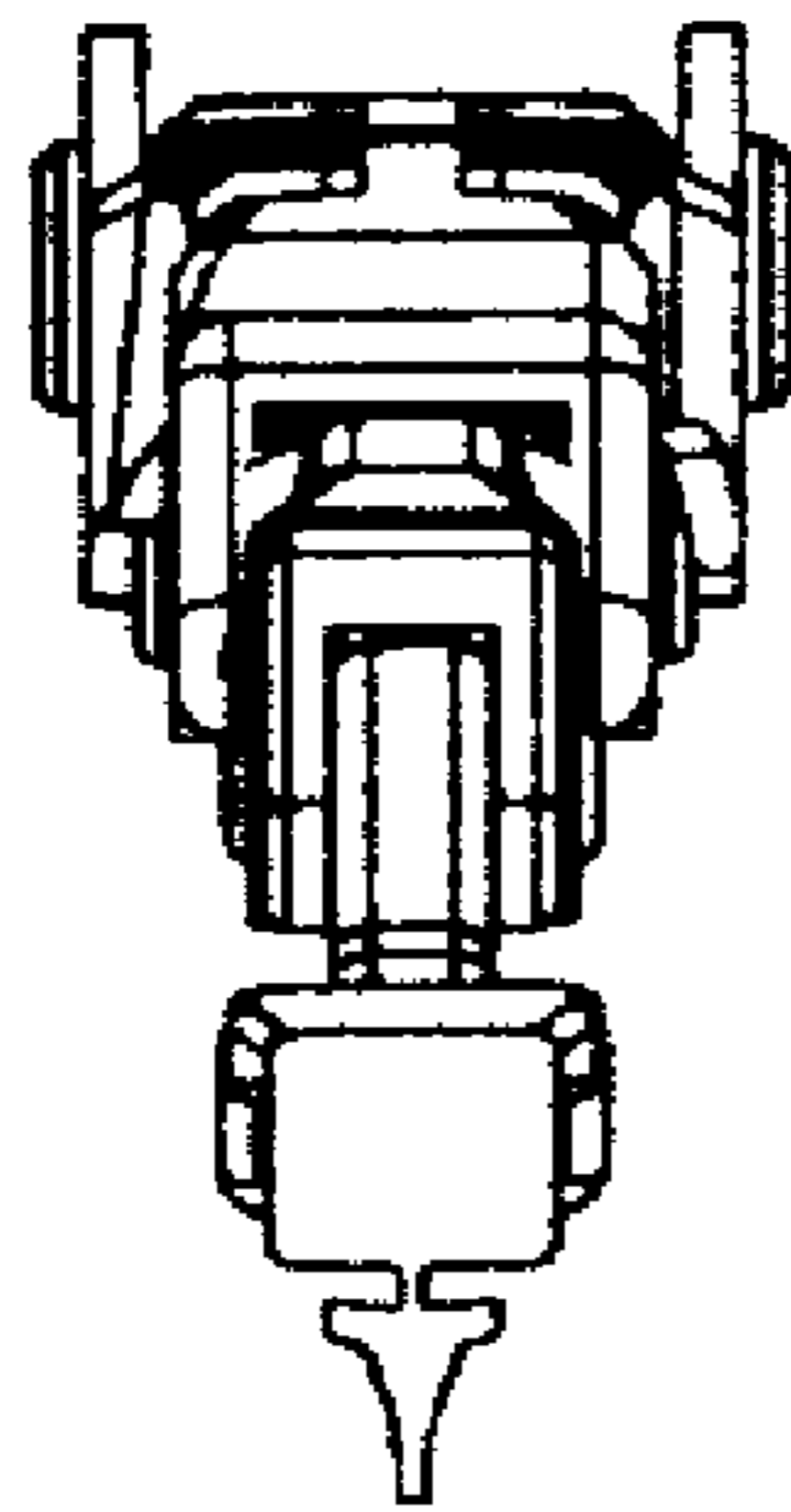


FIG. 4

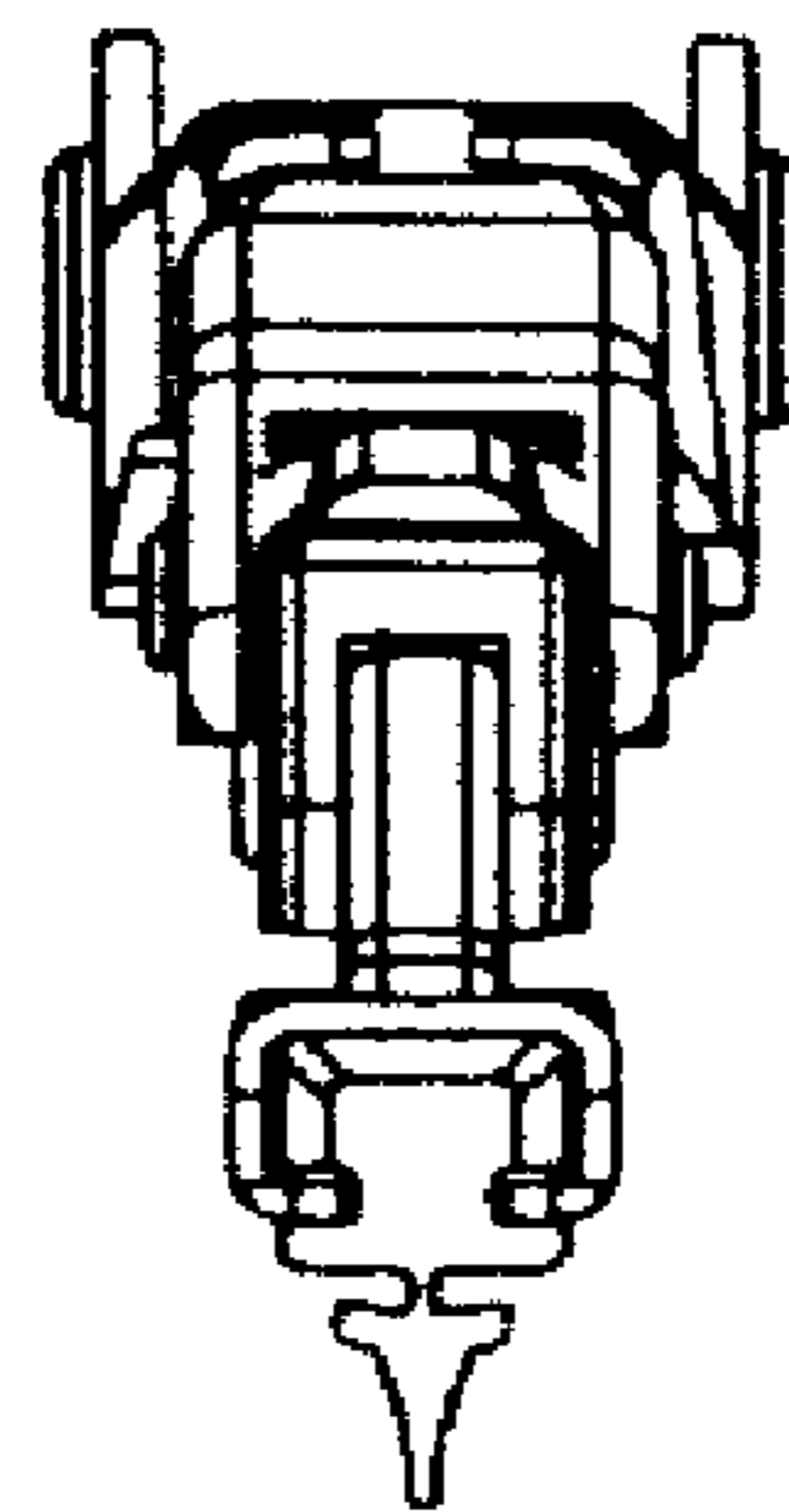


FIG. 5

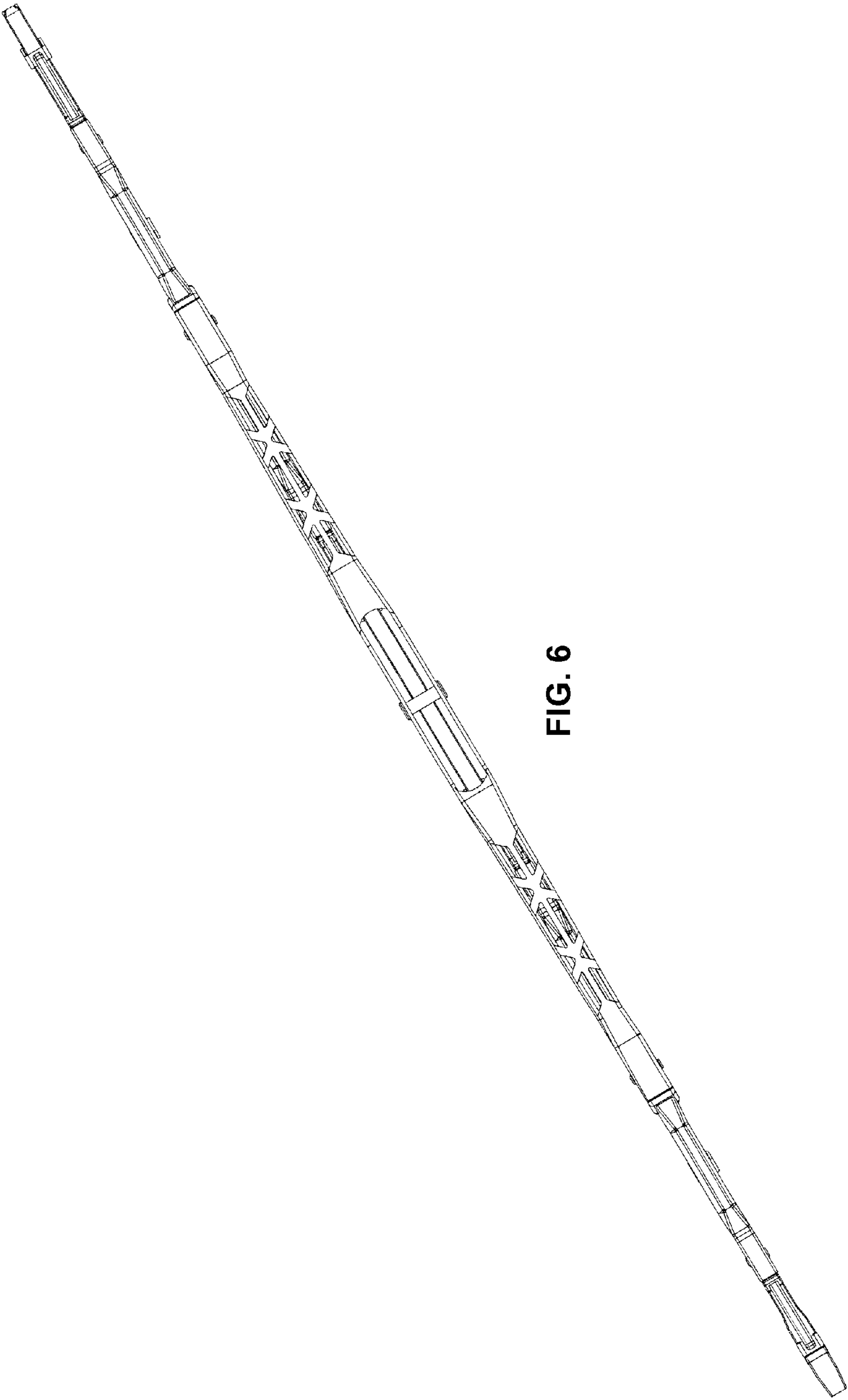
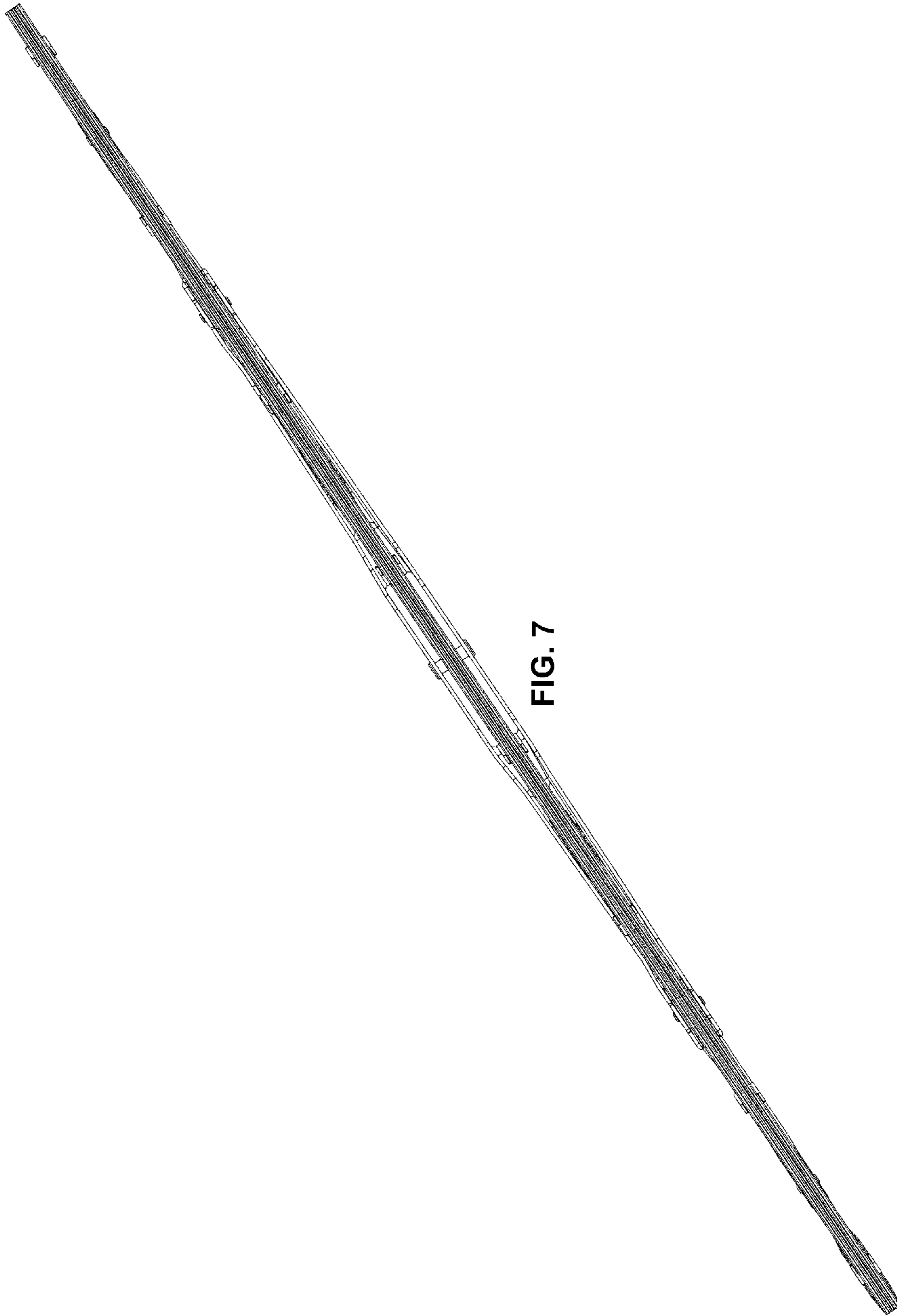


FIG. 6



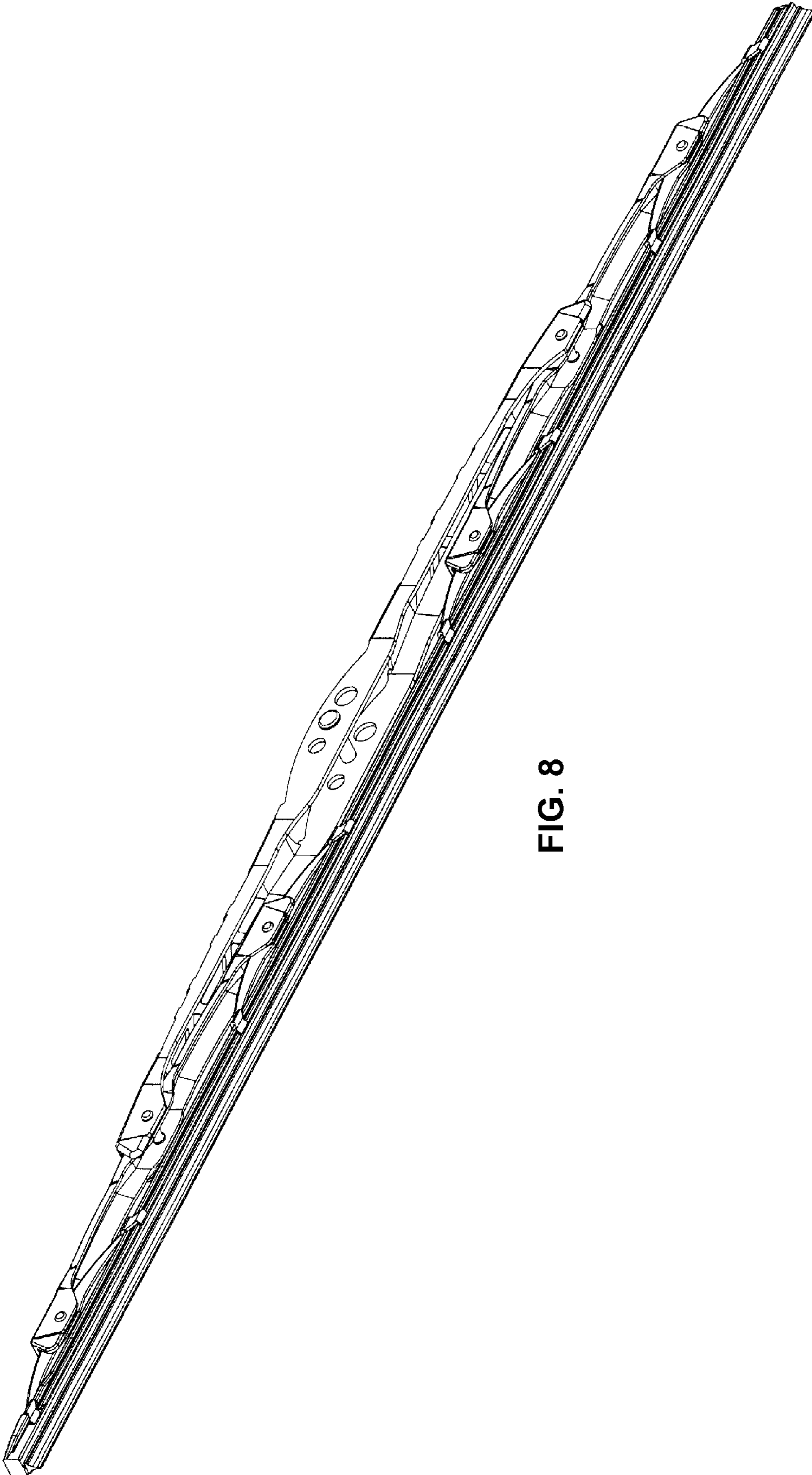


FIG. 8

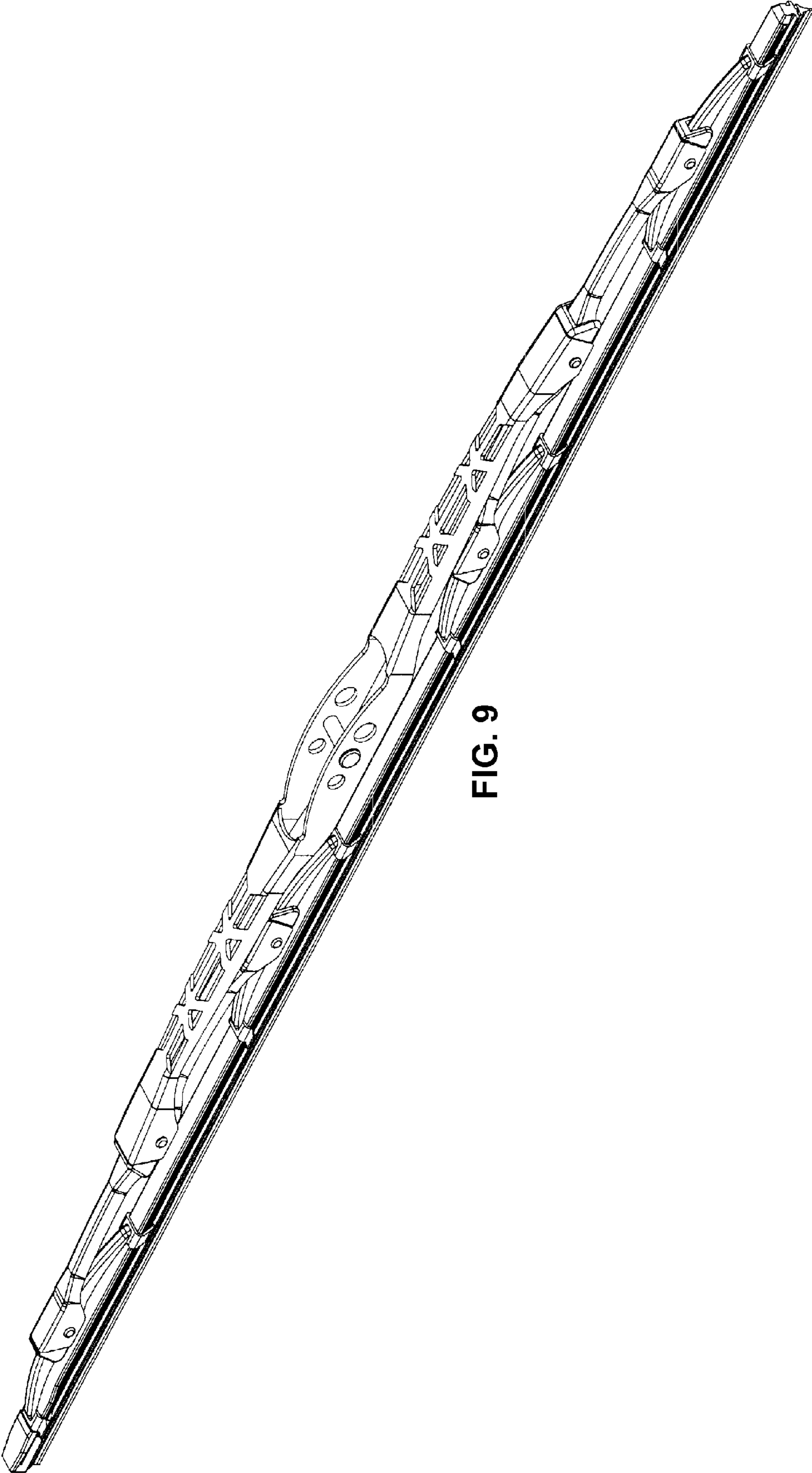


FIG. 9

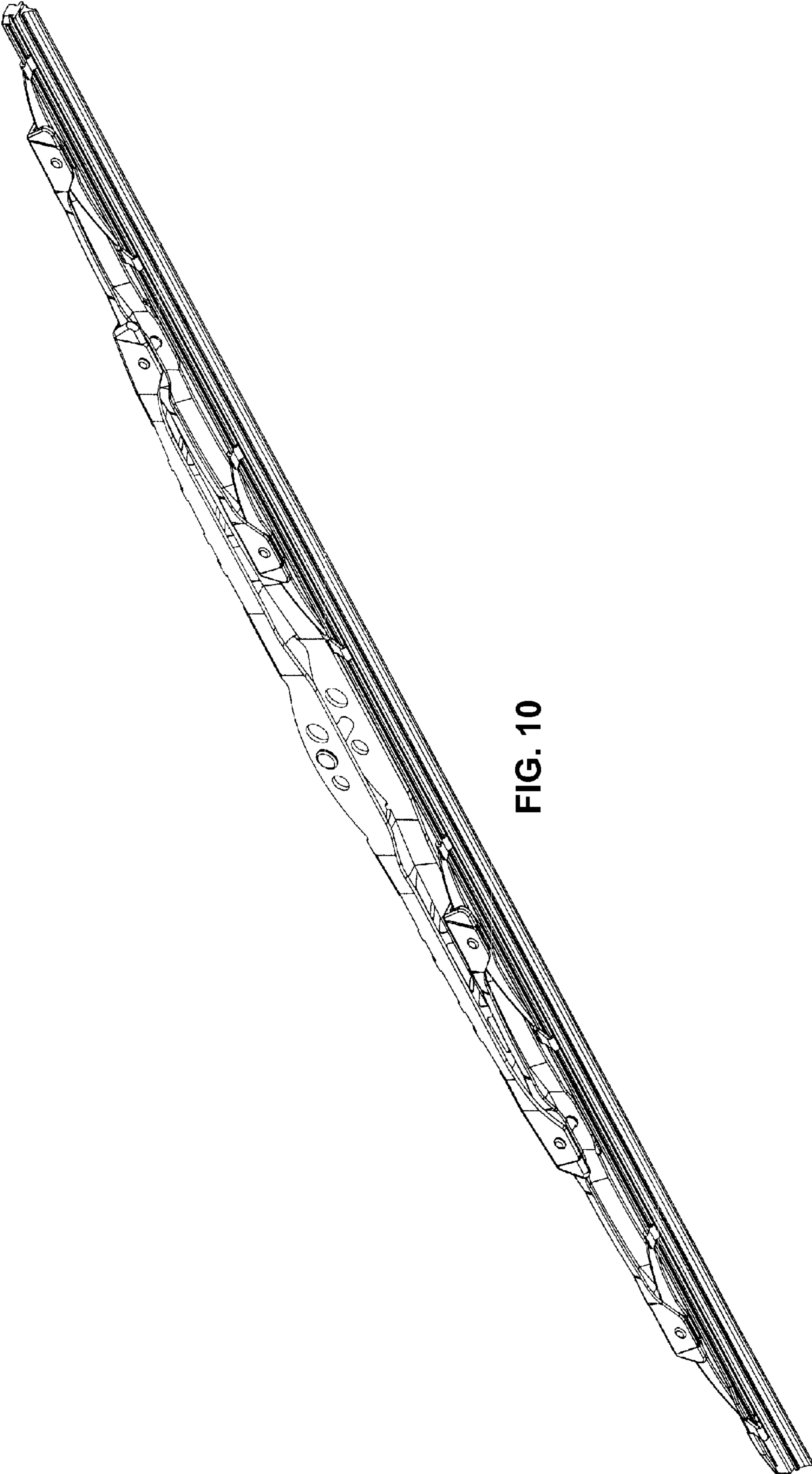


FIG. 10