

US00D615472S

(12) **United States Design Patent**
Maier et al.

(10) **Patent No.:** **US D615,472 S**

(45) **Date of Patent:** **** May 11, 2010**

(54) **FENDER EXTENSION OF A TRUCK VEHICLE**

(75) Inventors: **David L. Maier**, Fort Wayne, IN (US);
Nikki Buzalski, Fort Wayne, IN (US)

(73) Assignee: **International Truck Intellectual Property Company, LLC**, Warrenville, IL (US)

(**) Term: **14 Years**

(21) Appl. No.: **29/296,220**

(22) Filed: **Oct. 16, 2007**

(51) **LOC (9) Cl.** **12-16**

(52) **U.S. Cl.** **D12/196**

(58) **Field of Classification Search** D12/196,
D12/184, 93, 96, 173; 280/152.1, 847-849,
280/851, 153.1

See application file for complete search history.

(56) **References Cited**

U.S. PATENT DOCUMENTS

D293,311 S	*	12/1987	Strosek	D12/169
D401,198 S	*	11/1998	Mueller et al.	D12/173
D437,574 S	*	2/2001	Beigel	D12/173
D445,361 S		7/2001	Tirey et al.		
D447,989 S	*	9/2001	Price	D12/184
D474,429 S	*	5/2003	Weber et al.	D12/184
D482,993 S		12/2003	Conway et al.		
D495,644 S		9/2004	Perfetti et al.		
D502,904 S		3/2005	Delashaw et al.		
D514,997 S	*	2/2006	Hall et al.	D12/196
D524,204 S		7/2006	Beigel		
D540,727 S		4/2007	Elliott et al.		

D542,199 S	*	5/2007	Acton et al.	D12/184
D545,255 S		6/2007	Angelo et al.		
D560,149 S	*	1/2008	Leclercq	D12/184
D563,297 S	*	3/2008	Sinkwitz	D12/184
D563,853 S	*	3/2008	Rosen et al.	D12/184
D566,635 S	*	4/2008	Rosen et al.	D12/184
D573,508 S	*	7/2008	Brown, Jr.	D12/92

* cited by examiner

Primary Examiner—Robert M Spear

Assistant Examiner—Cynthia Underwood

(74) *Attorney, Agent, or Firm*—Jeffrey P. Calfa; Mark C. Bach; Gerald W. Askew

(57) **CLAIM**

The ornamental design for a fender extension of a truck vehicle, as shown and described.

DESCRIPTION

FIG. 1 is a left, front perspective view of a left hand embodiment of a fender extension of a truck vehicle showing our new design;

FIG. 2 is a front view thereof;

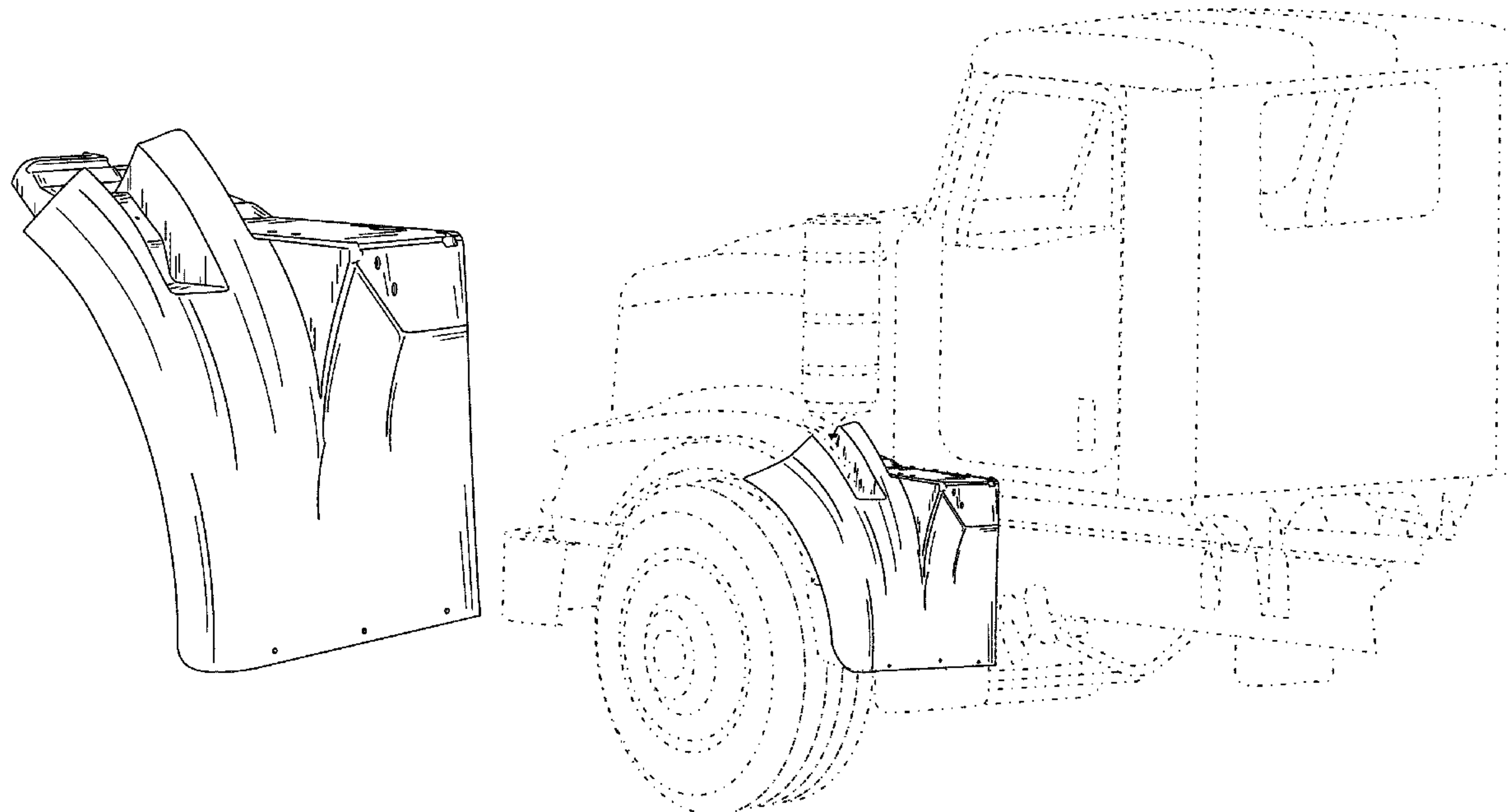
FIG. 3 is a rear view thereof;

FIG. 4 is a left view thereof;

FIG. 5 is a top view thereof; and,

FIG. 6 is a left, front perspective view of a left hand embodiment of a fender extension of a truck vehicle in an installed position on a truck vehicle, it may be understood that the broken lines are for illustrative purposes only and form no part of the claimed design.

1 Claim, 4 Drawing Sheets



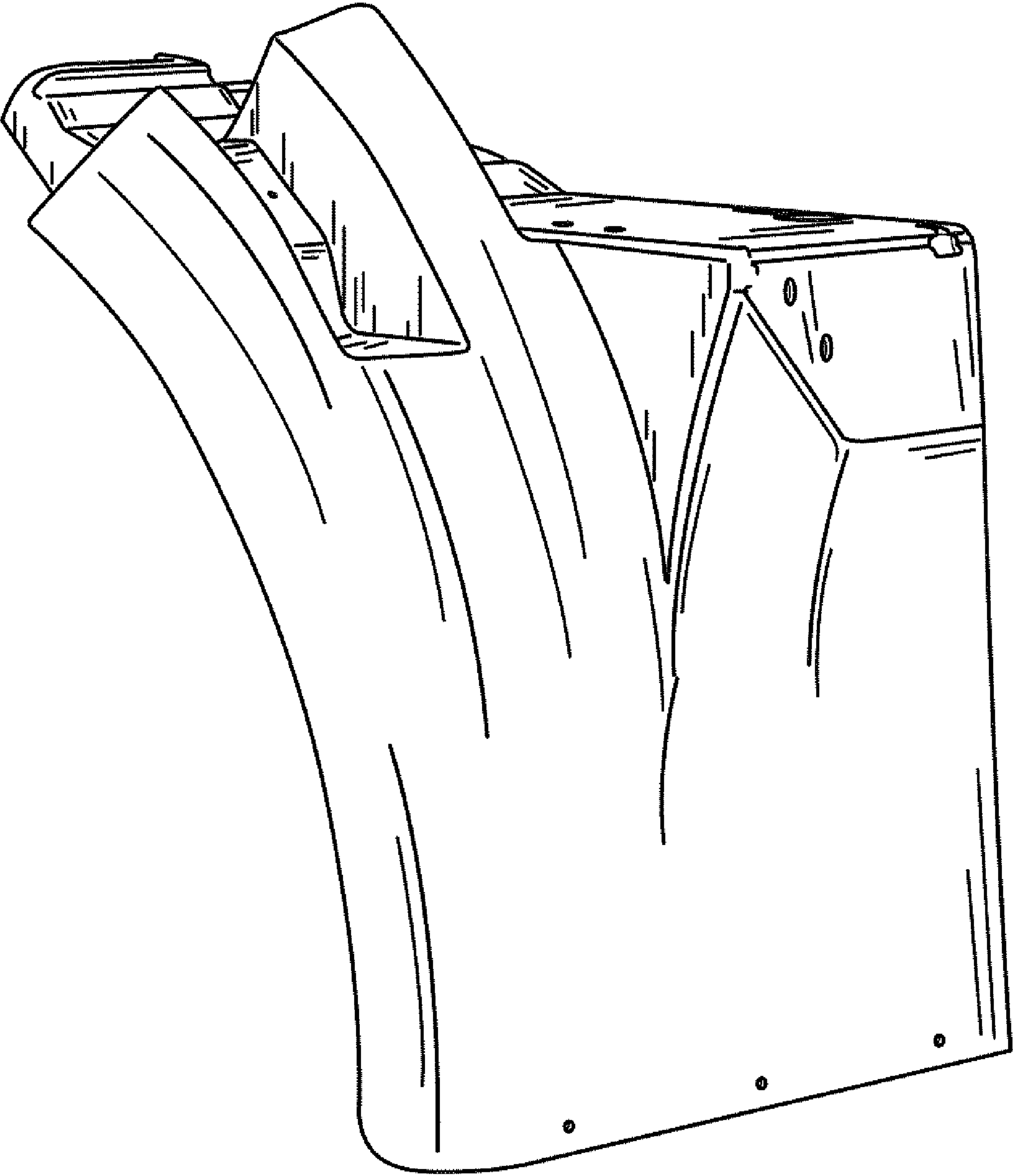


FIG. 1

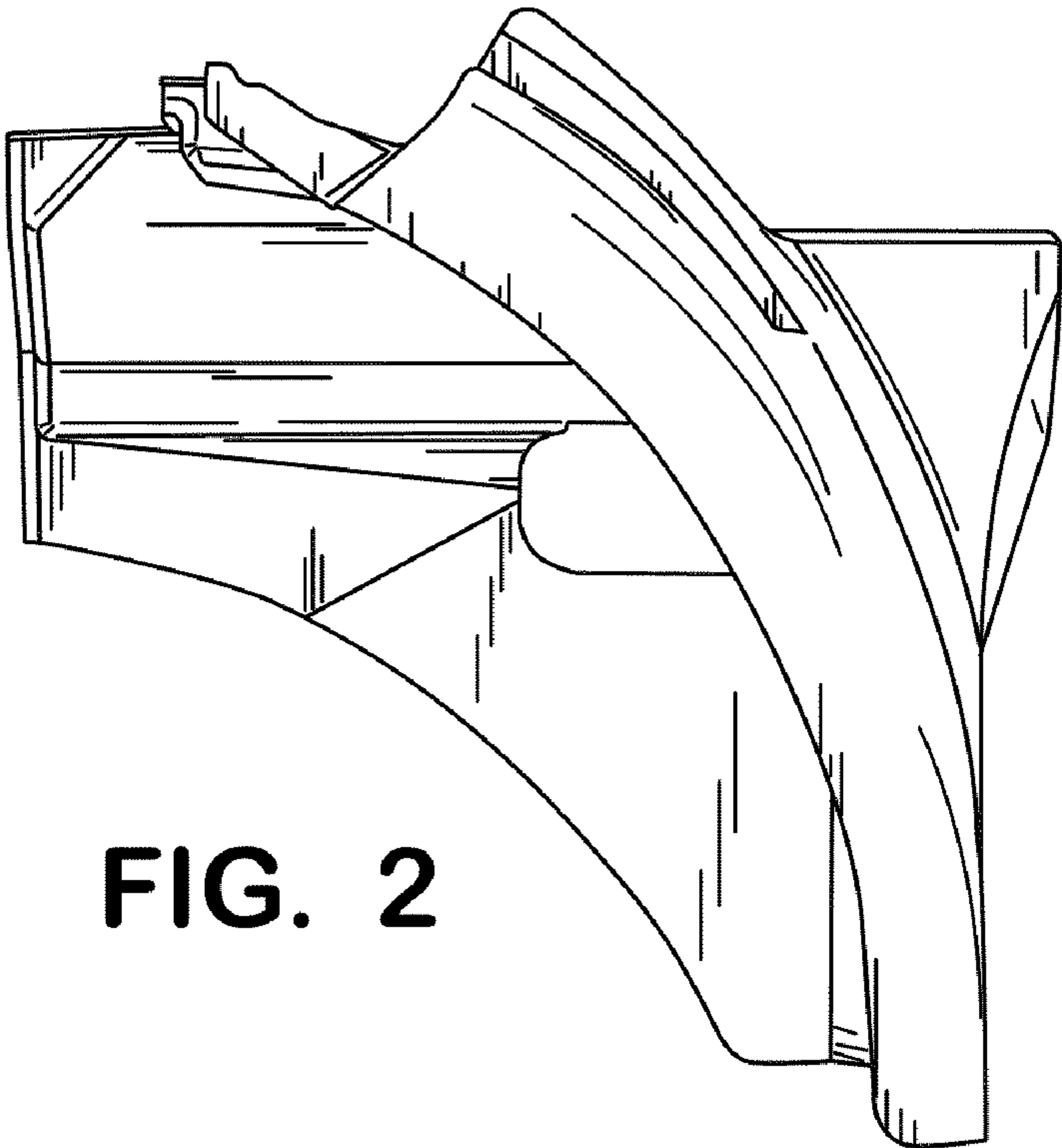


FIG. 2

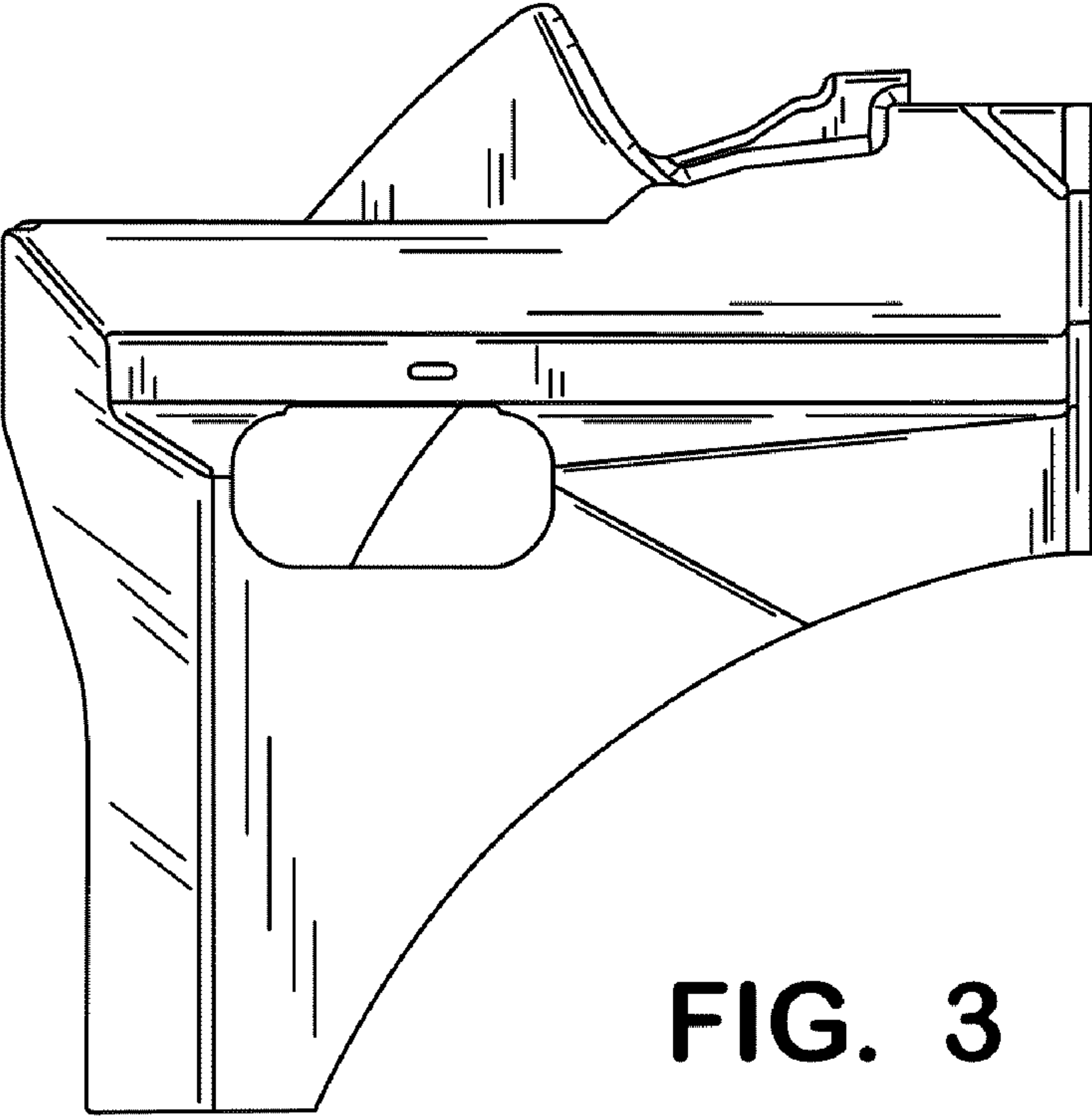


FIG. 3

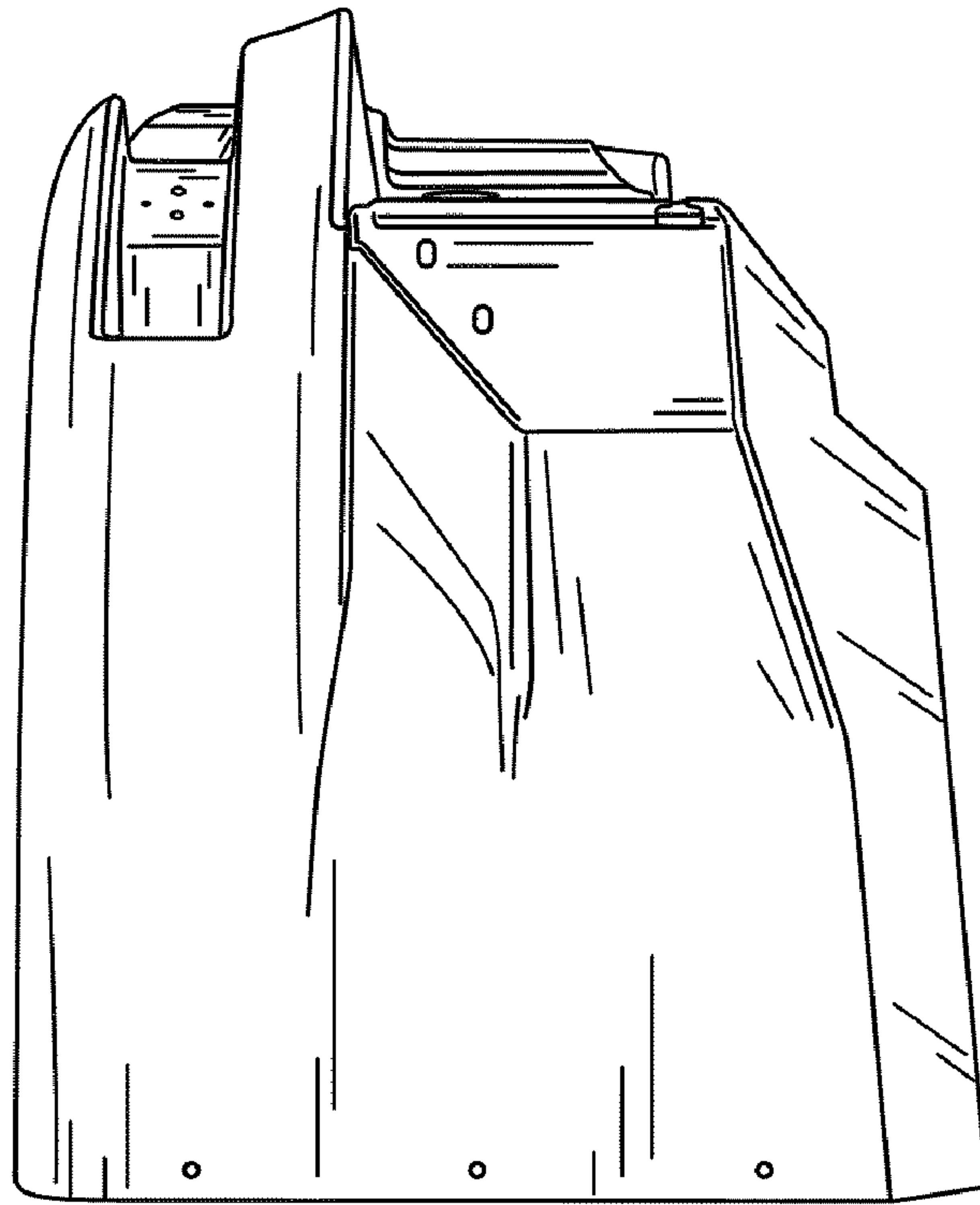


FIG. 4

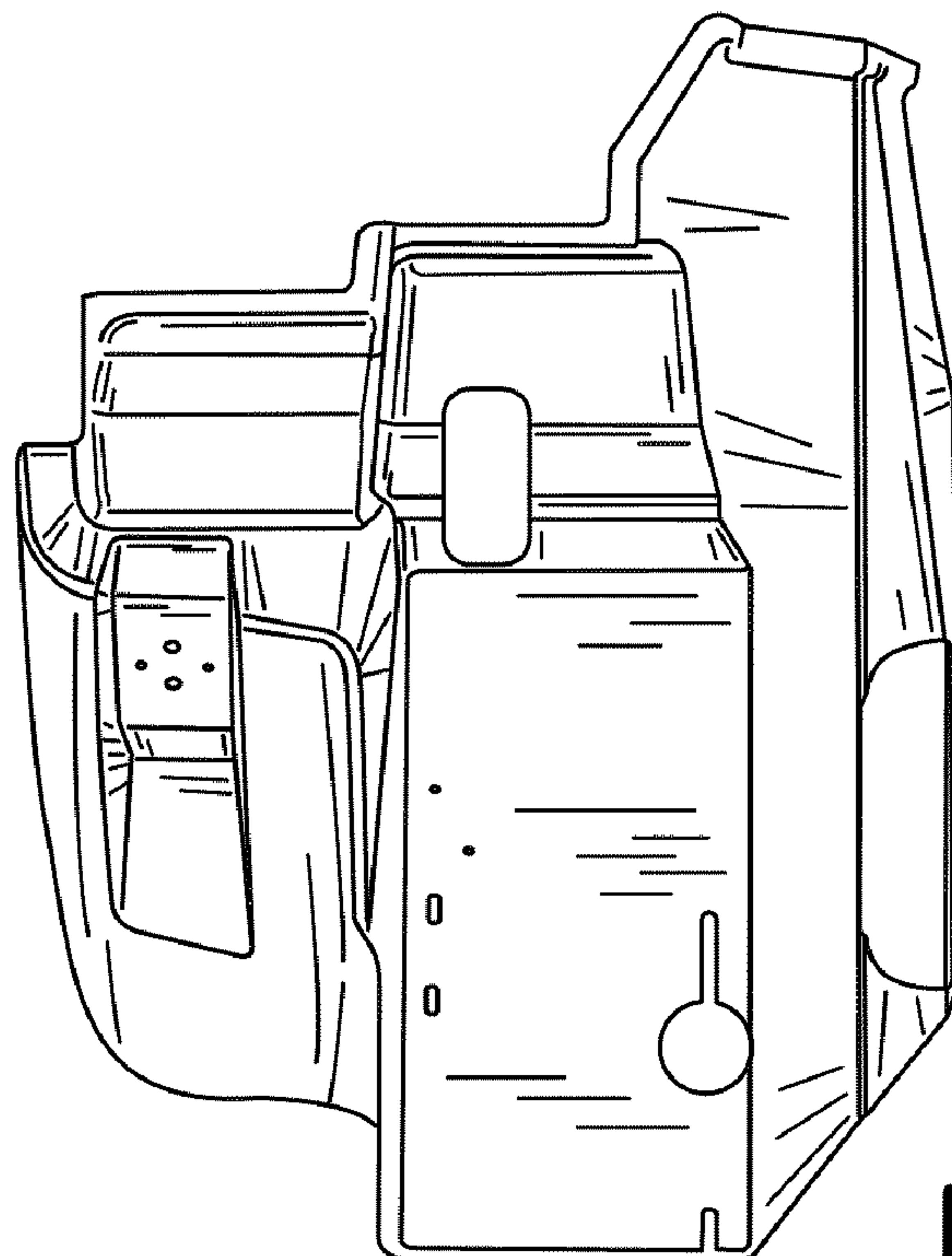


FIG. 5

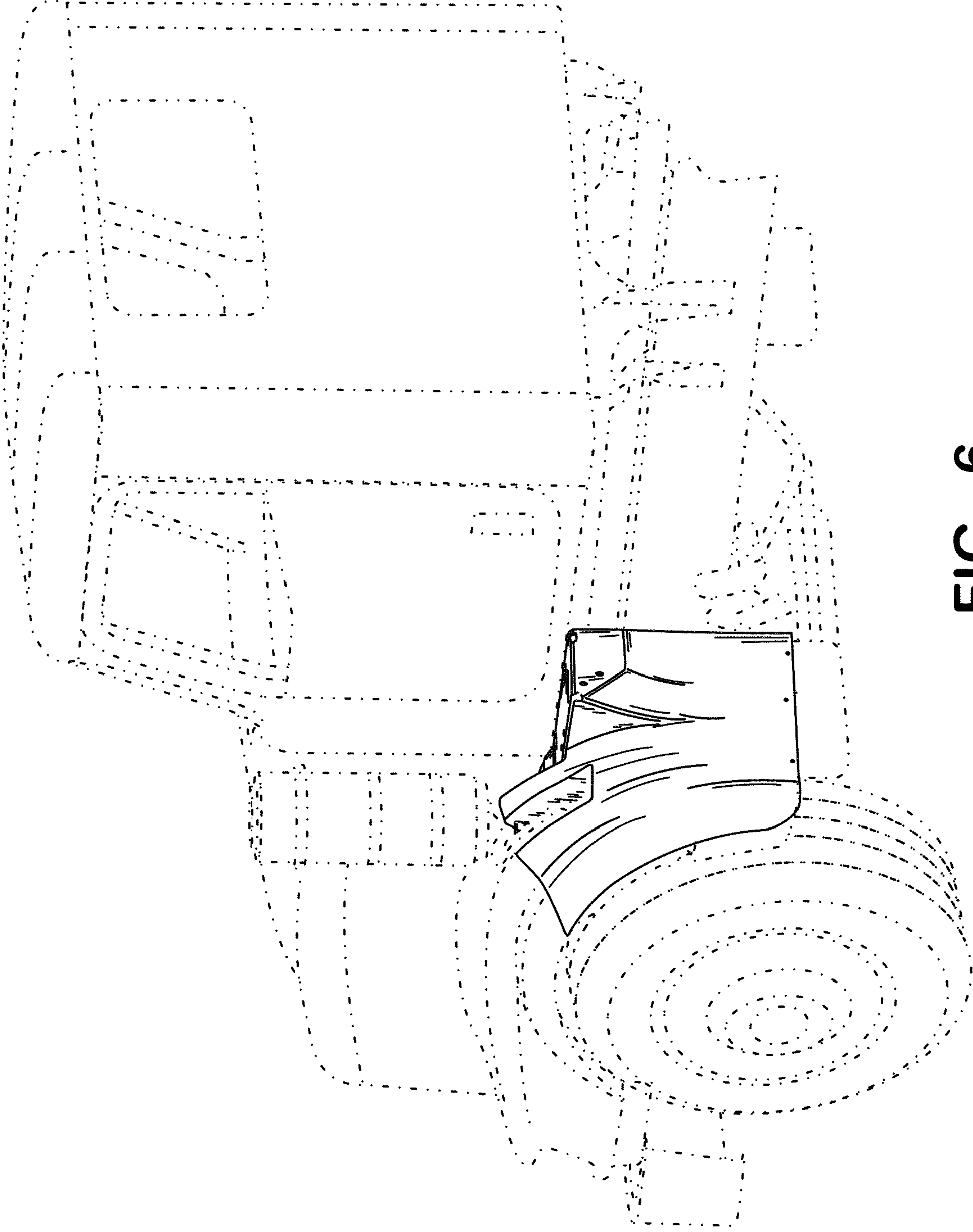


FIG. 6