



US00D615465S

(12) **United States Design Patent**
Fujiwara et al.

(10) **Patent No.:** **US D615,465 S**
(45) **Date of Patent:** **** May 11, 2010**

(54) **FRONT BUMPER FOR AN AUTOMOBILE**

(75) Inventors: **Yuji Fujiwara**, Toyota (JP); **Tatsuya Takei**, Toyota (JP)

(73) Assignee: **Toyota Jidosha Kabushiki Kaisha** (JP)

(**) Term: **14 Years**

(21) Appl. No.: **29/342,293**

(22) Filed: **Aug. 21, 2009**

(51) **LOC (9) Cl.** **12-16**

(52) **U.S. Cl.** **D12/169**

(58) **Field of Classification Search** D12/169,
D12/196, 171, 216, 163, 86, 90-92; 293/102,
293/113, 115, 117, 120; 296/180.1, 180.2
See application file for complete search history.

(56) **References Cited**

U.S. PATENT DOCUMENTS

D579,387 S	*	10/2008	Akasawa et al.	D12/169
D579,388 S	*	10/2008	Akasawa et al.	D12/169
D584,201 S	*	1/2009	Kamimura	D12/169
D591,211 S	*	4/2009	Hayashi et al.	D12/169
D592,573 S	*	5/2009	Asakura et al.	D12/169
D594,390 S	*	6/2009	Akasawa et al.	D12/169
D600,175 S	*	9/2009	Yamazaki et al.	D12/169

OTHER PUBLICATIONS

Mercedes GL, www.netcarshow.com, available at least as early as Aug. 4, 2009.

Toyota Highlander, www.netcarshow.com, available at least as early as Aug. 4, 2009.

Jeep Patriot, www.netcarshow.com, available at least as early as Aug. 4, 2009.

* cited by examiner

Primary Examiner—Melody N Brown

(74) *Attorney, Agent, or Firm*—Saidman DesignLaw Group

(57) **CLAIM**

The ornamental design for a front bumper for an automobile, as shown and described.

DESCRIPTION

FIG. 1 is a perspective view of a front bumper for an automobile showing our new design;

FIG. 2 is a front view thereof;

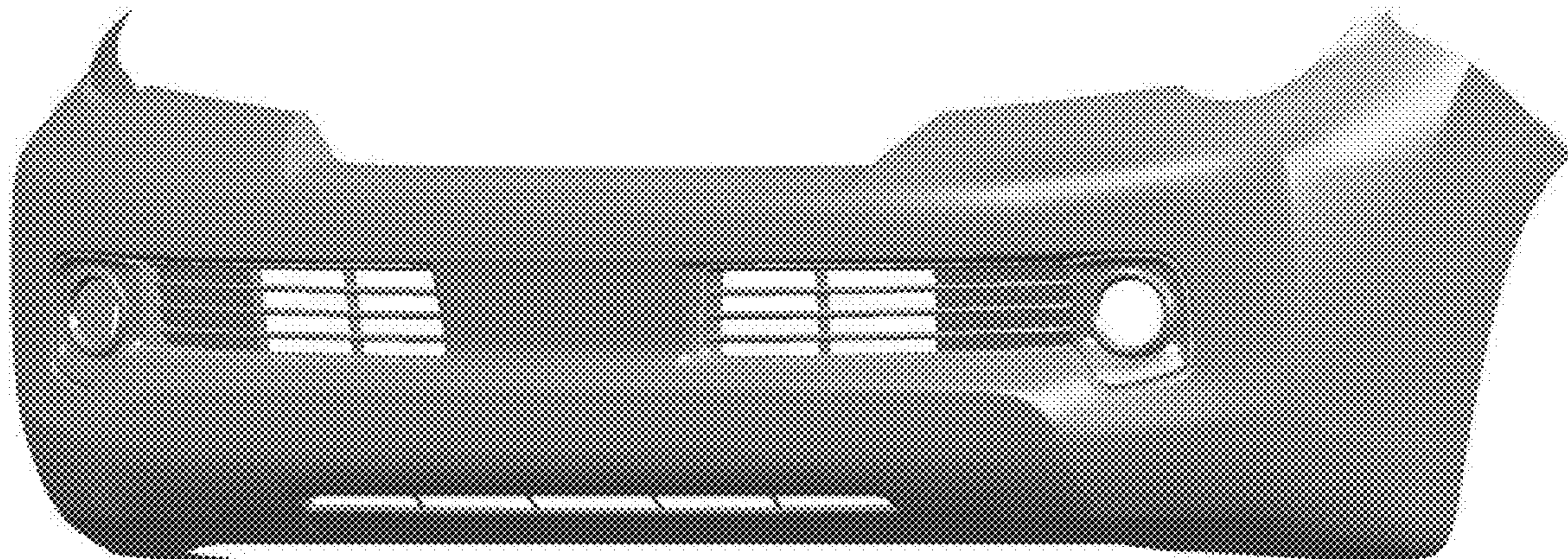
FIG. 3 is a top view thereof;

FIG. 4 is a bottom view thereof;

FIG. 5 is a left-side view thereof; and,

FIG. 6 is a right-side view thereof.

1 Claim, 2 Drawing Sheets



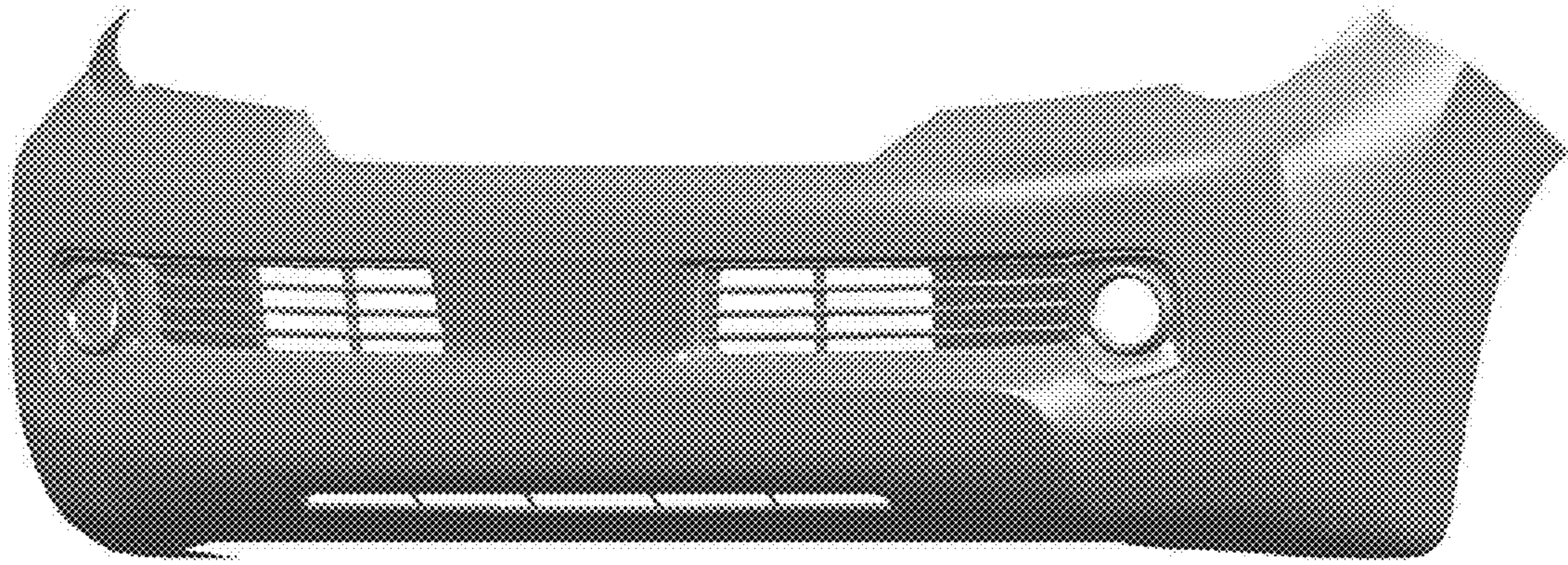


FIG. 1

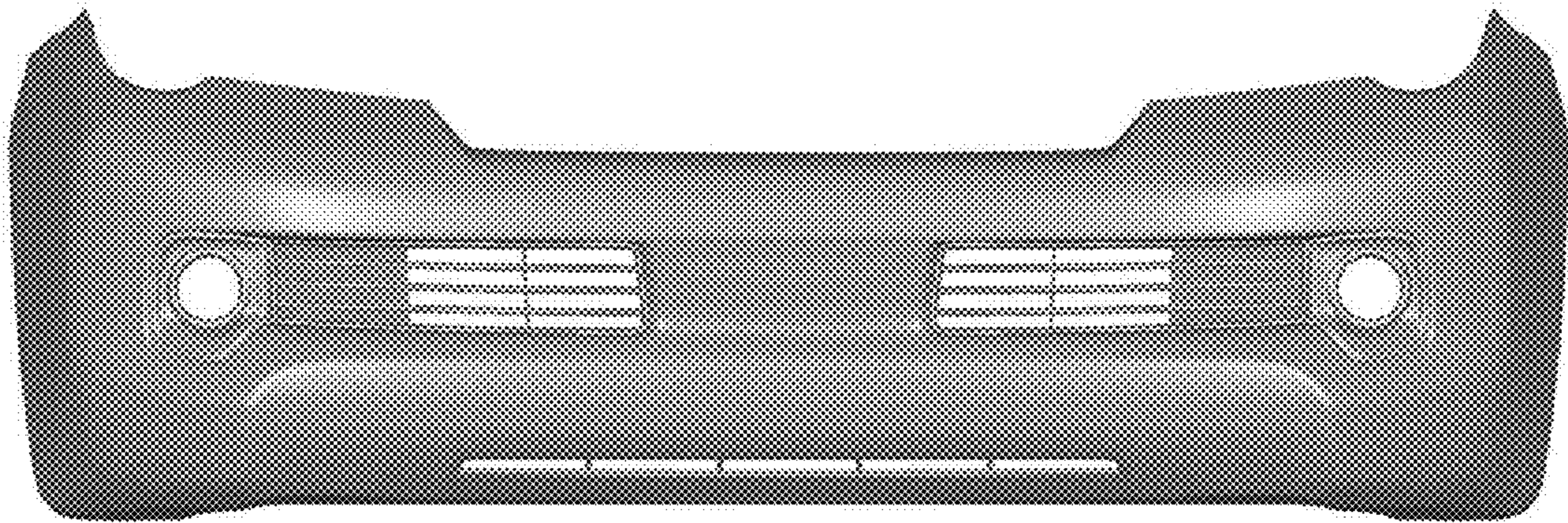


FIG. 2

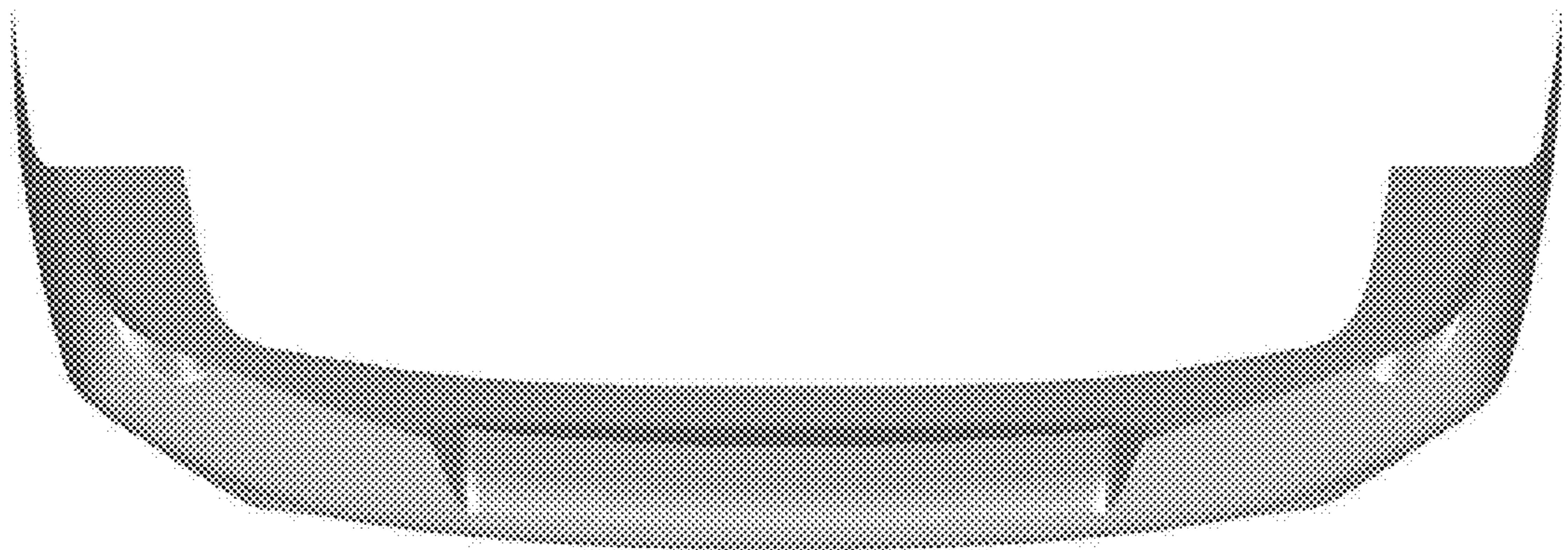


FIG. 3

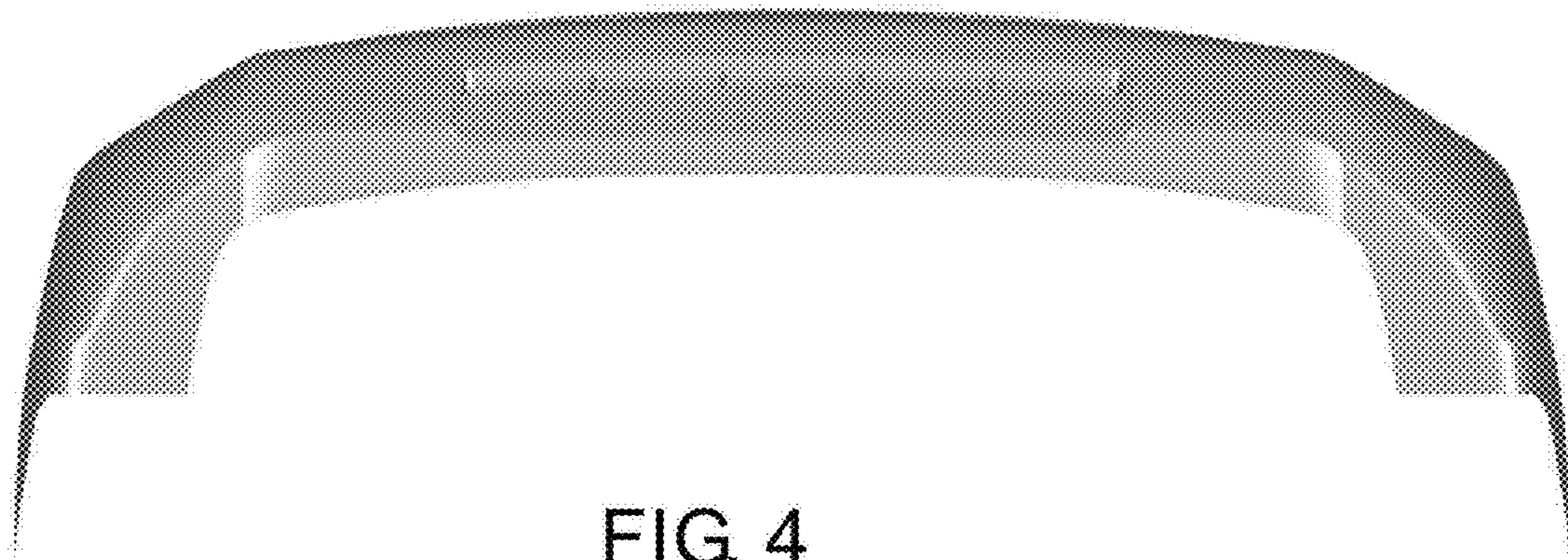


FIG. 4

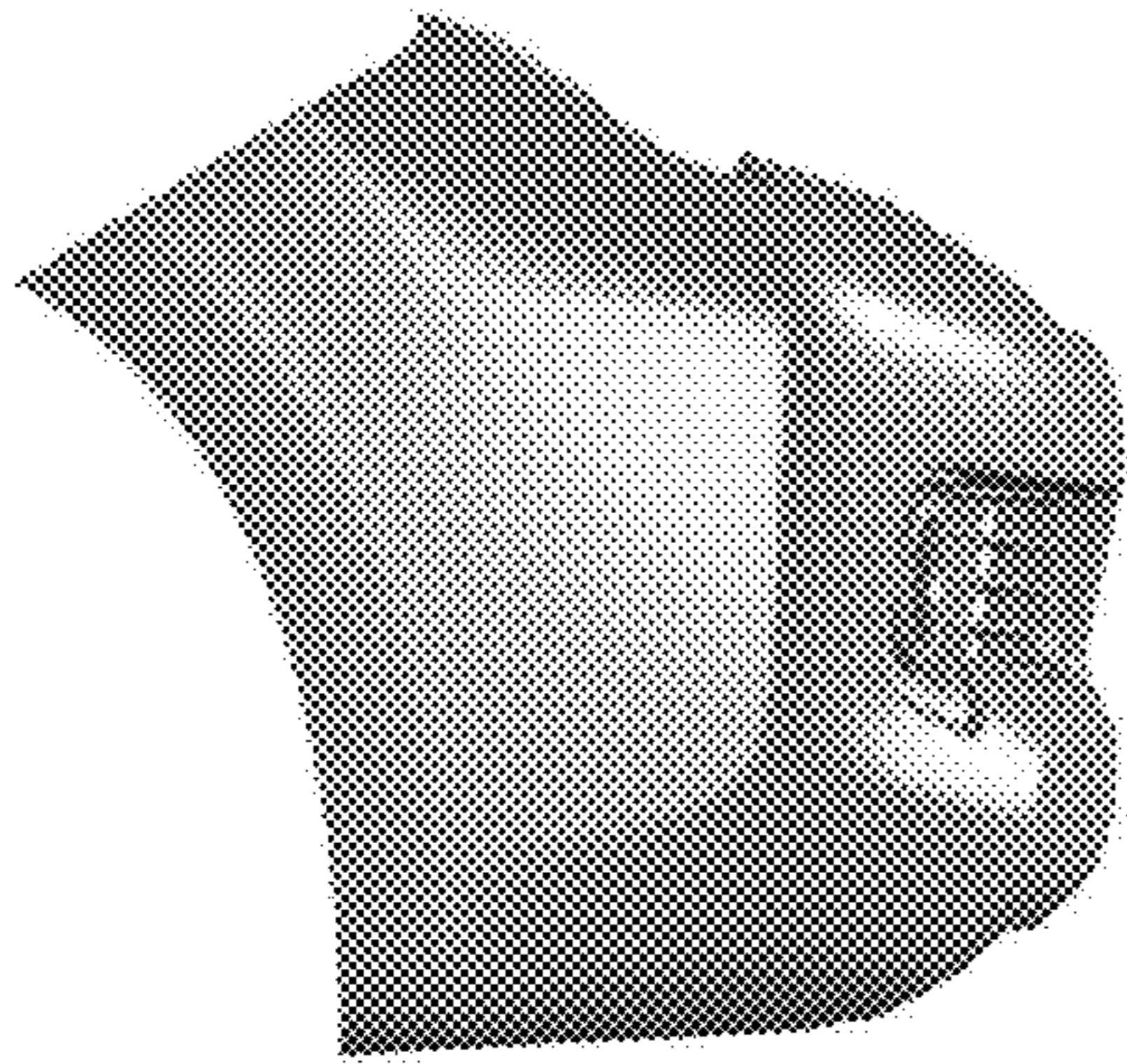


FIG. 5

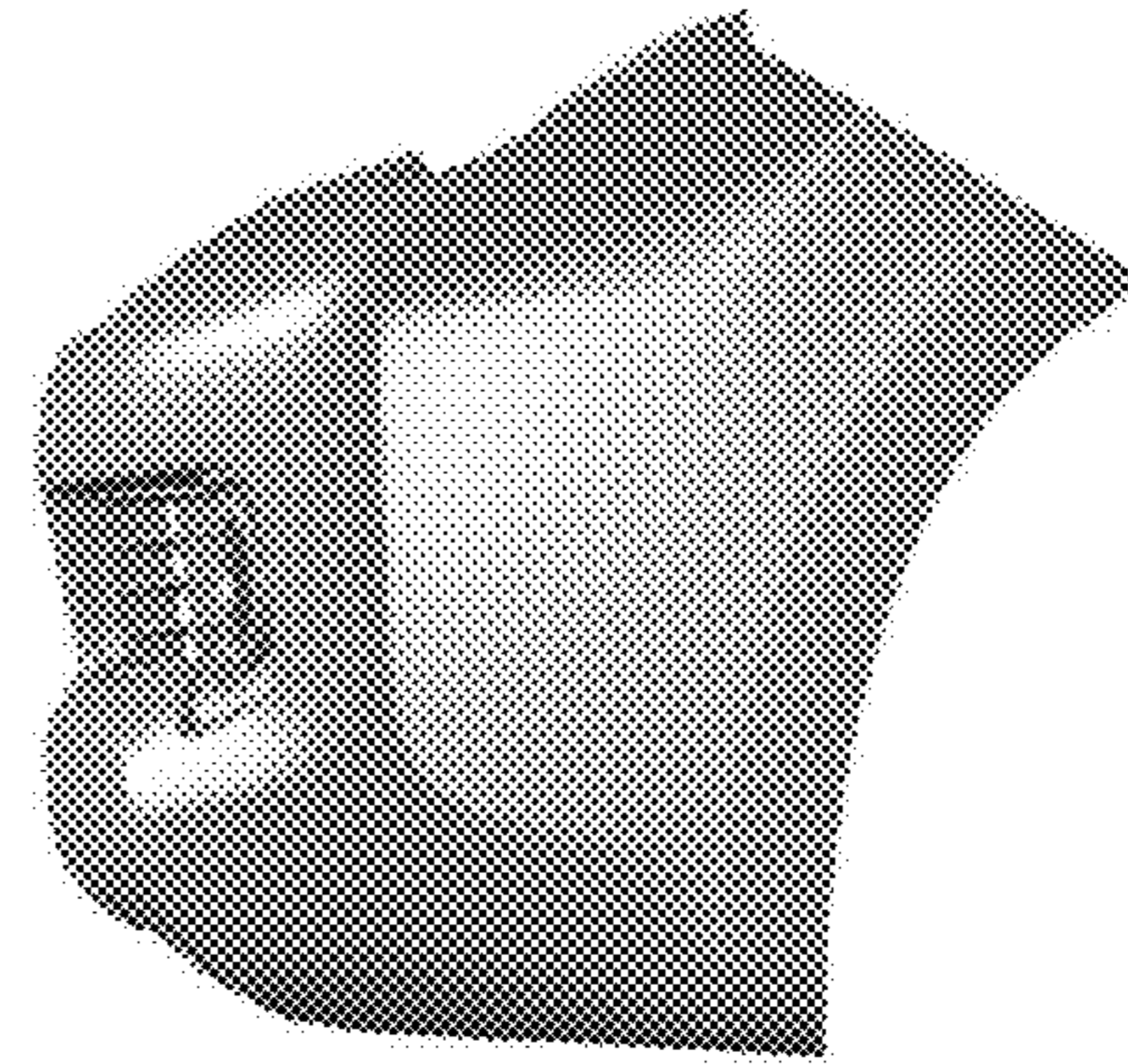


FIG. 6