



US00D615462S

(12) **United States Design Patent**
Barrette

(10) **Patent No.:** **US D615,462 S**
(45) **Date of Patent:** **** May 11, 2010**

(54) **TRAILER COUPLER LOCK**

(75) Inventor: **Jeffrey N. Barrette**, Brooklyn, CT (US)

(73) Assignee: **Keeper Corporation**, North Windham, CT (US)

(**) Term: **14 Years**

(21) Appl. No.: **29/312,850**

(22) Filed: **Nov. 17, 2008**

(51) **LOC (9) Cl.** **12-16**

(52) **U.S. Cl.** **D12/162**

(58) **Field of Classification Search** D12/106,
D12/161-162, 199, 400; D8/330-331, 343;
70/14, 58, 232, 258; 280/186, 402-404,
280/405.1-405.2, 406.2, 415.1, 416.2, 433-434,
280/438 R, 446.1, 455.1, 480, 491.5, 507,
280/511

See application file for complete search history.

(56) **References Cited**

U.S. PATENT DOCUMENTS

D420,632 S * 2/2000 Bills D12/162
D450,231 S * 11/2001 Niswanger D8/330
6,393,874 B1 * 5/2002 Zapushek et al. 70/14

D459,970 S * 7/2002 Niswanger D8/331
7,040,646 B2 * 5/2006 Pare 280/507
D541,135 S 4/2007 Kalous et al.
D575,684 S * 8/2008 Falconer et al. D12/162
7,469,919 B2 * 12/2008 Kalous et al. 280/507
2009/0079163 A1 * 3/2009 Cuellar et al. 280/507

* cited by examiner

Primary Examiner—T. Chase Nelson
Assistant Examiner—Kathleen M Sims
(74) *Attorney, Agent, or Firm*—M. P. Williams

(57) **CLAIM**

The ornamental design for a trailer coupler lock, as shown.

DESCRIPTION

FIG. 1 is a perspective view of the front and right side of the trailer coupler lock of my design.

FIG. 2 is a perspective view of the back and right side thereof.

FIG. 3 is a front view thereof.

FIG. 4 is a right side view thereof.

FIG. 5 is a left side view thereof.

FIG. 6 is a top view thereof; and,

FIG. 7 is a bottom view thereof.

1 Claim, 3 Drawing Sheets

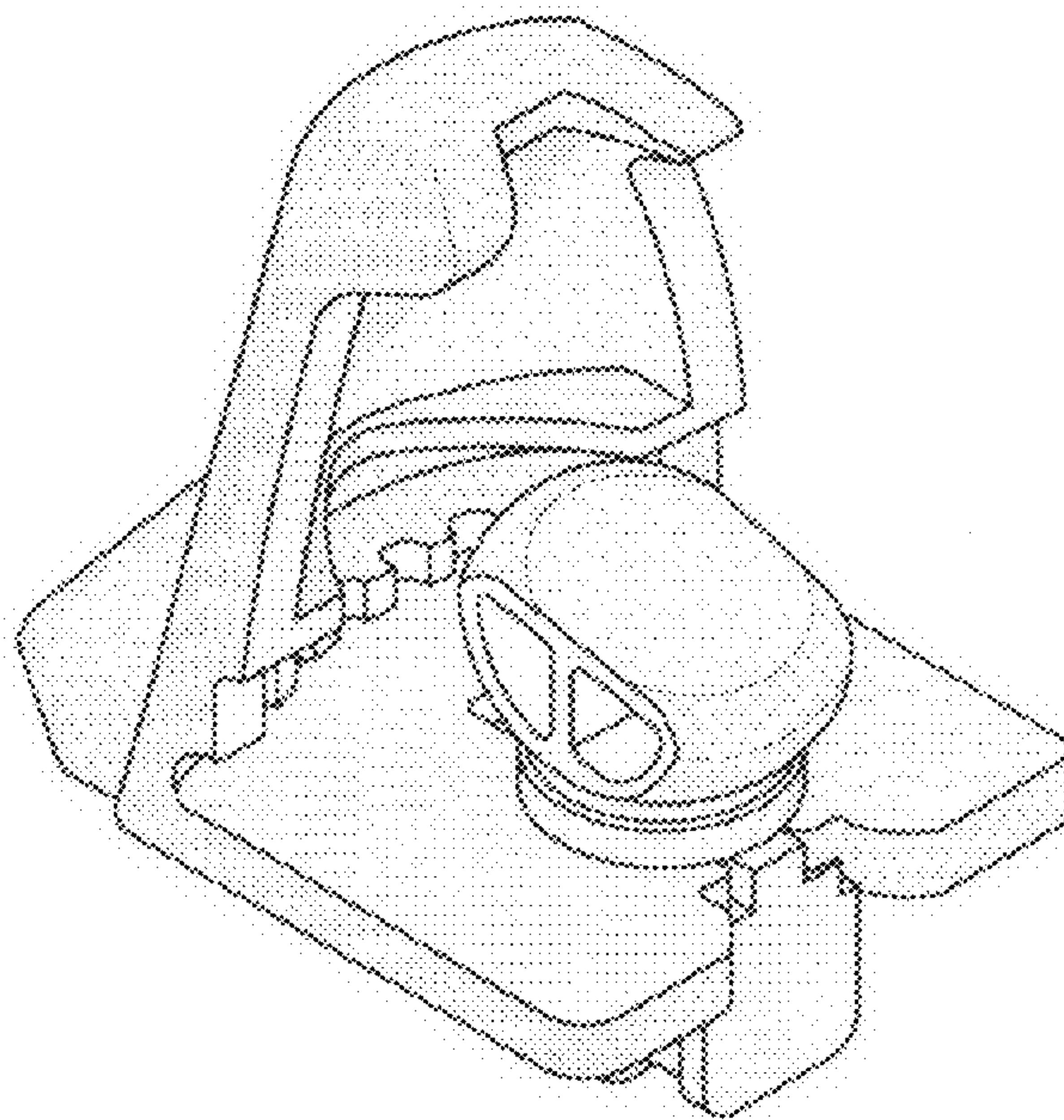
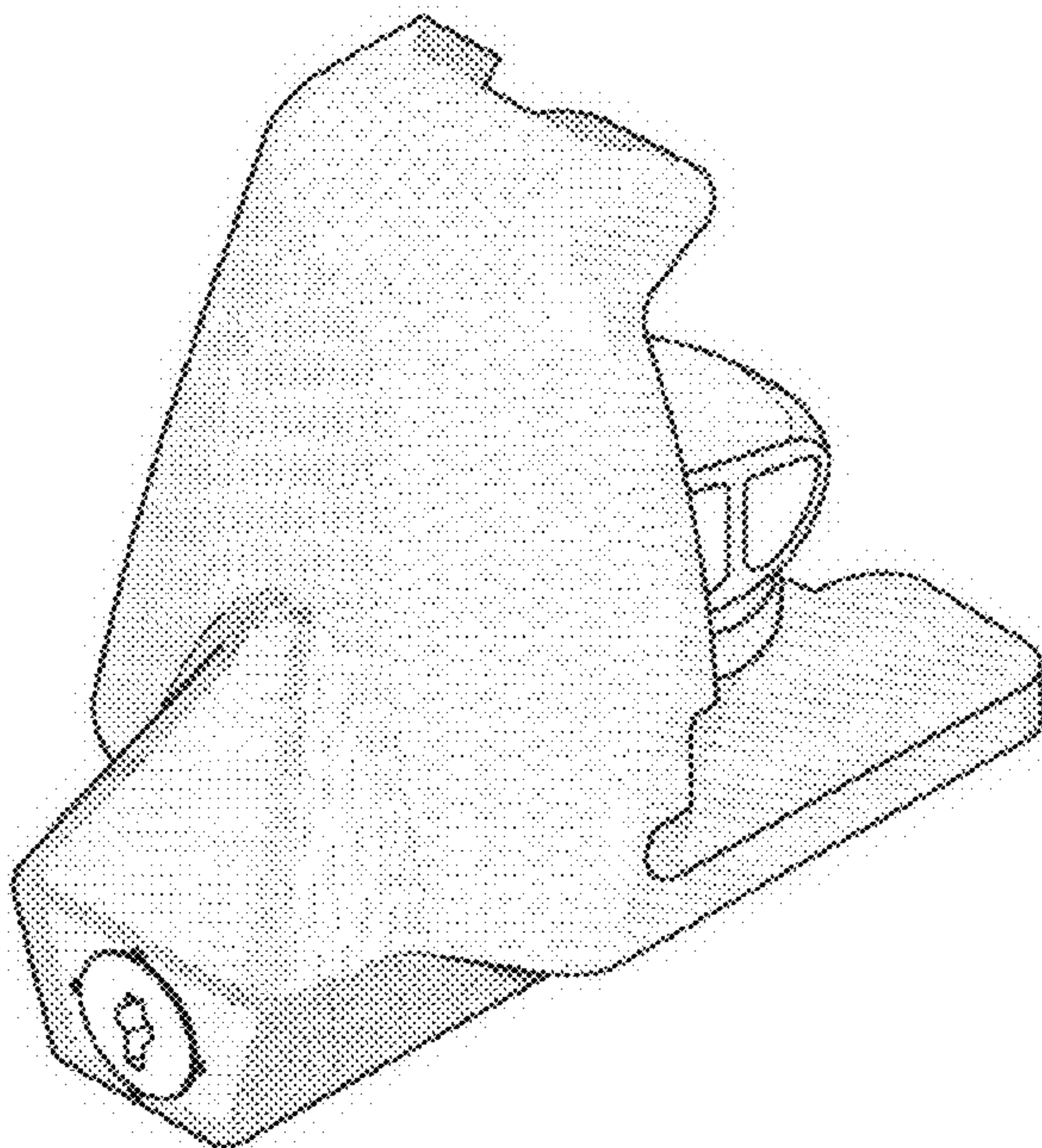


FIG. 1

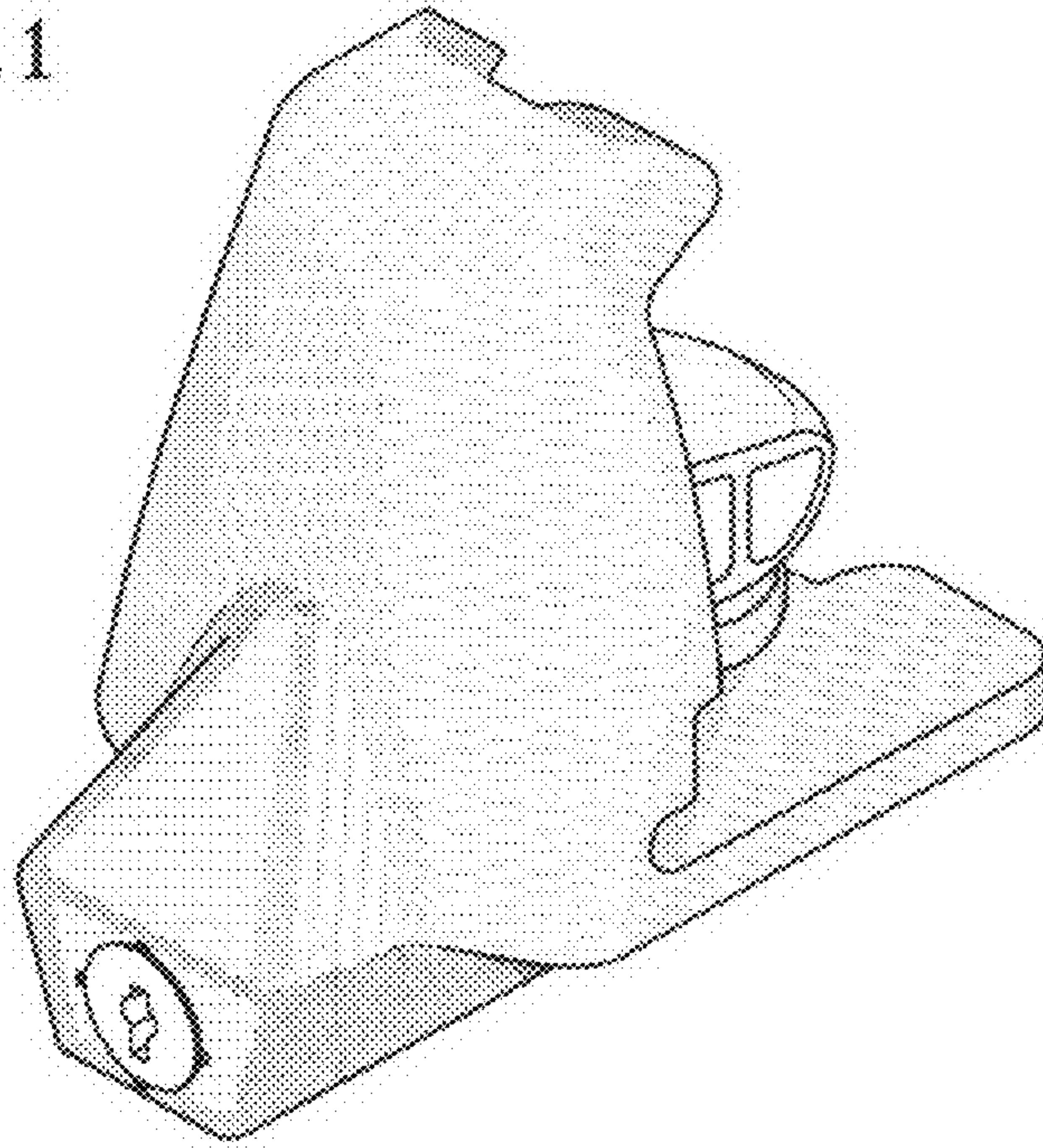


FIG. 2

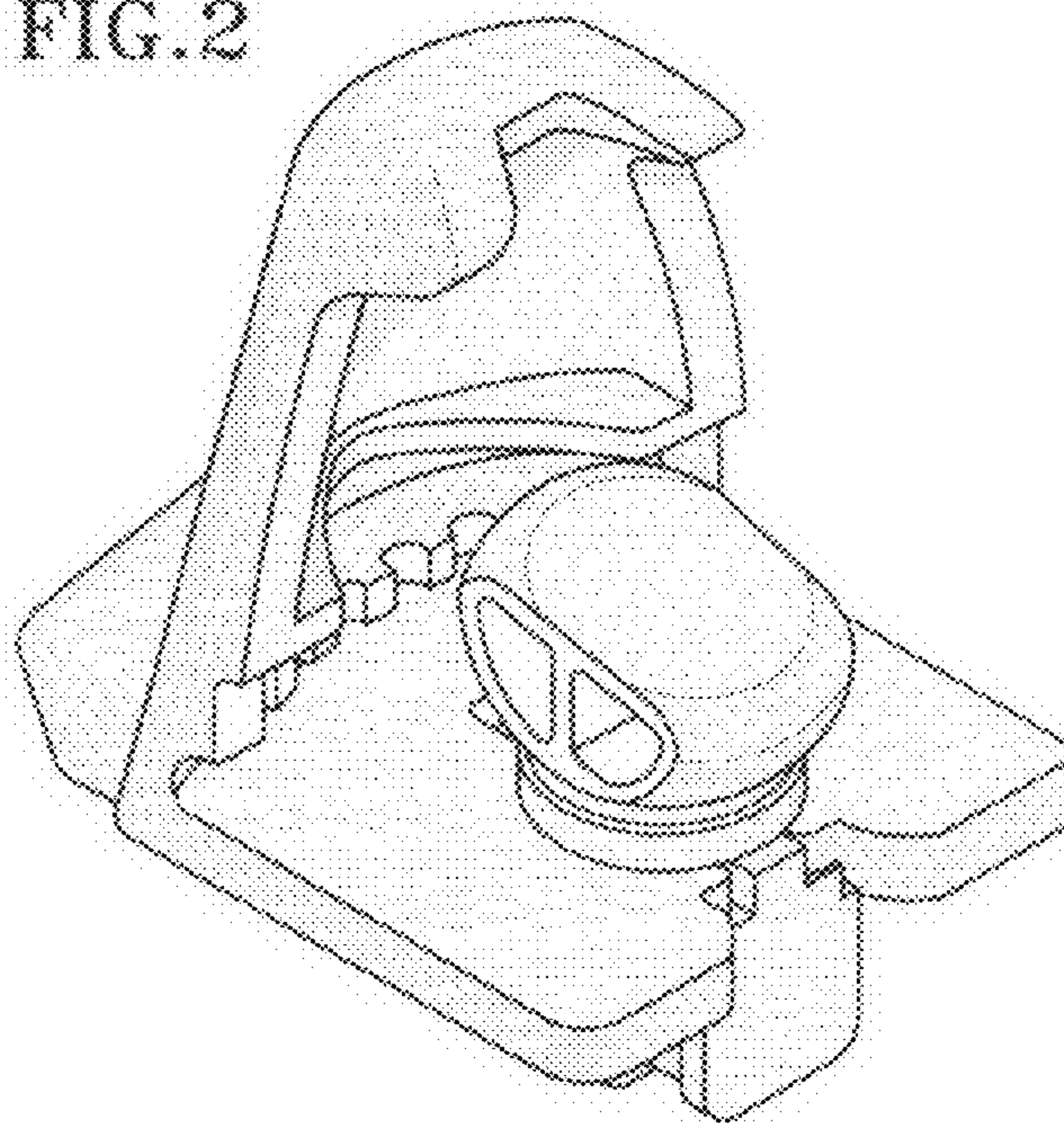


FIG.3

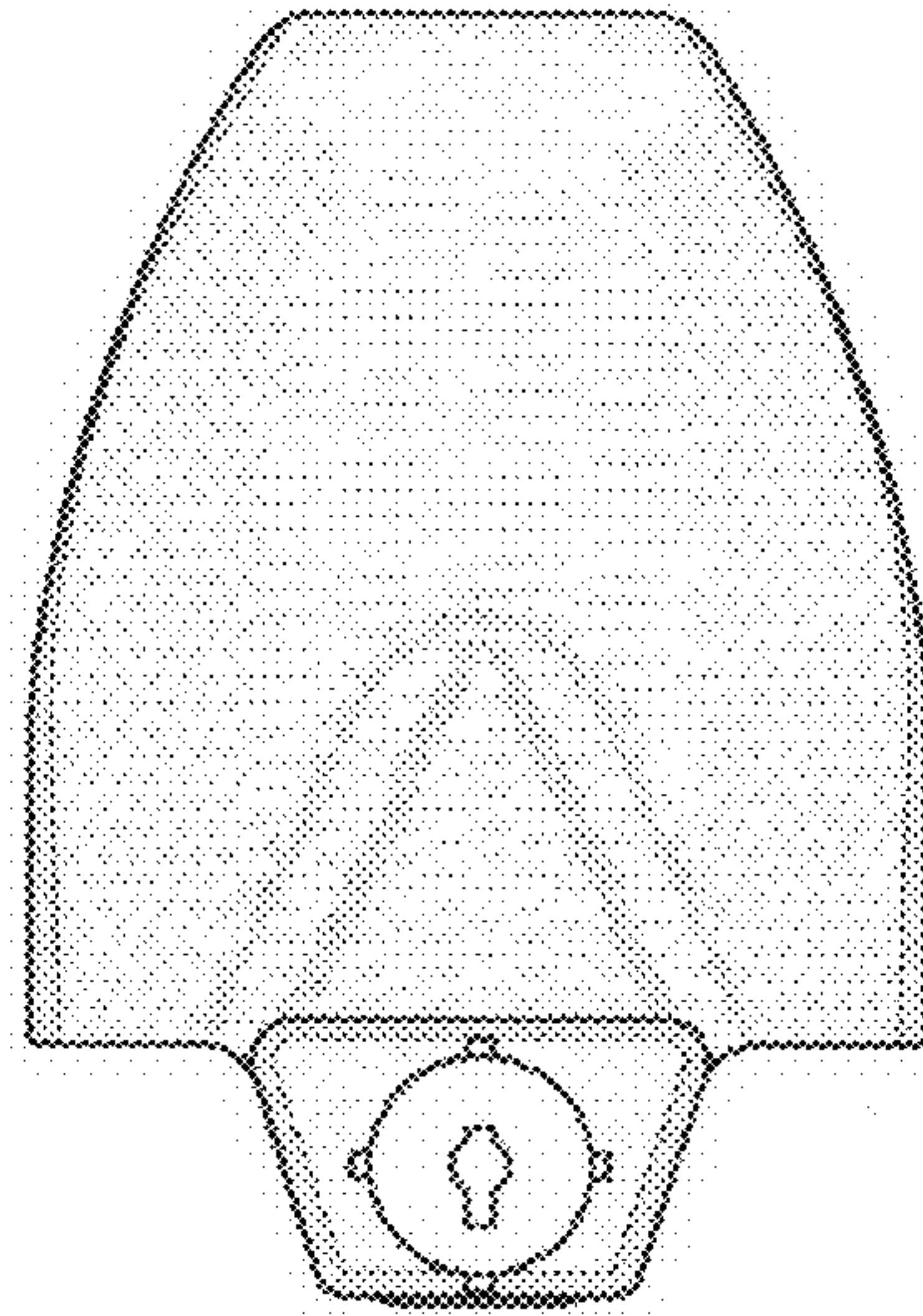


FIG.4

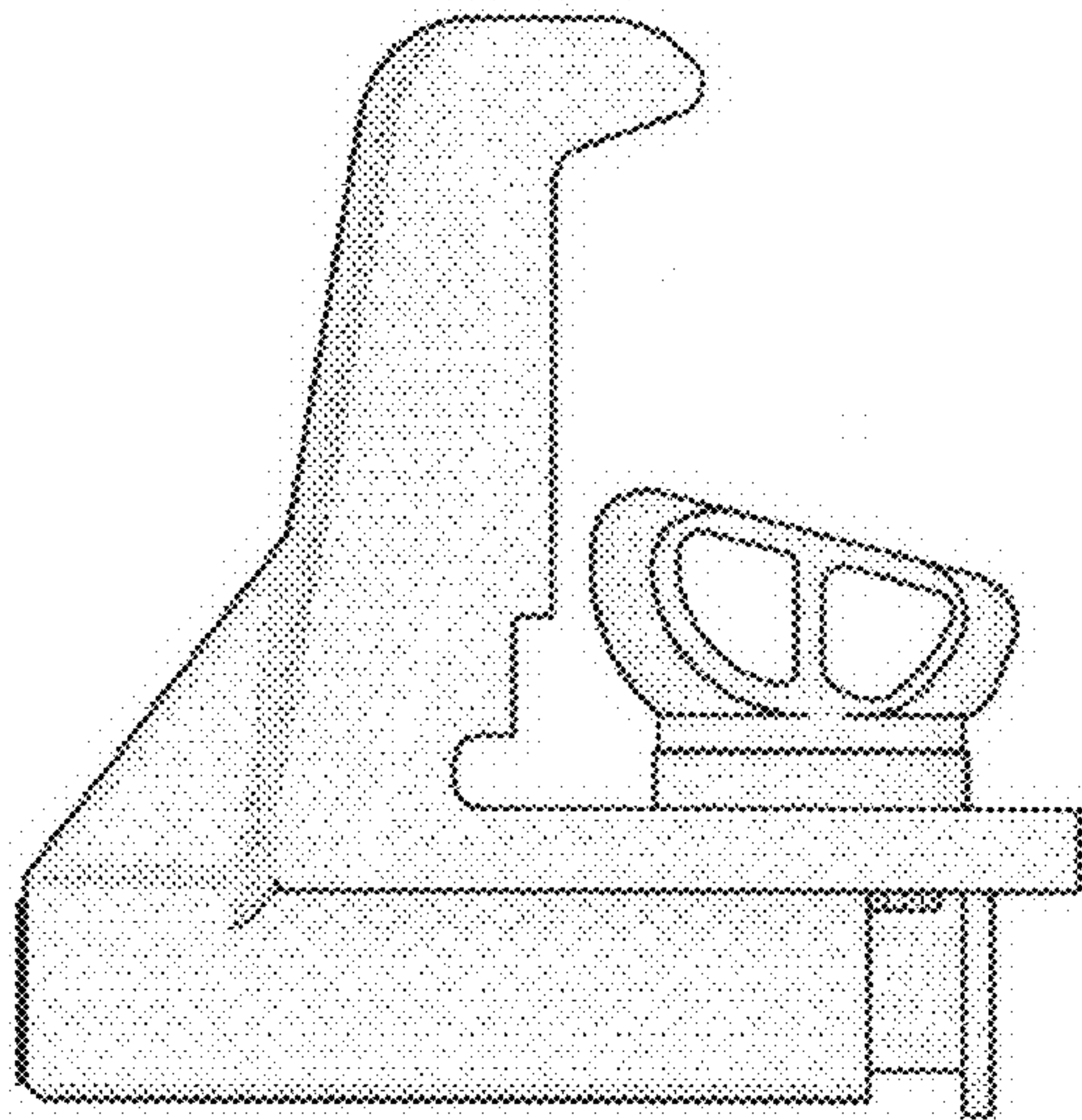


FIG.5

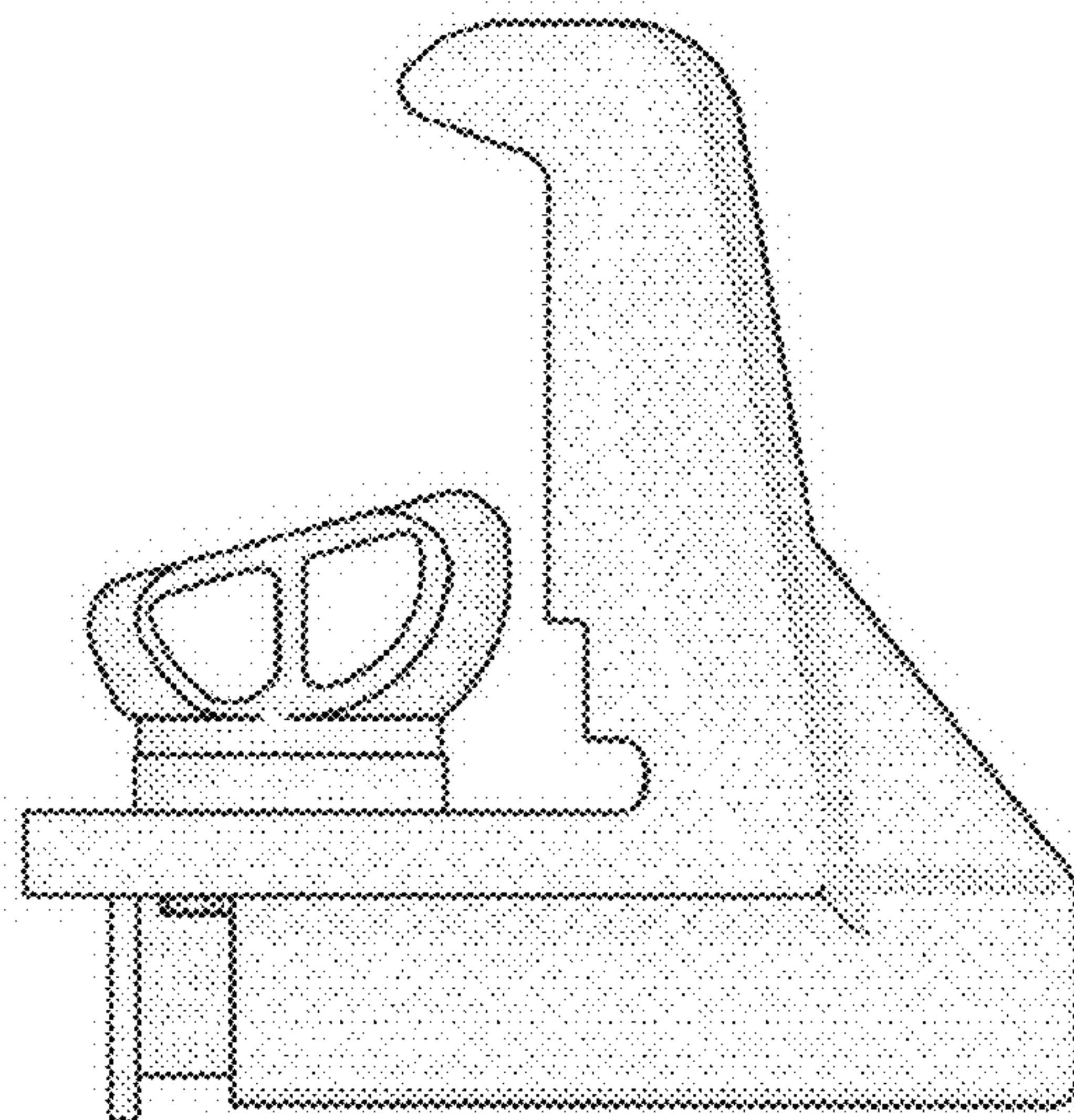


FIG. 6

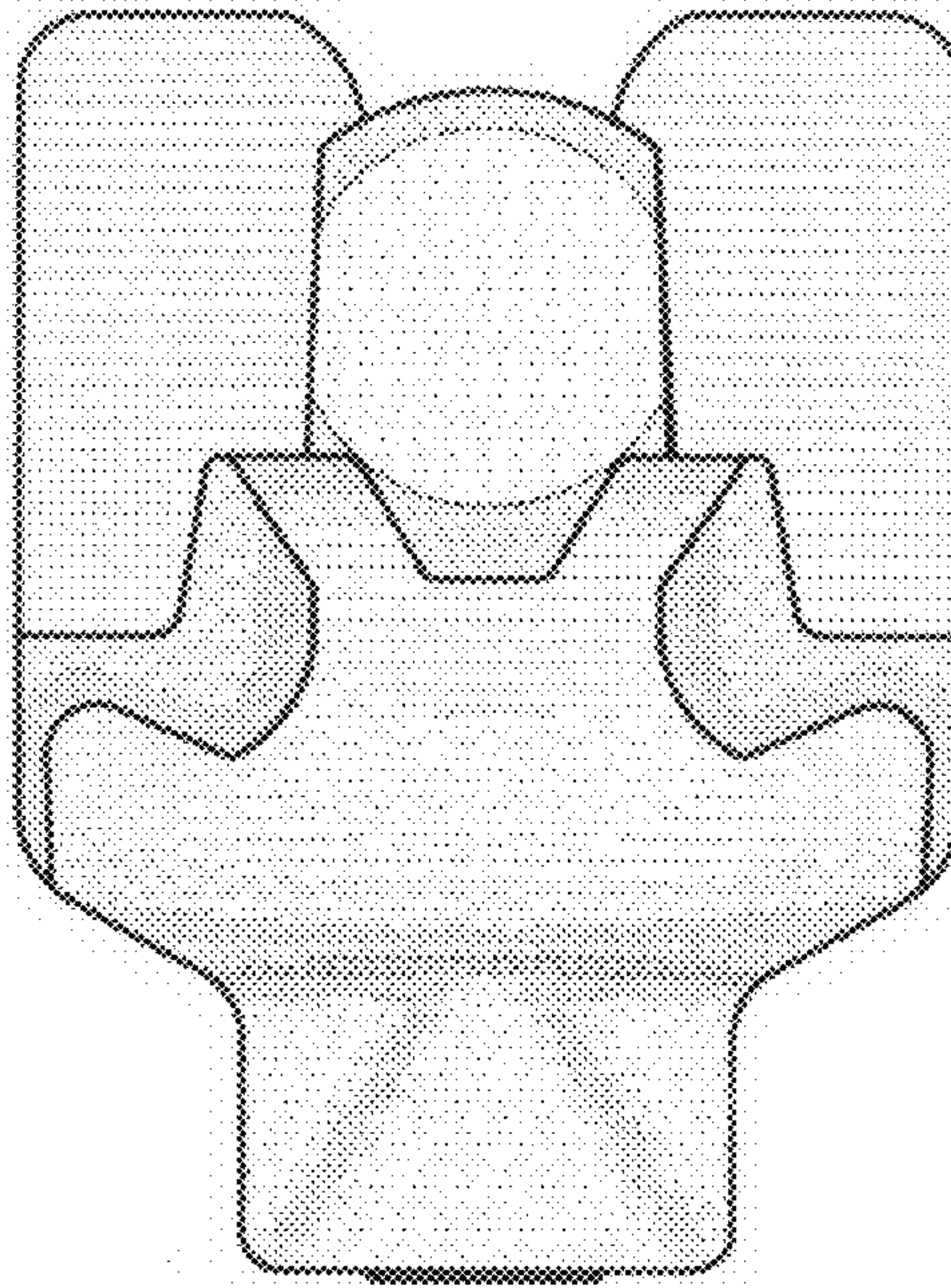


FIG. 7

