



US00D615457S

(12) **United States Design Patent
Booth**

(10) **Patent No.:** **US D615,457 S**

(45) **Date of Patent:** **** May 11, 2010**

(54) **AUTOMOTIVE VEHICLE**

(75) **Inventor:** **Brian L. Booth**, Birmingham, MI (US)

(73) **Assignee:** **The Vehicle Production Group LLC**,
Troy, MI (US)

(**) **Term:** **14 Years**

(21) **Appl. No.:** **29/314,591**

(22) **Filed:** **Apr. 13, 2009**

Related U.S. Application Data

(63) Continuation-in-part of application No. 29/329,212,
filed on Dec. 10, 2008.

(51) **LOC (9) Cl.** **12-08**

(52) **U.S. Cl.** **D12/91**

(58) **Field of Classification Search** D12/86,
D12/90-92, 98; D21/424, 433, 434; 296/181.1,
296/181.5, 183.1, 185.1, 37.6

See application file for complete search history.

(56) **References Cited**

U.S. PATENT DOCUMENTS

1,622,248	A	12/1926	Smith et al.	
1,717,303	A	6/1929	Barclay	
2,261,693	A	11/1941	Mathauer	296/37
2,495,520	A	1/1950	Grimm	296/65
2,963,106	A	12/1960	Sampietro	180/70
3,214,211	A	10/1965	Setina	296/24
3,547,217	A	12/1970	Garza	180/112
3,941,261	A	3/1976	Ricci	214/85
4,688,843	A	8/1987	Hall	296/65 R
4,847,972	A	7/1989	Anderson et al.	29/401.1
4,898,508	A	2/1990	Hayata	414/476
5,160,236	A	11/1992	Redding et al.	414/537
5,380,144	A	1/1995	Smith et al.	414/537
5,393,192	A	2/1995	Hall et al.	414/537
5,618,151	A	4/1997	Rosenkranz	414/495
5,676,515	A	10/1997	Haustein	414/537
D389,438	S	1/1998	Guichard et al.	D12/98
D391,900	S	3/1998	Skoog	D12/91
D406,549	S *	3/1999	Bailey et al.	D12/91

6,328,369	B1	12/2001	Nagai	296/95.1
D453,712	S *	2/2002	Pasteiner et al.	D12/91
D454,813	S	3/2002	Boniface et al.	D12/91
6,390,537	B1	5/2002	DiGonis	296/185
D466,444	S	12/2002	Meadows	D12/91

(Continued)

FOREIGN PATENT DOCUMENTS

EP 0 390 431 A2 10/1990

(Continued)

OTHER PUBLICATIONS

May 14, 2008 International Preliminary Report on Patentability for
PCT/US2006/043441.

Primary Examiner—Melody N Brown

(74) *Attorney, Agent, or Firm*—Bliss McGlynn, P.C.

(57) **CLAIM**

The ornamental design for an automotive vehicle, as shown
and described.

DESCRIPTION

FIG. 1 is a front perspective of an automotive vehicle showing
my new design, the wheels shown in broken lines are for
illustrative purposes only and form no part of the claimed
design;

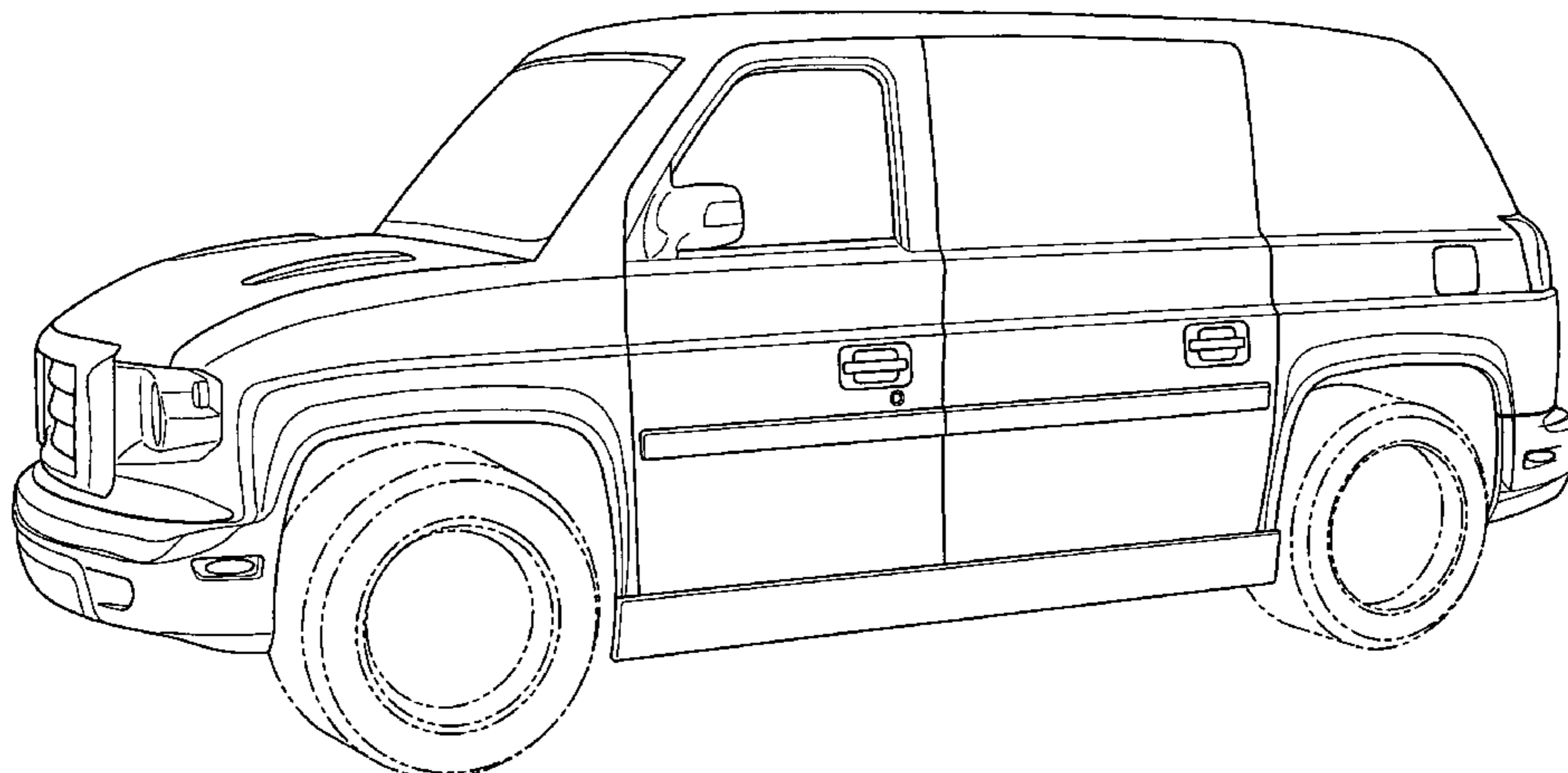
FIG. 2 is a side perspective view thereof;

FIG. 3 is a rear perspective view thereof;

FIG. 4 is an opposite side perspective view thereof having an
integrated reamp deployed from the rear passenger area; and,

FIG. 5 is another opposite side perspective view thereof.

1 Claim, 5 Drawing Sheets



US D615,457 S

Page 2

U.S. PATENT DOCUMENTS

6,578,657 B2 6/2003 Baxter, Jr. 180/376
6,729,829 B2 5/2004 Zimmer 414/522
D497,572 S 10/2004 Widmann et al. D12/91
6,860,701 B2 3/2005 Kiser 414/537
D507,766 S 7/2005 McMahan et al. D12/91
6,951,359 B2 10/2005 Swift 296/64
D514,983 S 2/2006 Renkert et al. D12/91
7,035,819 B1 4/2006 Gianakouros et al. 705/37

D521,901 S 5/2006 Dean D12/91
D534,097 S 12/2006 Renkert et al. D12/91
D535,585 S 1/2007 Moushegian et al. D12/91
D567,144 S * 4/2008 Pocobello et al. D12/86

FOREIGN PATENT DOCUMENTS

JP 5-77670 3/1993
JP 2004-345450 12/2004

* cited by examiner

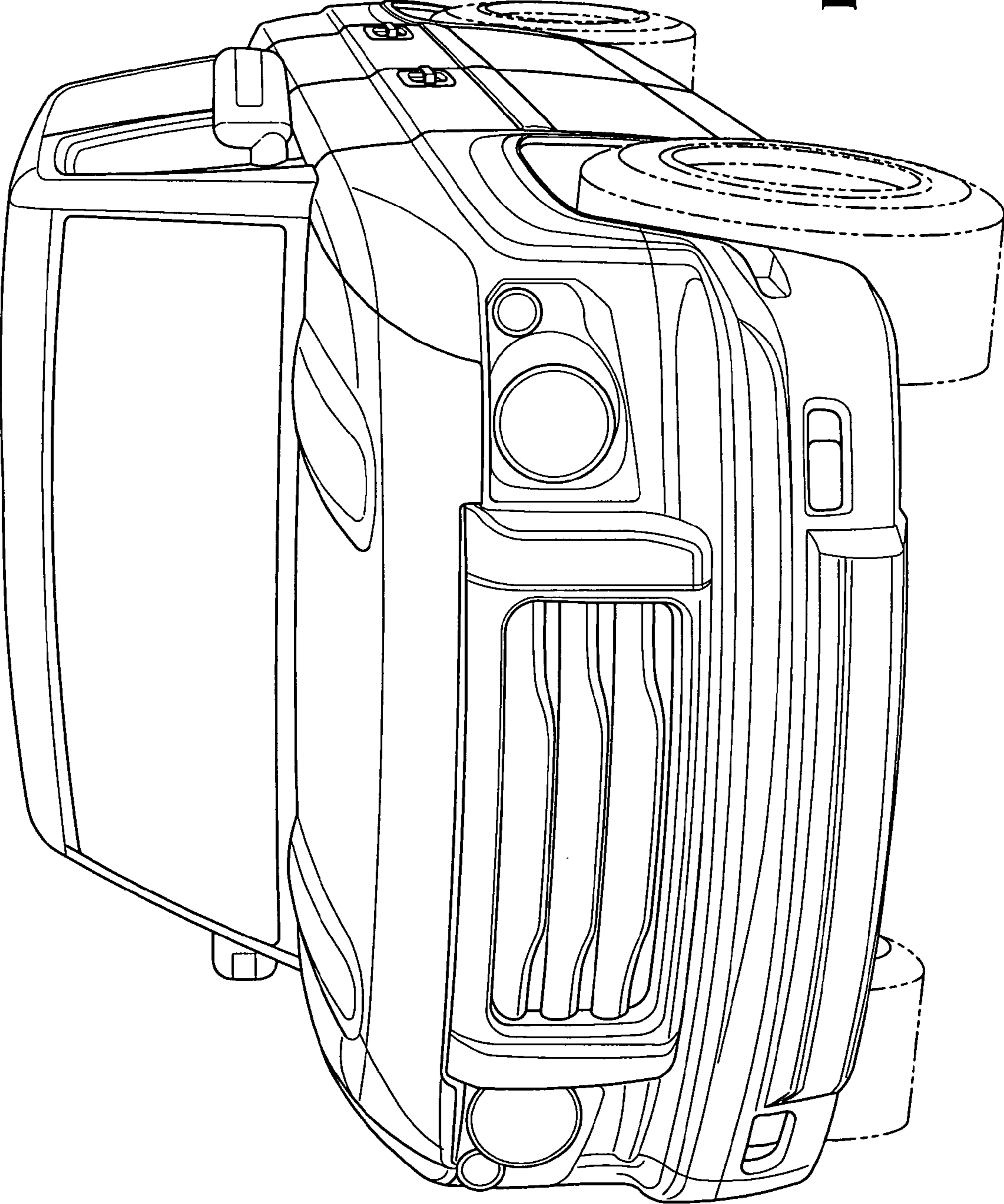


FIG. 1

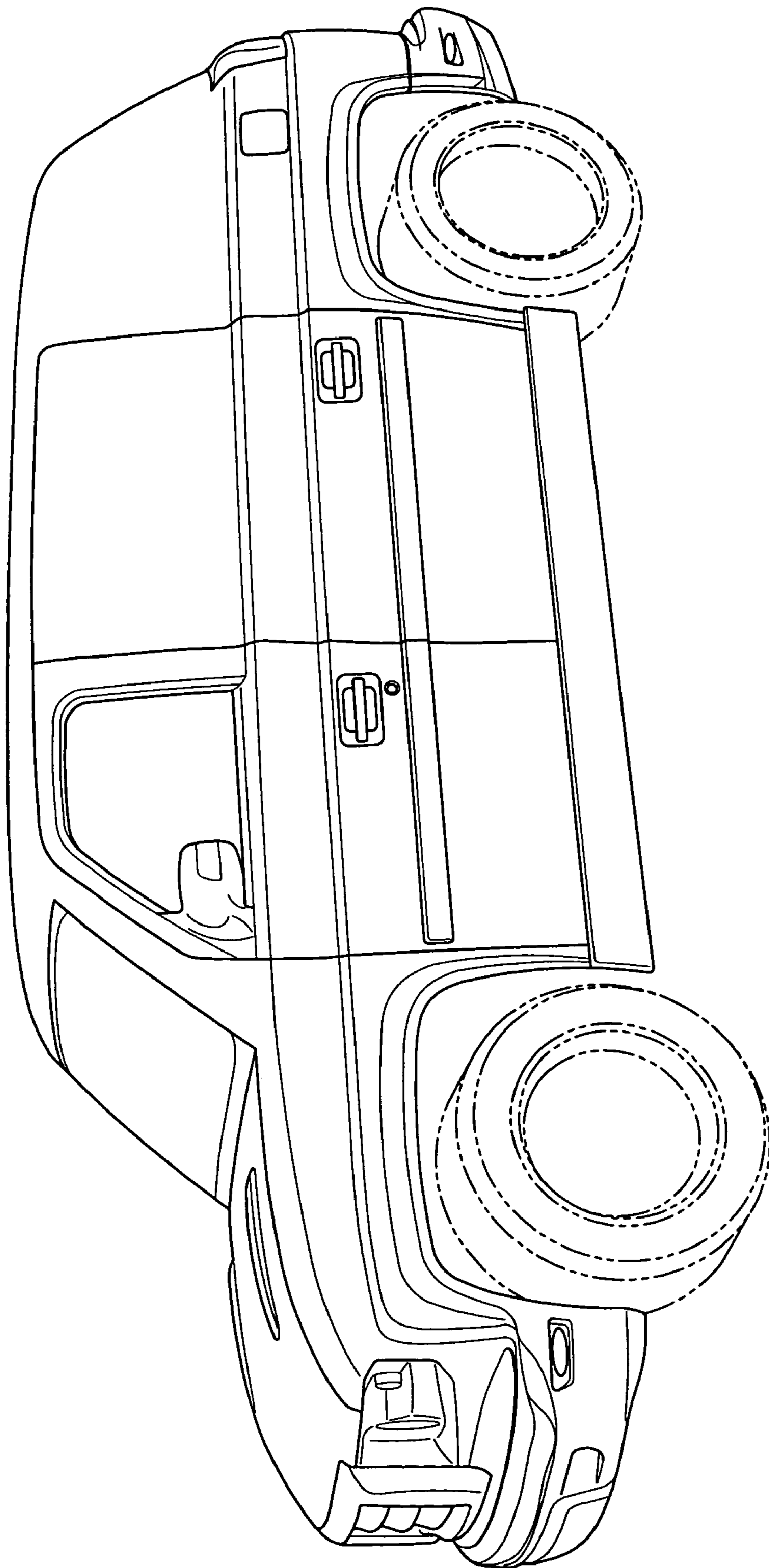


FIG. 2

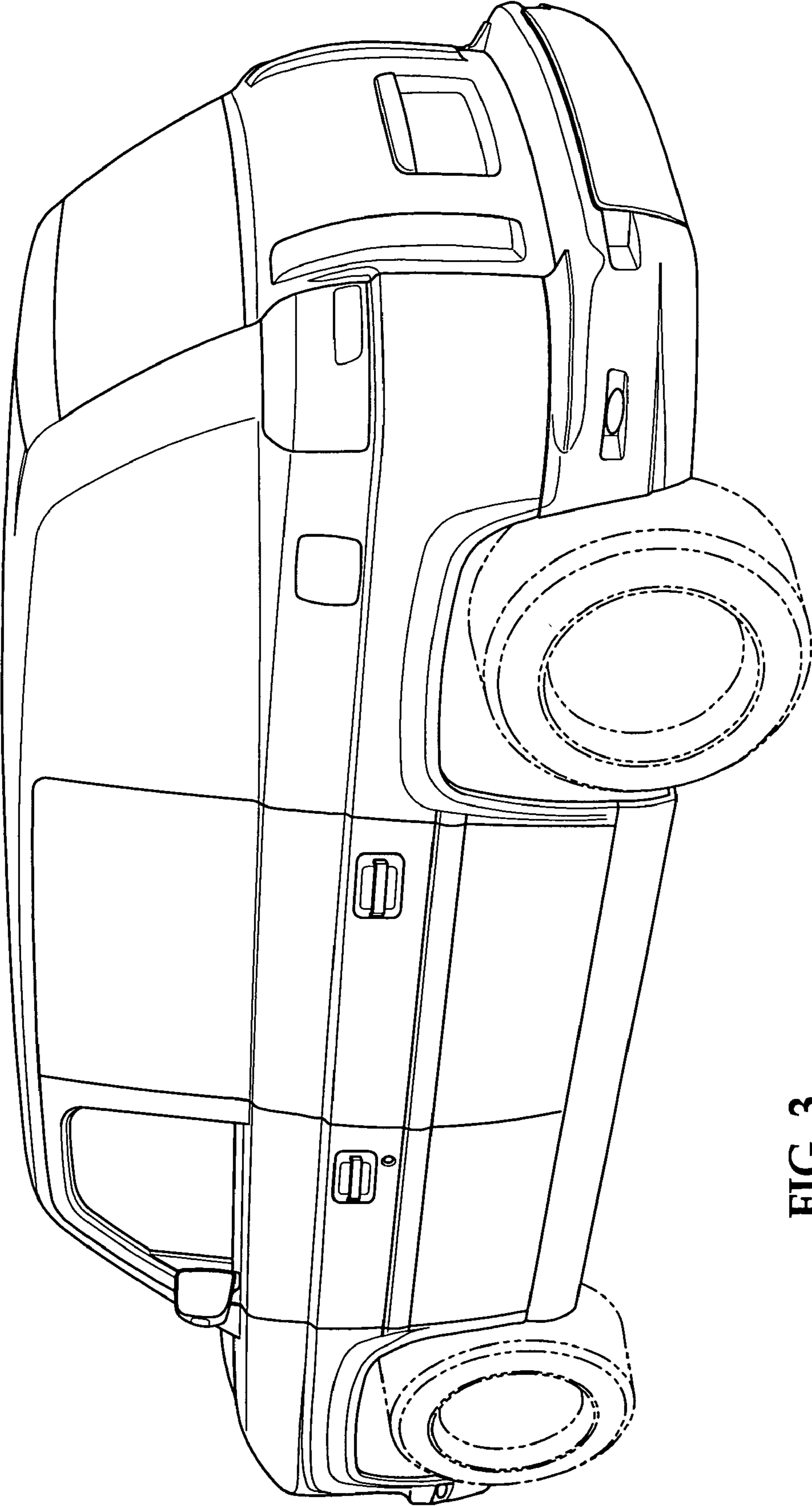


FIG. 3

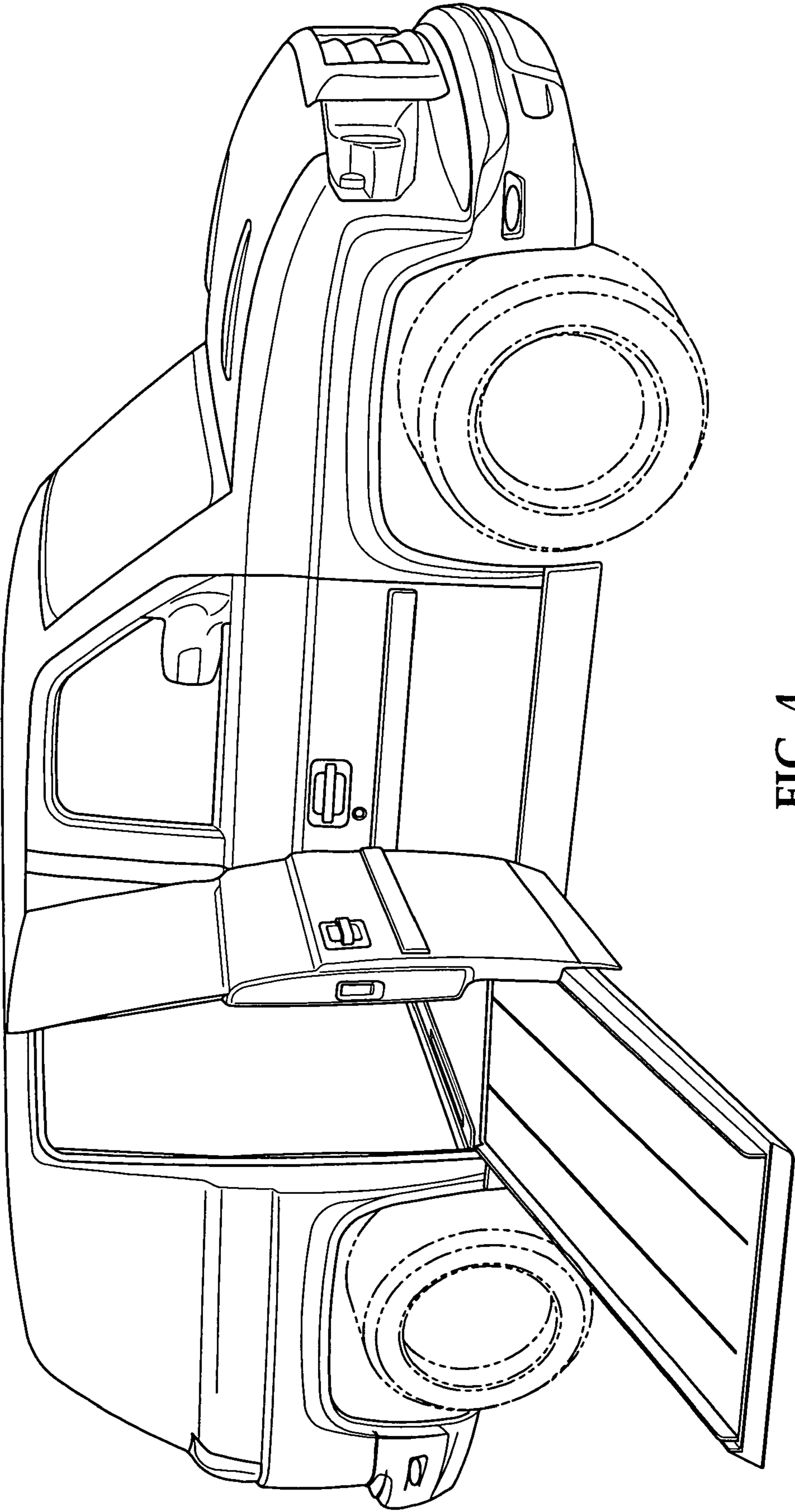


FIG. 4

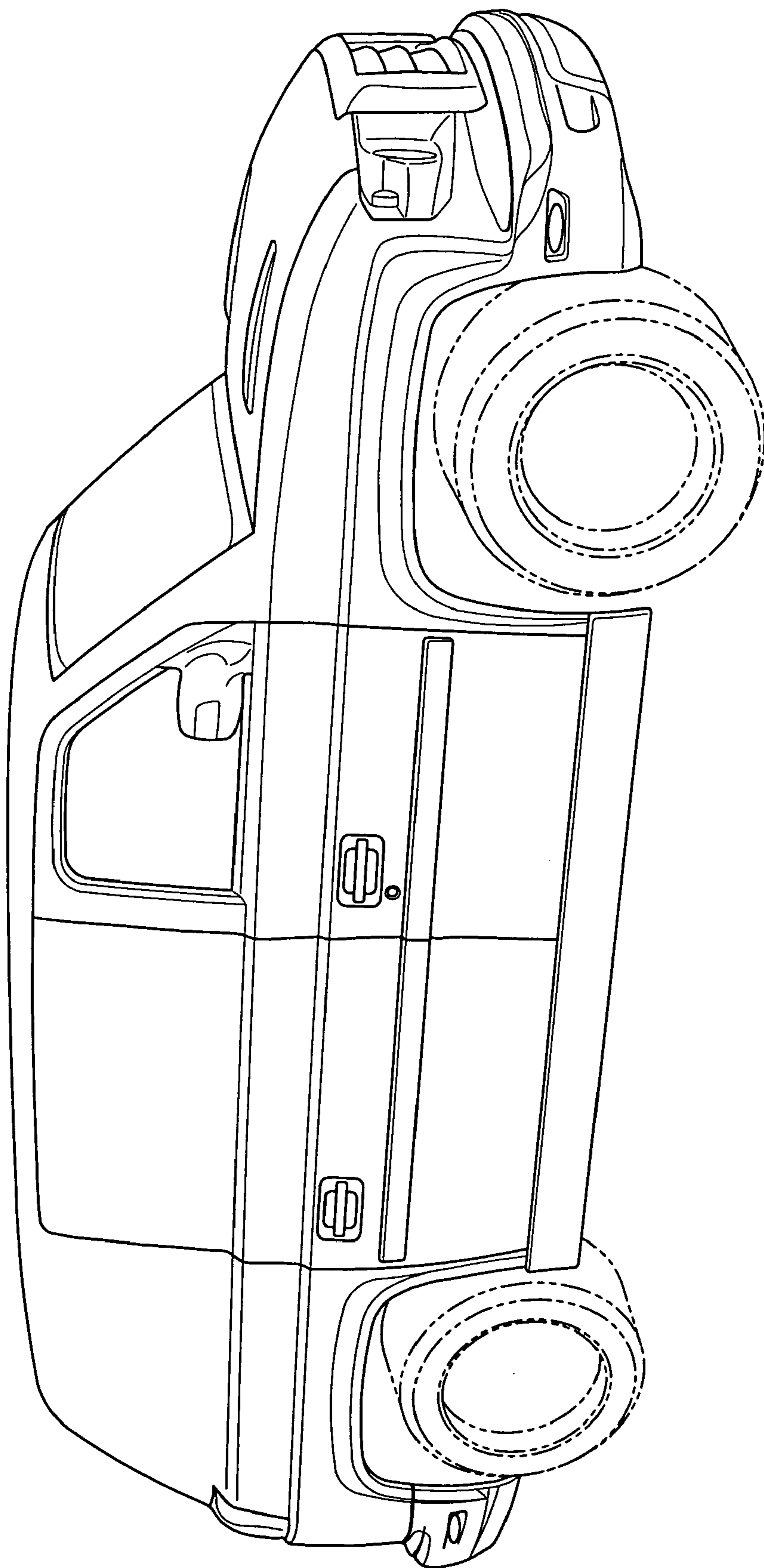


FIG. 5