



US00D615455S

(12) **United States Design Patent**
Bauer et al.

(10) **Patent No.:** **US D615,455 S**
(45) **Date of Patent:** **** May 11, 2010**

(54) **VEHICLE, TOY REPLICA AND/OR OTHER REPLICAS**

(75) Inventors: **Karlheinz Bauer**, Esslingen (DE);
Juergen Bollmann, Schoenberg (DE);
Hans-Dieter Futschik, Gechingen (DE);
Steffen Koehl, Stuttgart (DE); **Frank Pfisterer**, Weil der Stadt (DE); **Gorden Wagener**, Stuttgart (DE)

(73) Assignee: **Daimler AG**, Stuttgart (DE)

(**) Term: **14 Years**

(21) Appl. No.: **29/355,990**

(22) Filed: **Feb. 18, 2010**

Related U.S. Application Data

(62) Division of application No. 29/311,353, filed on Feb. 27, 2009.

(30) **Foreign Application Priority Data**

Aug. 29, 2008 (DE) 402008004120

(51) **LOC (9) Cl.** **12-08**

(52) **U.S. Cl.** **D12/86**

(58) **Field of Classification Search** D12/86,
D12/90-92, 190, 196, 88; D21/424, 433,
D21/434; 296/181.1, 181.5

See application file for complete search history.

(56) **References Cited**

U.S. PATENT DOCUMENTS

D462,926 S 9/2002 Pfeiffer et al.
D466,448 S 12/2002 Pfeiffer et al.
D468,667 S 1/2003 Pfeiffer et al.
D471,844 S 3/2003 Pfeiffer et al.
D521,900 S 5/2006 Schumacher

D525,169 S 7/2006 Schumacher
D526,933 S 8/2006 Schumacher
D596,078 S * 7/2009 Pfeiffer et al. D12/92
D596,079 S * 7/2009 Pfeiffer et al. D12/92

* cited by examiner

Primary Examiner—Melody N Brown

(74) *Attorney, Agent, or Firm*—Crowell & Moring LLP

(57) **CLAIM**

The ornamental design for a vehicle, toy replica and/or other replicas, as shown and described.

DESCRIPTION

This application contains subject matter related the following U.S. patent applications:

Application Ser. No. 29/287,947, now U.S. Pat. No. D596,079;

Application Ser. No. 29/287,934, now U.S. Pat. No. D595,622; and

Application Ser. No. 29/287,935, now U.S. Pat. No. D590,305.

FIG. 1 is a left, front perspective view of a vehicle, toy replica and/or other replicas according to our novel design, the right, front perspective view being mirror symmetrical;

FIG. 2 is a left, rear perspective view thereof; the right, rear perspective view being mirror symmetrical;

FIG. 3 is a right side view thereof;

FIG. 4 is a left side view thereof;

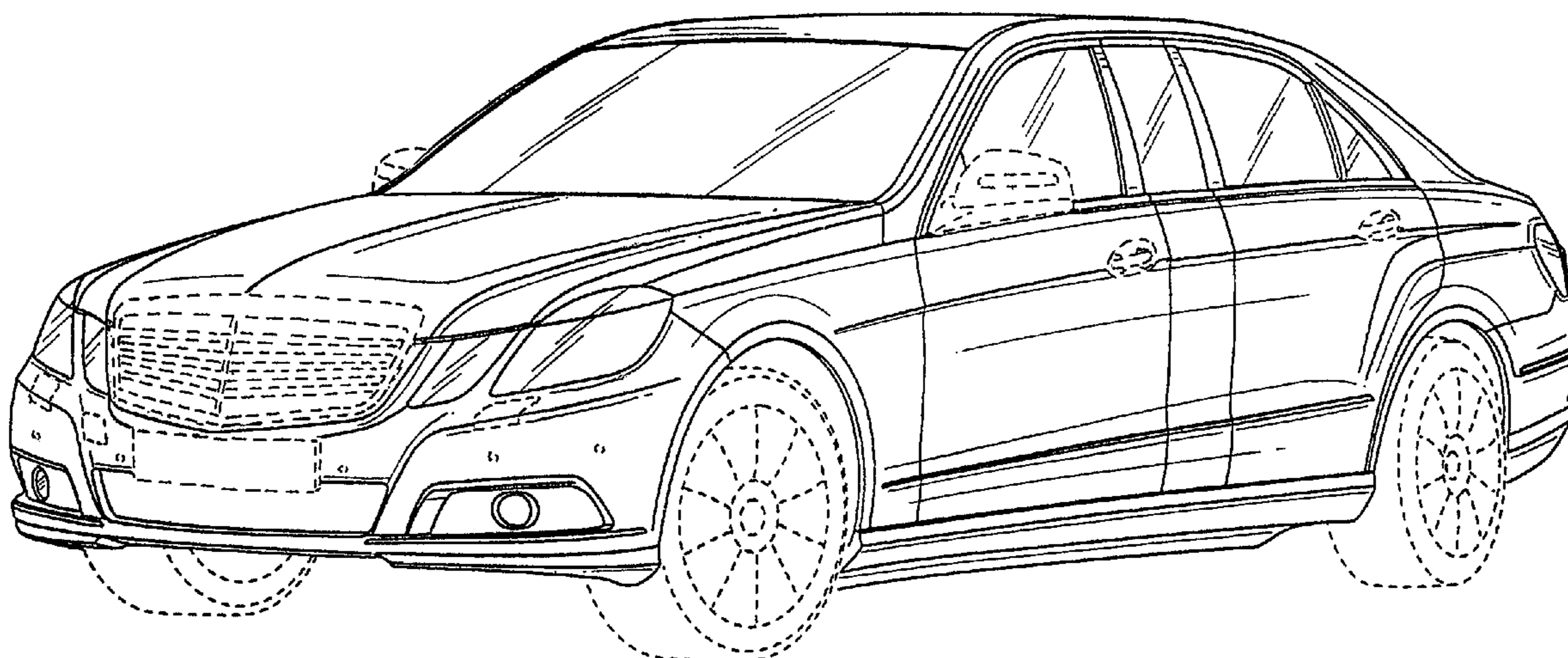
FIG. 5 is a front view thereof;

FIG. 6 is a rear view thereof; and,

FIG. 7 is a top view thereof.

The broken lines are for illustrative purposes only and form no part of the claimed design.

1 Claim, 6 Drawing Sheets



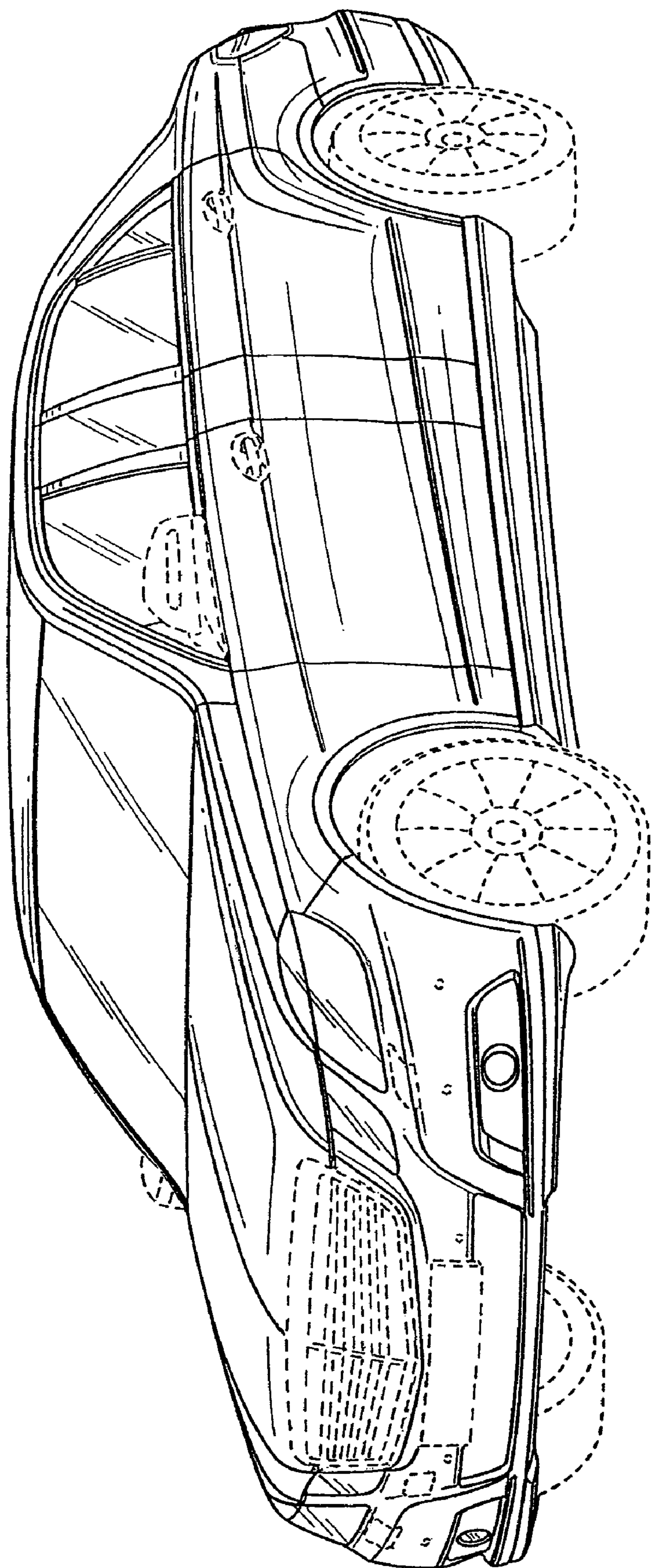


FIG. 1

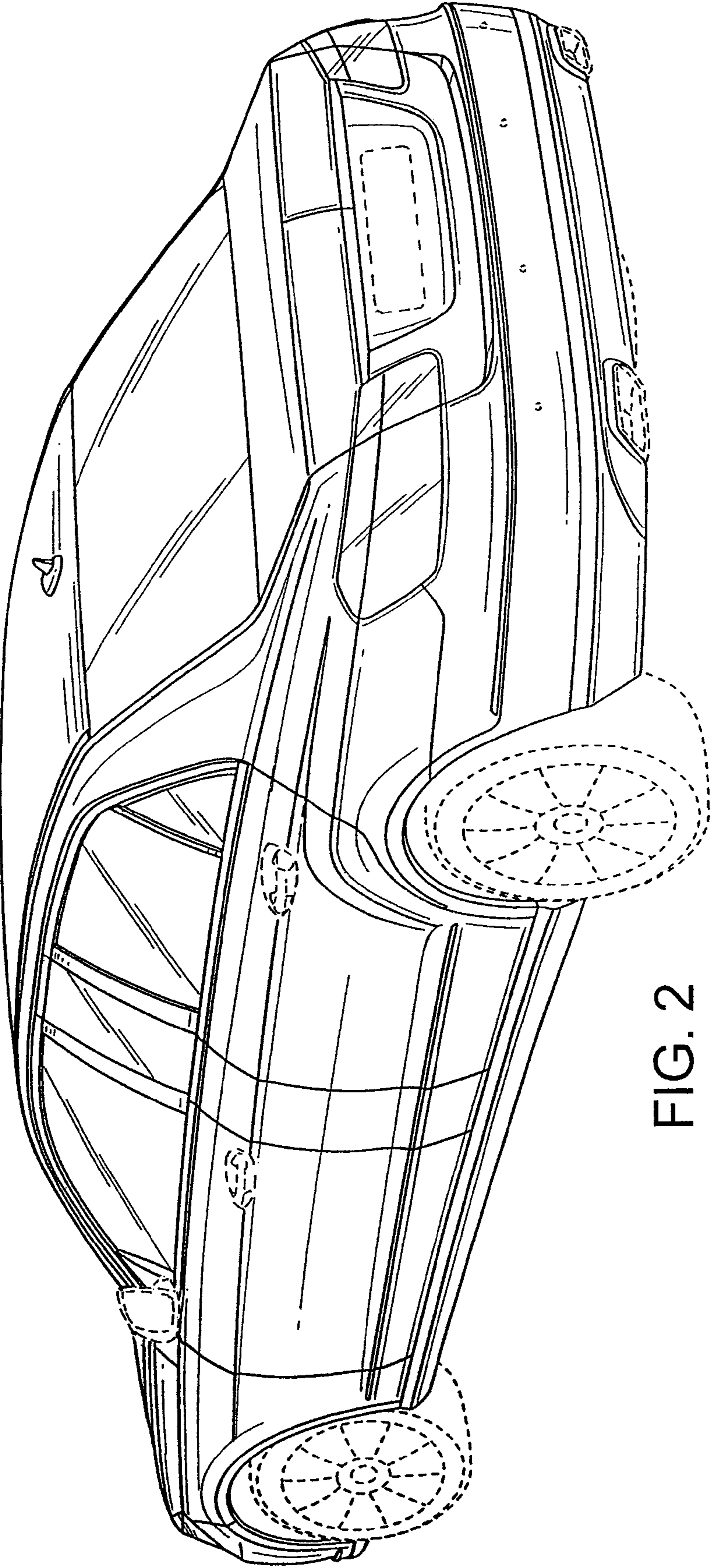


FIG. 2

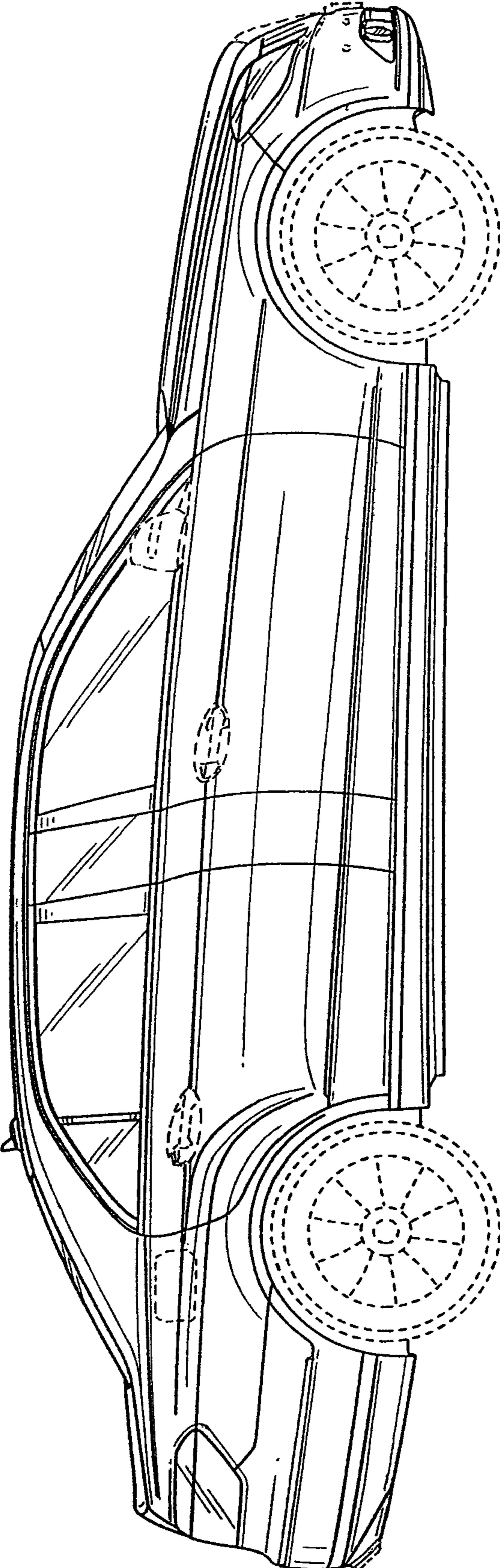


FIG. 3

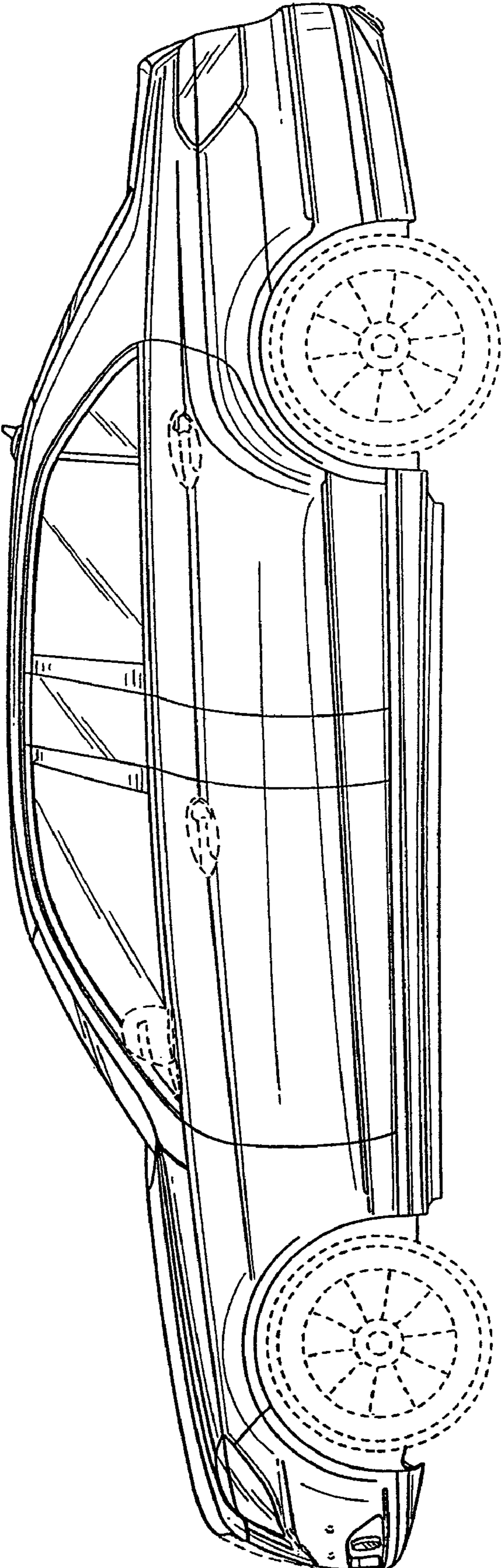


FIG. 4

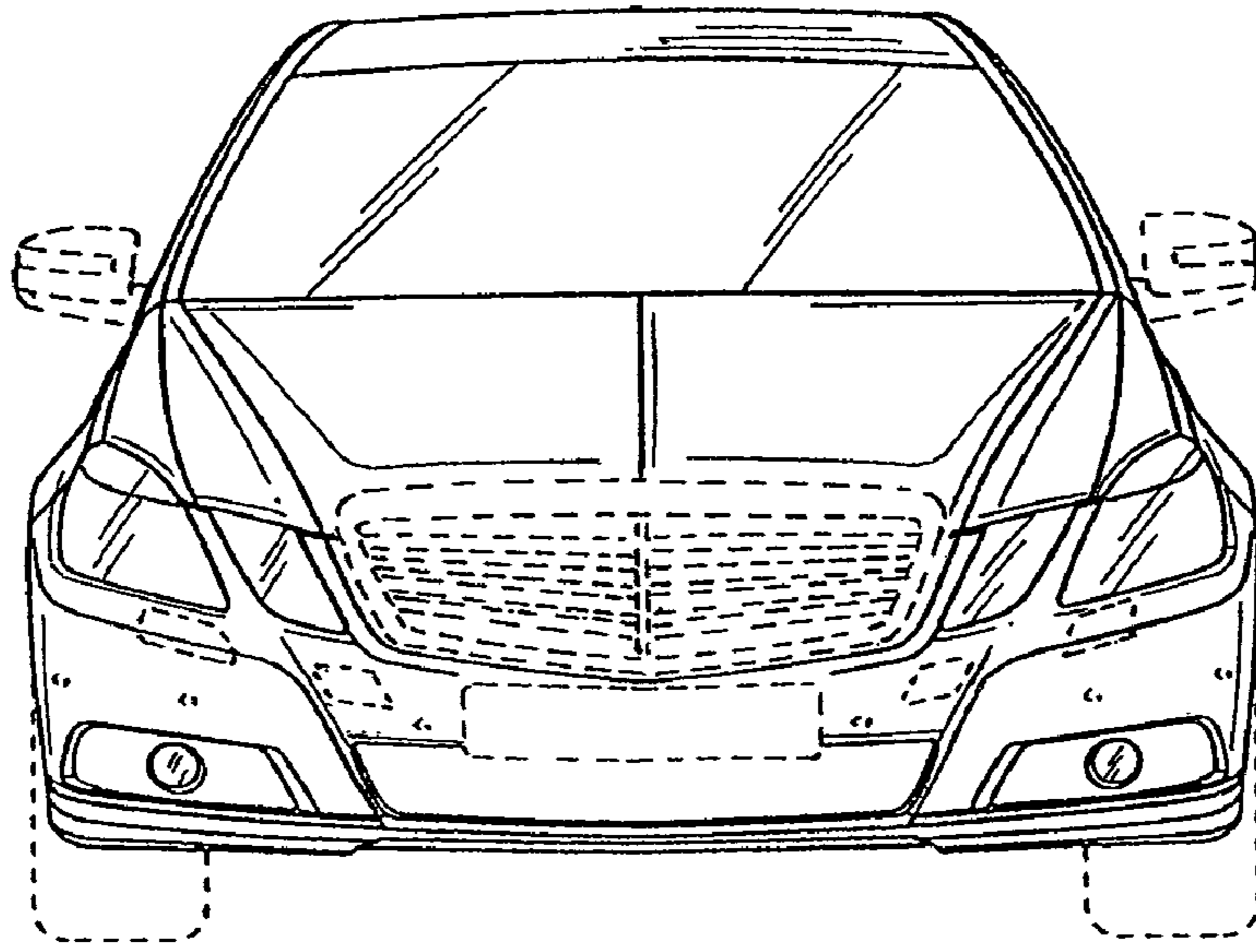


FIG. 5

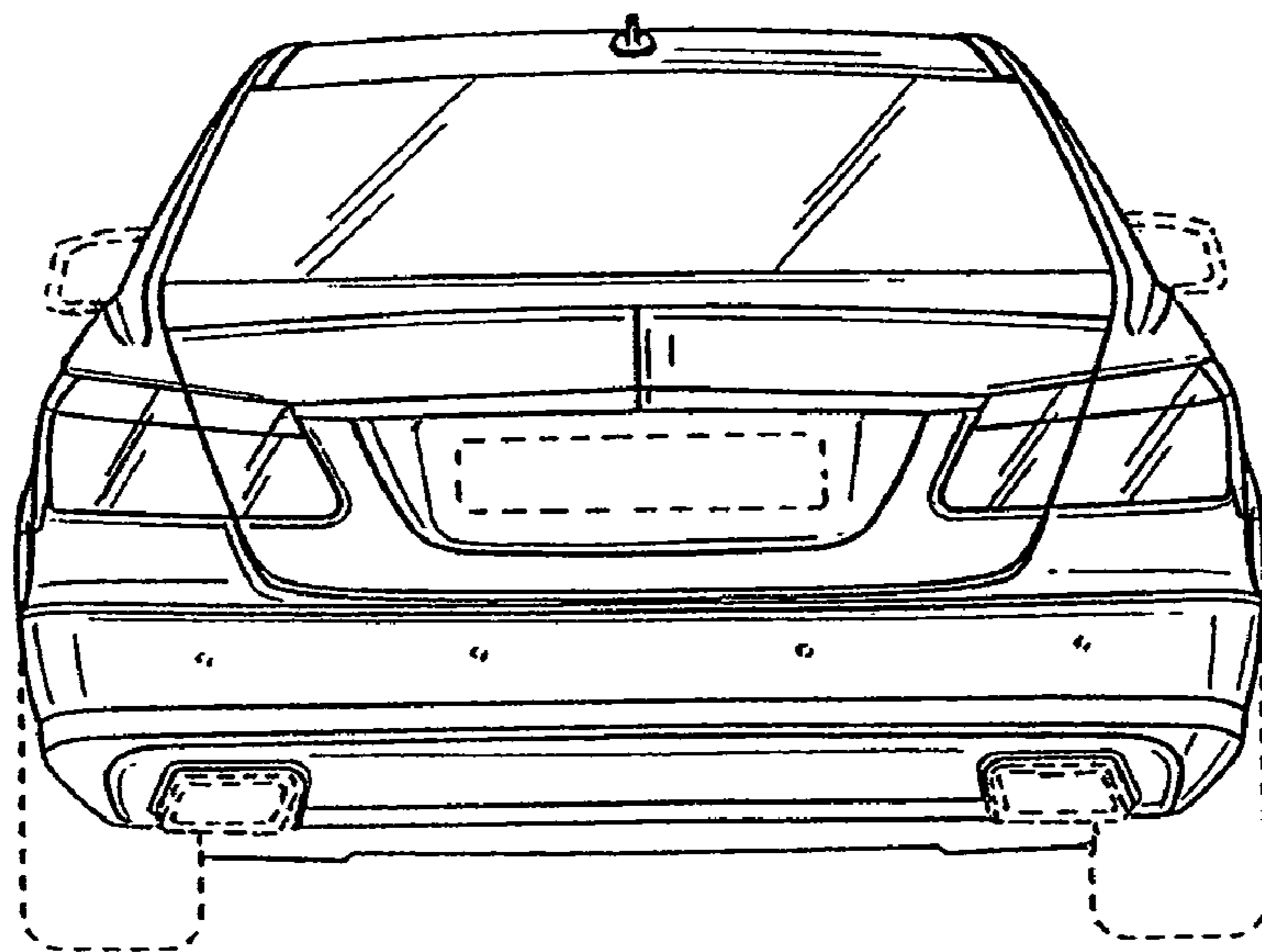


FIG. 6

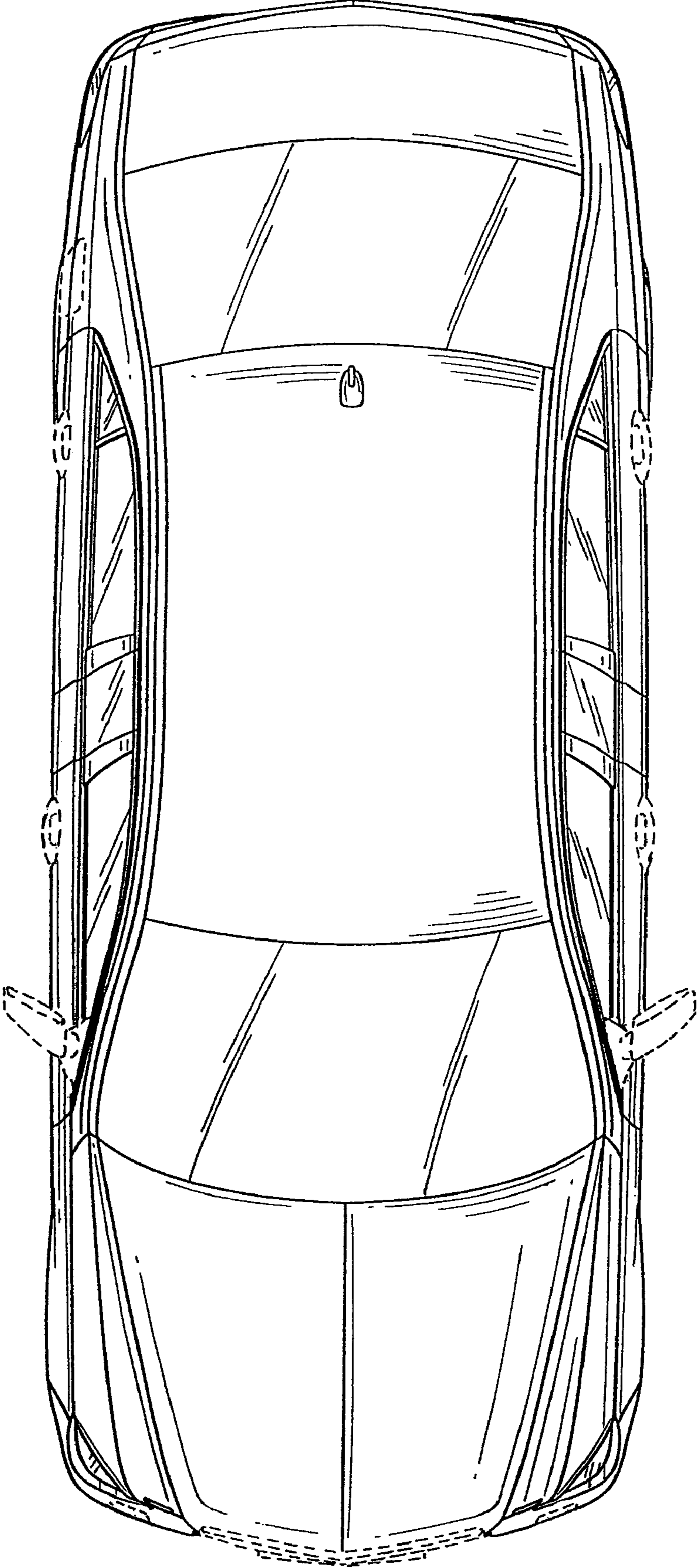


FIG. 7