



US00D615452S

(12) **United States Design Patent**  
**Banman**

(10) **Patent No.:** **US D615,452 S**

(45) **Date of Patent:** **\*\* May 11, 2010**

(54) **ACHIEVEMENT AWARD BASE**

(75) **Inventor:** **John Banman**, S. El Monte, CA (US)

(73) **Assignee:** **Plastic Dress-Up Co.**, South El Monte, CA (US)

(\*\*) **Term:** **14 Years**

(21) **Appl. No.:** **29/316,084**

(22) **Filed:** **Aug. 21, 2009**

(51) **LOC (9) Cl.** ..... **11-02**

(52) **U.S. Cl.** ..... **D11/164**

(58) **Field of Classification Search** ..... D11/117-164;  
D6/329, 349, 449, 450, 396, 455, 466, 495,  
D6/497, 509; D19/94-97; D20/10, 12, 15,  
D20/29, 30, 43; 428/7, 8, 13, 15-20, 22,  
428/27, 542.2, 542.4; 248/176.1, 346.01,  
248/346.03, 908, 915

See application file for complete search history.

(56) **References Cited**

**U.S. PATENT DOCUMENTS**

- D22,165 S \* 1/1893 Librowicz ..... D11/164
- D55,266 S \* 5/1920 Fuller ..... D6/310
- 2,242,741 A \* 5/1941 Betts et al. .... 229/113

- D133,104 S \* 7/1942 Meyer ..... D6/495
- D255,628 S \* 7/1980 Van Koert ..... D6/486
- D539,055 S \* 3/2007 Kershaw ..... D6/457
- D570,245 S \* 6/2008 McAbee ..... D11/164
- D591,641 S \* 5/2009 Mazzota ..... D11/164

\* cited by examiner

*Primary Examiner*—T. Chase Nelson  
*Assistant Examiner*—Michelle E Wilson

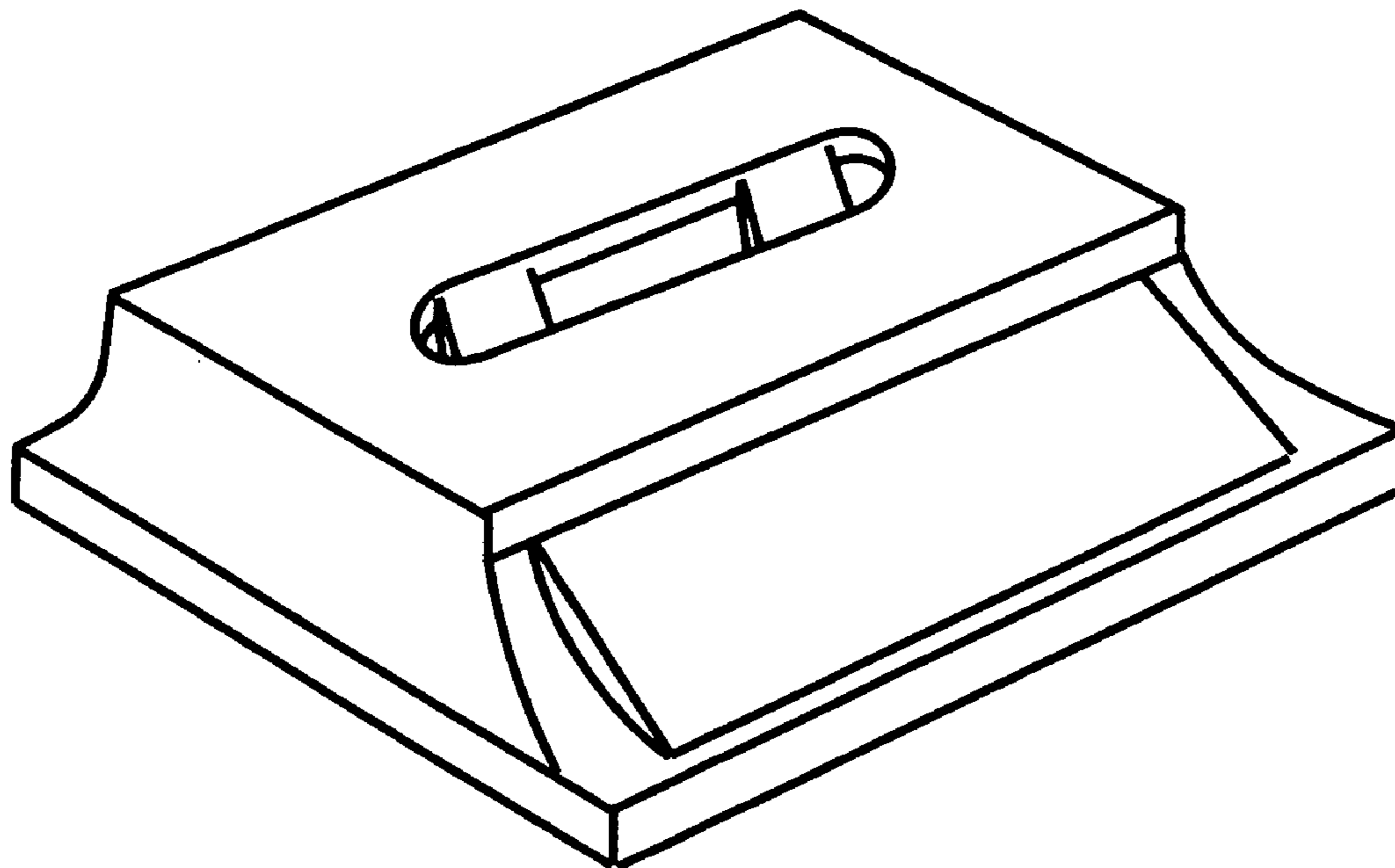
(57) **CLAIM**

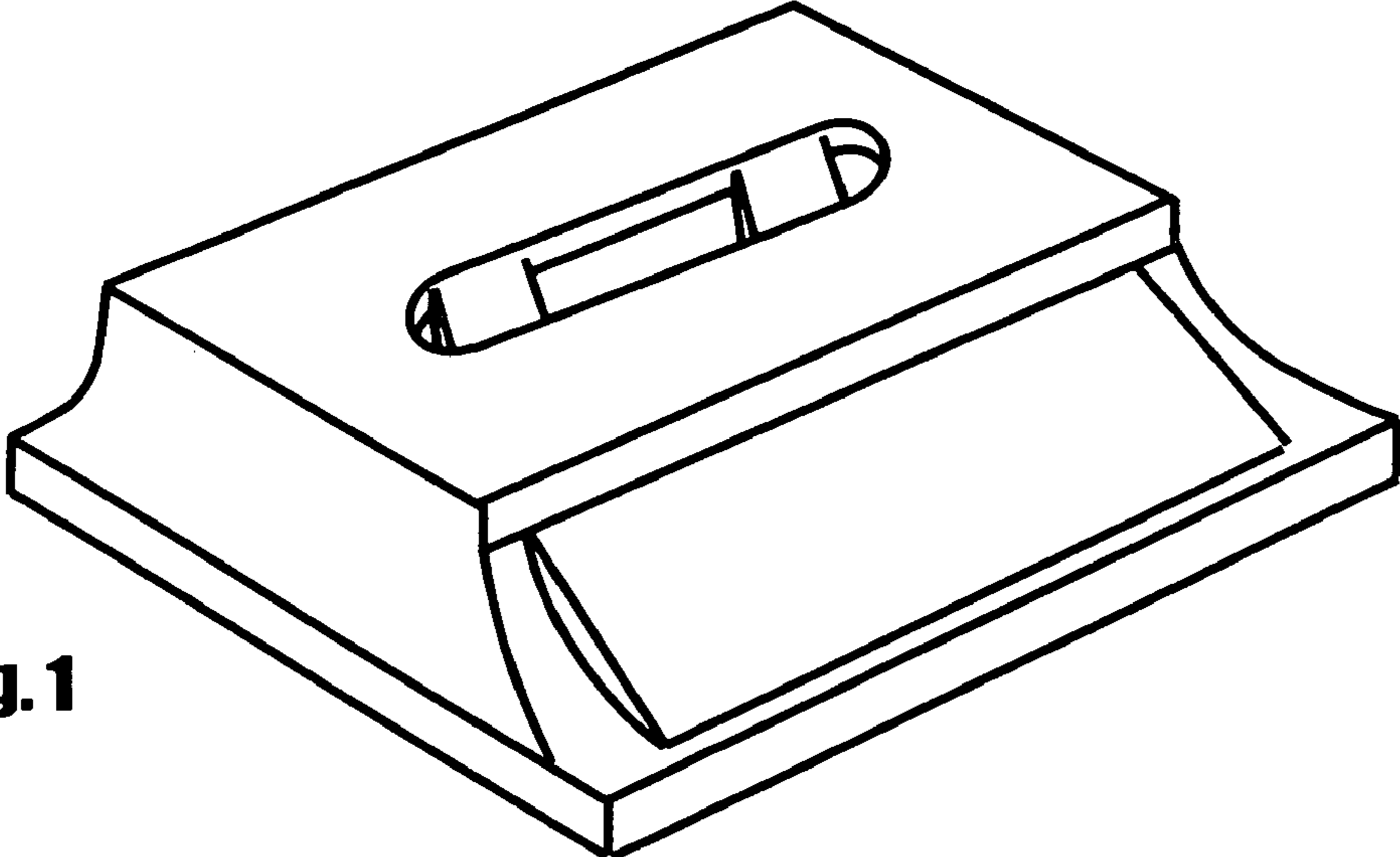
The ornamental design for an achievement award base, as shown and described.

**DESCRIPTION**

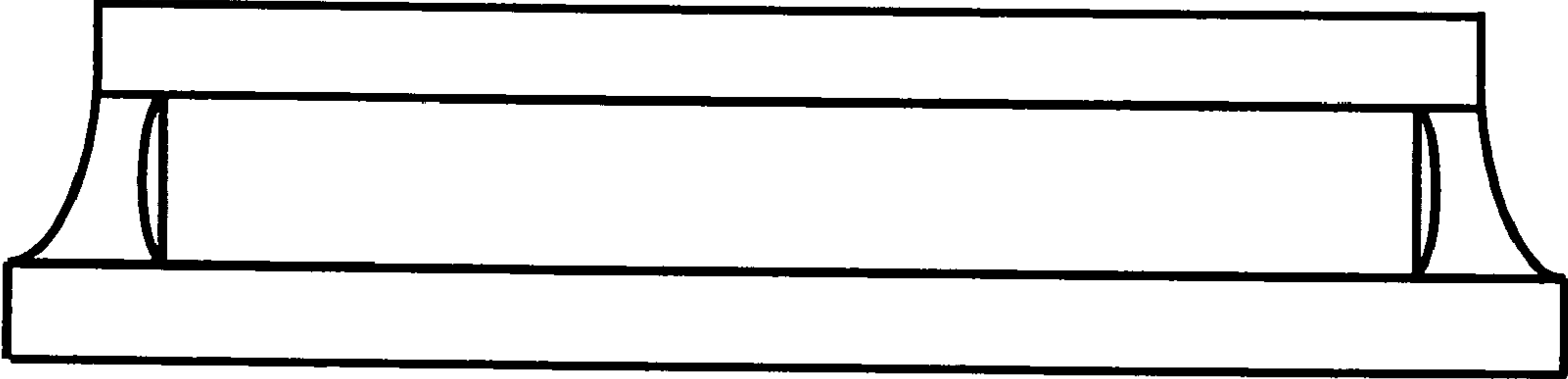
FIG. 1 is a perspective view of an “achievement award base” showing my new design;  
 FIG. 2 is a front view thereof;  
 FIG. 3 is a rear view thereof;  
 FIG. 4 is a right side view thereof;  
 FIG. 5 is a top plan view thereof;  
 FIG. 6 is a cross-sectional view taken along lines 6—6 of FIG. 5; and,  
 FIG. 7 is a bottom view thereof.

**1 Claim, 3 Drawing Sheets**

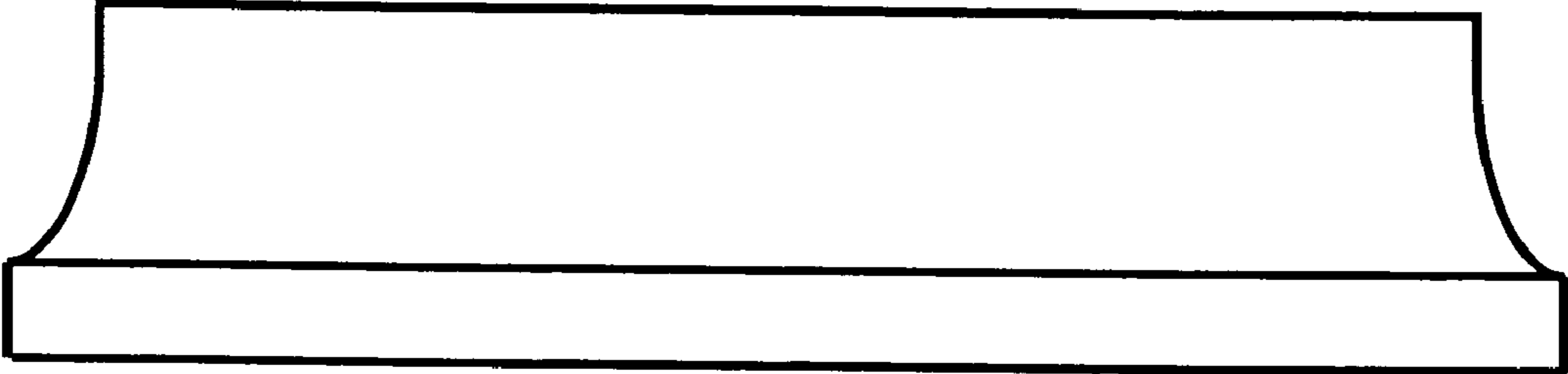




**Fig. 1**

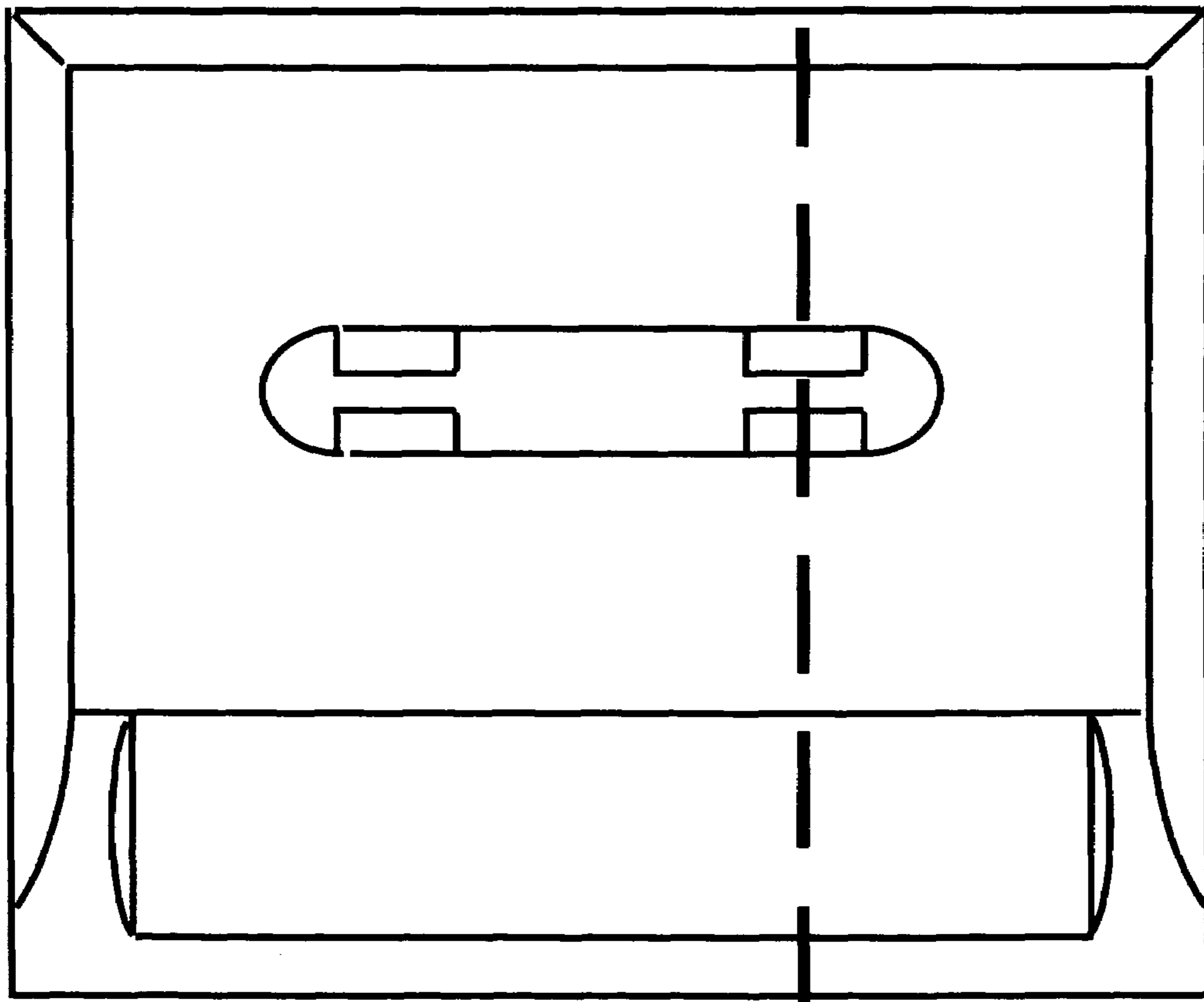
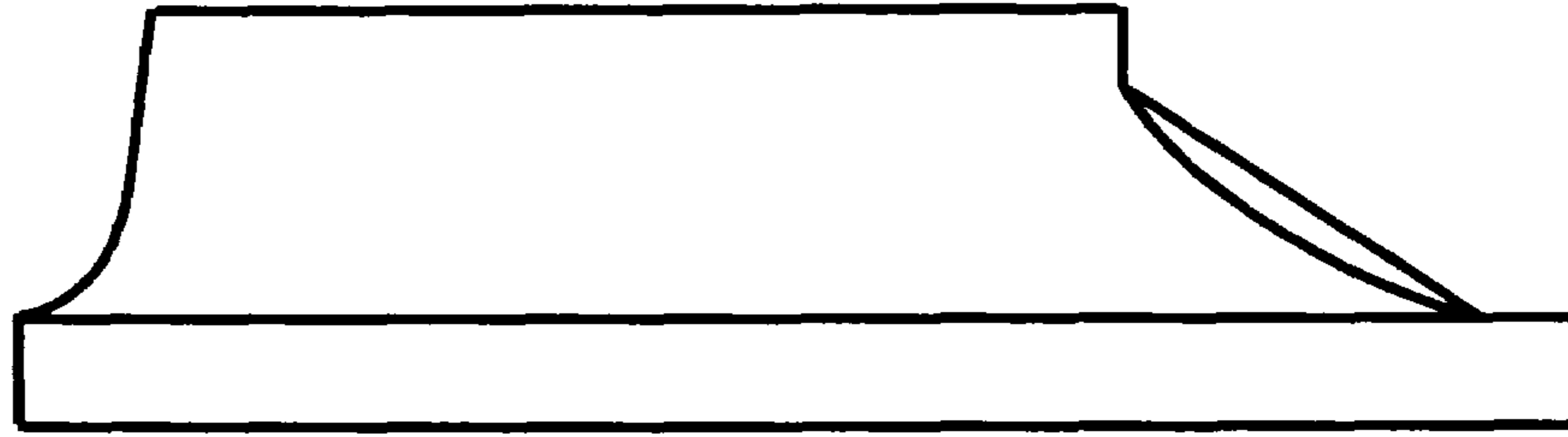


**Fig. 2**



**Fig. 3**

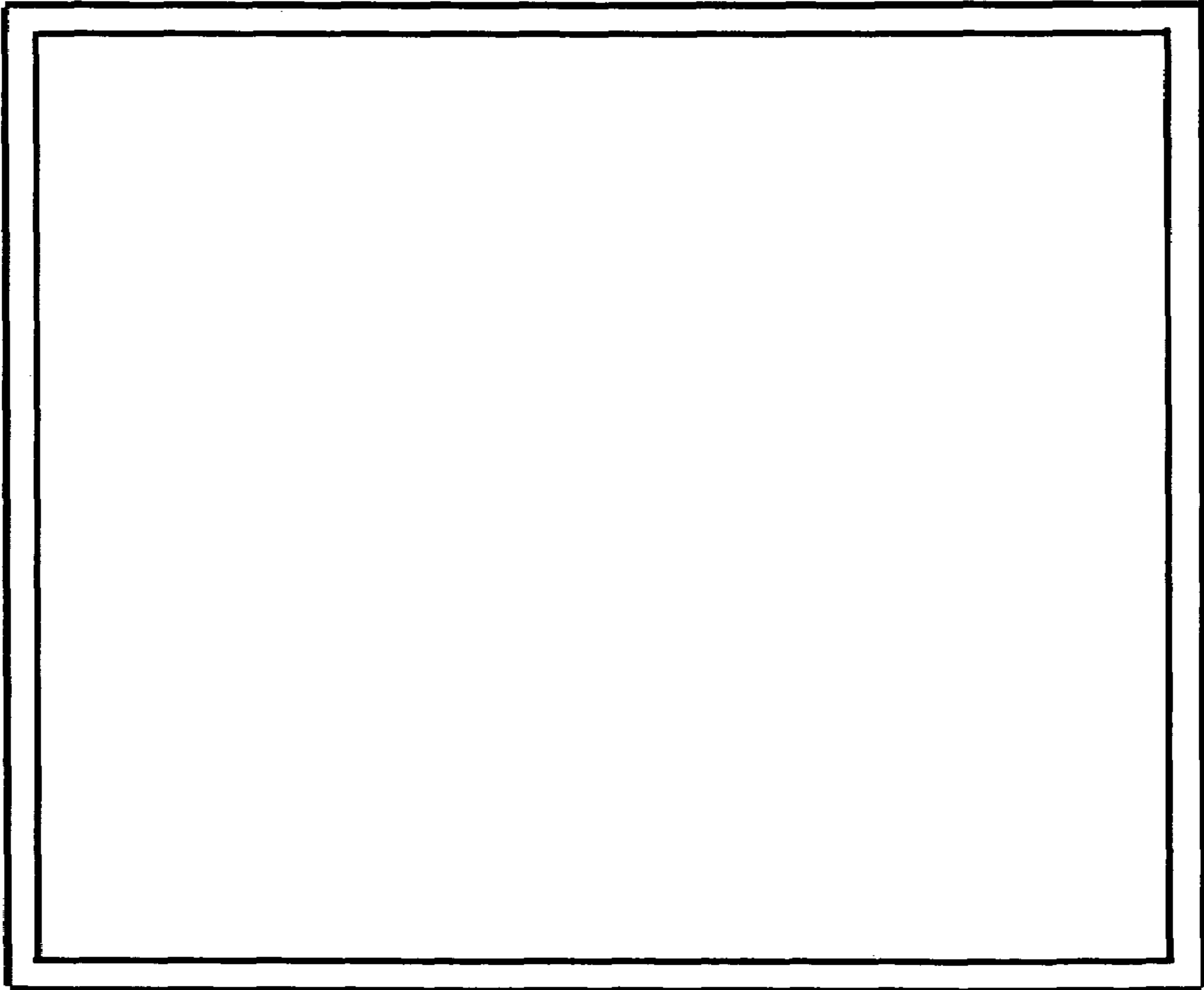
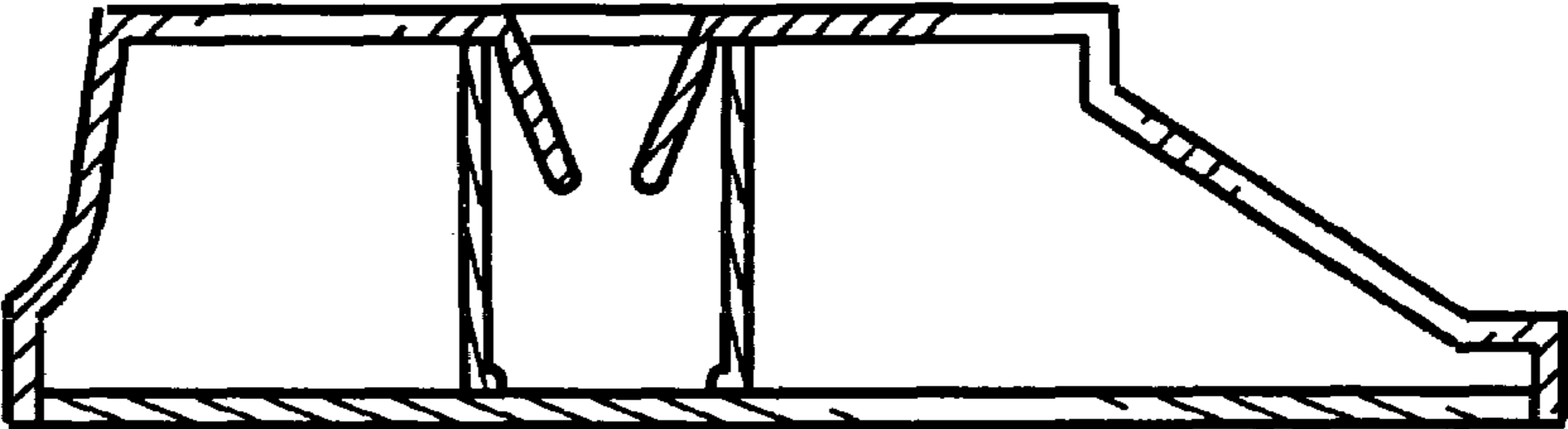
**Fig. 4**



**Fig. 5**



**Fig.6**



**Fig. 7**