



US00D615449S

(12) **United States Design Patent**
Hayden et al.

(10) **Patent No.:** **US D615,449 S**

(45) **Date of Patent:** **** May 11, 2010**

(54) **CROSS**

(76) Inventors: **Michael J. Hayden**, 15145 Kings Ridge Ct., Brookfield, WI (US) 53005; **Jeffrey A. Keinert**, 3815 N. Brookfield Rd. #104-101, Brookfield, WI (US) 53045

(**) Term: **14 Years**

(21) Appl. No.: **29/342,752**

(22) Filed: **Aug. 31, 2009**

(51) **LOC (9) Cl.** **11-03**

(52) **U.S. Cl.** **D11/96**

(58) **Field of Classification Search** D11/8, D11/7, 9, 10, 11, 12, 14, 16, 17, 18, 21, 22, D11/40, 43, 44, 45, 48, 49, 56, 62, 66, 75, D11/77, 78, 79, 80, 81, 82, 83, 84, 85, 89, D11/90, 95-105, 108, 109, 115, 116, 131, D11/132, 133, 140, 141, 157, 159, 164, 184, D11/121; 63/1.11, 1.12, 1.13, 1.14, 1.16, 63/1.18, 13, 14.1, 35, 38, 39, 3.1, 20, 23, 63/33, 40, 42; D99/25, 26, 27

See application file for complete search history.

(56) **References Cited**

U.S. PATENT DOCUMENTS

| | | | | |
|---------------|---------|------------|-------|--------|
| D18,590 S * | 9/1888 | Stachowski | | D11/96 |
| D24,162 S | 4/1895 | Patterson | | |
| D46,571 S * | 10/1914 | Mix | | D99/27 |
| 1,112,640 A * | 10/1914 | Mix | | 63/19 |
| D48,758 S | 3/1916 | Patterson | | |
| D86,292 S * | 2/1932 | White | | D99/27 |

Primary Examiner—T. Chase Nelson
Assistant Examiner—Ania K Dworzecka

(74) *Attorney, Agent, or Firm*—Foley & Lardner LLP

(57) **CLAIM**

We claim the ornamental design for a cross, as shown and described.

DESCRIPTION

FIG. 1 is a front perspective view from above of a first embodiment of the claimed design;

FIG. 2 is a front view of the first embodiment;

FIG. 3 is a top view of the first embodiment;

FIG. 4 is a bottom view of the first embodiment;

FIG. 5 is a right side view of the first embodiment;

FIG. 6 is a left side view of the first embodiment;

FIG. 7 is a rear view of the first embodiment;

FIG. 8 is a front perspective view from above of a second embodiment of the claimed design;

FIG. 9 is a front view of the second embodiment;

FIG. 10 is a top view of the second embodiment;

FIG. 11 is a bottom view of the second embodiment;

FIG. 12 is a right side view of the second embodiment;

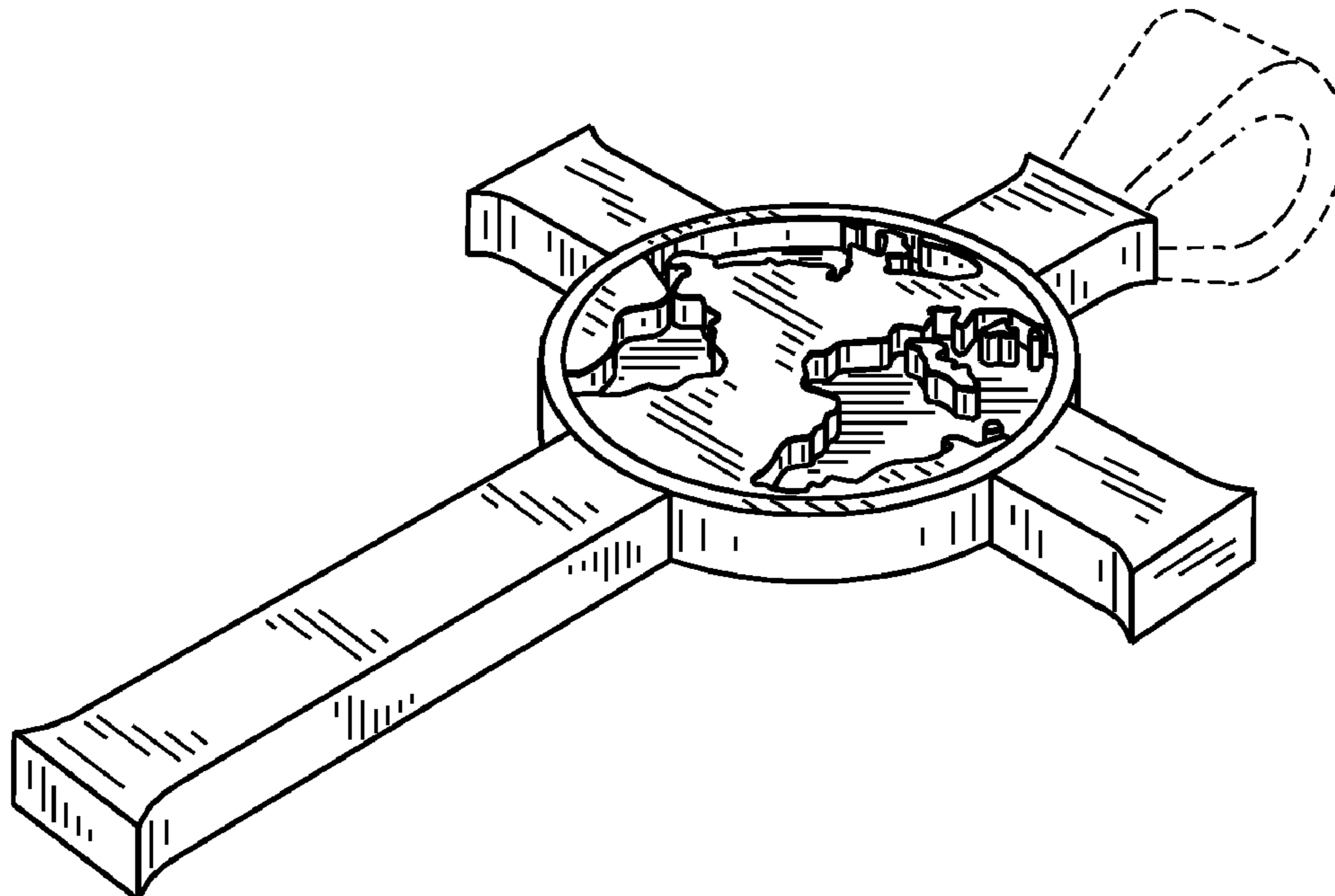
FIG. 13 is a left side view of the second embodiment; and,

FIG. 14 is a rear view of the second embodiment.

The ornamental design that is claimed is shown in solid lines in the drawings. Any broken lines in the drawings are for illustrative purposes only and form no part of the claimed design.

(Continued)

1 Claim, 8 Drawing Sheets



US D615,449 S

Page 2

U.S. PATENT DOCUMENTS

| | | | | | | | |
|--------------|---------|--------------------|--------|--------------|---------|-----------------|--------|
| D115,252 S | 6/1939 | Kemsley | | D257,069 S | 9/1980 | Wozniski | |
| D116,859 S * | 9/1939 | McDoonald | D11/96 | D355,144 S * | 2/1995 | Cord | D11/81 |
| D119,993 S * | 4/1940 | Brandt et al. | D99/27 | D373,970 S | 9/1996 | Gonzalez et al. | |
| D186,946 S | 12/1959 | Schuessler | | D401,883 S | 12/1998 | Madhvani | |
| D192,093 S * | 1/1962 | Bienne | D10/36 | D455,672 S * | 4/2002 | Knezevich | D11/96 |
| D237,723 S | 11/1975 | Sweet et al. | | D465,432 S | 11/2002 | Menmi | |
| D255,279 S | 6/1980 | Graves | | D506,948 S | 7/2005 | Gehrke | |

* cited by examiner

FIG. 1

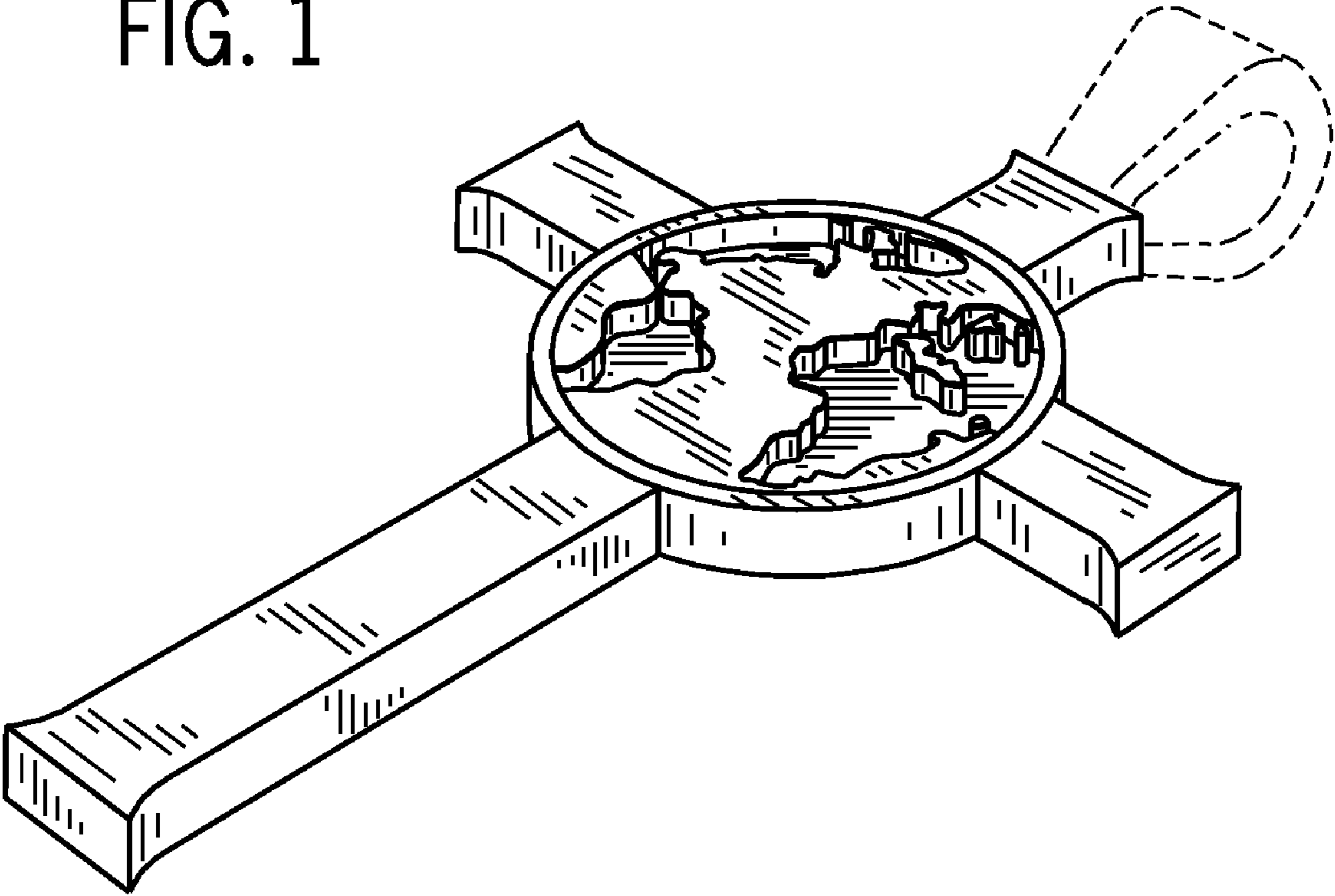


FIG. 3

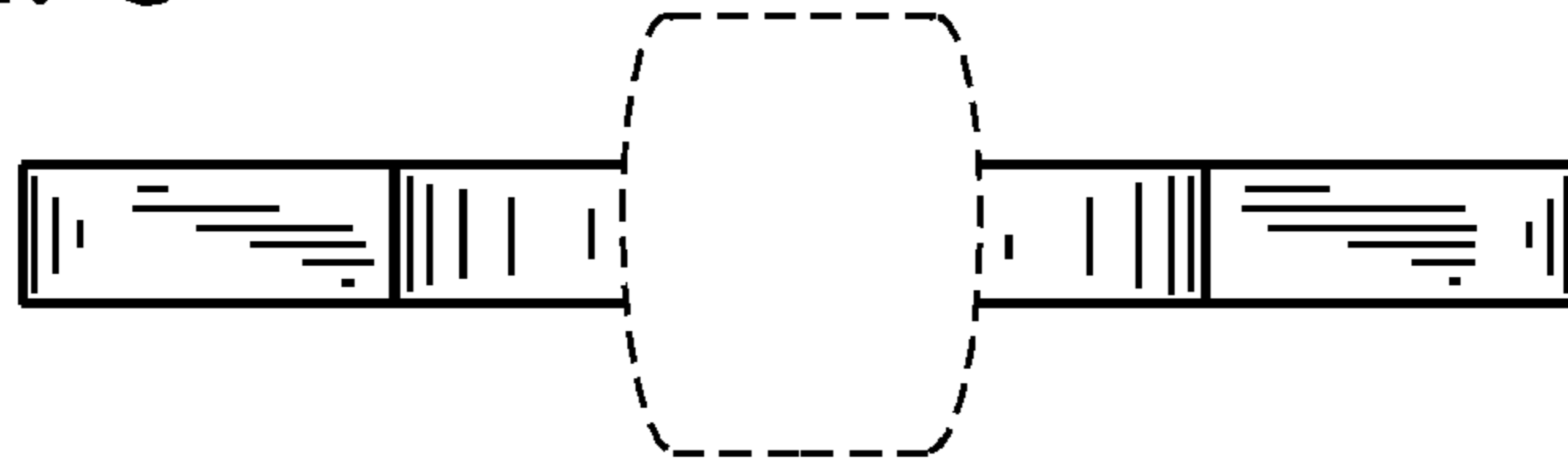


FIG. 2

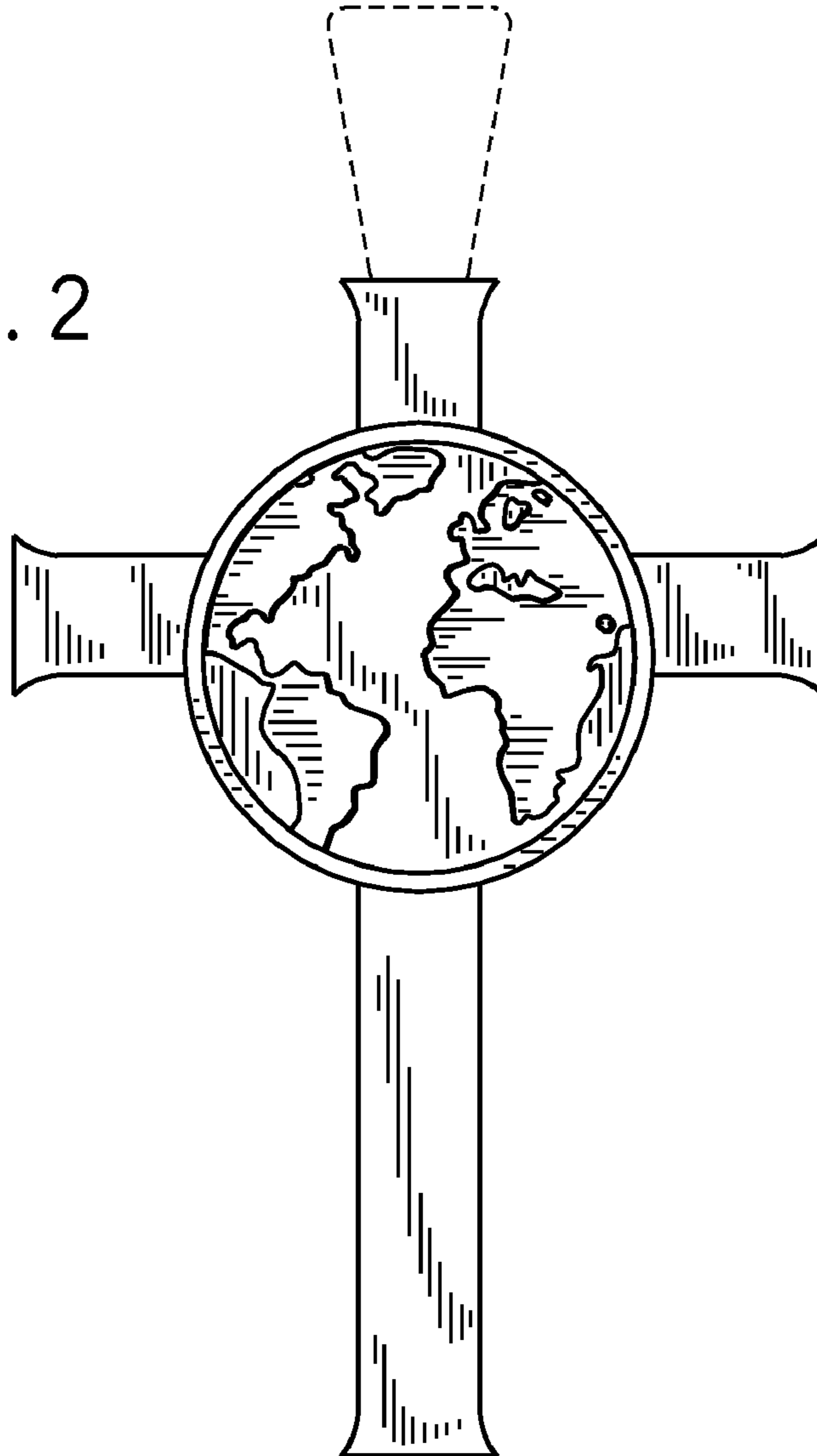
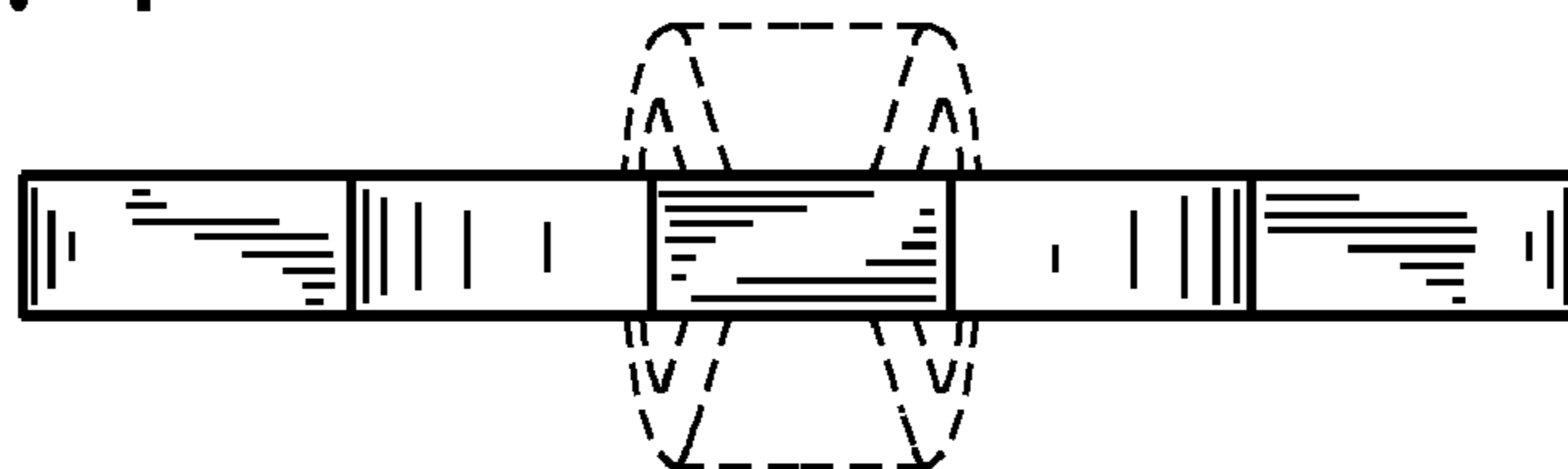


FIG. 4



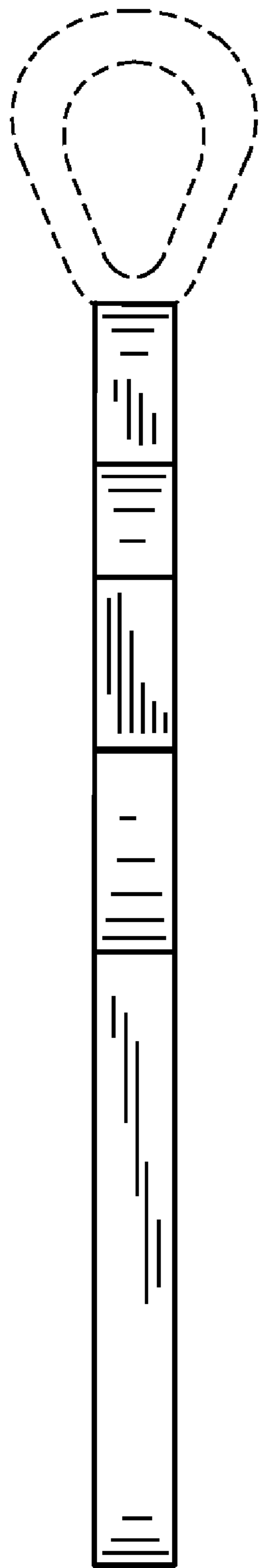


FIG. 5

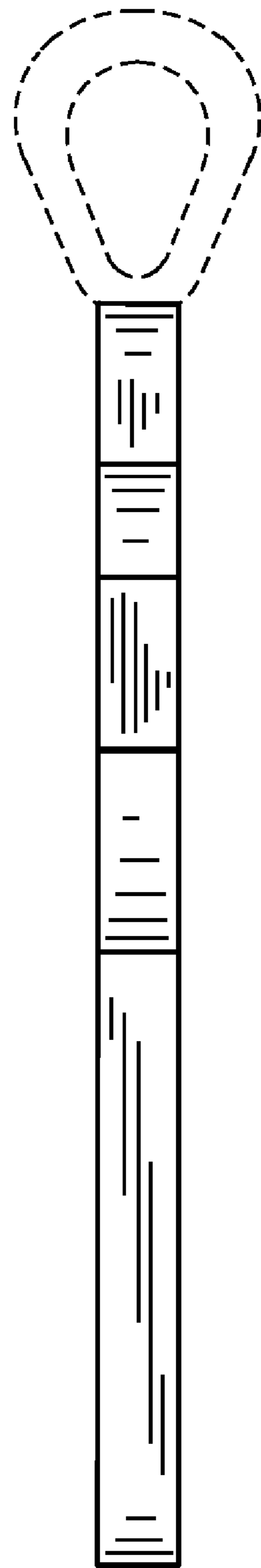


FIG. 6

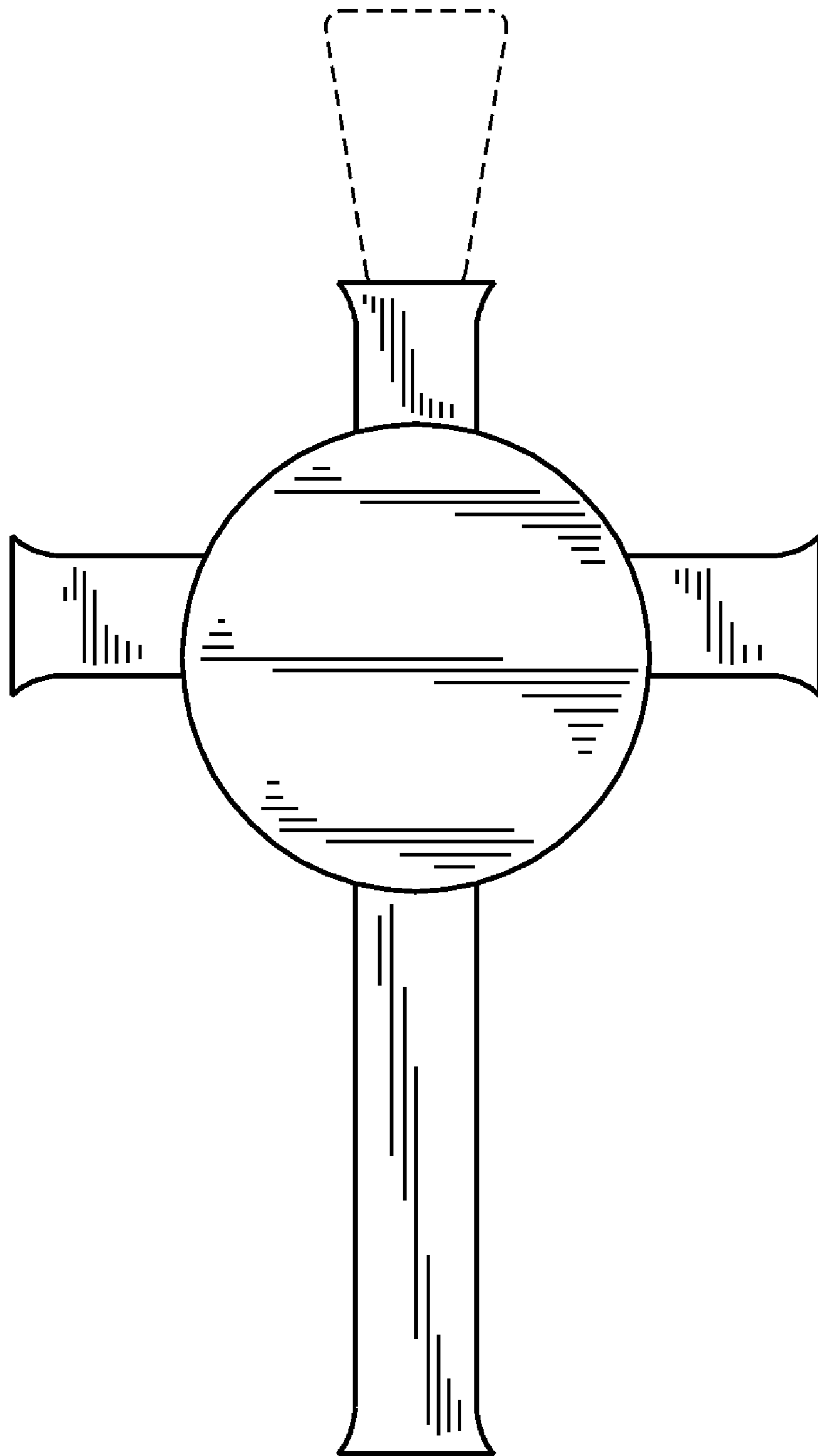


FIG. 7

FIG. 8

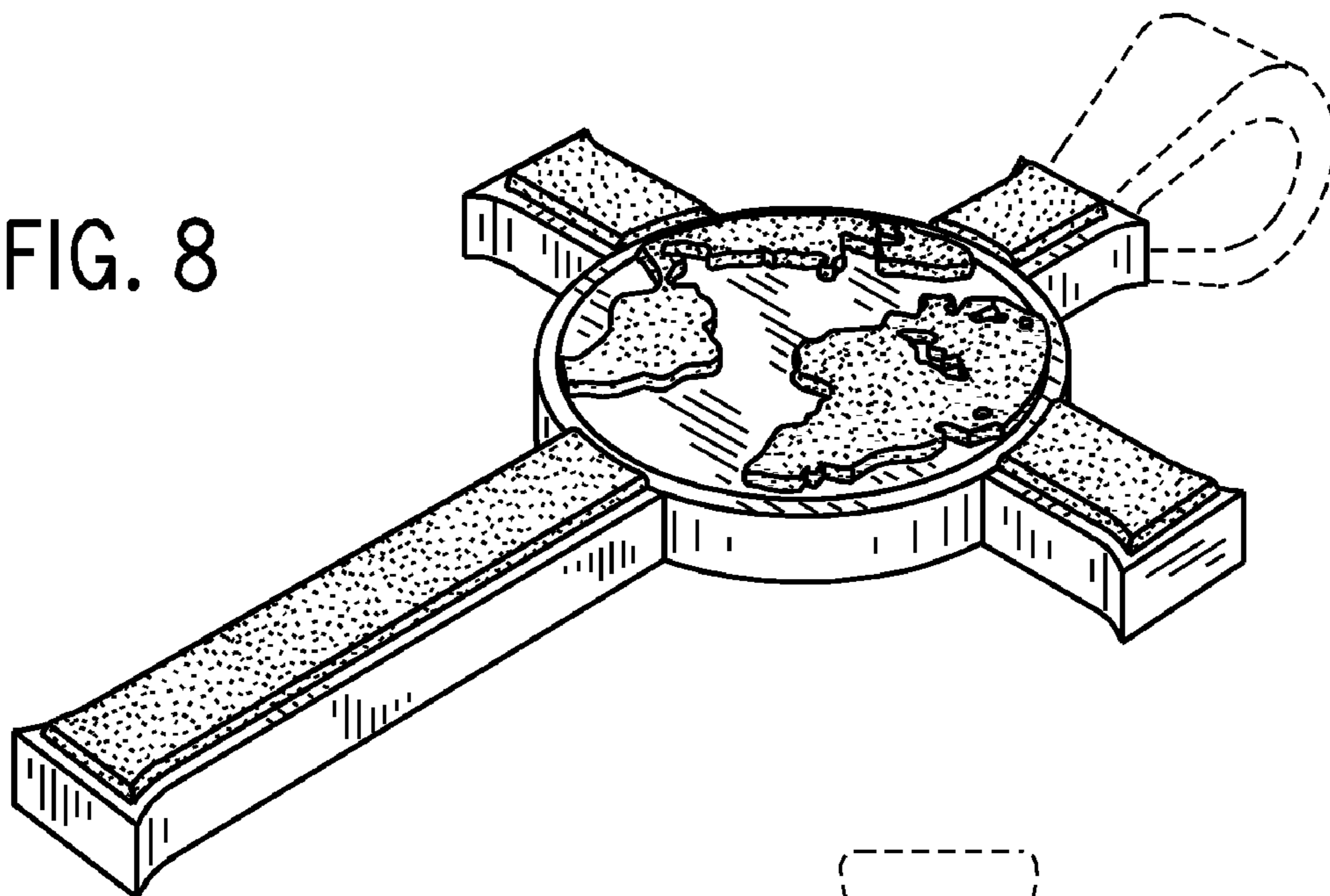
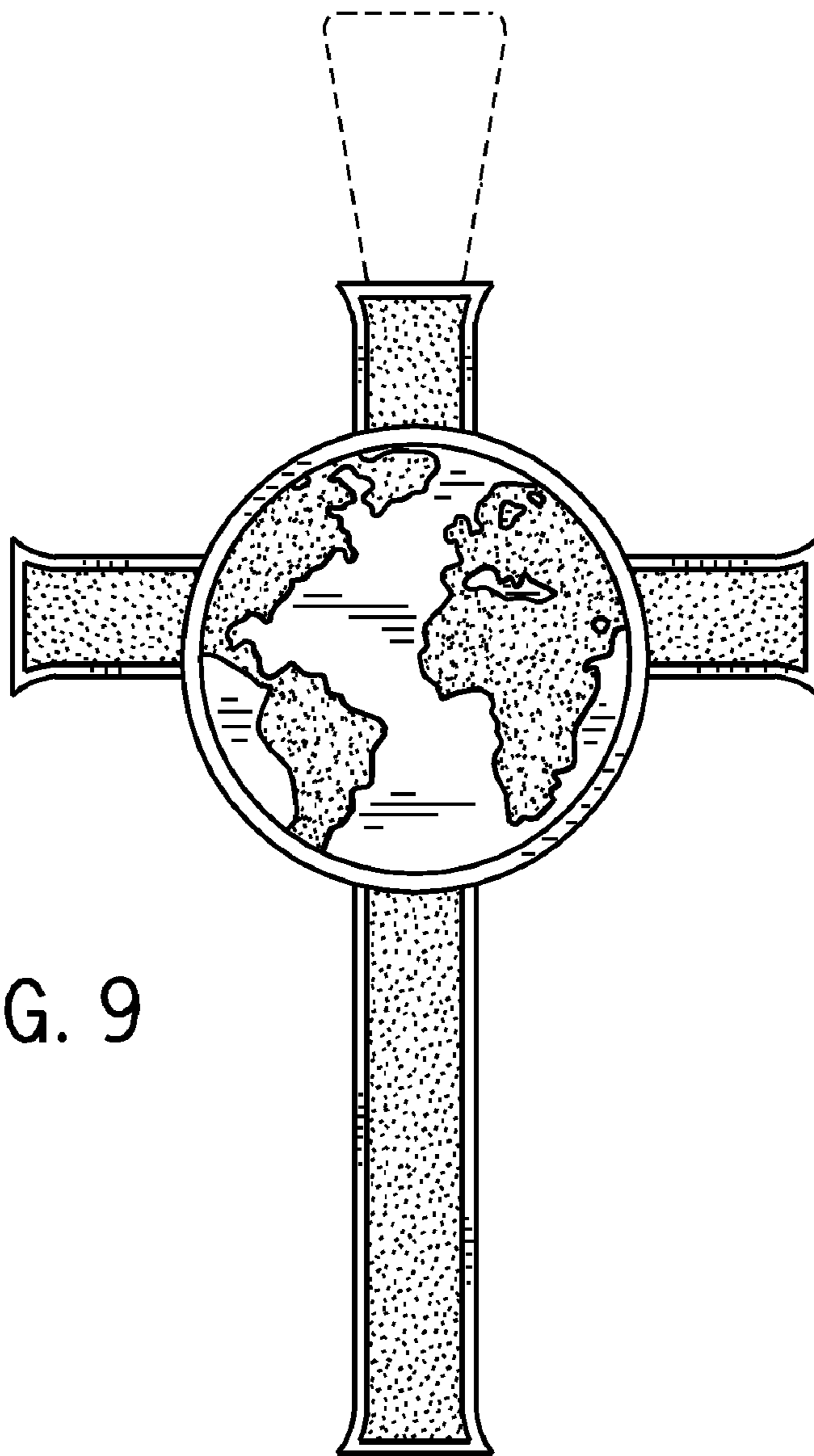


FIG. 9



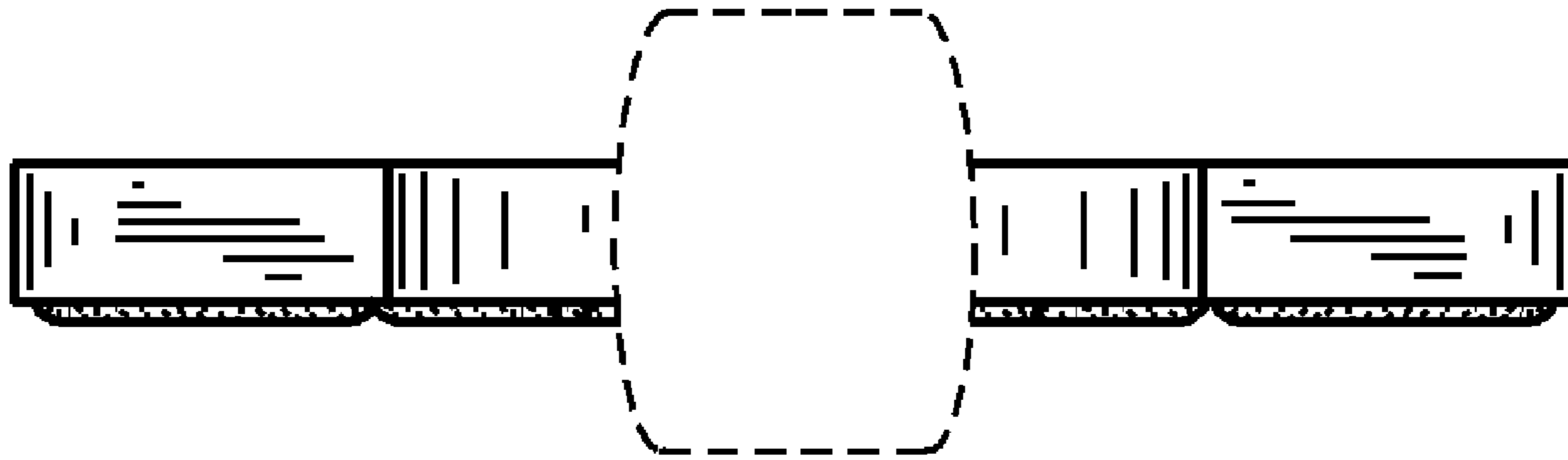


FIG. 10



FIG. 11

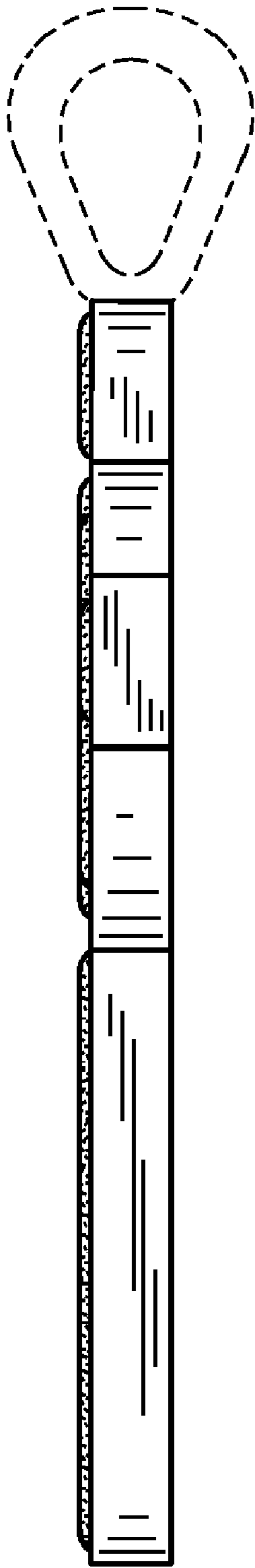


FIG. 12

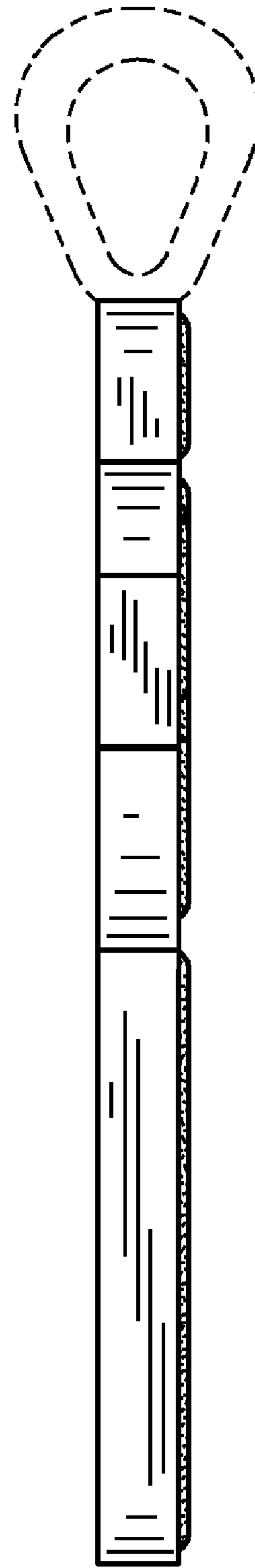


FIG. 13

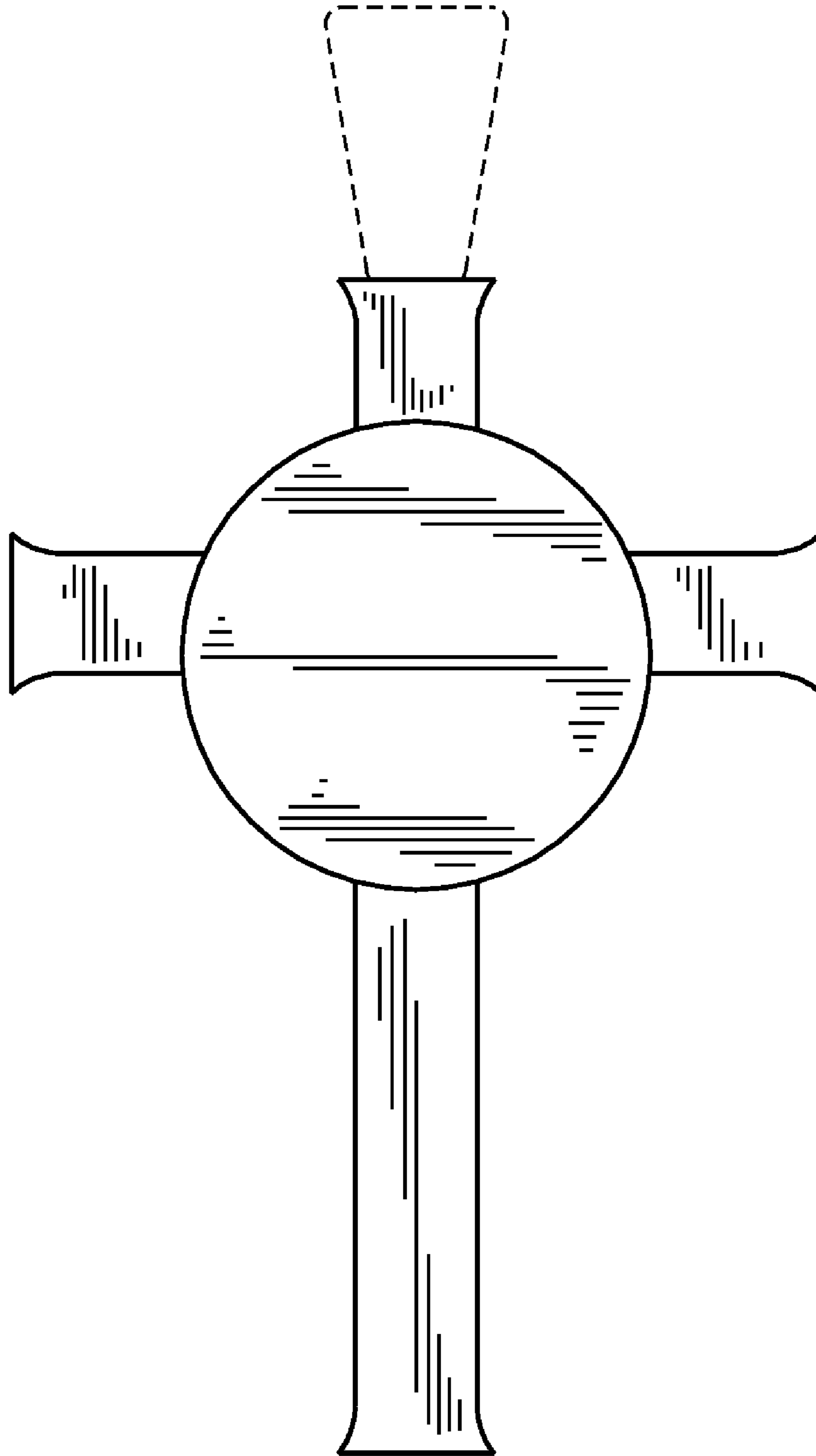


FIG. 14