



US00D615447S

(12) **United States Design Patent**
Raum

(10) **Patent No.:** **US D615,447 S**

(45) **Date of Patent:** **** May 11, 2010**

(54) **MEDIA NECKLACE**

(75) Inventor: **Karen Maree Raum**, 1569 Lawson Ave., Erie, CO (US) 80516

(73) Assignee: **Karen Maree Raum**, Erie, CO (US)

(**) Term: **14 Years**

(21) Appl. No.: **29/321,667**

(22) Filed: **Jul. 21, 2008**

(51) **LOC (9) Cl.** **11-01**

(52) **U.S. Cl.** **D11/79**

(58) **Field of Classification Search** D11/8,
D11/7, 9, 10, 11, 12, 14, 16, 17, 18, 21, 22,
D11/40, 43, 44, 45, 48, 49, 56, 62, 66, 75,
D11/77, 78, 79, 80, 81, 82, 83, 84, 85, 89,
D11/90, 95-105, 108, 109, 115, 116, 131,
D11/132, 133, 140, 141, 157, 159, 164, 184,
D11/121; 63/1.11, 1.12, 1.13, 1.14, 1.16,
63/1.18, 13, 14.1, 35, 38, 39, 3.1, 20, 23,
63/33, 40, 42; D3/218, 201, 215, 226, 269,
D3/272-273; D14/496, 156, 138

See application file for complete search history.

(56) **References Cited**

U.S. PATENT DOCUMENTS

D249,339 S * 9/1978 Coulthurst D11/79
D311,356 S * 10/1990 De Frahan D11/79
D404,197 S * 1/1999 Dobbins D3/230

D475,317 S * 6/2003 Fernandez D11/79
6,669,017 B2 * 12/2003 Linihan 206/305
D531,157 S * 10/2006 Lheem D14/138 AB
D566,962 S * 4/2008 Griffin et al. D3/218
D581,155 S * 11/2008 Richardson et al. D3/218
D587,008 S * 2/2009 Richardson et al. D3/218
D589,250 S * 3/2009 Myers D3/218

* cited by examiner

Primary Examiner—T. Chase Nelson
Assistant Examiner—Ania K Dworzecka

(57) **CLAIM**

The ornamental design for a media necklace, as shown and described.

DESCRIPTION

FIG. 1 is a perspective view of a media necklace, showing my new design;

FIG. 2 is a rear elevational view of the invention;

FIG. 3 is a front elevational view of the invention;

FIG. 4 is a left-side elevational view of the invention;

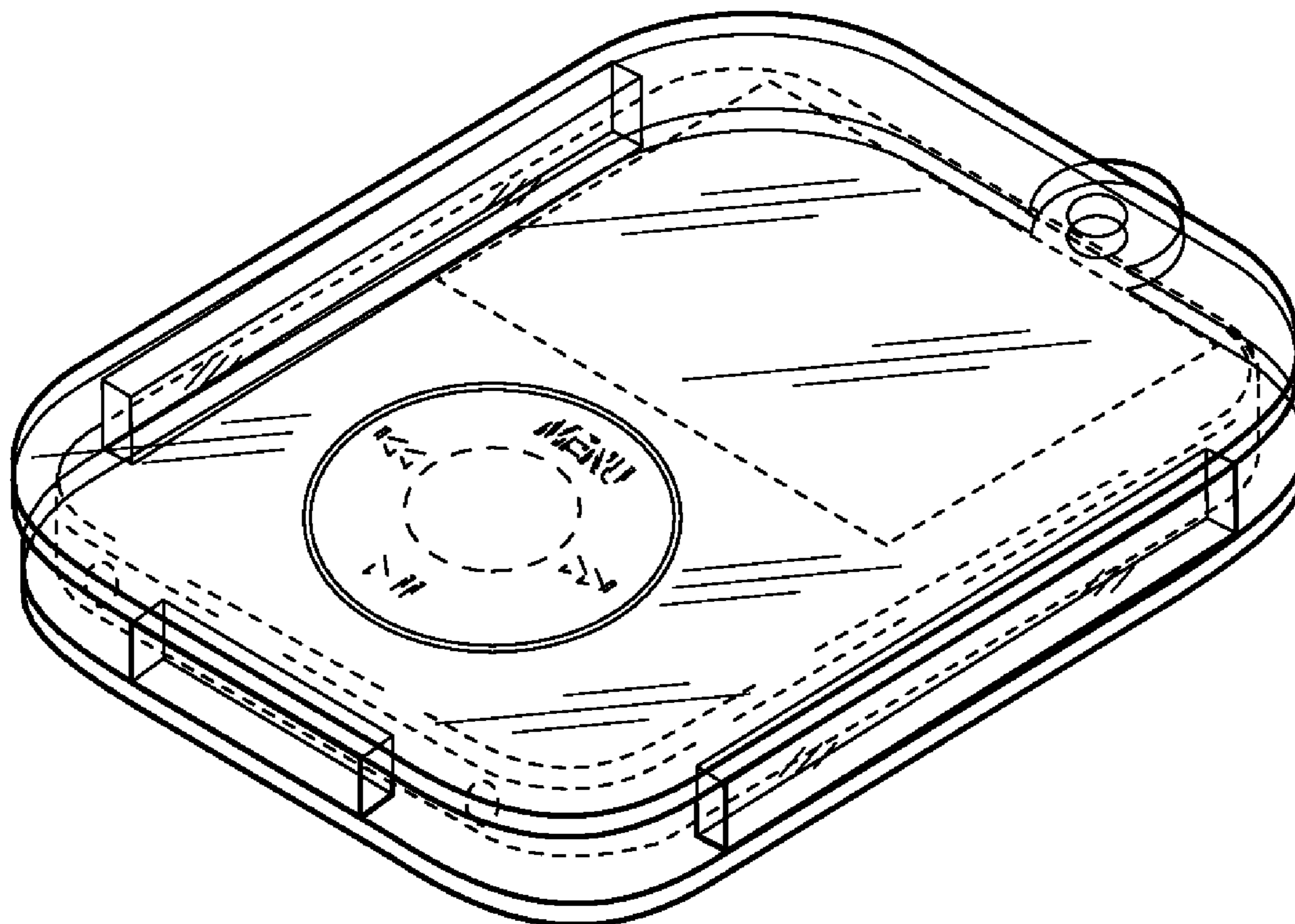
FIG. 5 is a right-side elevational view of the invention;

FIG. 6 is a top plan view of the invention; and,

FIG. 7 is a bottom plan view of the invention.

The broken lines showing a media player in FIG. 1 are included for the purpose of illustrating the invention in use, and form no part of the claimed design.

1 Claim, 2 Drawing Sheets



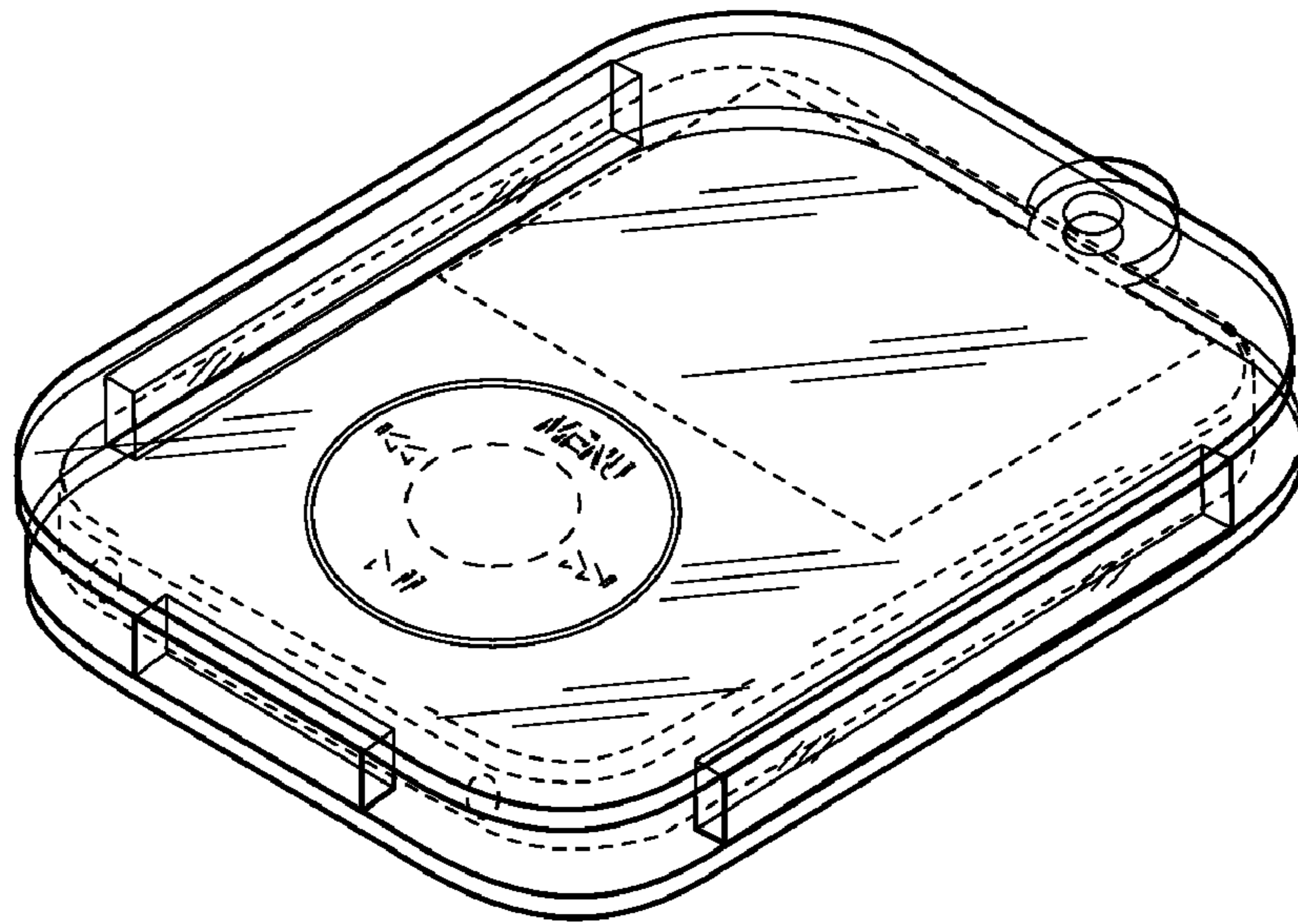


FIG. 1

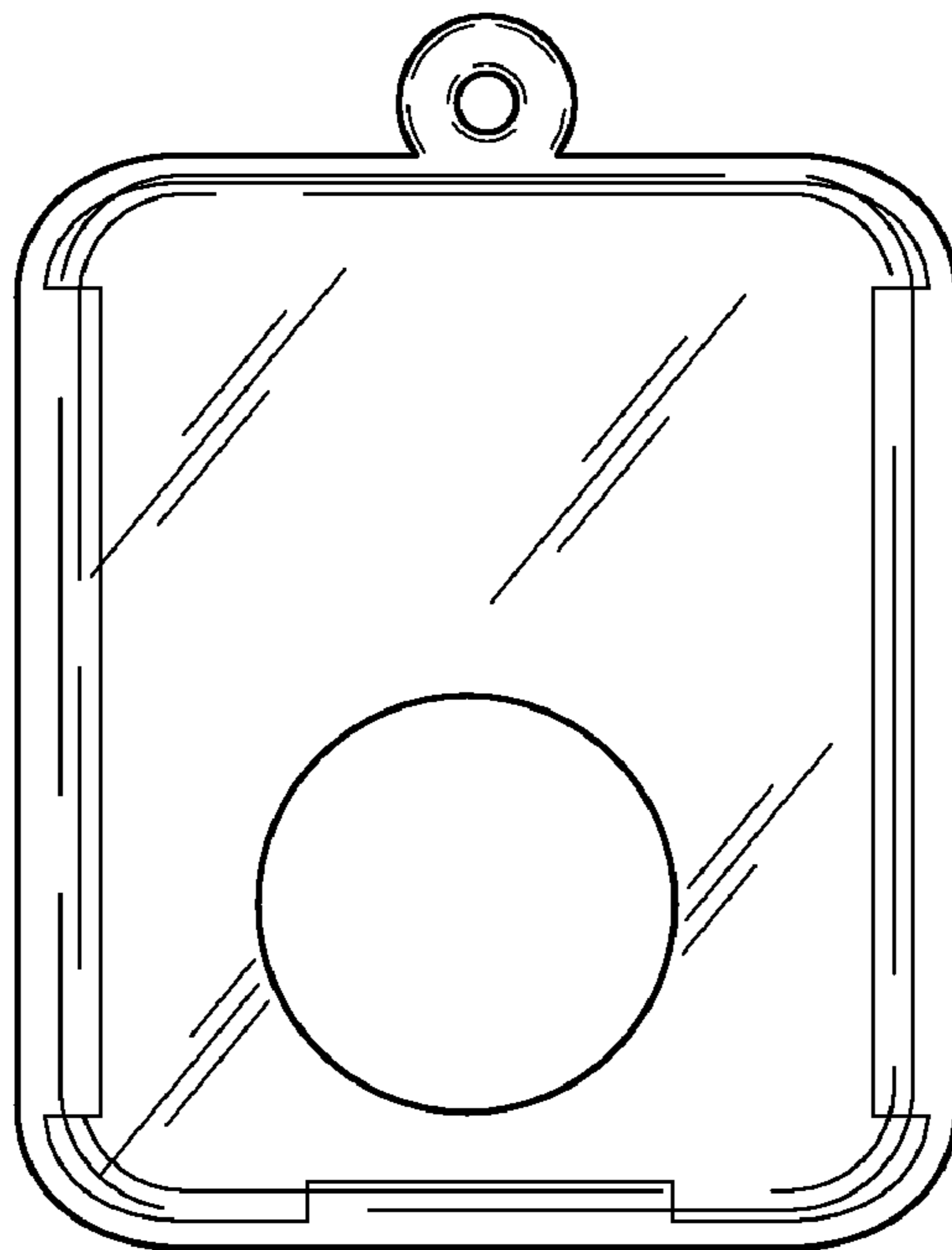


FIG. 2

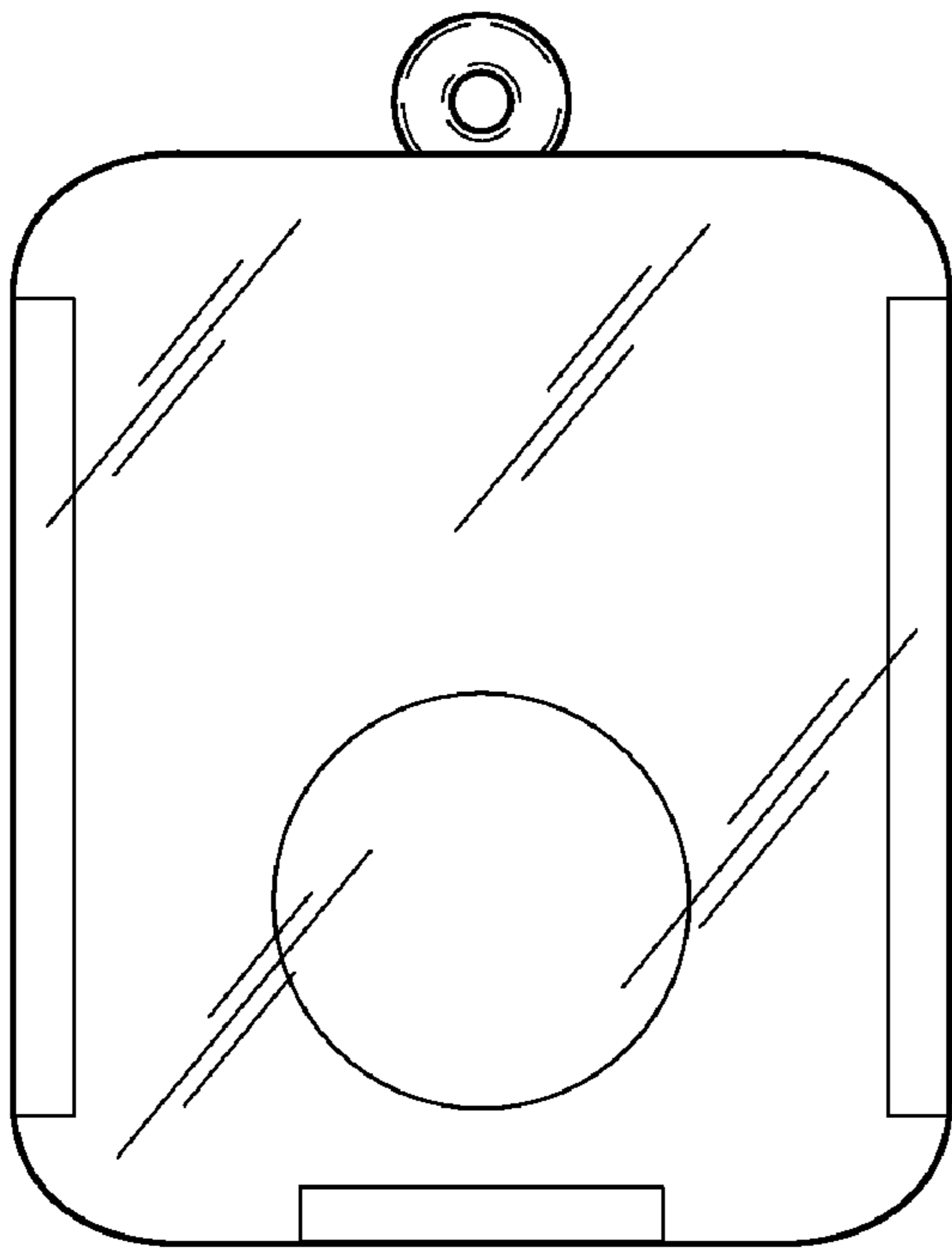


FIG. 3

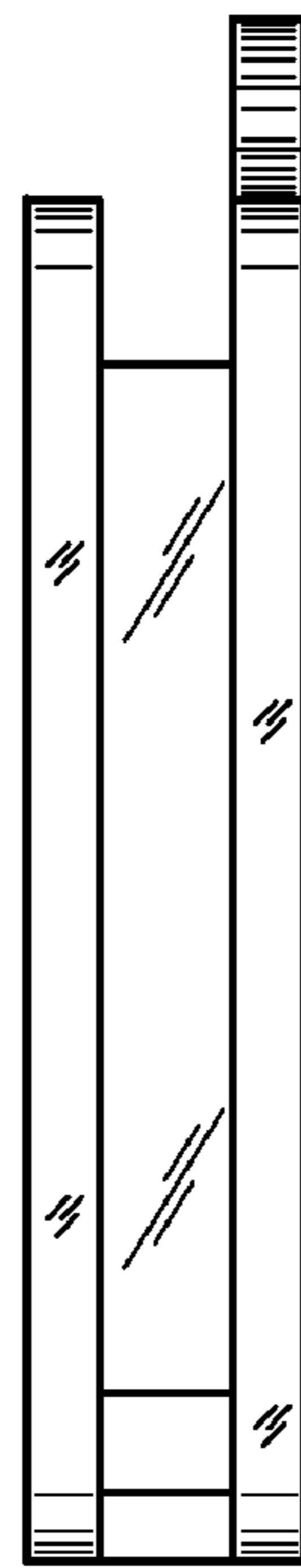


FIG. 4

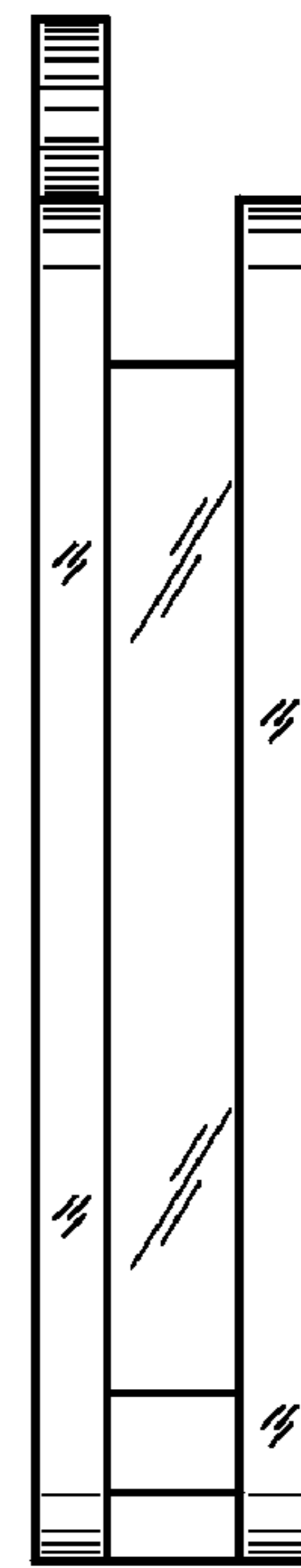


FIG. 5

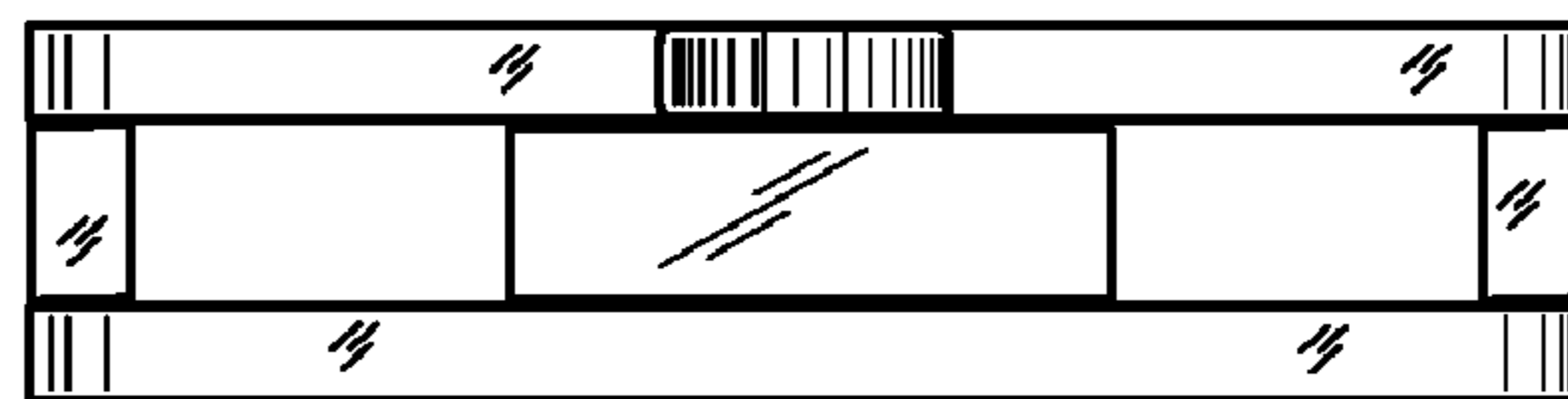


FIG. 6

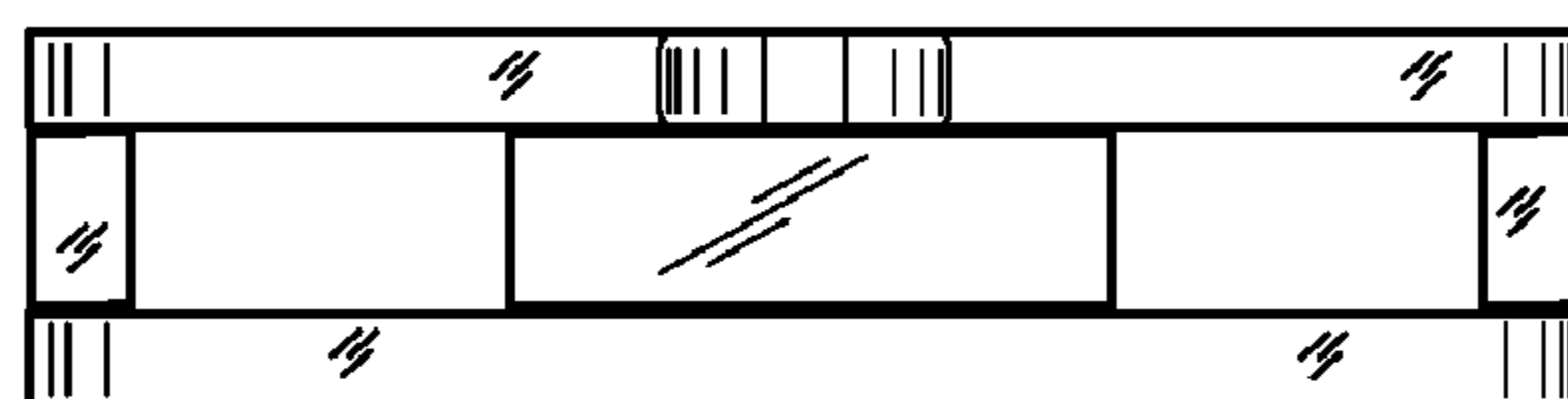


FIG. 7