



US00D615446S

(12) **United States Design Patent**
Vagal

(10) **Patent No.:** **US D615,446 S**

(45) **Date of Patent:** **** May 11, 2010**

(54) **RING**

(75) Inventor: **Ruchita K. Vagal**, Mumbai (IN)

(73) Assignee: **Jewelex New York, Ltd.**, New York, NY (US)

(**) Term: **14 Years**

(21) Appl. No.: **29/316,195**

(22) Filed: **Sep. 1, 2009**

(51) **LOC (9) Cl.** **11-01**

(52) **U.S. Cl.** **D11/34**

(58) **Field of Classification Search** D11/26-39,
D11/89-91; 63/15.1-15.4, 15.45, 15.5, 15.6,
63/15.65, 15.7, 26-27

See application file for complete search history.

(56) **References Cited**

U.S. PATENT DOCUMENTS

D64,544 S * 4/1924 Kaufman D11/34
D445,716 S * 7/2001 Goldstein D11/26
D454,315 S * 3/2002 Ambar D11/34
D581,308 S * 11/2008 Fernandez D11/34

OTHER PUBLICATIONS

Ring. Accessed Dec. 17, 2009. http://slimages.macys.com/is/image/MCY/products/9/optimized/379389_fpx.tif?wid=300&fmt=jpeg&qIt=100.*

Ring. Accessed Dec. 17, 2009. http://1.bp.blogspot.com/_7gkEkCvRtiM/SsNz3my1fSI/AAAAAAAAAgw/1tzTiEQYk1o/s200/Verragio@3614_M_VE-ins7033_M.jpg.*

Ring. Accessed Dec. 17, 2009. <http://www.burchardgalleries.com/auctions/2002/oct2002/I043b.jpg>.*

* cited by examiner

Primary Examiner—Cathron C Brooks

Assistant Examiner—Melanie Levy

(74) *Attorney, Agent, or Firm*—Thomas I. Rozsa

(57) **CLAIM**

The ornamental design for a ring, as shown and described.

DESCRIPTION

FIG. 1 is a perspective view of the ring, showing my design;

FIG. 2 is a top plan view thereof;

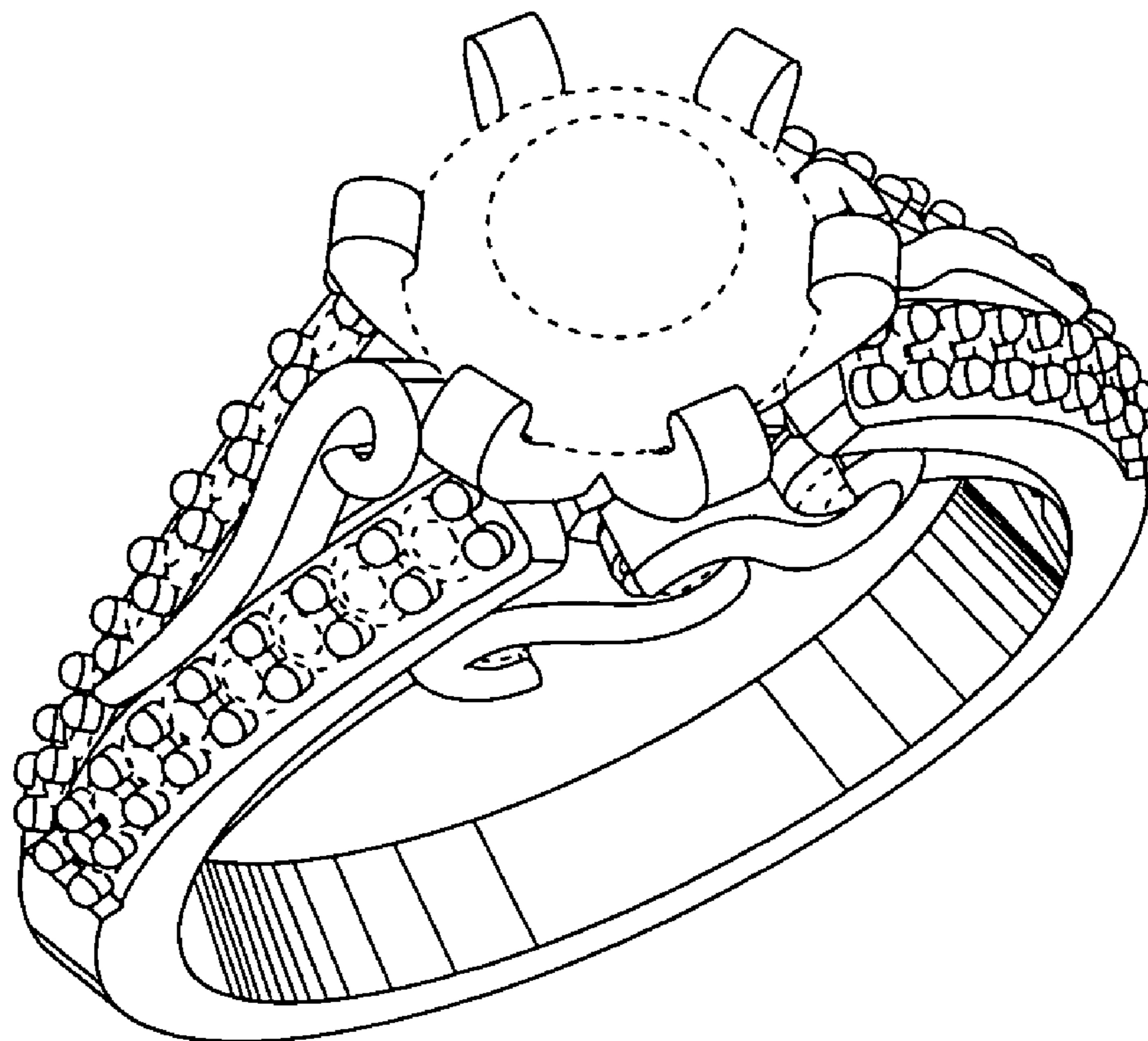
FIG. 3 is a bottom plan view thereof;

FIG. 4 is a front elevational view, the rear elevational view being a mirror image thereof; and,

FIG. 5 is a side elevational view thereof when viewed from the left side, the side elevational view from the right side being a mirror image thereof.

The stones within the setting of the ring are shown in broken lines and do not form any part of the claimed invention;

1 Claim, 2 Drawing Sheets



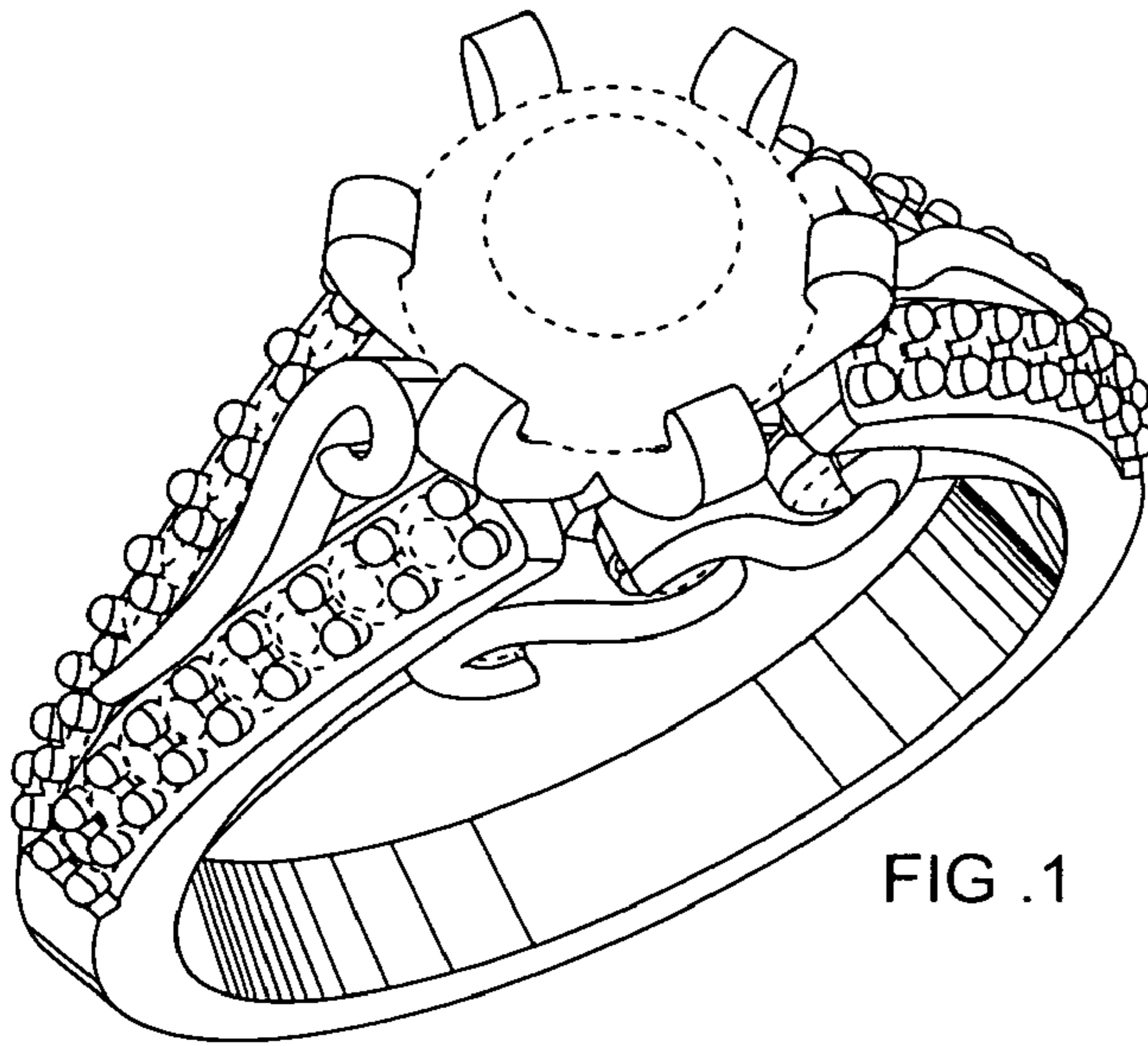


FIG . 1

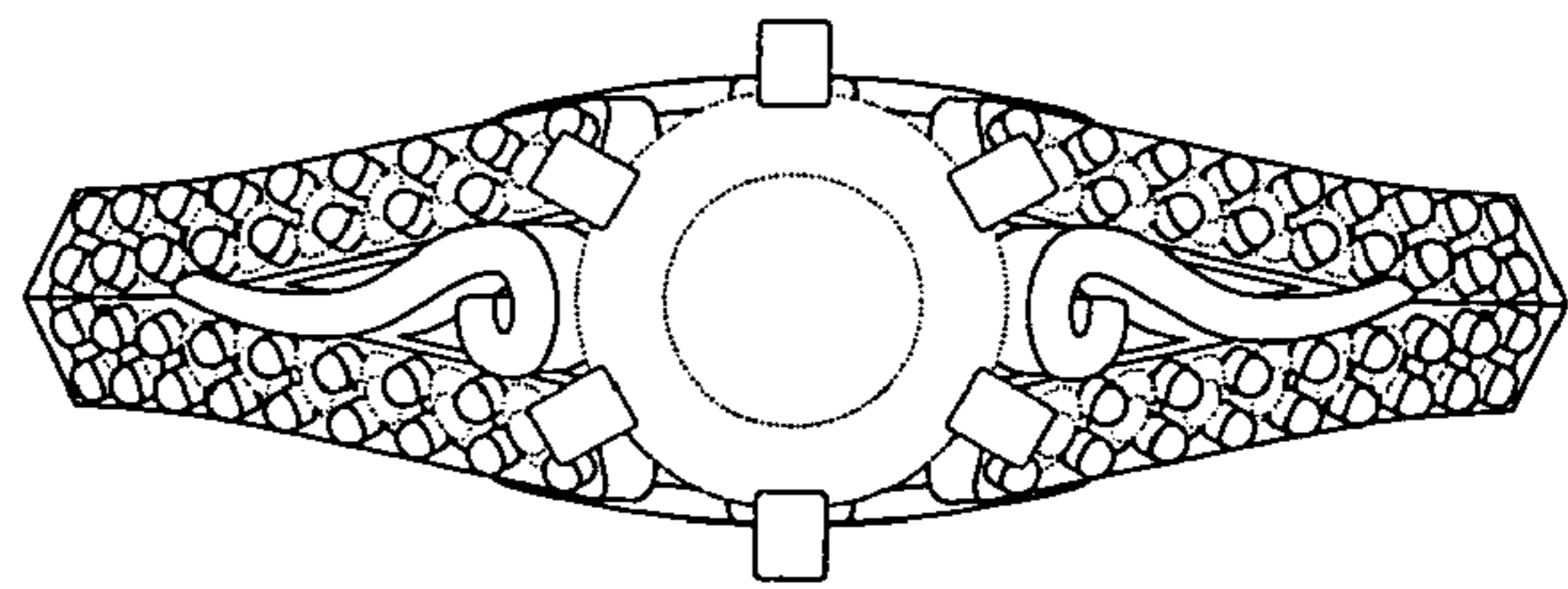


FIG . 2

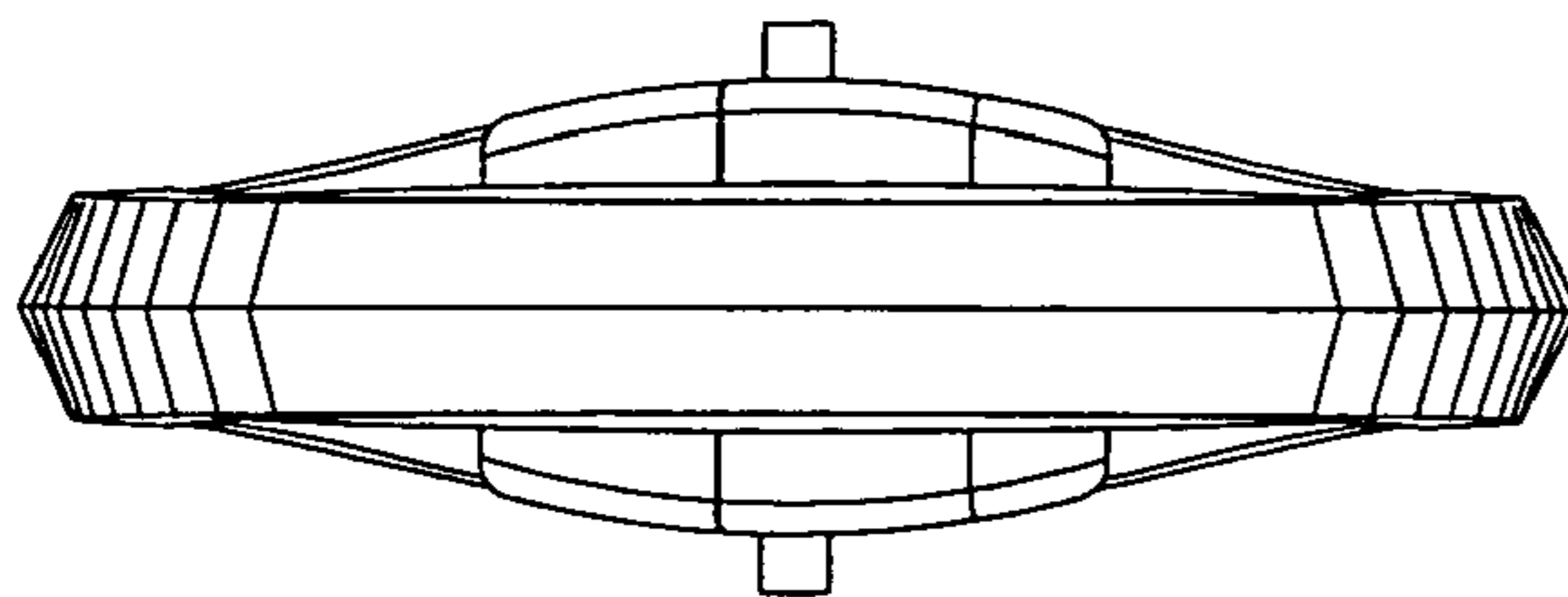


FIG . 3

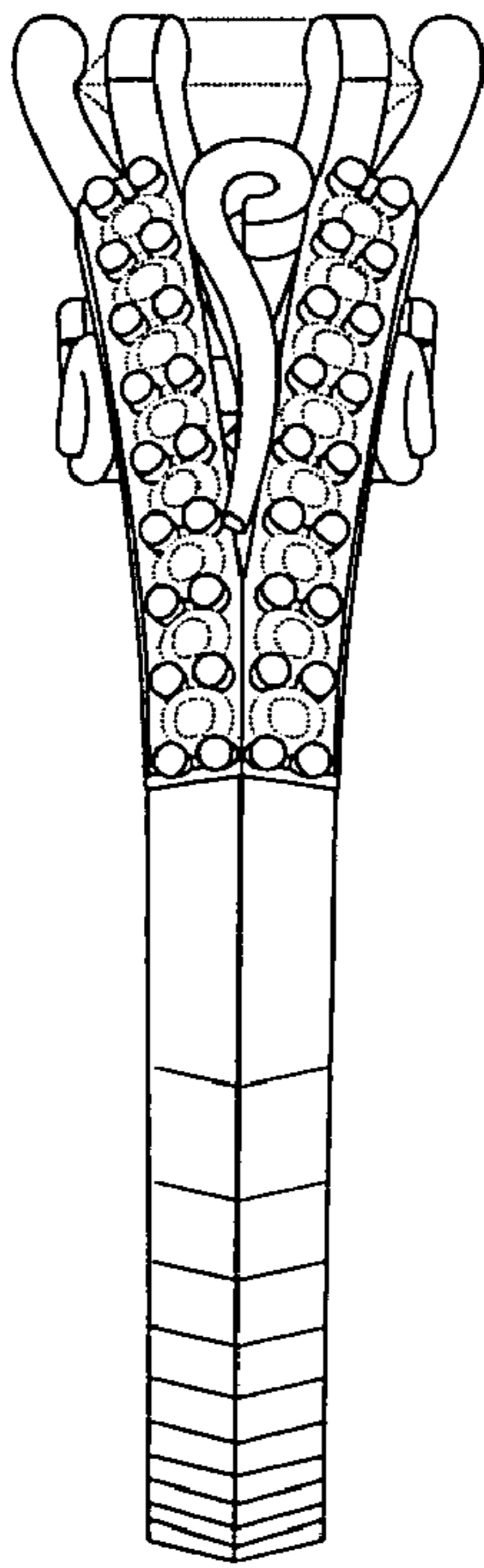


FIG . 5

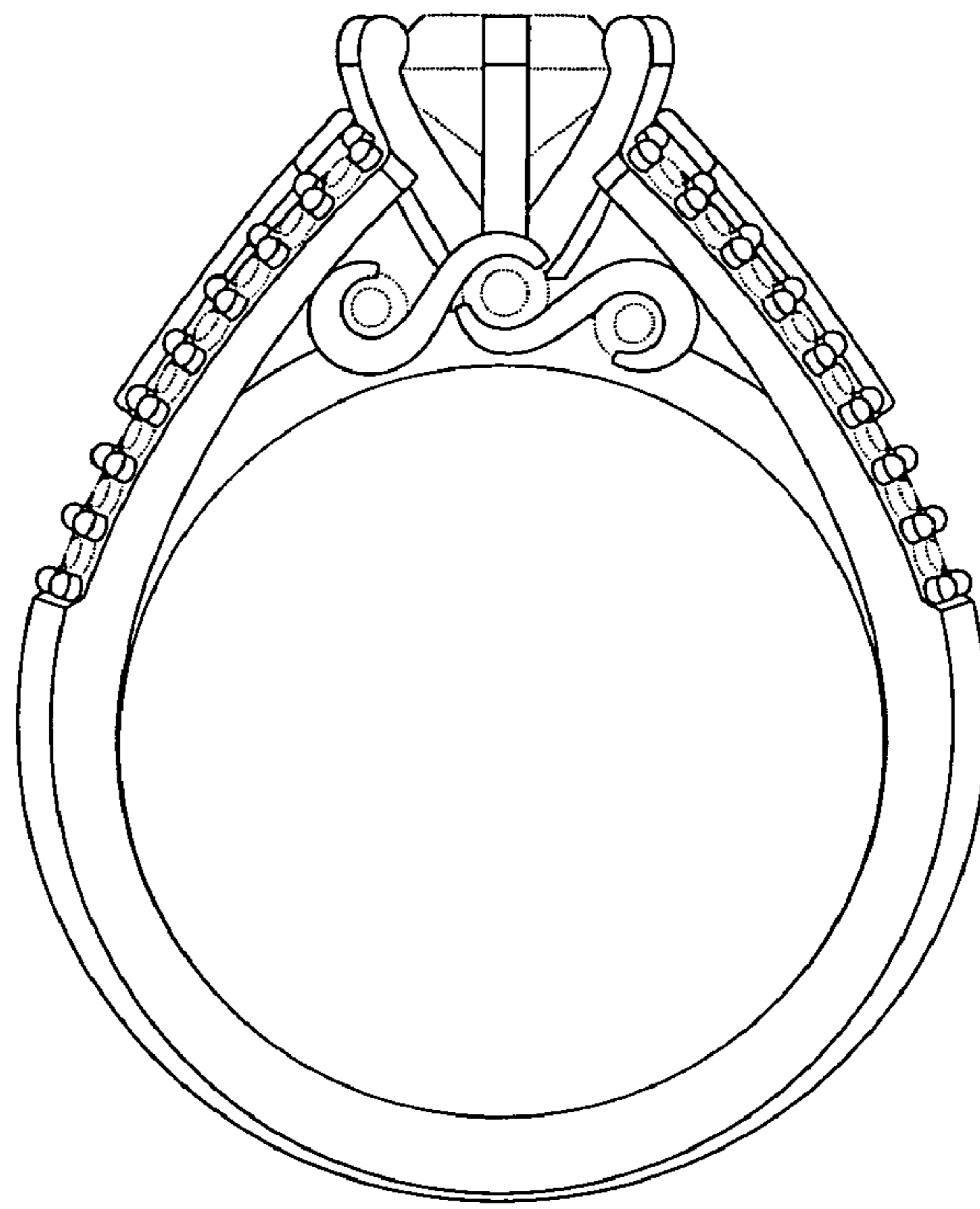


FIG . 4