



US00D615445S

(12) **United States Design Patent**
Hardy

(10) **Patent No.:** **US D615,445 S**
(45) **Date of Patent:** **** May 11, 2010**

(54) **RING**

(75) Inventor: **Pierre Hardy**, Paris (FR)

(73) Assignee: **Hermes Sellier (Societe Par Actions Simpliffee)**, Paris (FR)

(**) Term: **14 Years**

(21) Appl. No.: **29/343,186**

(22) Filed: **Sep. 9, 2009**

(30) **Foreign Application Priority Data**

Mar. 11, 2009 (WO) DM/071 463

(51) **LOC (9) Cl.** **11-01**

(52) **U.S. Cl.** **D11/26**

(58) **Field of Classification Search** D11/26-39,
D11/89-91, 1-6; 63/15.1-15.4, 15.45, 15.5,
63/15.6, 15.65, 15.7, 26-27

See application file for complete search history.

(56) **References Cited**

U.S. PATENT DOCUMENTS

2,176,727 A * 10/1939 Simmons 63/15
2,181,507 A * 11/1939 Chickering 63/15
D462,028 S * 8/2002 Roure D11/26
D483,912 S * 12/2003 Prince et al. D11/26

D523,769 S * 6/2006 Arlanda D11/26
D552,003 S * 10/2007 Lecut D11/3
D565,991 S * 4/2008 Mouclier D11/26
D578,427 S * 10/2008 So D11/26
D578,428 S * 10/2008 So D11/26

* cited by examiner

Primary Examiner—Cathron C Brooks

Assistant Examiner—Melanie Levy

(74) *Attorney, Agent, or Firm*—Foley & Lardner LLP

(57) **CLAIM**

The ornamental design for a ring, as shown and described.

DESCRIPTION

FIG. 1 is a top front perspective view of a ring according to my new design;

FIG. 2 is a front side view of the ring shown in FIG. 1;

FIG. 3 is a back side view of the ring shown in FIG. 1;

FIG. 4 is a right side view of the ring shown in FIG. 1;

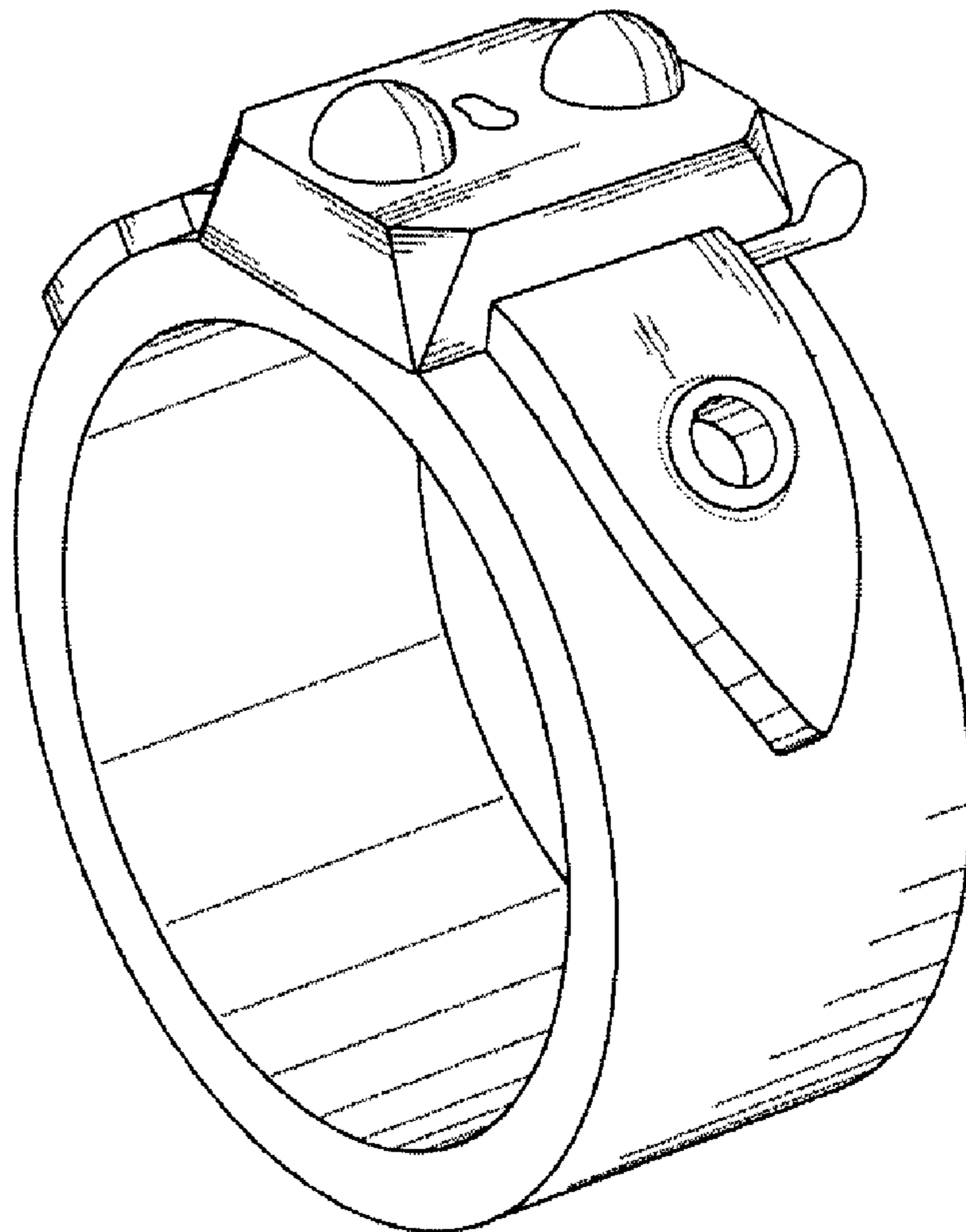
FIG. 5 is a left side view of the ring shown in FIG. 1;

FIG. 6 is a top side view of the ring shown in FIG. 1; and,

FIG. 7 is a bottom side view of the ring shown in FIG. 1.

The ornamental design which is claimed is shown in solid lines in the drawings.

1 Claim, 4 Drawing Sheets



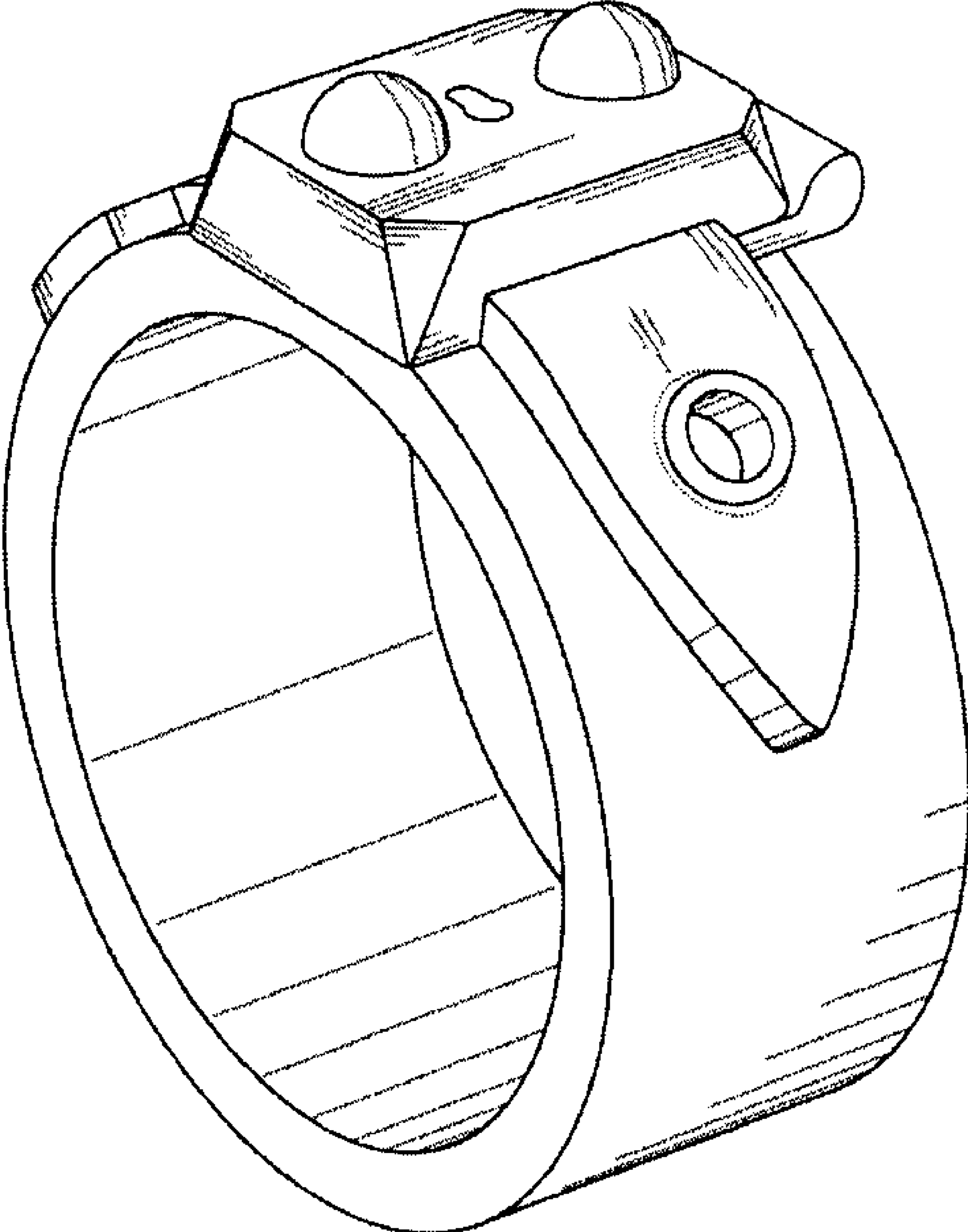


FIG. 1

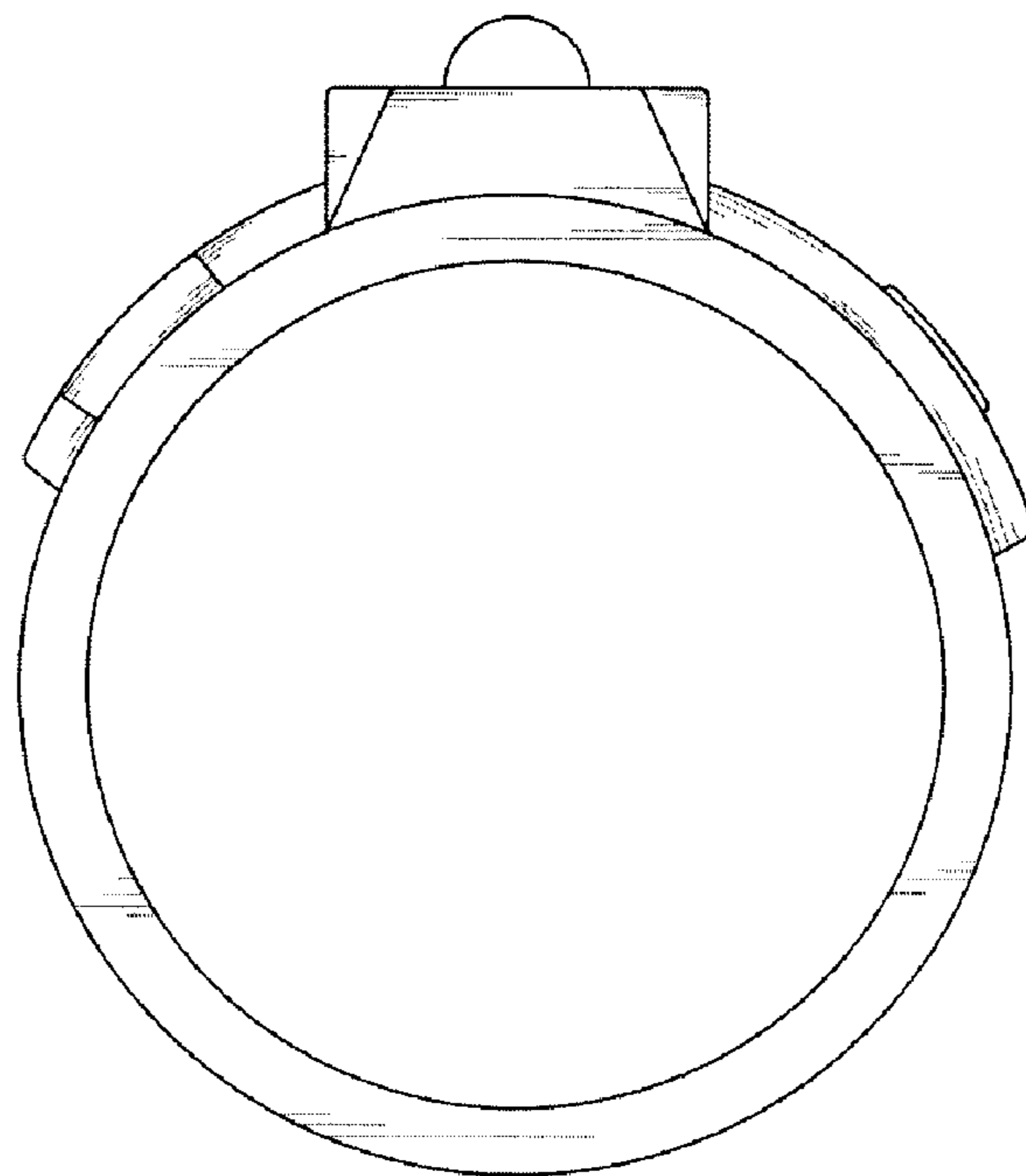


FIG. 2

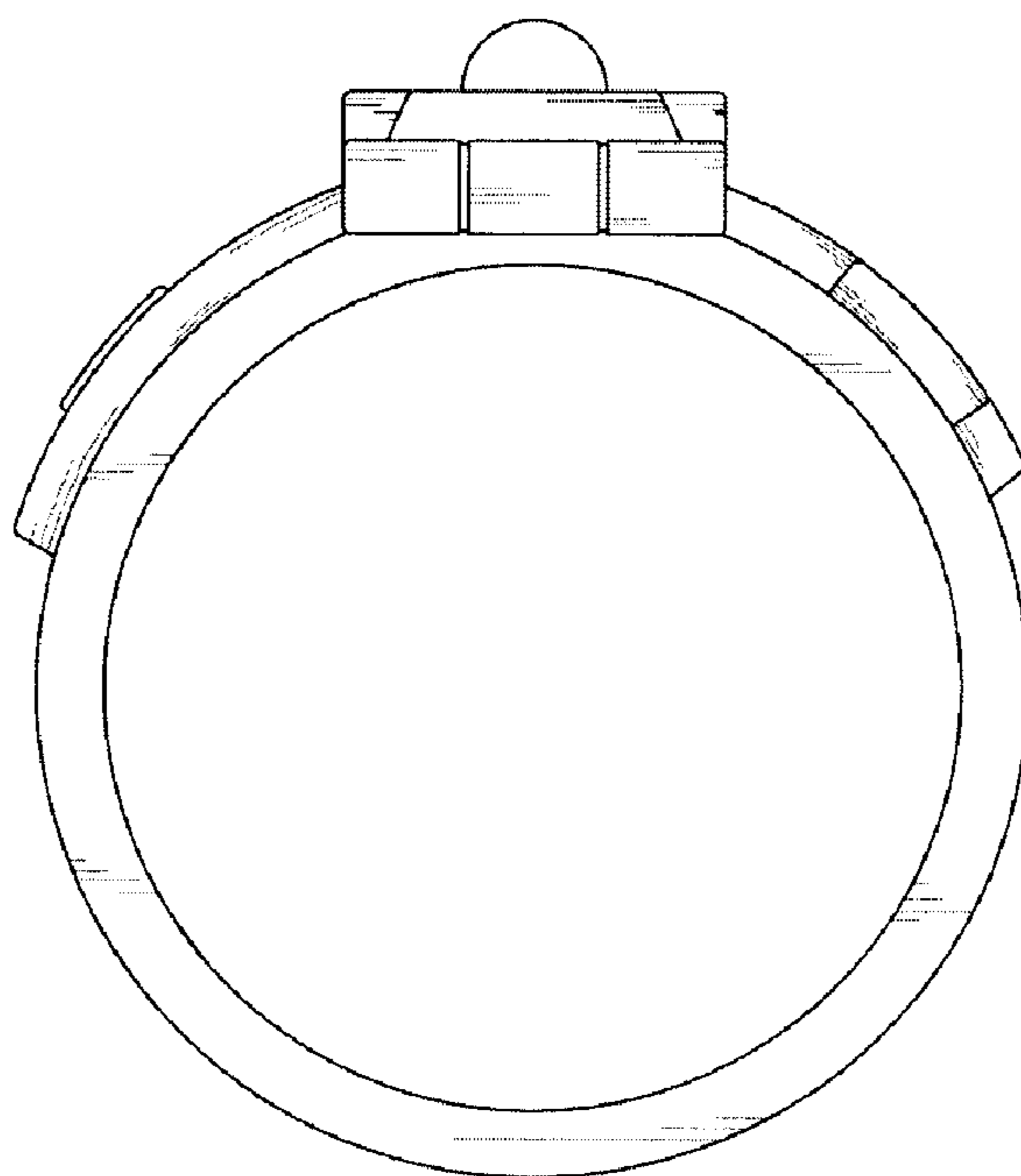


FIG. 3

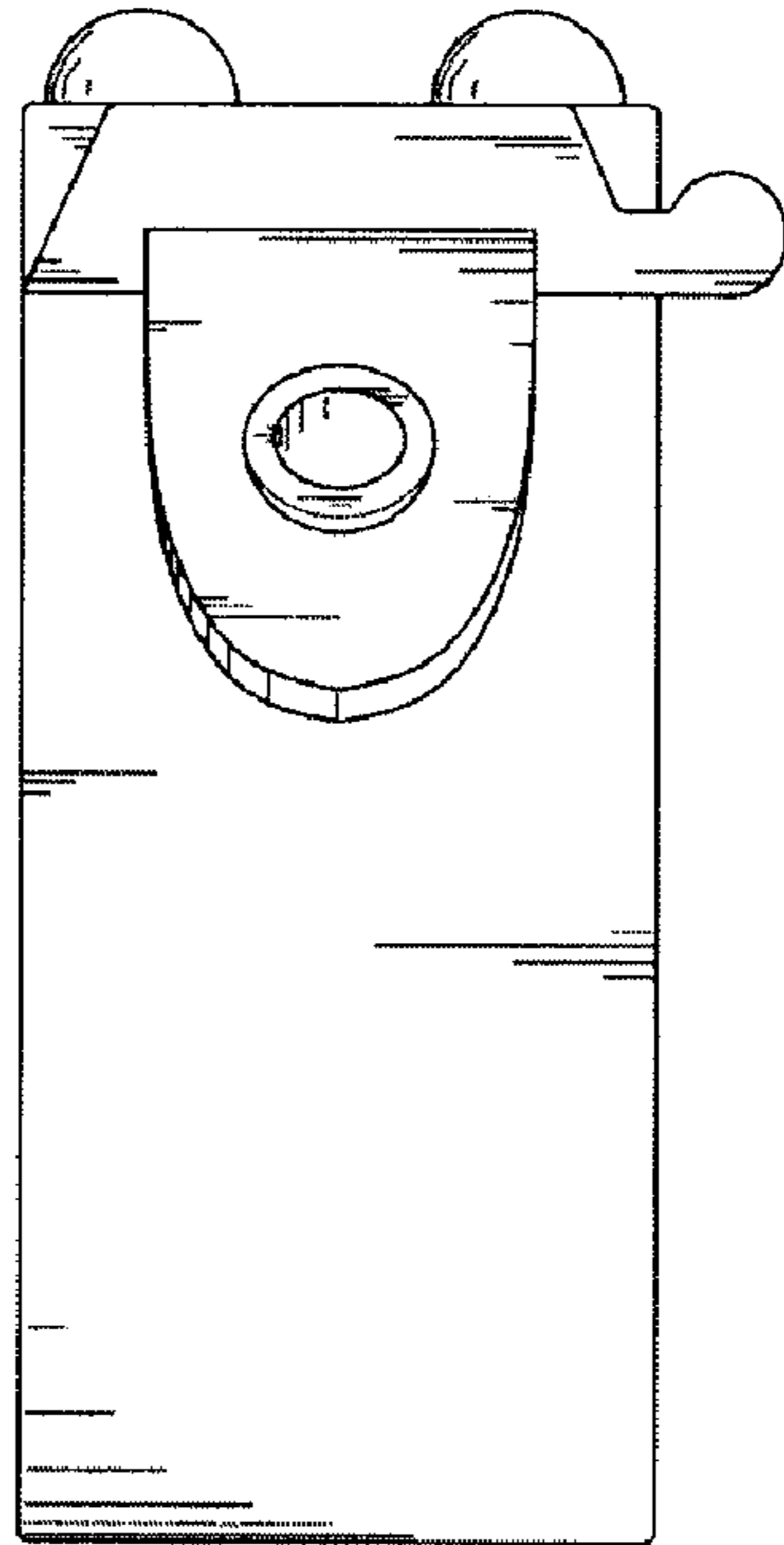


FIG. 4

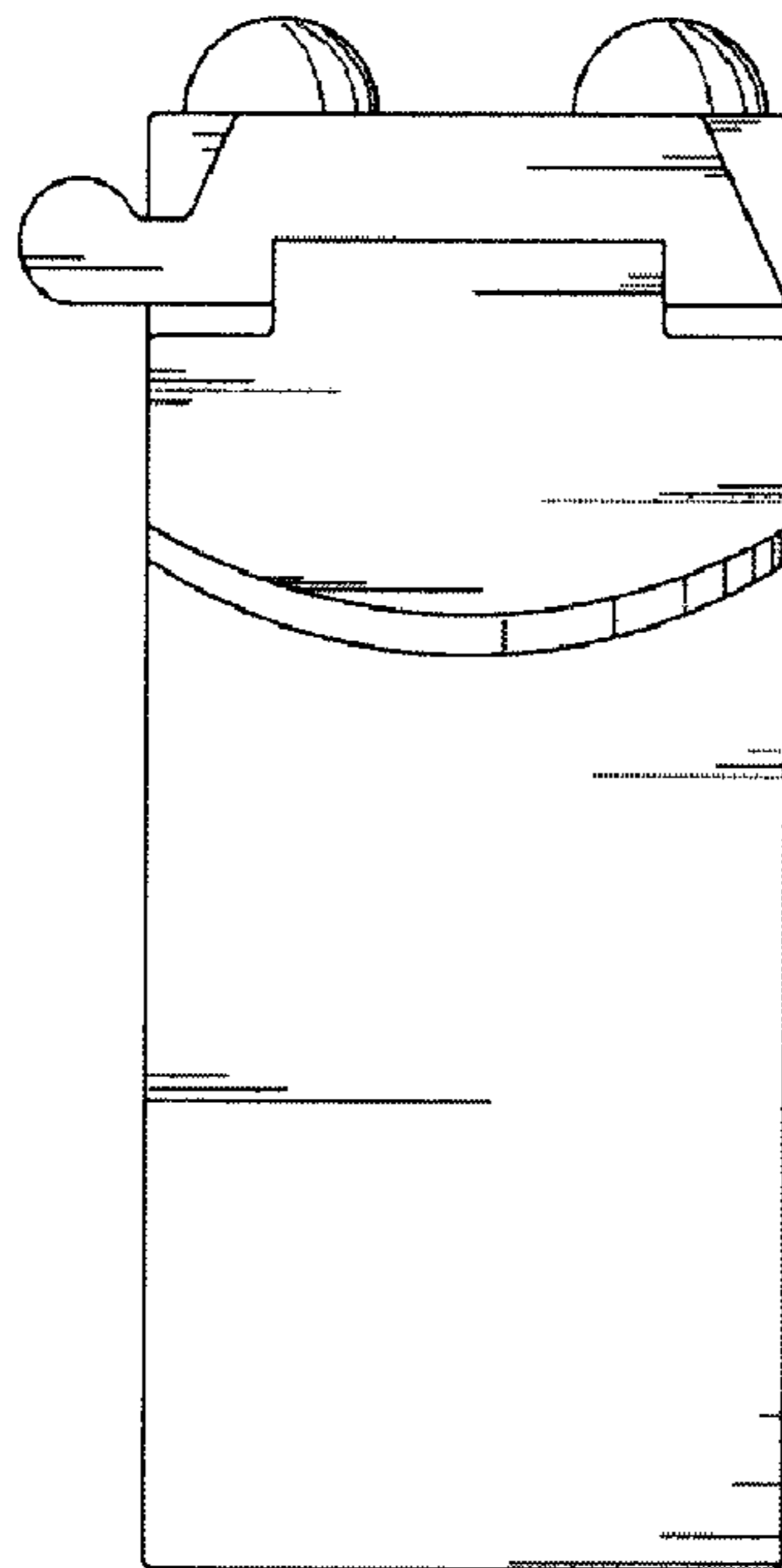


FIG. 5

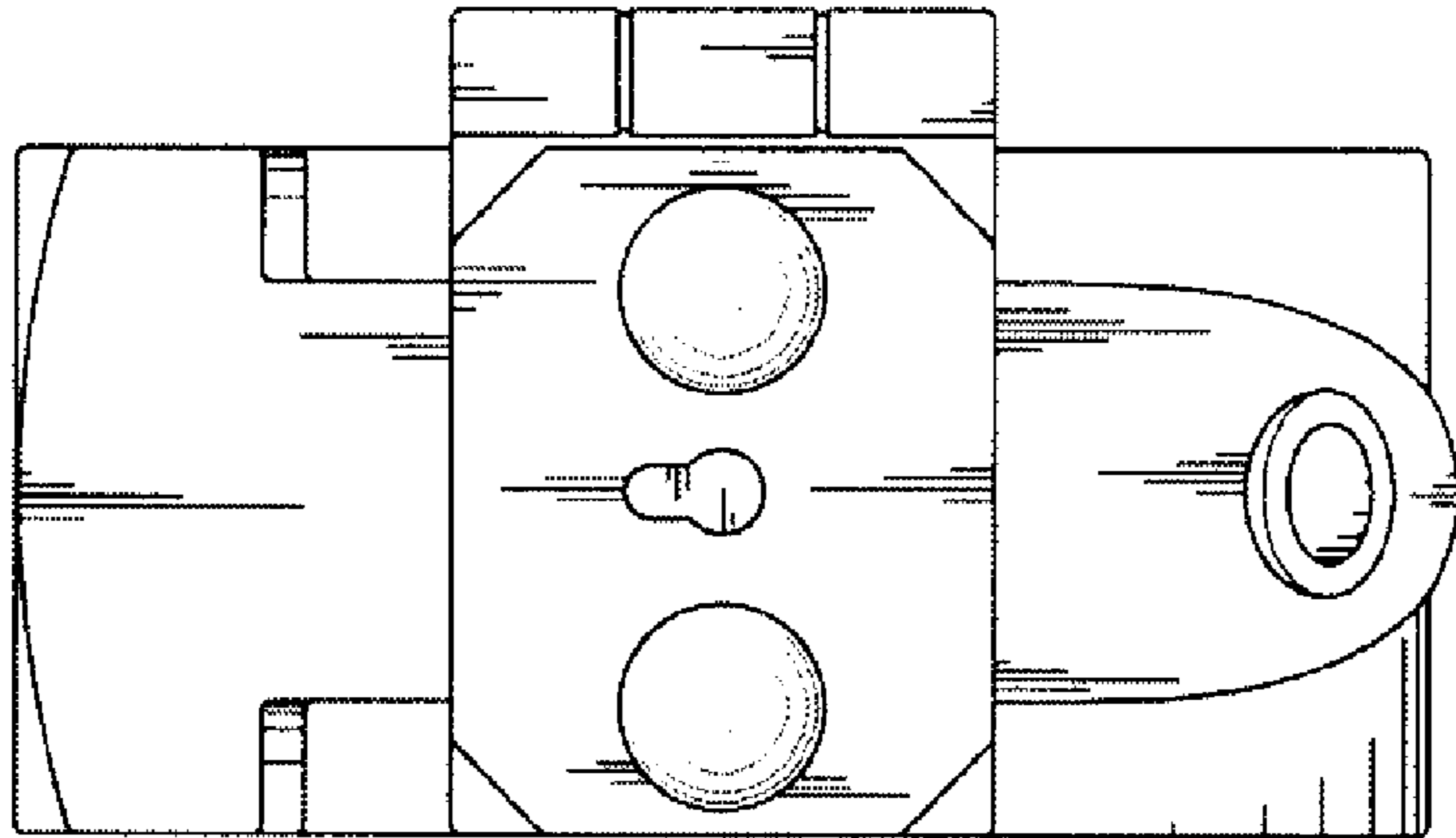


FIG. 6

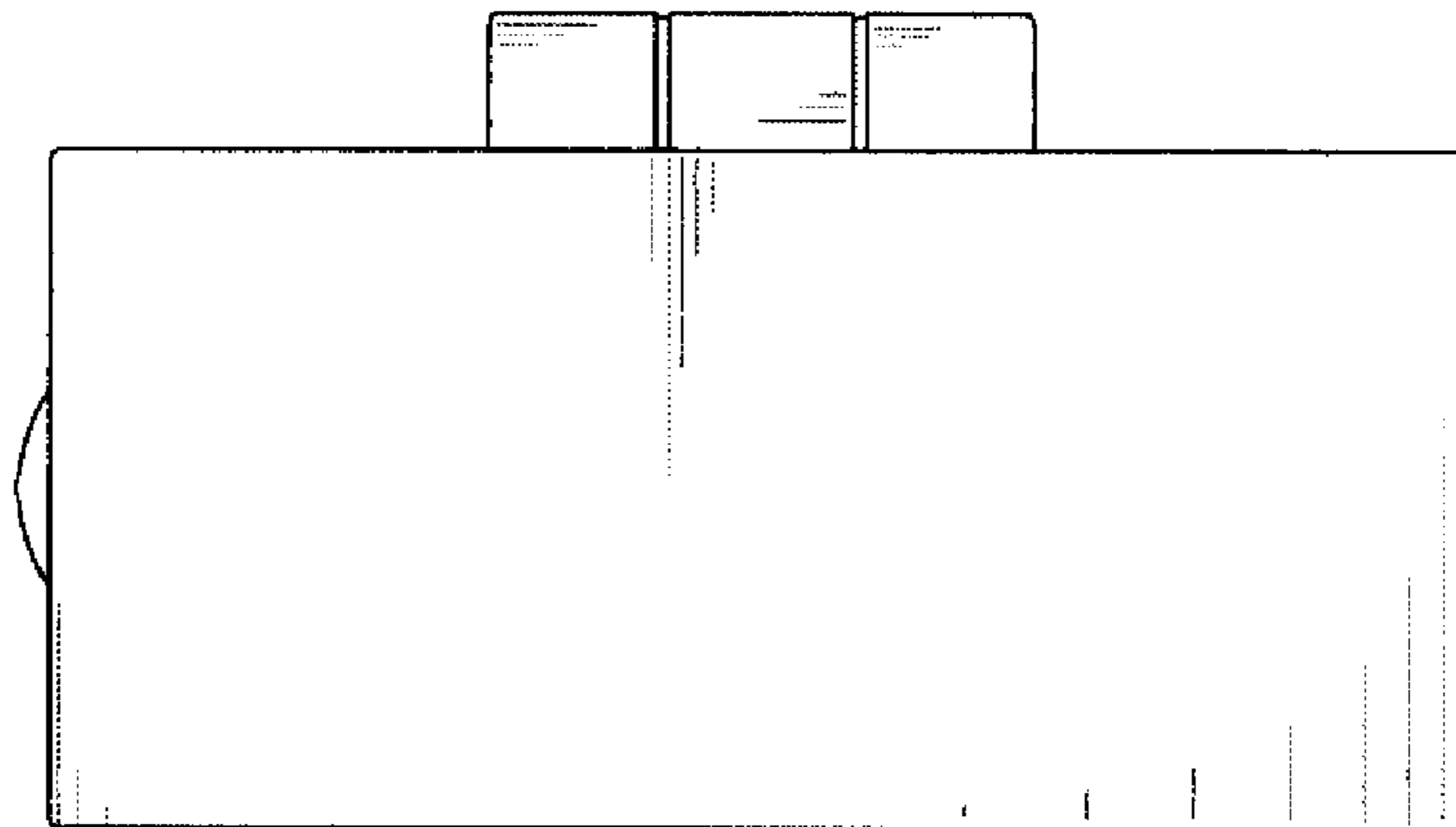


FIG. 7