



US00D615442S

(12) **United States Design Patent**
Yu

(10) **Patent No.:** **US D615,442 S**
(45) **Date of Patent:** **** May 11, 2010**

(54) **EMERGENCY LIGHT**

(75) Inventor: **Robert Yu**, Brookfield, CT (US)

(73) Assignee: **Astralite, Inc.**, Brookfield, CT (US)

(**) Term: **14 Years**

(21) Appl. No.: **29/315,427**

(22) Filed: **Jun. 24, 2009**

Related U.S. Application Data

(62) Division of application No. 29/312,395, filed on Oct. 17, 2008, now Pat. No. Des. 597,434.

(51) **LOC (9) Cl.** **10-05**

(52) **U.S. Cl.** **D10/114**

(58) **Field of Classification Search** D10/109,
D10/111, 114, 104; D26/29–31, 70, 71,
D26/72, 85, 73; D11/137; D21/650; 362/544,
362/459, 466, 183, 431, 428, 294, 584; 280/87.042,
280/601, 79.11; 340/321, 584, 815.45; 52/848,
52/838; 315/159; 405/232; 335/202; 307/157
See application file for complete search history.

(56) **References Cited**

U.S. PATENT DOCUMENTS

3,402,494 A	9/1968	Gray	40/570
D238,827 S	2/1976	Shine	D20/42
D273,048 S	3/1984	Chan	D26/37
D291,253 S *	8/1987	Ortega	D26/29
D299,549 S *	1/1989	Macaluso	D26/29
4,858,082 A	8/1989	Hayward	362/542
D307,806 S	5/1990	Byar et al.	D26/37
D313,863 S *	1/1991	Macaluso	D26/29
5,018,290 A	5/1991	Kozek et al.	40/570
D320,863 S *	10/1991	Macaluso	D26/29
5,151,679 A	9/1992	Dimmick	340/326
D331,979 S *	12/1992	Liu	D26/29
D332,757 S *	1/1993	Thomas et al.	D10/114
D357,757 S	4/1995	Bamber et al.	D26/37
D362,735 S	9/1995	Hiromori	D26/37
5,461,550 A	10/1995	Johnstone	362/147
D374,835 S *	10/1996	Wachter	D10/114

5,599,089 A	2/1997	Sheu et al.	362/198
D379,373 S	5/1997	Logan et al.	D20/10
D391,992 S	3/1998	Vosika et al.	D20/10
5,797,673 A	8/1998	Logan et al.	362/234
D404,152 S	1/1999	Lynch et al.	D26/37
D409,318 S	5/1999	Hopkins et al.	D26/31
5,914,665 A	6/1999	Thorp et al.	340/691.1
5,969,627 A	10/1999	Tarlton et al.	340/693.12
D416,049 S	11/1999	Hooley	D20/10
D426,334 S	6/2000	Wegrzyn et al.	D26/63
6,105,291 A	8/2000	Gabrieus et al.	40/572
6,142,648 A	11/2000	Logan et al.	362/234
D439,352 S	3/2001	Lai	D26/37
D446,818 S	8/2001	Kim	D20/10
6,280,042 B1	8/2001	Wegrzyn et al.	362/20
D467,372 S *	12/2002	Lee	D26/35
D469,911 S	2/2003	Lee	D26/85
D470,959 S	2/2003	Lai	D26/37

(Continued)

Primary Examiner—Caron Veynar
Assistant Examiner—George D Kirschbaum
(74) *Attorney, Agent, or Firm*—Fattibene and Fattibene; Paul A. Fattibene

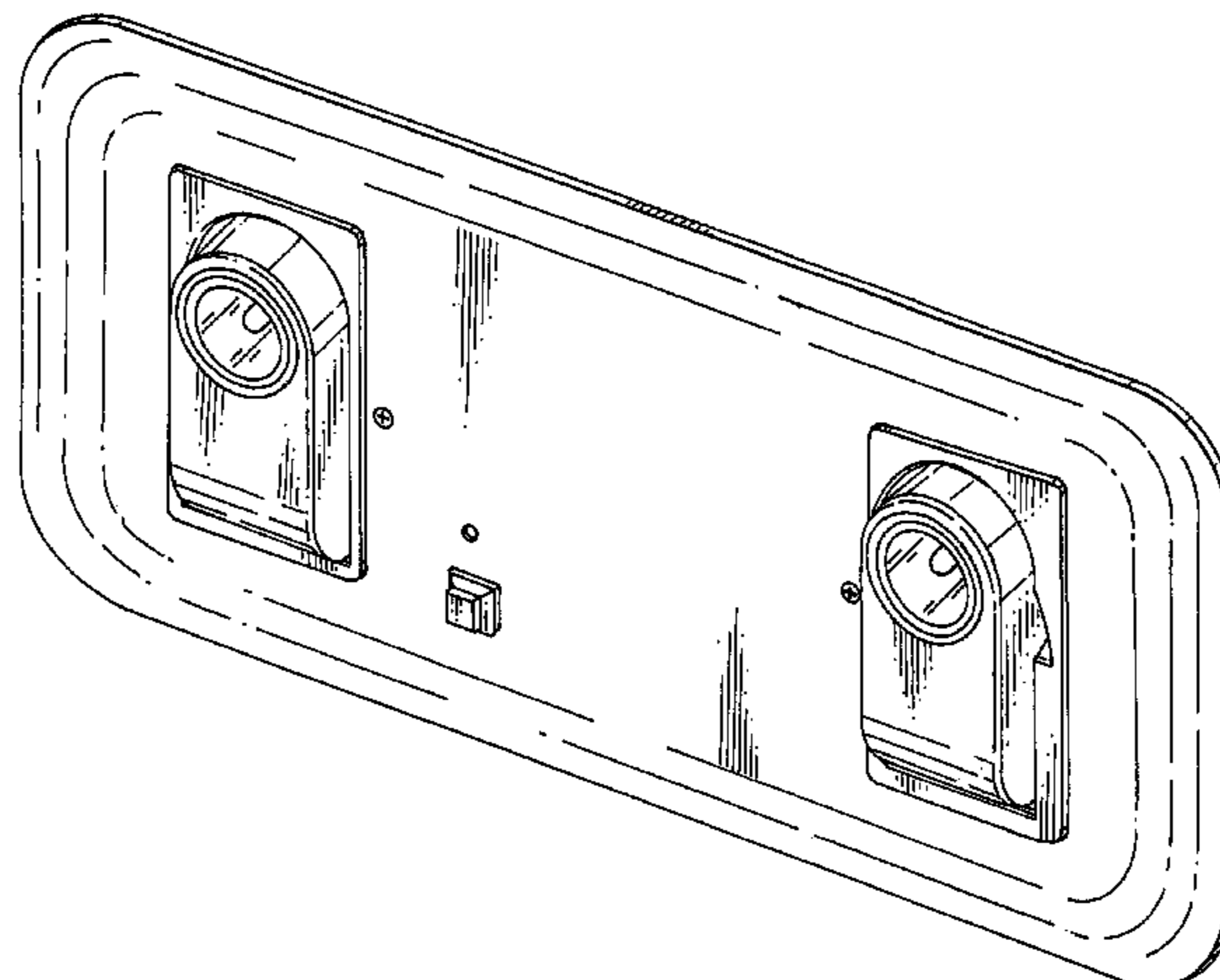
(57) **CLAIM**

The ornamental design for an emergency light, as shown and described.

DESCRIPTION

FIG. 1 is a perspective view of an emergency light showing the new design.
FIG. 2 is a front elevation view thereof.
FIG. 3 is a rear elevation view thereof
FIG. 4 is a top plan view thereof.
FIG. 5 is a bottom view thereof; and,
FIG. 6 is left end view, with the right end view being a mirror image thereof.

1 Claim, 5 Drawing Sheets



US D615,442 S

Page 2

U.S. PATENT DOCUMENTS

6,606,808 B2	8/2003	Katz	40/570	D507,373 S *	7/2005	Kim, II	D26/80
D495,750 S	9/2004	Lee	D20/42	6,969,181 B1	11/2005	Bailey et al.	362/364
6,824,295 B1	11/2004	Grondal	362/234	7,114,840 B2	10/2006	Hamrick	362/613
D500,814 S	1/2005	Lee	D20/42	D561,264 S	2/2008	Yu	D20/42
6,838,997 B1	1/2005	Davidson	340/693.9	D579,370 S *	10/2008	Lyons et al.	D10/114
D504,705 S	5/2005	Gregory et al.	D20/42	2001/0045035 A1	11/2001	Katz	40/570
				2006/0072304 A1	4/2006	Lay et al.	362/157

* cited by examiner

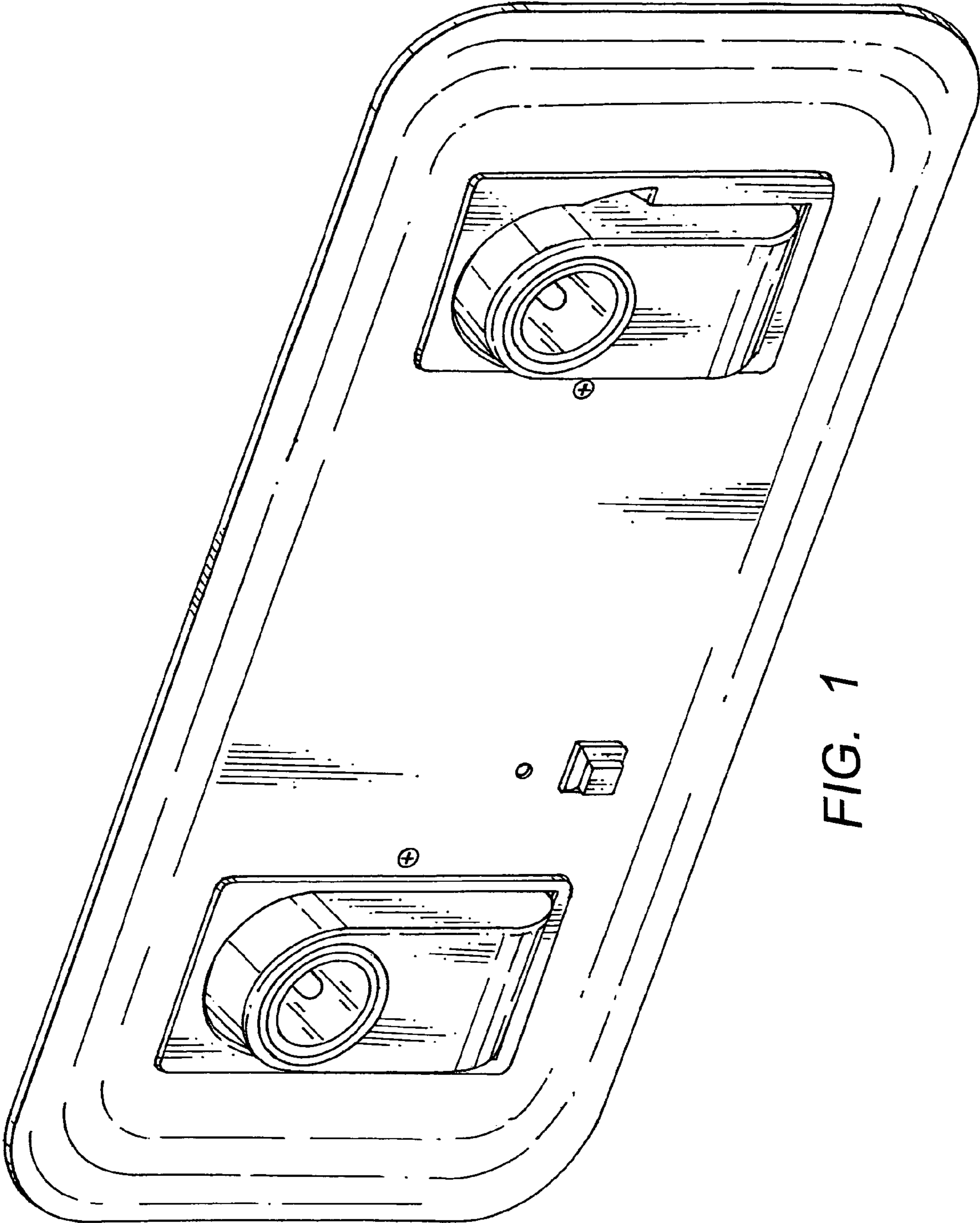


FIG. 1

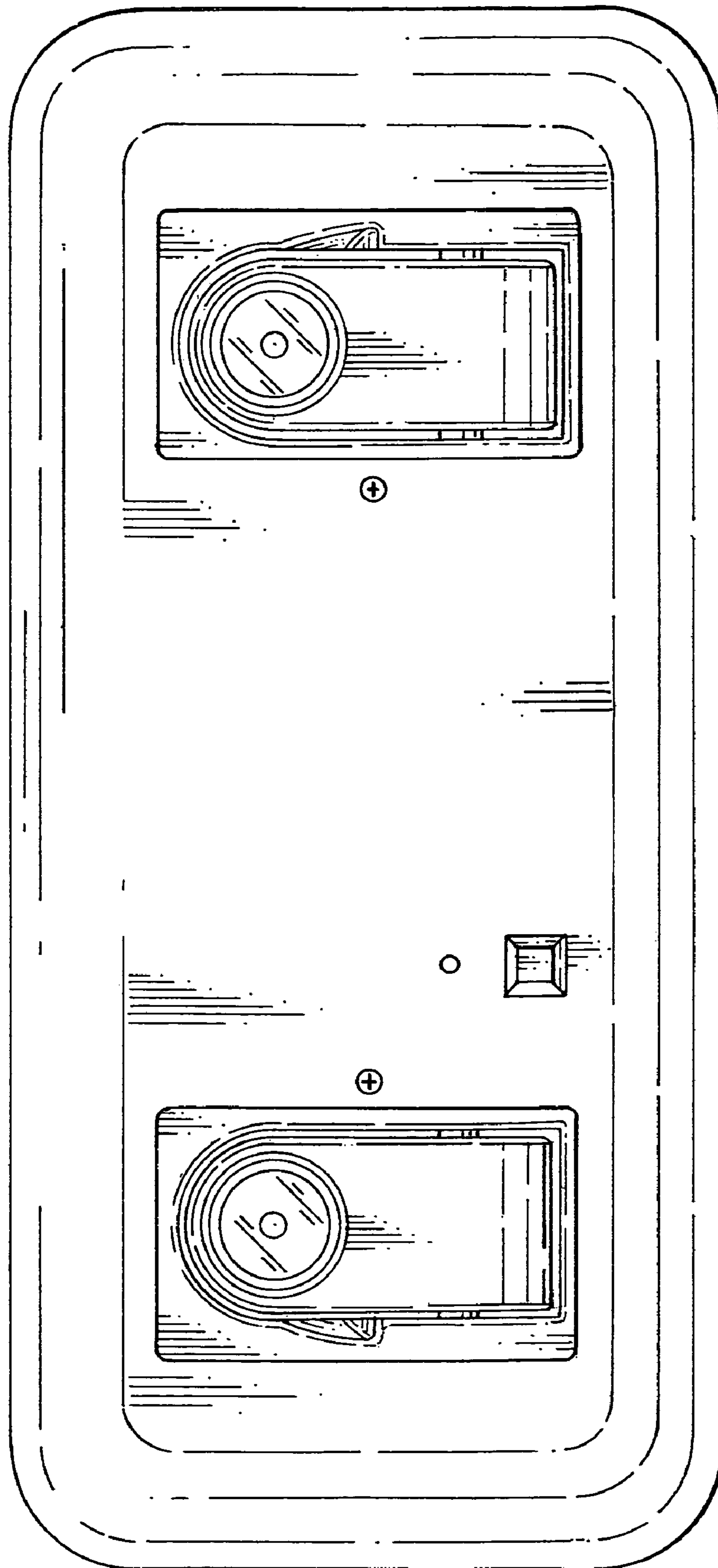


FIG. 2

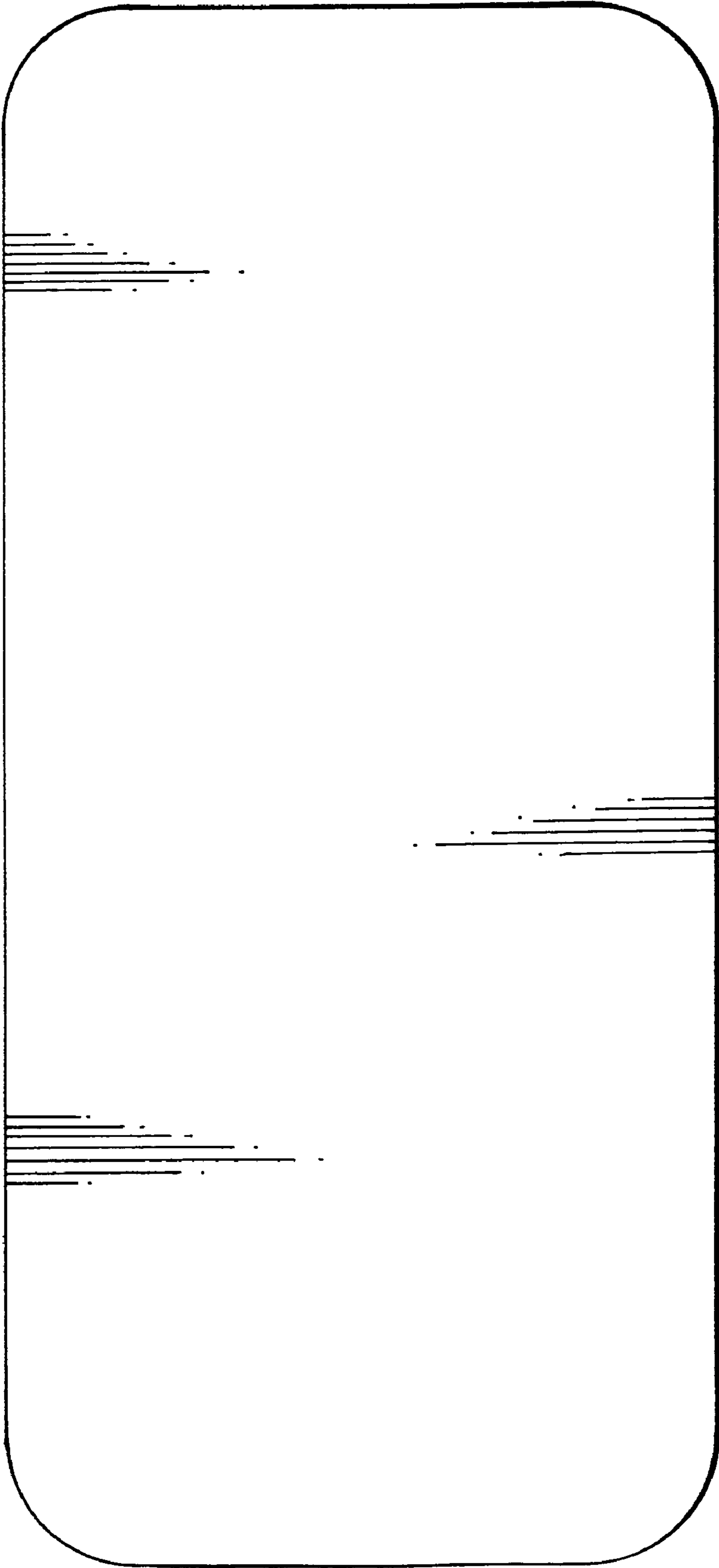


FIG. 3

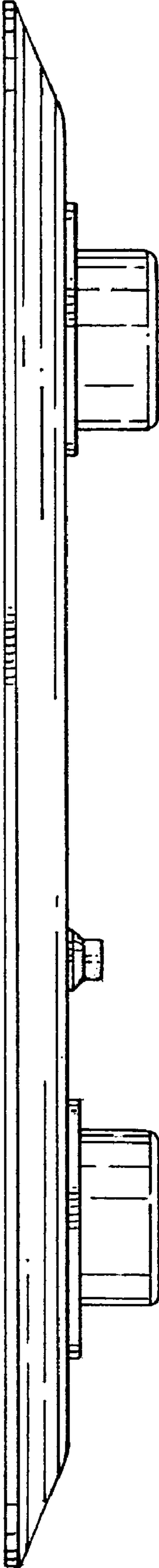


FIG. 4

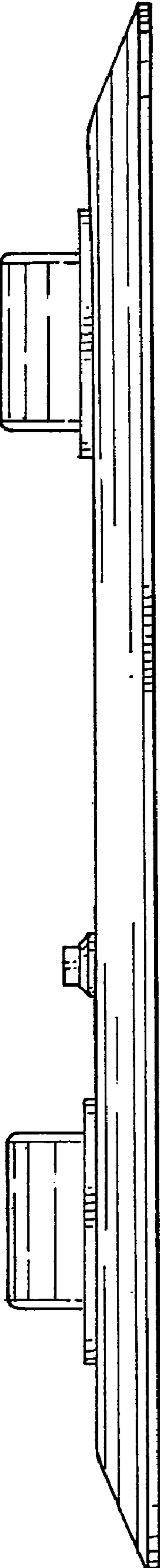


FIG. 5

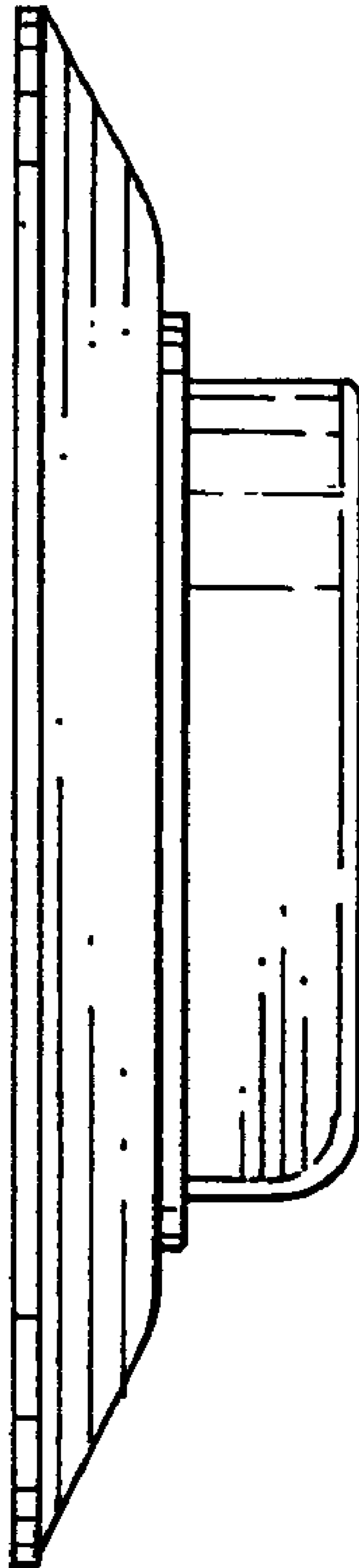


FIG. 6