



US00D615437S

(12) **United States Design Patent**
Li et al.

(10) **Patent No.:** **US D615,437 S**
(45) **Date of Patent:** **** May 11, 2010**

(54) **WEIGHT SCALE ASSEMBLY WITH SIDE RAILS**

2008/0223625 A1* 9/2008 Lawler et al. 177/25.13

(75) Inventors: **Weilong Li**, Schaumburg, IL (US);
Jiwen Lu, Schaumburg, IL (US);
Ricardo Murguia, Schaumburg, IL (US);
James Montagnino, St. Charles, IL (US);
Charles Choi, Chicago, IL (US);
Mark Pavel, Chicago, IL (US);
Nathan J. Luman, Chicago, IL (US)

* cited by examiner

Primary Examiner—Antoine D Davis
(74) *Attorney, Agent, or Firm*—Dillis V. Allen, Esq.

(57) **CLAIM**

The ornamental design for a weight scale assembly with side rails, as shown and described.

(73) Assignee: **NCI Technology, Inc.**, Schaumburg, IL (US)

DESCRIPTION

(**) Term: **14 Years**

FIG. 1 is a front view of the present weight scale assembly with side rails design;

(21) Appl. No.: **29/311,902**

FIG. 2 is a rear view of the present weight scale assembly with side rails design;

(22) Filed: **Jul. 27, 2009**

FIG. 3 is a left side view of the present weight scale assembly with side rails design;

(51) **LOC (9) Cl.** **10-04**

FIG. 4 is a right side view of the present weight scale assembly with side rails design;

(52) **U.S. Cl.** **D10/93**

(58) **Field of Classification Search** D10/88-94;
177/210 R, 210 C, 210 GM, 210 PP, 236,
177/245, DIG. 3, 25.12-25.18, 177, 126,
177/1, 181, 25, 30, 127, 131, 148, 225, 21 EM,
177/21 FP, 212-214, 211, 47, 25.13, 25.16;
600/506, 547

FIG. 5 is a top view of the present weight scale assembly with side rails design;

FIG. 6 is a bottom view of the present weight scale assembly with side rails design, and;

See application file for complete search history.

FIG. 7 is a perspective view of the present weight scale assembly with side rails design; and,

FIG. 8 is an enlarged view of the display of the present weight scale assembly with side rails design.

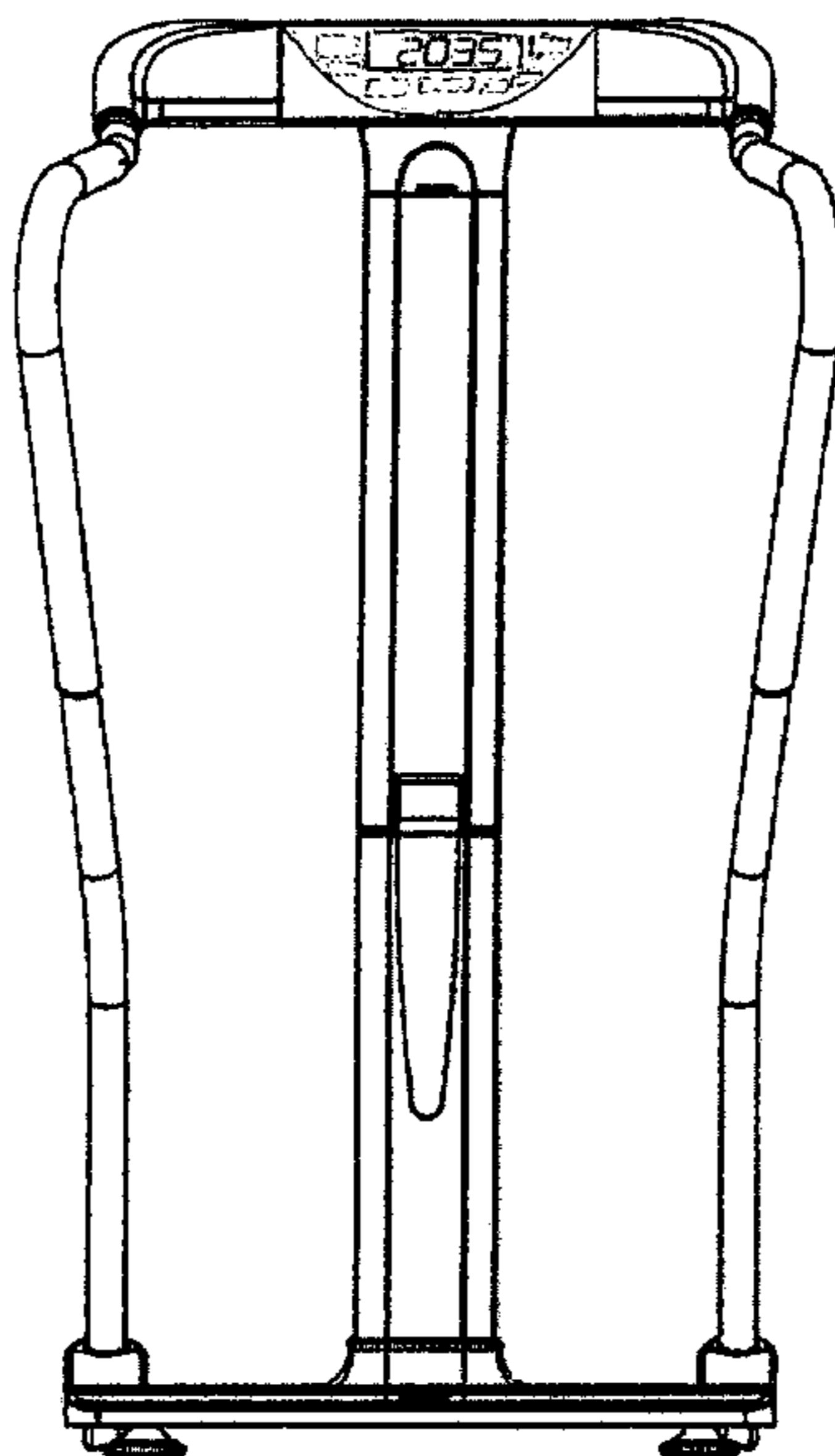
(56) **References Cited**

U.S. PATENT DOCUMENTS

6,038,465 A * 3/2000 Melton, Jr. 600/407

D523,367 S * 6/2006 Lawler et al. D10/93

1 Claim, 5 Drawing Sheets



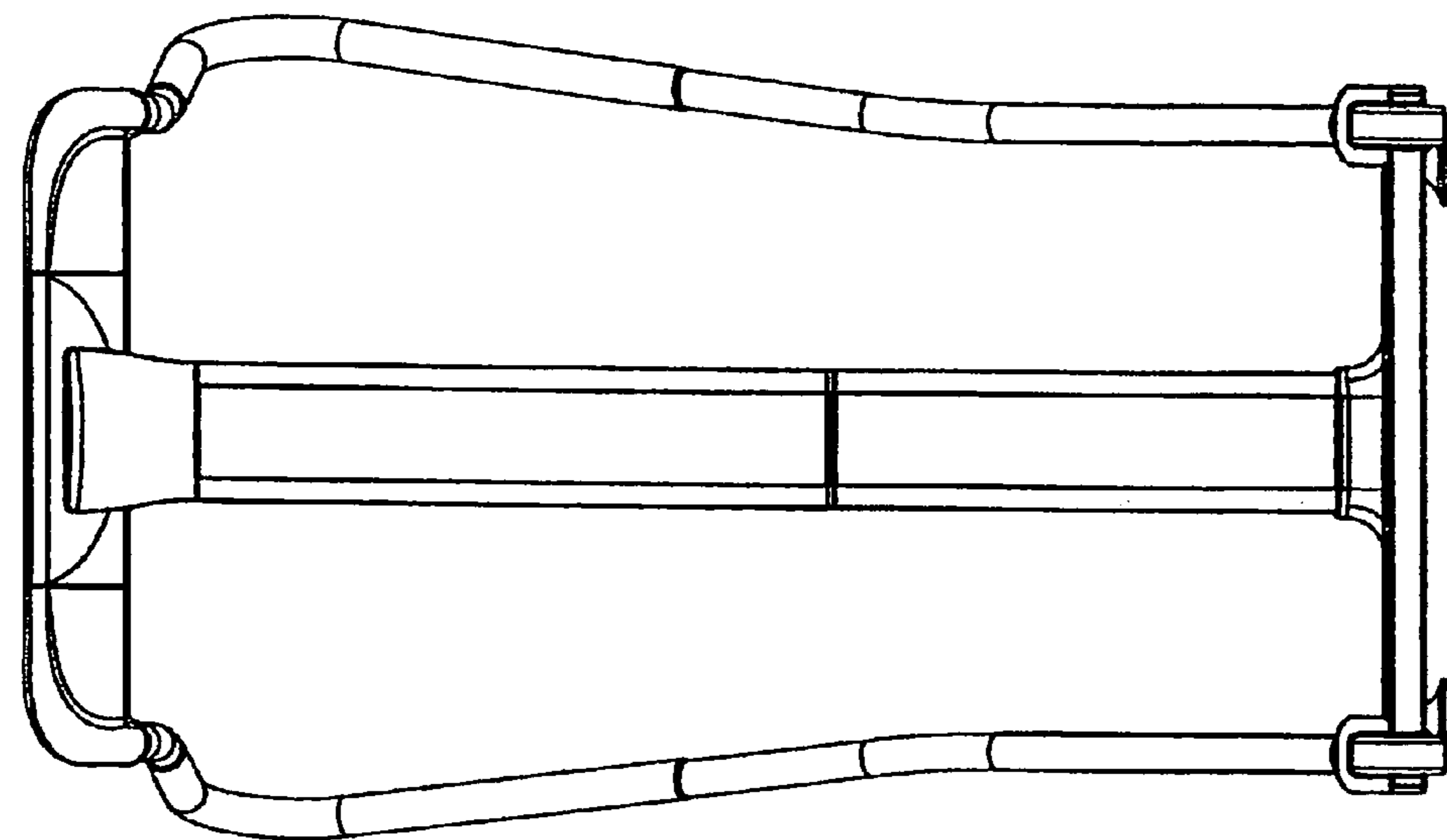


Fig.2

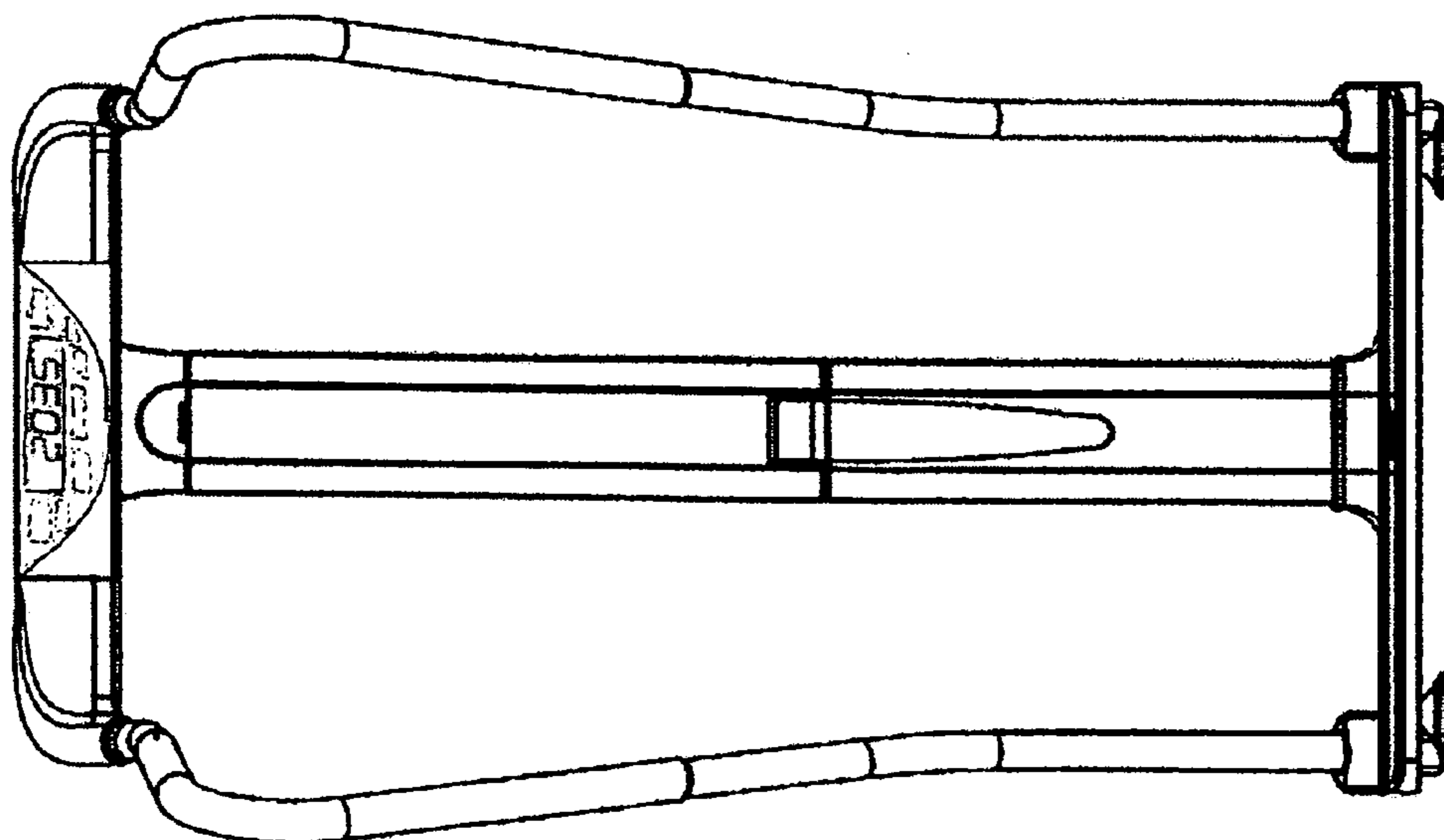


Fig.1

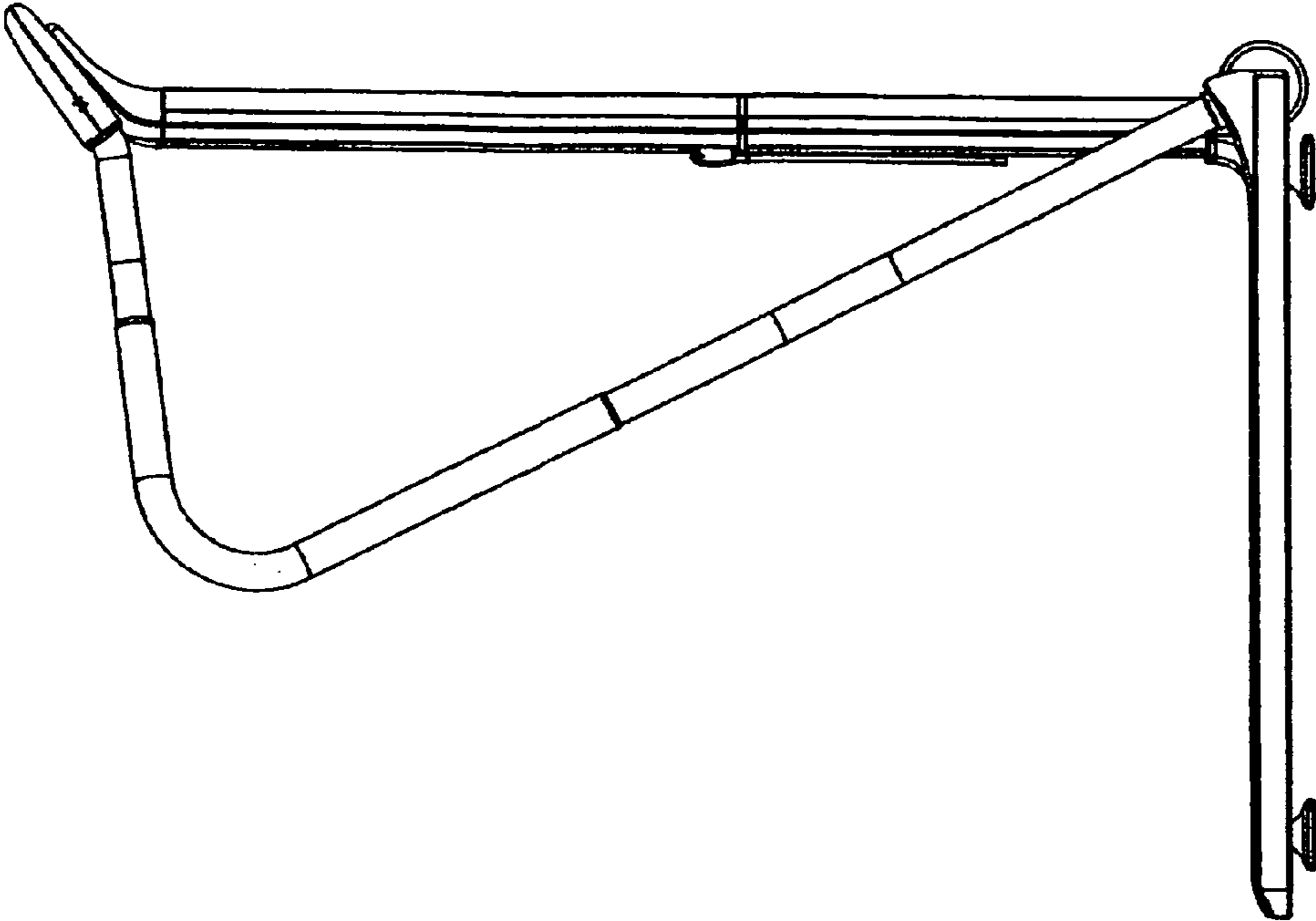


Fig.4

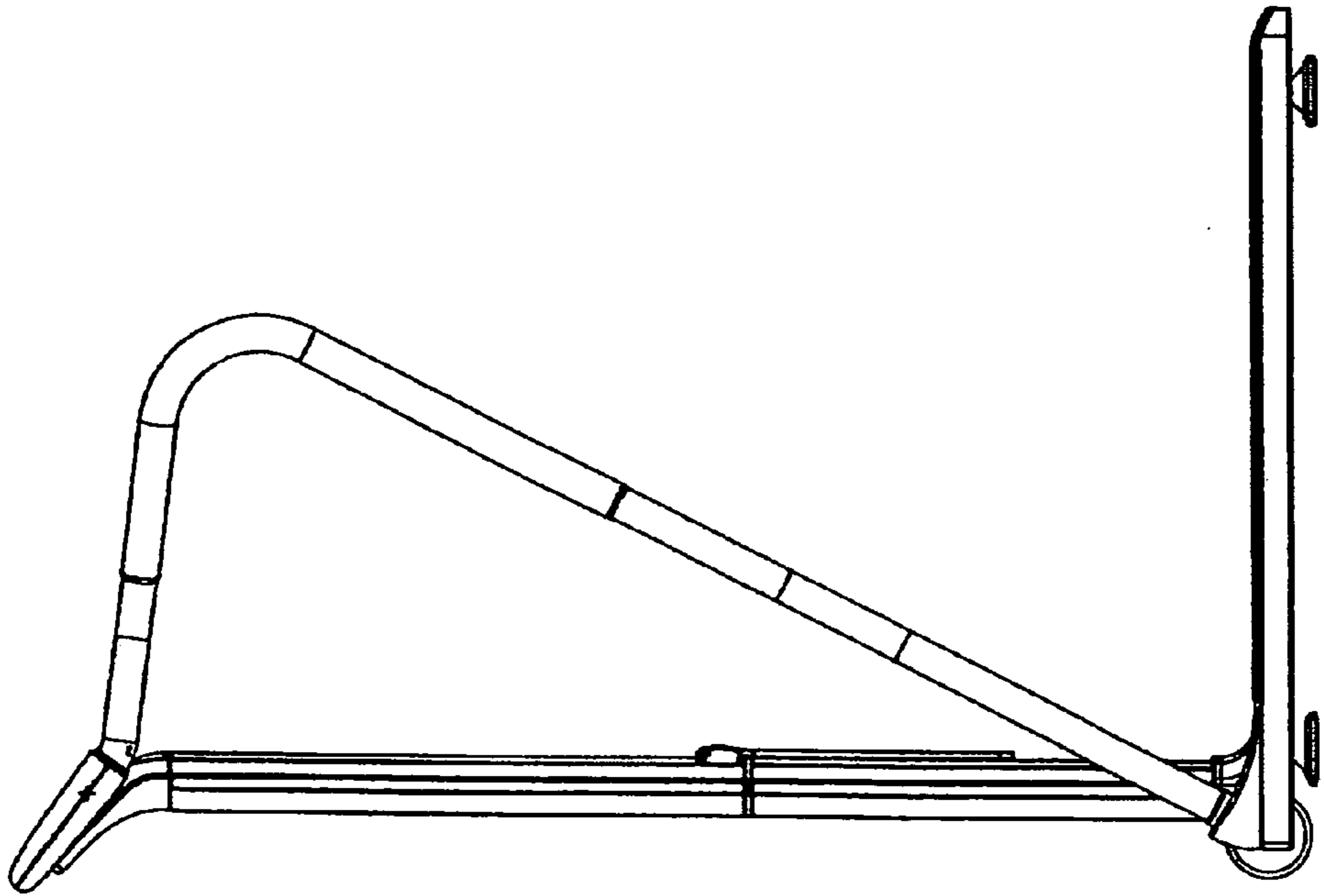


Fig.3

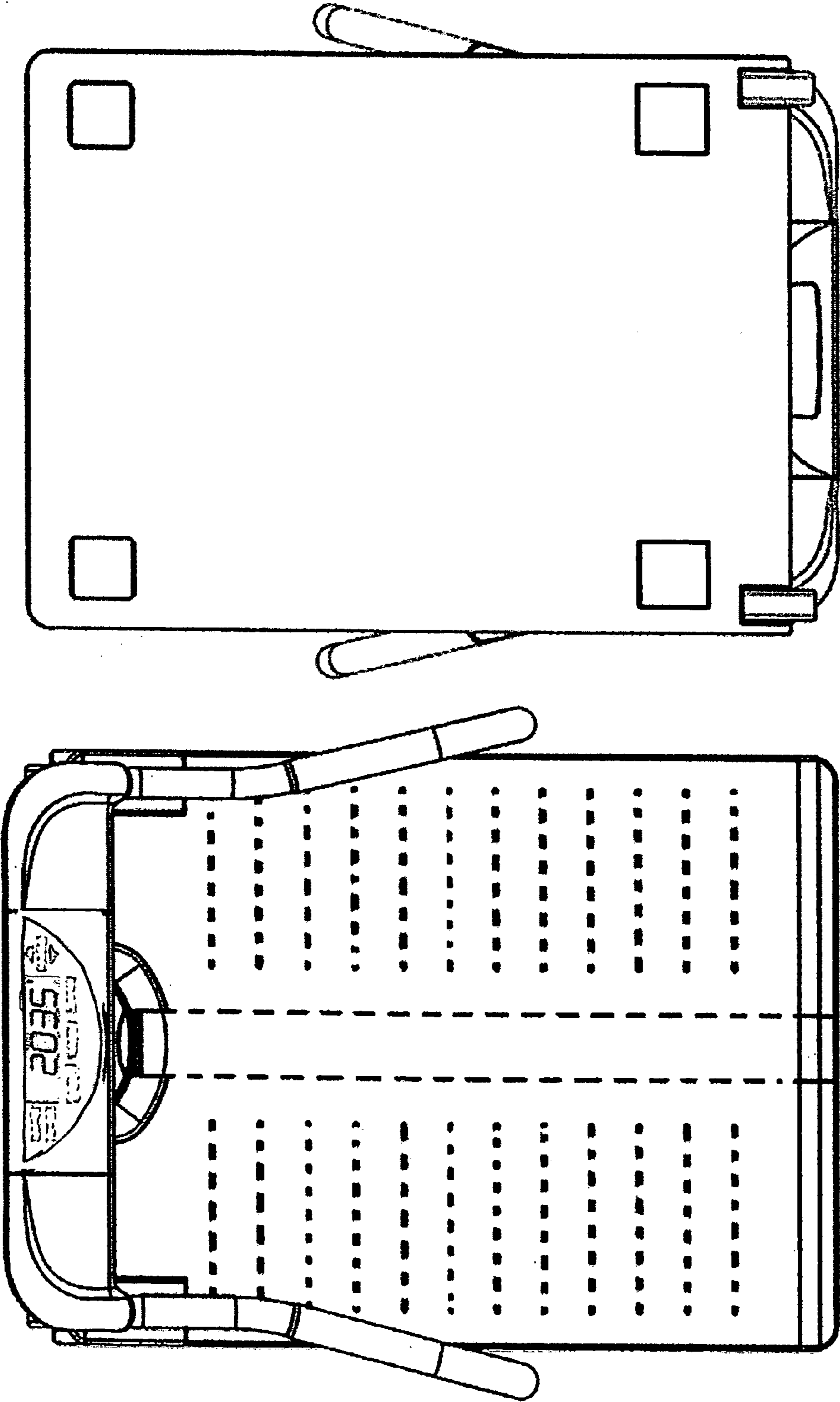


Fig.6

Fig.5

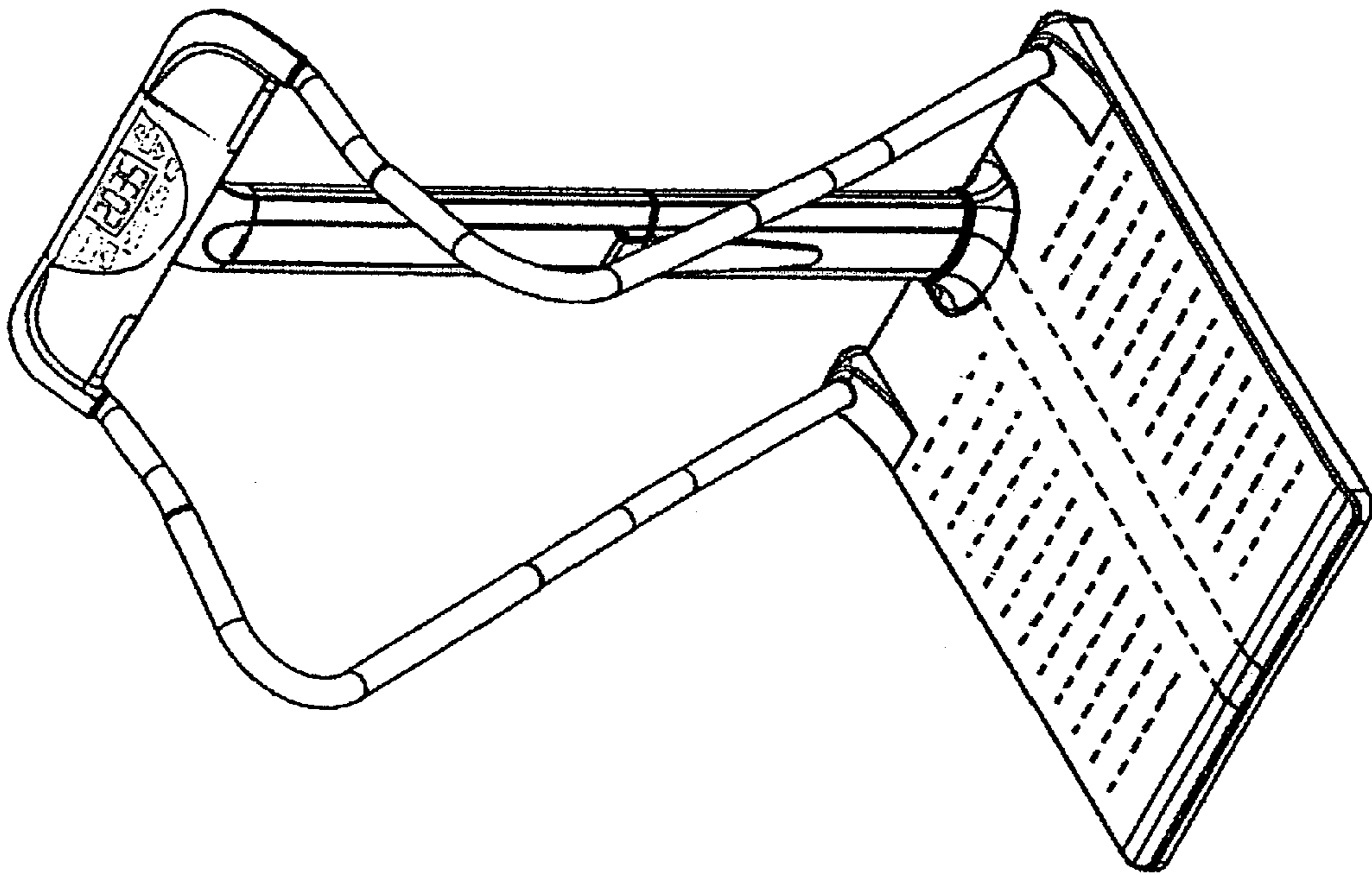


Fig. 7

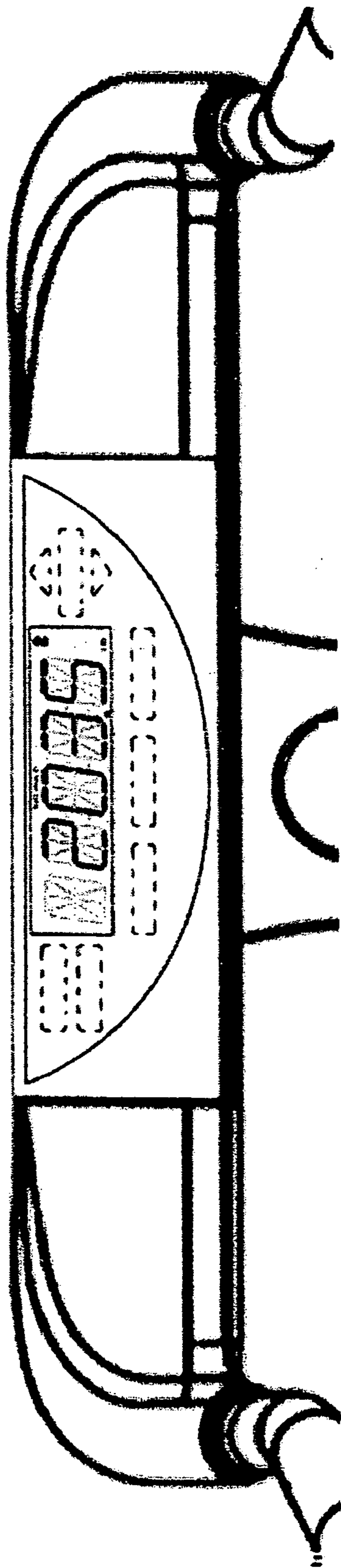


Fig.8