



US00D615436S

(12) **United States Design Patent**  
**Einfalt**

(10) **Patent No.:** **US D615,436 S**

(45) **Date of Patent:** **\*\* May 11, 2010**

(54) **SCALE**

D524,180 S \* 7/2006 Barnes et al. .... D10/91

(76) **Inventor:** **Christian Einfalt**, Stolzenthalergasse 24,  
1080 Wien, Vienna (AT)

\* cited by examiner

*Primary Examiner*—Antoine D Davis

(74) *Attorney, Agent, or Firm*—Malloy & Malloy, P.A.

(\*\*) **Term:** **14 Years**

(57) **CLAIM**

(21) **Appl. No.:** **29/316,786**

The ornamental design for a scale, as shown and described.

(22) **Filed:** **Oct. 31, 2009**

**DESCRIPTION**

(51) **LOC (9) Cl.** ..... **10-04**

FIG. 1 is a top perspective view illustrating my design for a scale;

(52) **U.S. Cl.** ..... **D10/92**

FIG. 2 is a front plan view thereof;

(58) **Field of Classification Search** ..... D10/92,

FIG. 3 is a left side view thereof;

D10/93; 177/4, 25.12–25.16, 177, 199, 210 R,

FIG. 4 is a top view thereof;

177/238–245, DIG. 3, 262, 210 C, 30, 126–127;

FIG. 5 is a right side view thereof;

324/692, 512, 515, 806; 600/506, 547

FIG. 6 is a bottom view thereof;

See application file for complete search history.

FIG. 7 is a rear view thereof; and,

(56) **References Cited**

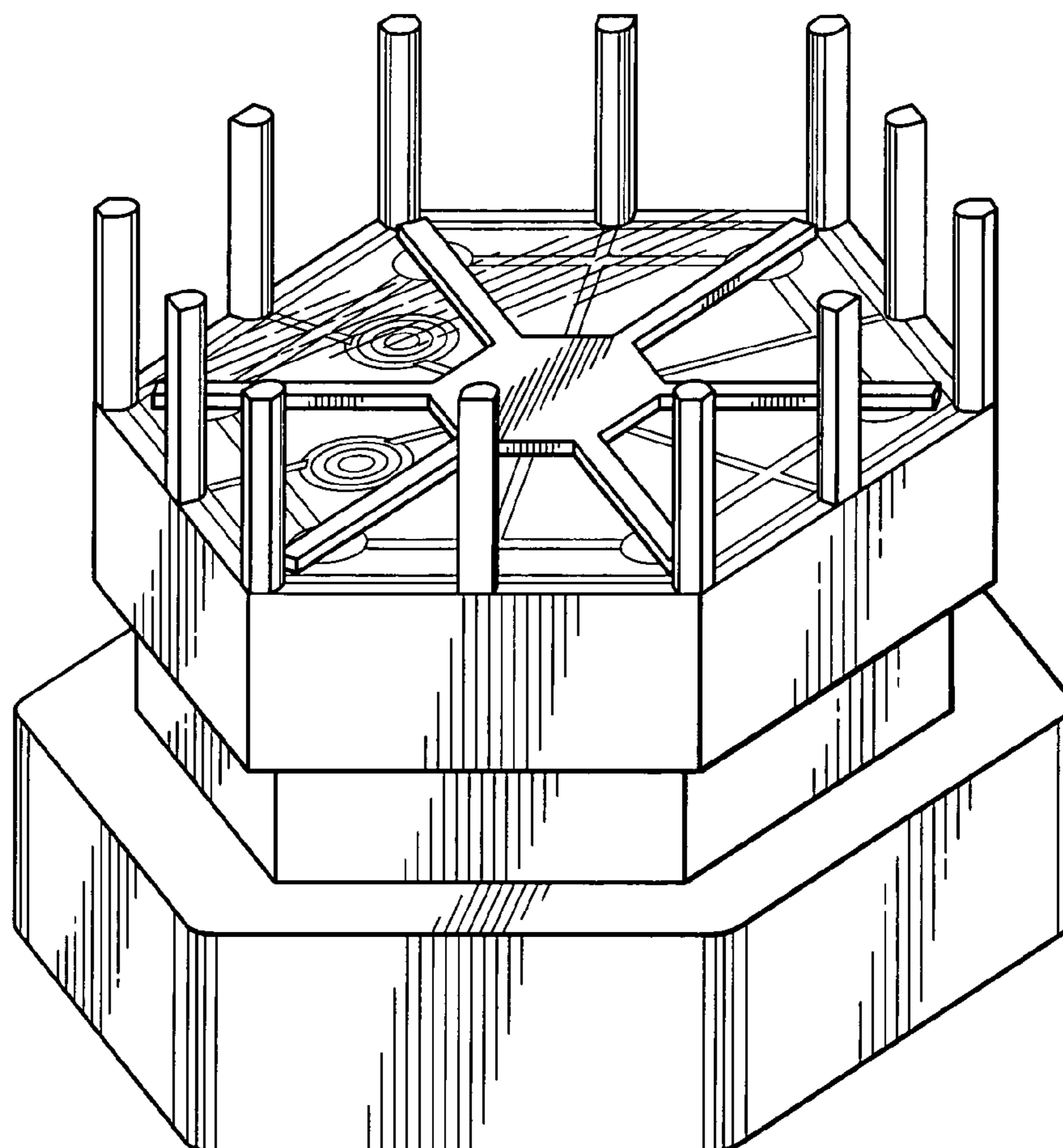
FIG. 8 is a bottom perspective view thereof.

**U.S. PATENT DOCUMENTS**

D517,437 S \* 3/2006 Barnes et al. .... D10/91

D517,935 S \* 3/2006 Barnes et al. .... D10/91

**1 Claim, 5 Drawing Sheets**



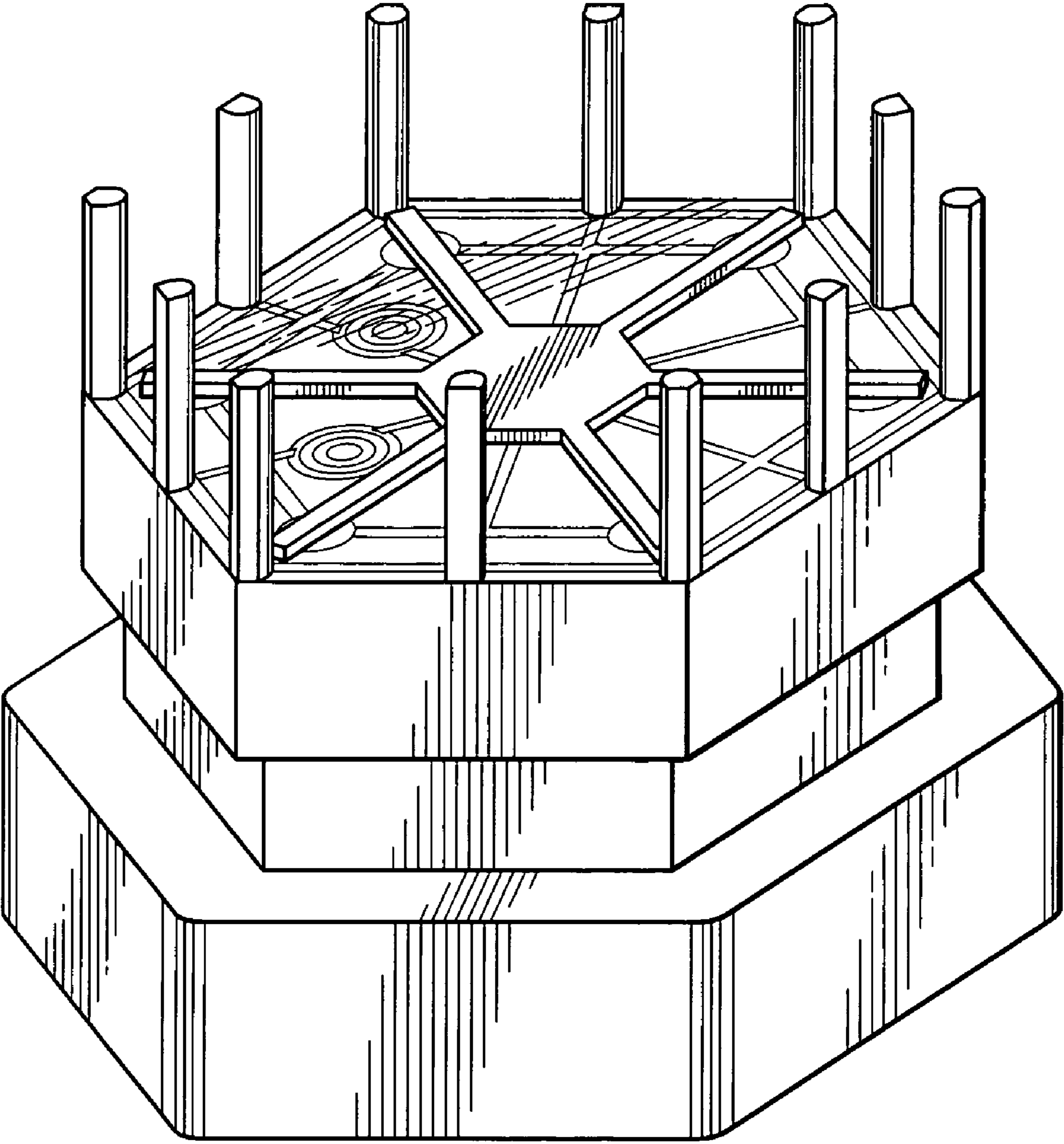


FIG. 1

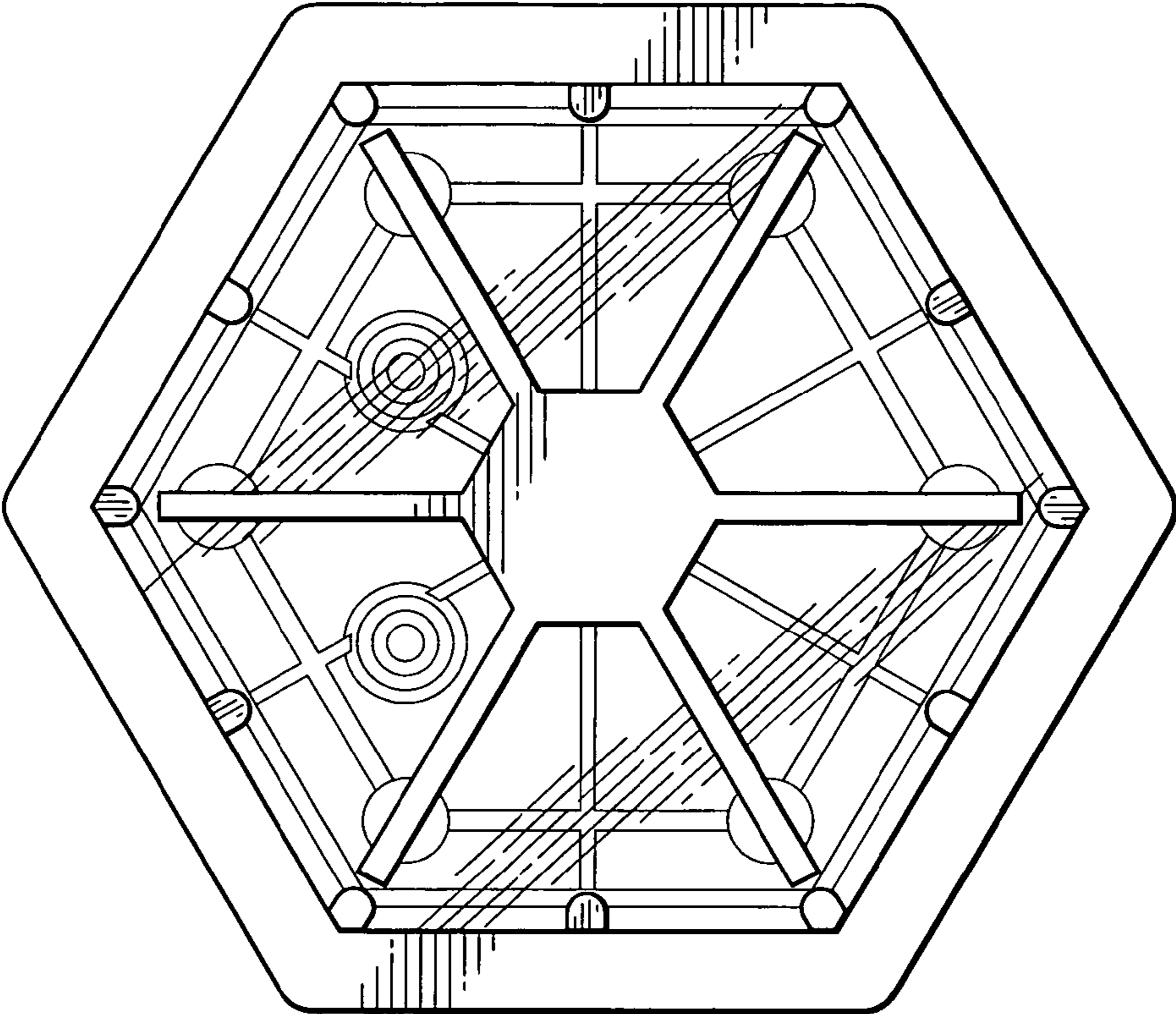


FIG. 4

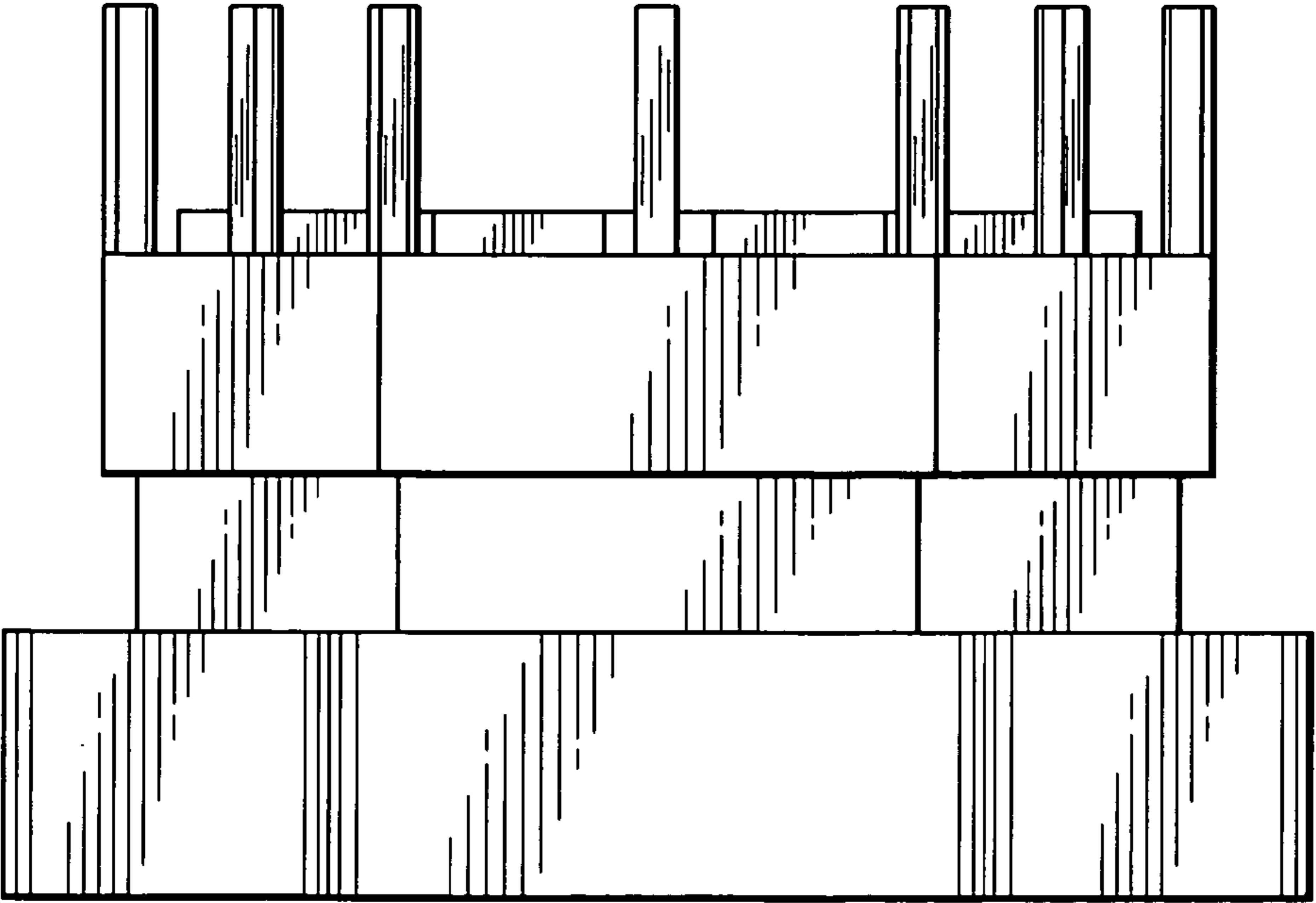


FIG. 2

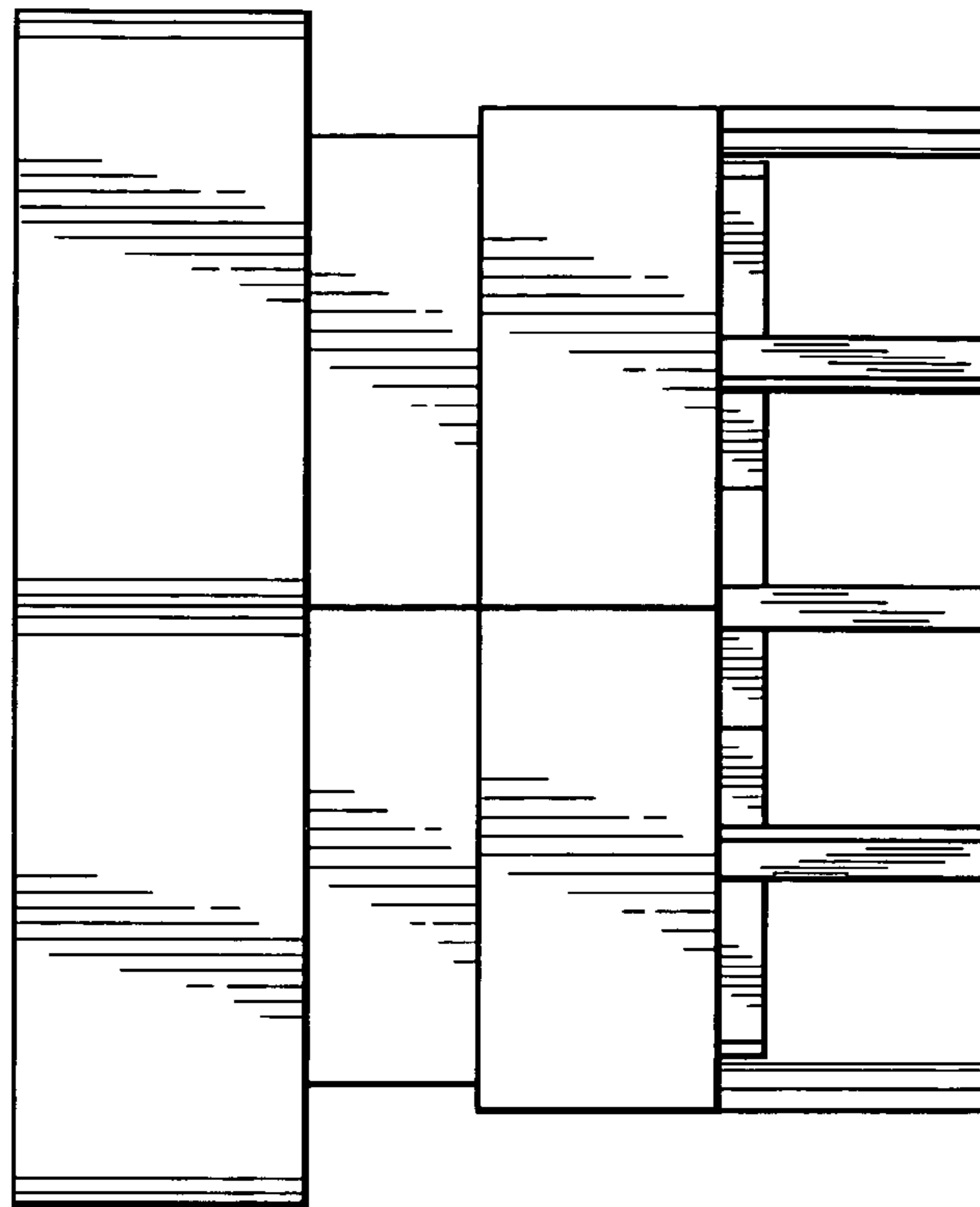


FIG. 3

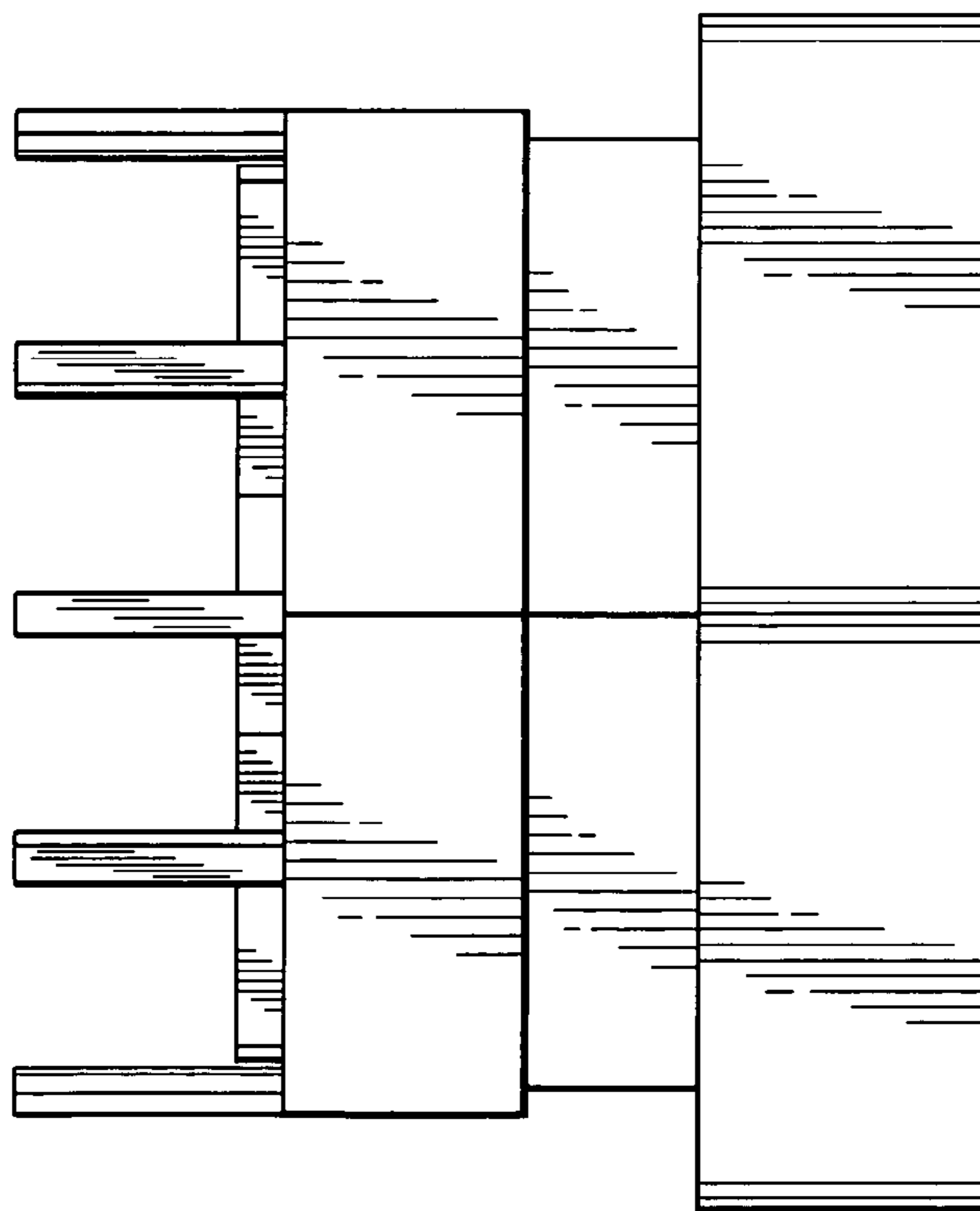


FIG. 5

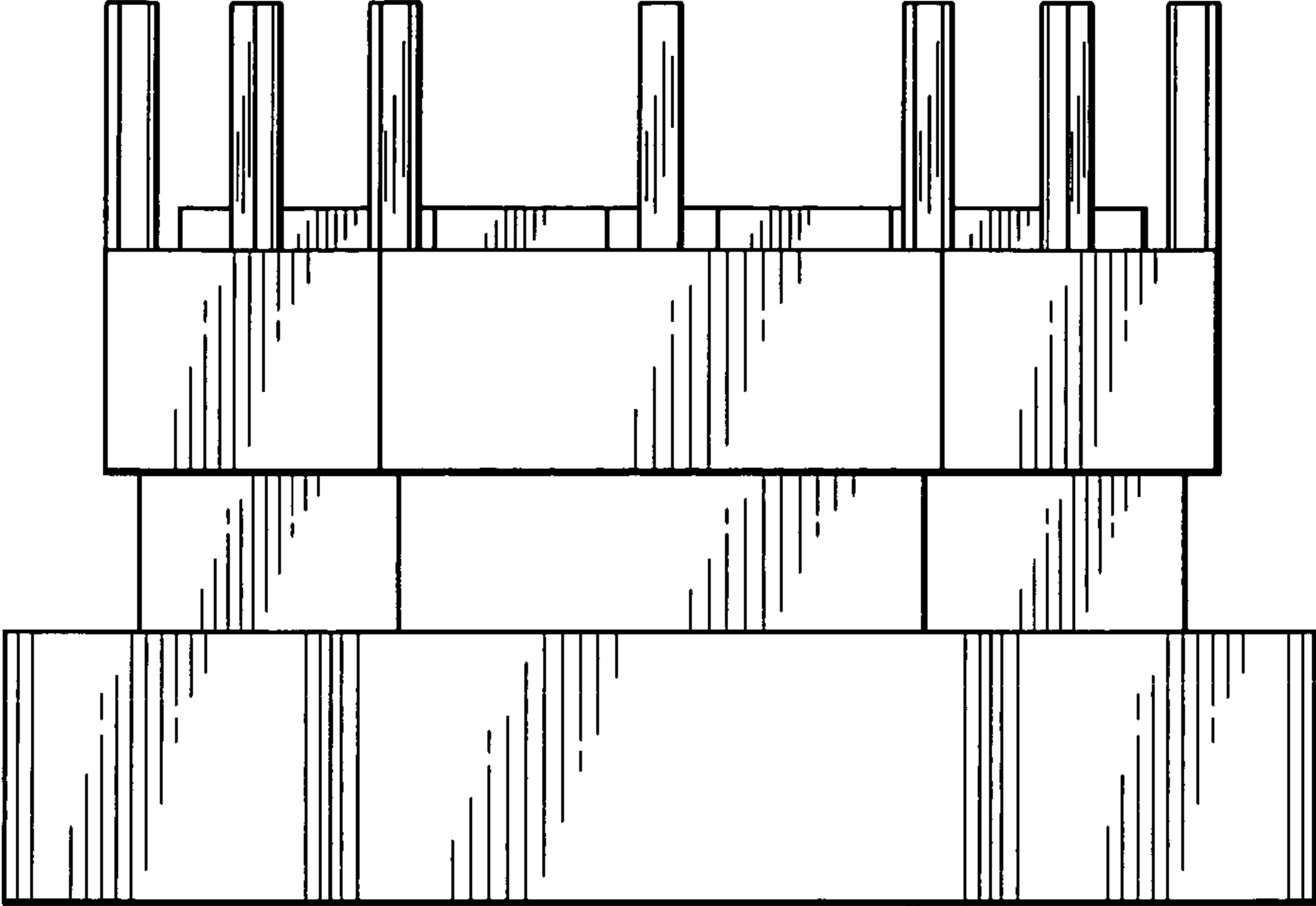


FIG. 7

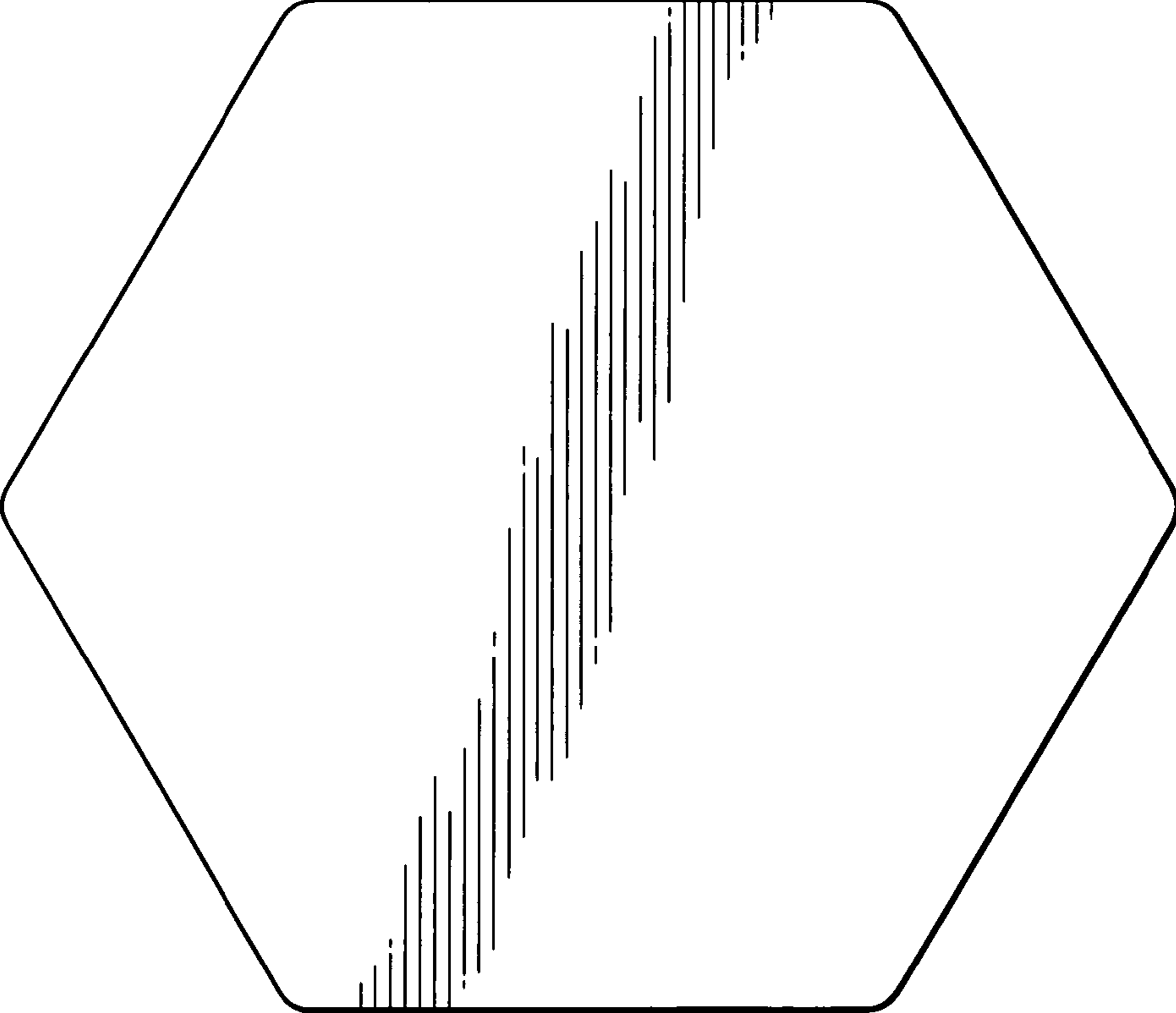


FIG. 6

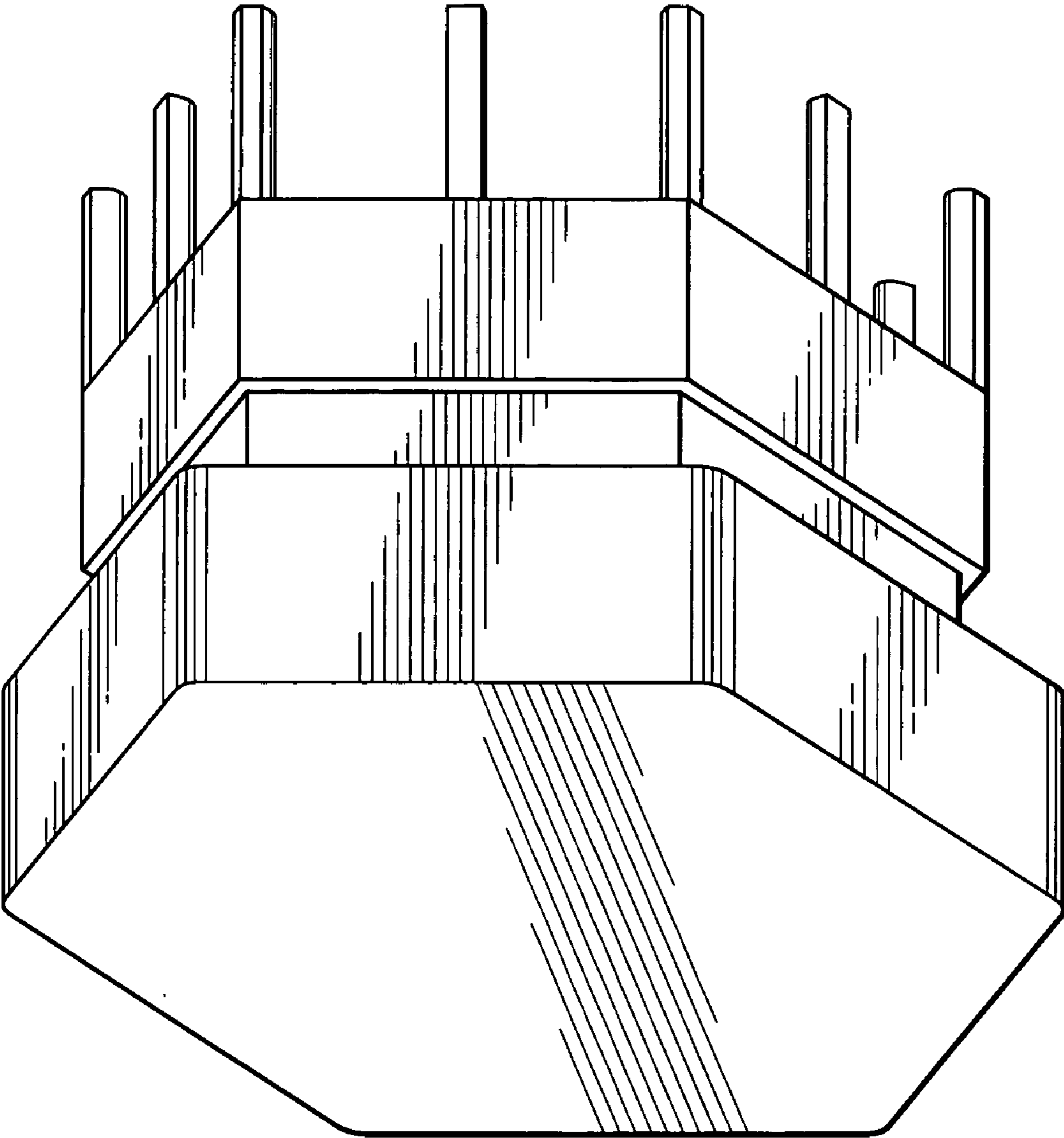


FIG. 8