



US00D615434S

(12) **United States Design Patent**
Regard

(10) **Patent No.:** **US D615,434 S**

(45) **Date of Patent:** **** May 11, 2010**

(54) **BAG RACK SCALE/SENSOR DEVICE HOUSING**

(76) Inventor: **Joseph Regard**, 299 Gitz Dr.,
Madisonville, LA (US) 70447

(**) Term: **14 Years**

(21) Appl. No.: **29/338,605**

(22) Filed: **Jun. 15, 2009**

Related U.S. Application Data

(63) Continuation-in-part of application No. 12/477,533,
filed on Jun. 3, 2009, which is a continuation of appli-
cation No. 11/778,057, filed on Jul. 15, 2007, now
abandoned, and a continuation-in-part of application
No. 11/053,317, filed on Feb. 7, 2005, now Pat. No.
7,248,164.

(51) **LOC (9) Cl.** **10-04**

(52) **U.S. Cl.** **D10/91**

(58) **Field of Classification Search** D10/91;
177/4, 25.12-25.16, 177, 199, 210 R, 238-245,
177/262, 210 C, 30, 126, 127, DIG. 3; 324/692,
324/512, 515, 806; 606/506, 547
See application file for complete search history.

(56) **References Cited**

U.S. PATENT DOCUMENTS

6,549,119 B1 * 4/2003 Turner 340/10.5
6,681,896 B1 * 1/2004 Davis 186/66
6,693,539 B2 * 2/2004 Bowers et al. 340/572.1
7,044,373 B1 * 5/2006 Garber et al. 235/385
D594,363 S * 6/2009 Vantine D10/91

D596,518 S * 7/2009 Kesselman D10/91
2001/0011262 A1 * 8/2001 Hoyt et al. 707/1
2001/0029724 A1 * 10/2001 DeMatteis 53/459
2002/0098951 A1 * 7/2002 Wong et al. 482/54
2003/0206107 A1 * 11/2003 Goff et al. 340/572.7
2004/0026134 A1 * 2/2004 Waggoner et al. 177/160
2004/0188330 A1 * 9/2004 Slawson et al. 210/90
2004/0195011 A1 * 10/2004 O'Mahony et al. 177/154
2005/0068182 A1 * 3/2005 Dunlap et al. 340/572.8
2006/0103532 A1 * 5/2006 Van Fleet 340/572.1

* cited by examiner

Primary Examiner—Antoine D Davis

(74) *Attorney, Agent, or Firm*—Joseph T Regard, Ltd plc

(57) **CLAIM**

The ornamental design for a bag rack scale/sensor device
housing, as shown and described.

DESCRIPTION

FIG. 1 is a perspective view of the design of the present
invention;

FIG. 2 is top view of the design of the present invention;

FIG. 3 is a bottom view of the design of the present invention;

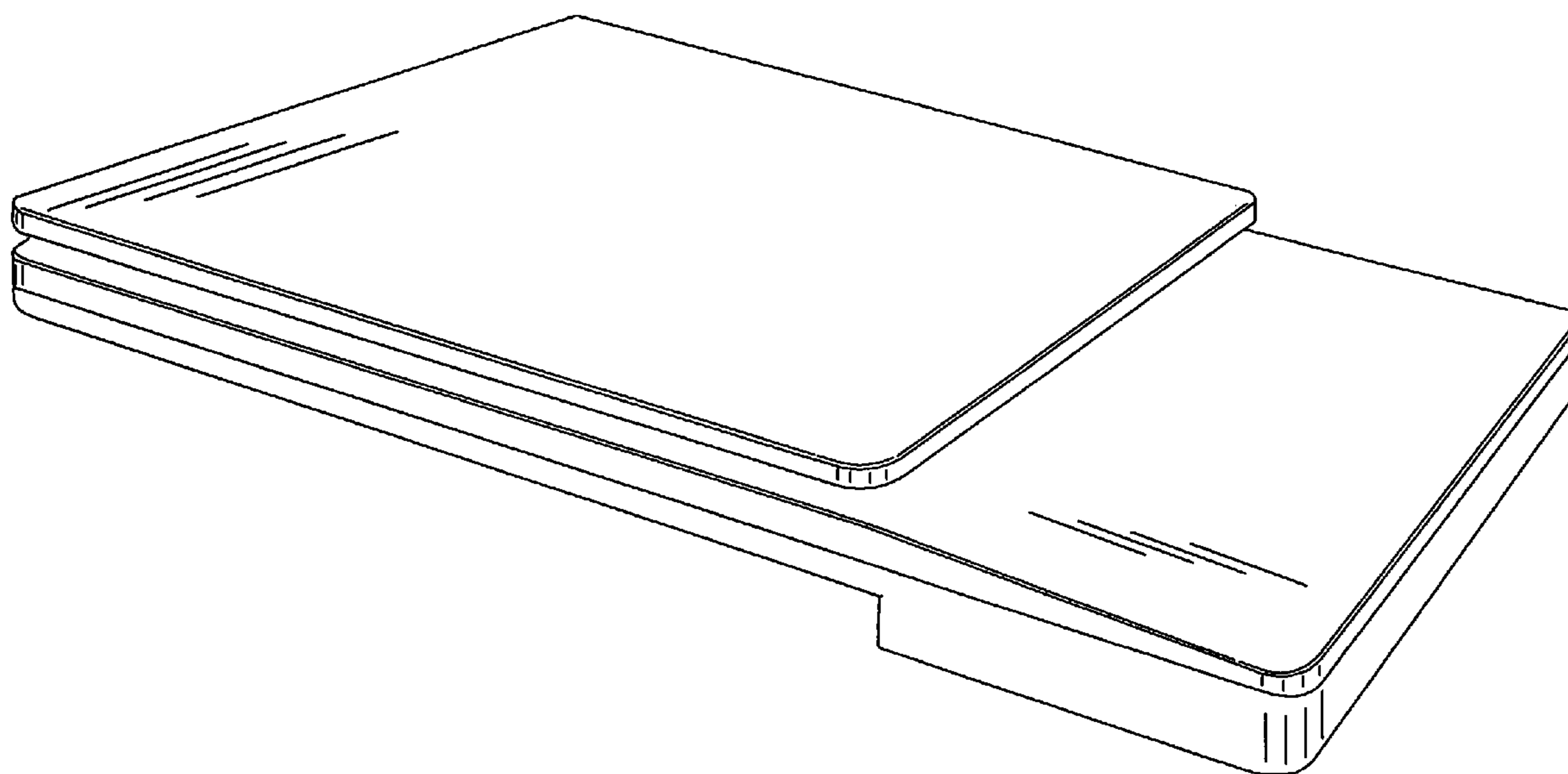
FIG. 4 is a rear end view of the design of the present invention;

FIG. 5 is a front end view of the design of the present inven-
tion; and,

FIG. 6 is a side view of the design of the present invention.

The broken line showing of line structure is included for the
purpose of illustrating non-claimed subject matter and forms
no part of the claimed design.

1 Claim, 4 Drawing Sheets



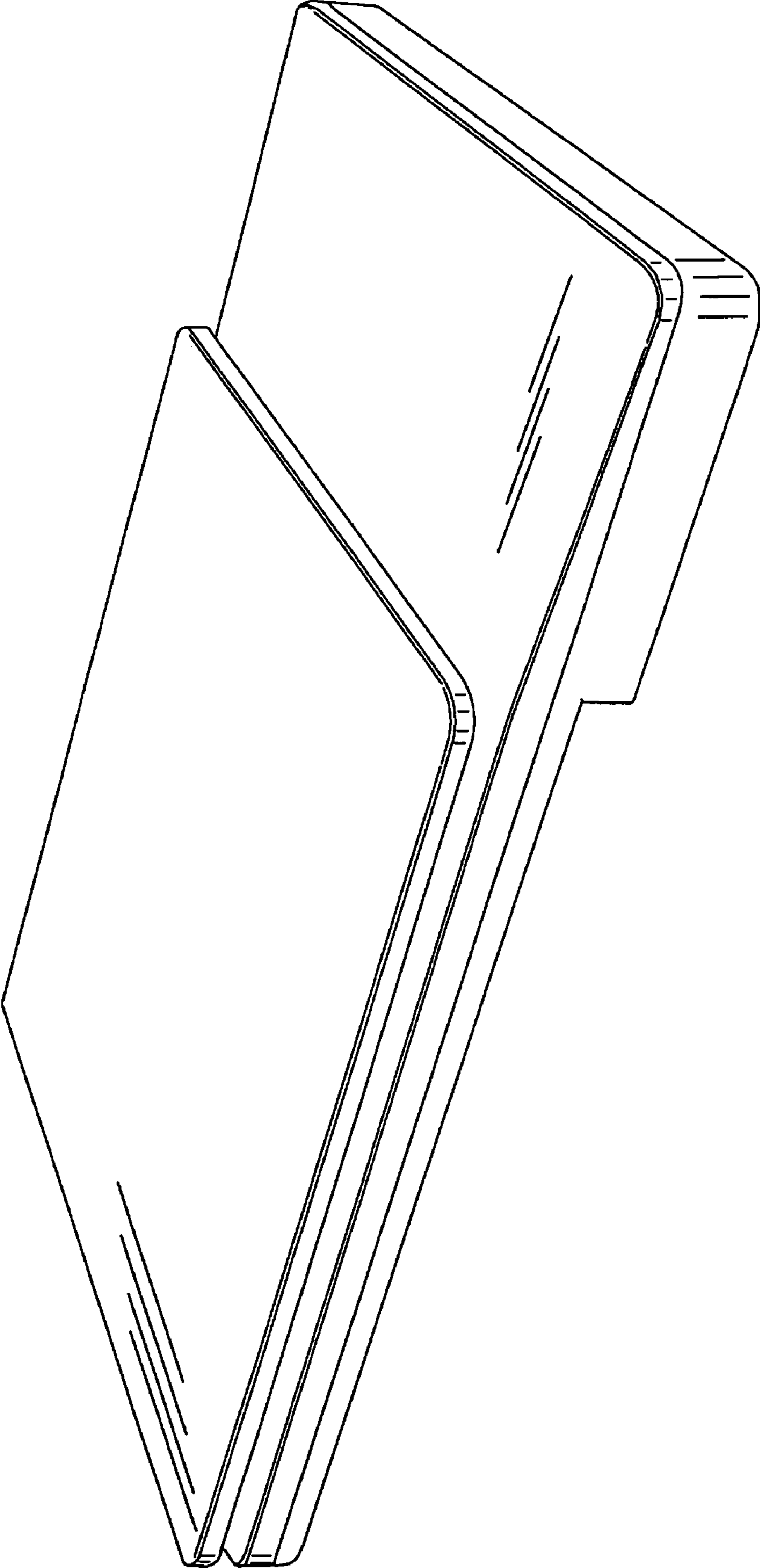


FIG. 1

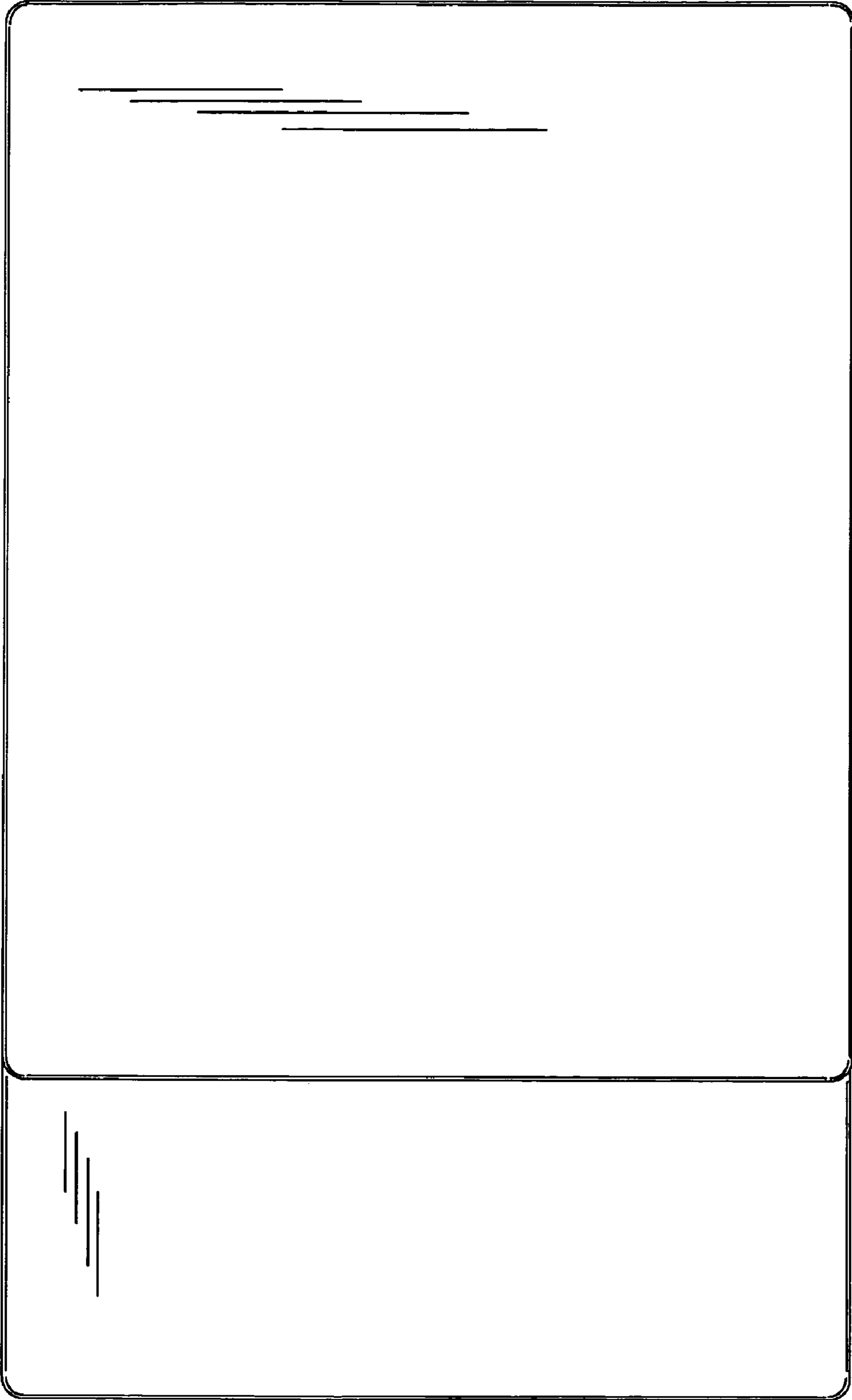


FIG. 2

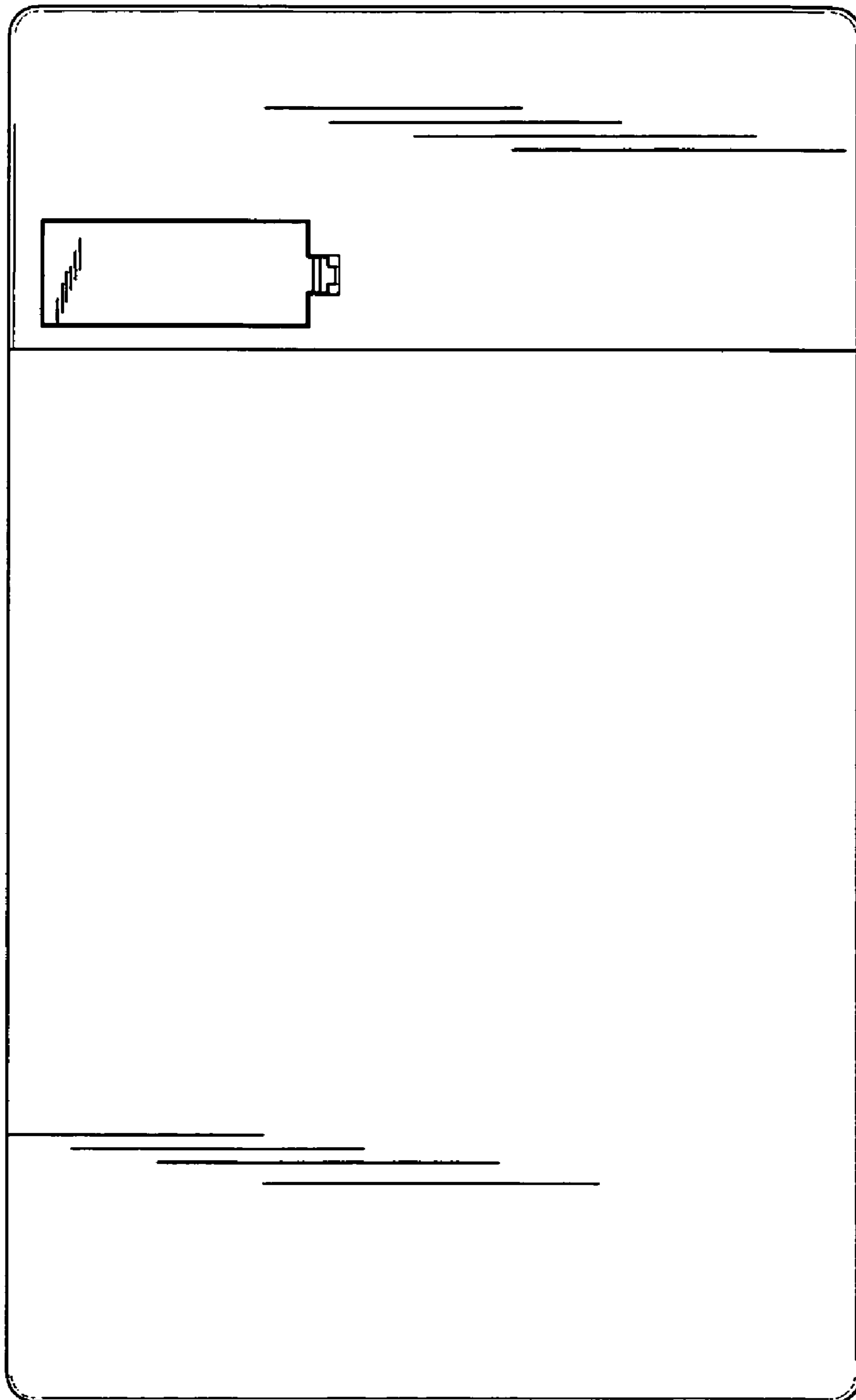


FIG. 3

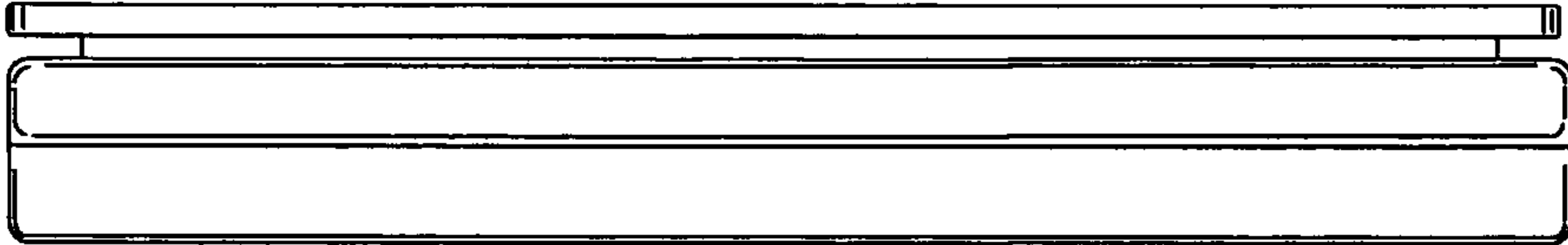


FIG. 4

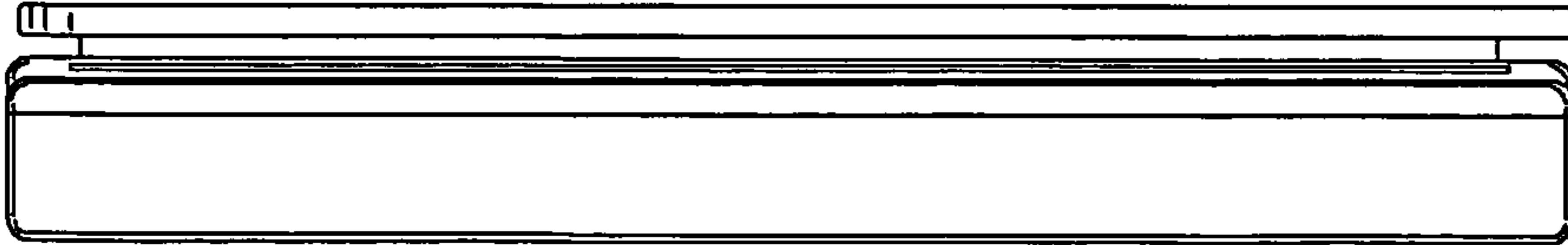


FIG. 5

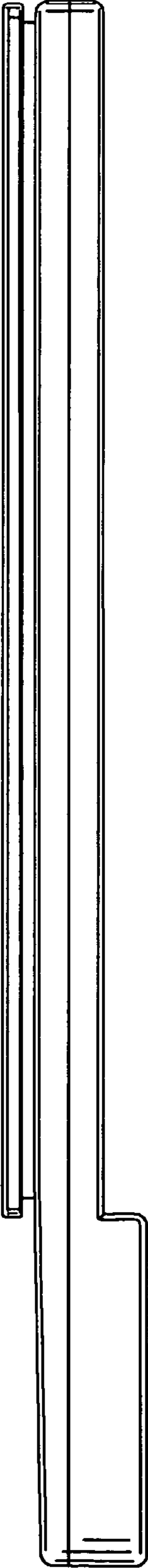


FIG. 6