



US00D615433S

(12) **United States Design Patent**
Li et al.

(10) **Patent No.:** **US D615,433 S**
(45) **Date of Patent:** **** May 11, 2010**

(54) **WEIGHT SCALE ASSEMBLY WITH RAMPS**

(75) Inventors: **Weilong Li**, Schaumburg, IL (US);
Jiwen Lu, Schaumburg, IL (US);
Ricardo Murguia, Schaumburg, IL (US);
James Montagnino, St. Charles, IL (US);
Charles Choi, Chicago, IL (US);
Mark Pavel, Chicago, IL (US);
Nathan J. Luman, Chicago, IL (US)

(73) Assignee: **NCI Technology, Inc.**, Schaumburg, IL (US)

(**) Term: **14 Years**

(21) Appl. No.: **29/311,900**

(22) Filed: **Jul. 27, 2009**

(51) **LOC (9) Cl.** **10-04**

(52) **U.S. Cl.** **D10/91**

(58) **Field of Classification Search** D10/88-94;
177/210 R, 210 C, 210 GM, 210 PP, 236,
177/245, DIG. 3, 25.12-25.18, 177, 126,
177/1, 181, 25, 30, 127, 131, 148, 225, 21 EM,
177/21 FP, 212-214, 211; 600/506, 547
See application file for complete search history.

(56) **References Cited**

U.S. PATENT DOCUMENTS

D451,834 S * 12/2001 Montagnino et al. D10/92
D558,078 S * 12/2007 Van Oers et al. D10/91

* cited by examiner

Primary Examiner—Antoine D Davis
(74) *Attorney, Agent, or Firm*—Dillis V. Allen, Esq.

(57) **CLAIM**

The ornamental design for a weight scale assembly with ramps, as shown and described.

DESCRIPTION

FIG. 1 is a front view of the present weight scale assembly with ramps design;

FIG. 2 is a rear view of the present weight scale assembly with ramps design;

FIG. 3 is a left side view of the present weight scale assembly with ramps design;

FIG. 4 is a right side view of the present weight scale assembly with ramps design;

FIG. 5 is a top view of the present weight scale assembly with ramps design;

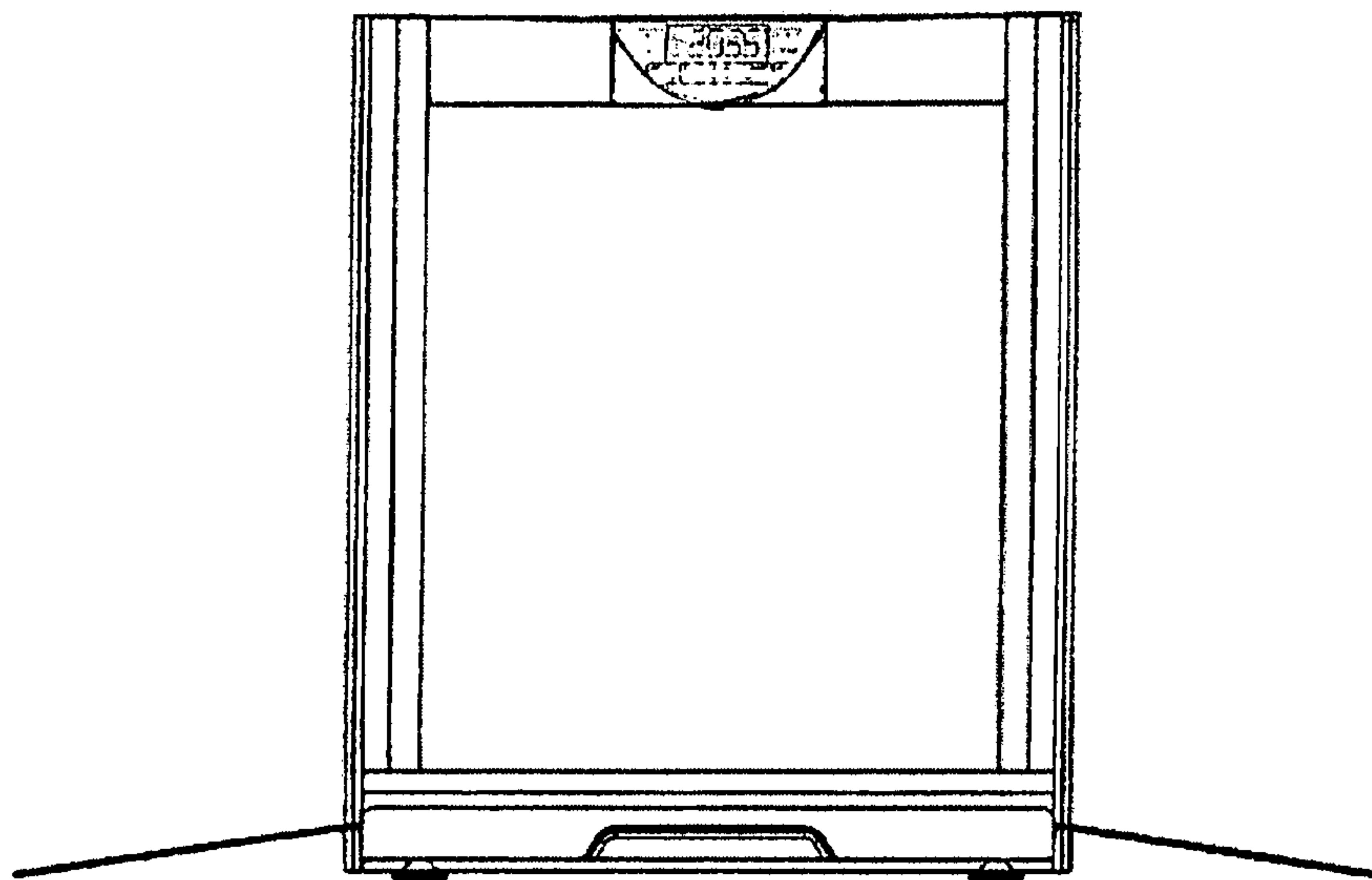
FIG. 6 is a bottom view of the present weight scale assembly with ramps design, and;

FIG. 7 is a perspective view of the present weight scale assembly with ramps design; and,

FIG. 8 is an enlarged view of the display of the present weight scale assembly with ramps design.

The broken line showing of structural features is included for the purpose of illustrating non-claimed subject matter and forms no part of the claimed design.

1 Claim, 5 Drawing Sheets



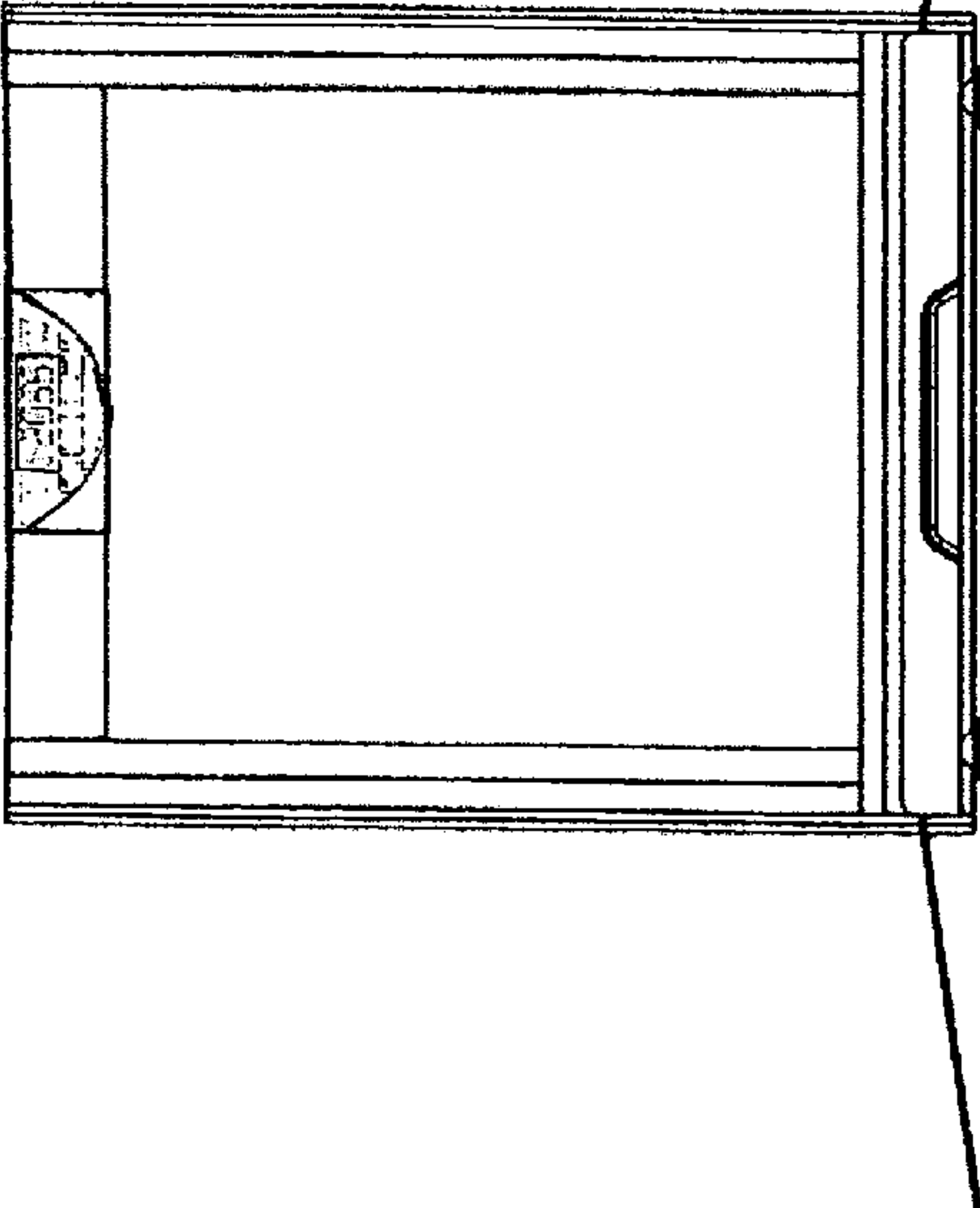
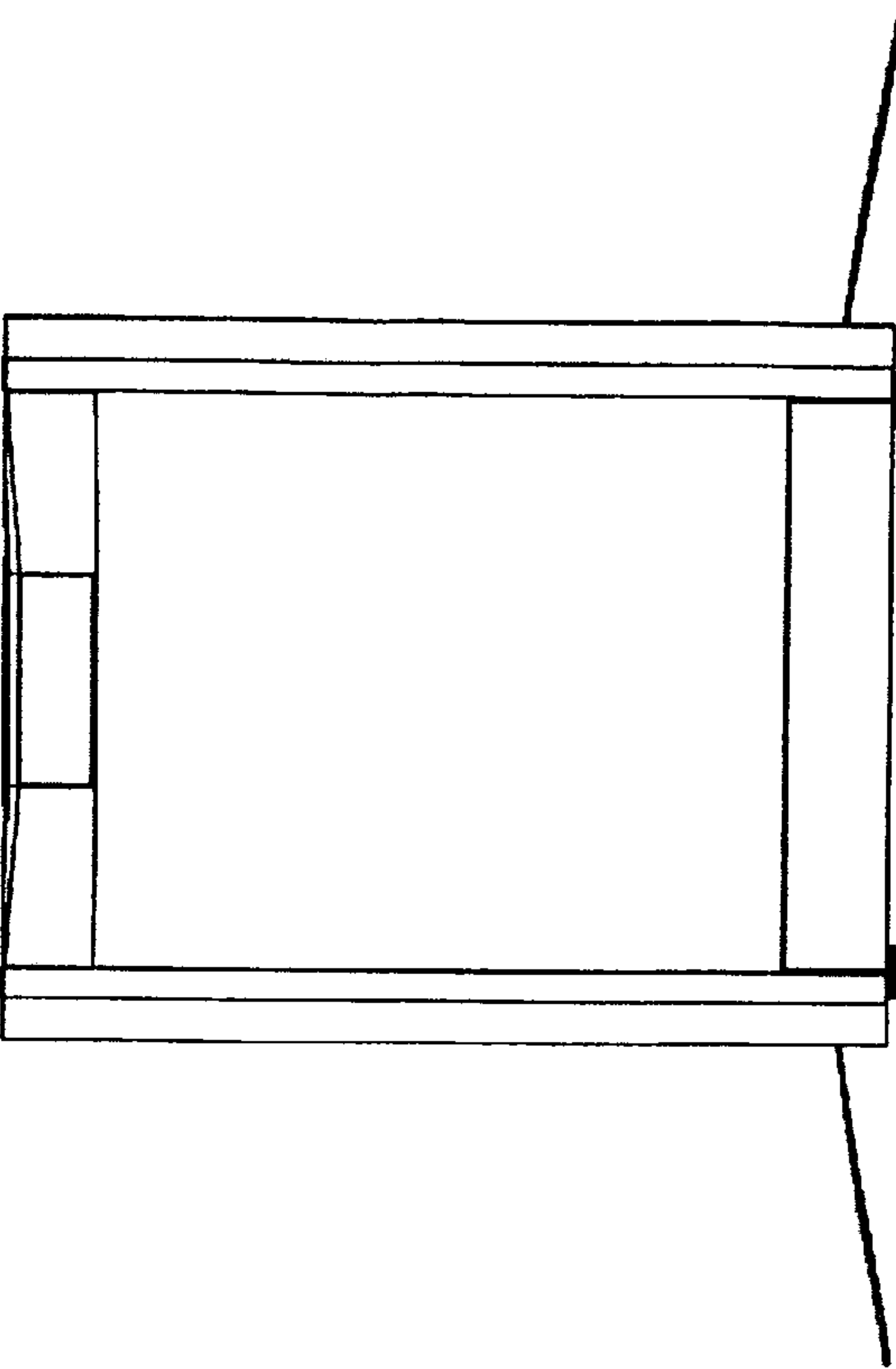


Fig.1

Fig.2



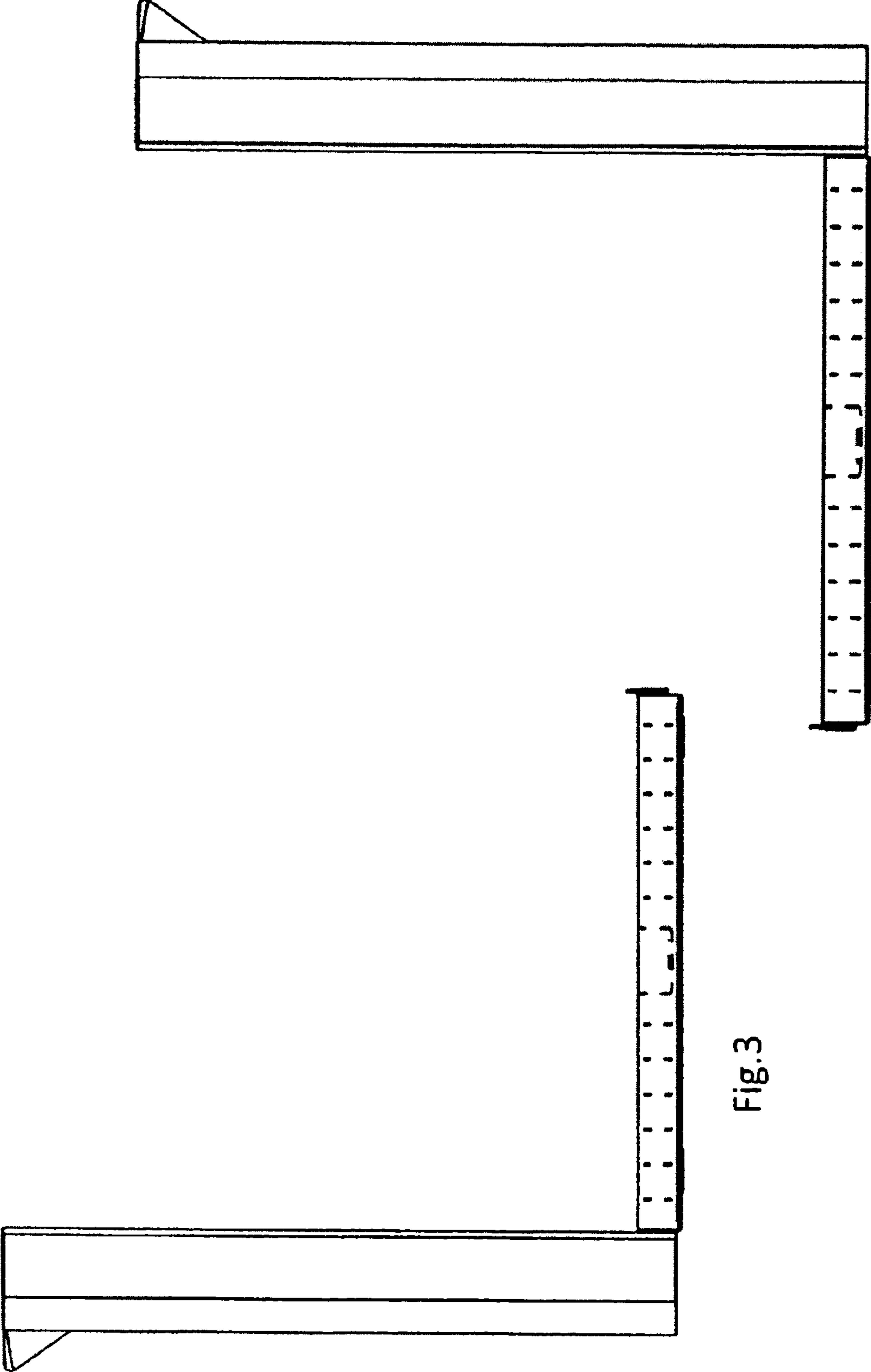


Fig.3

Fig.4

Fig.5

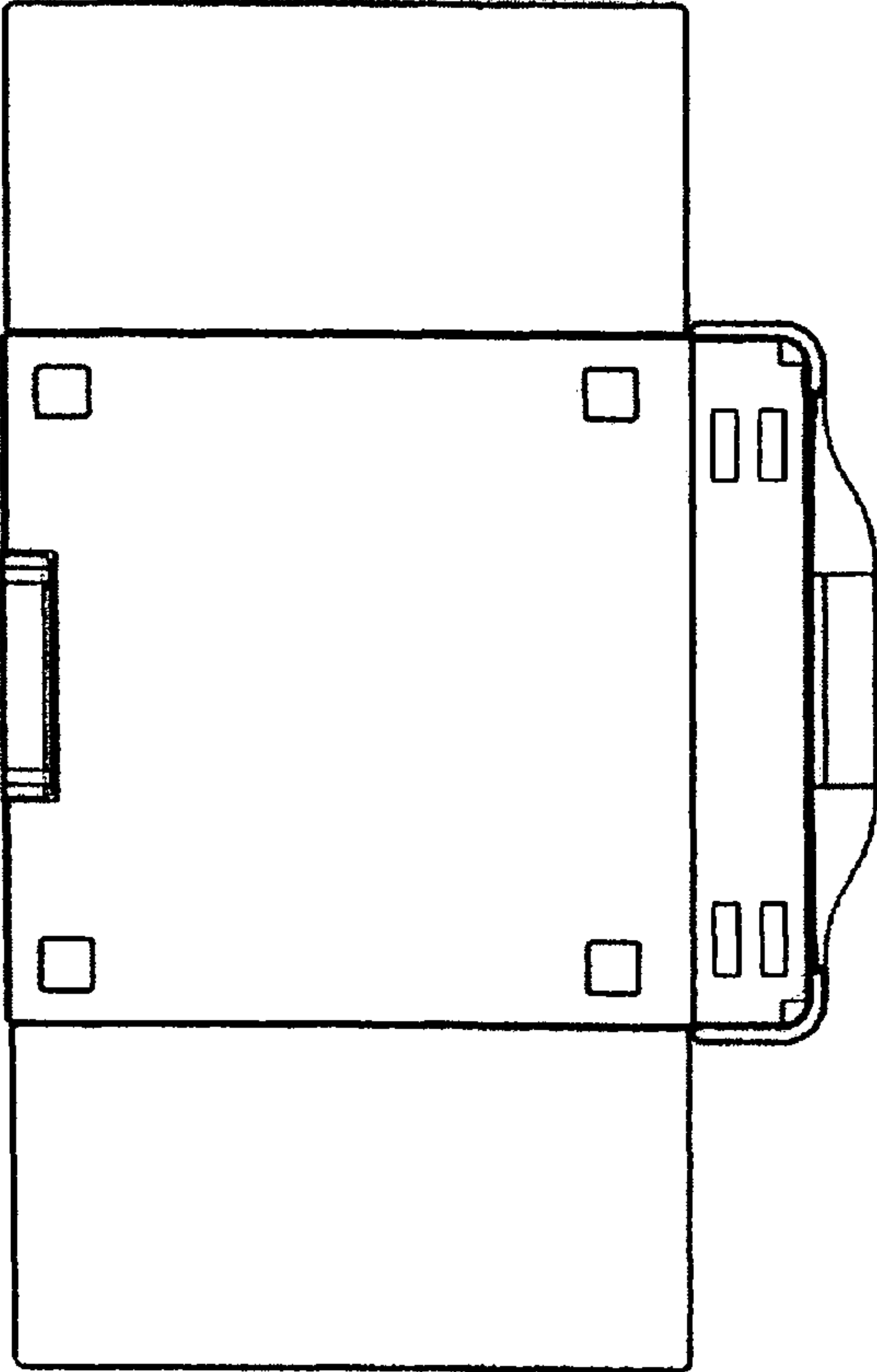
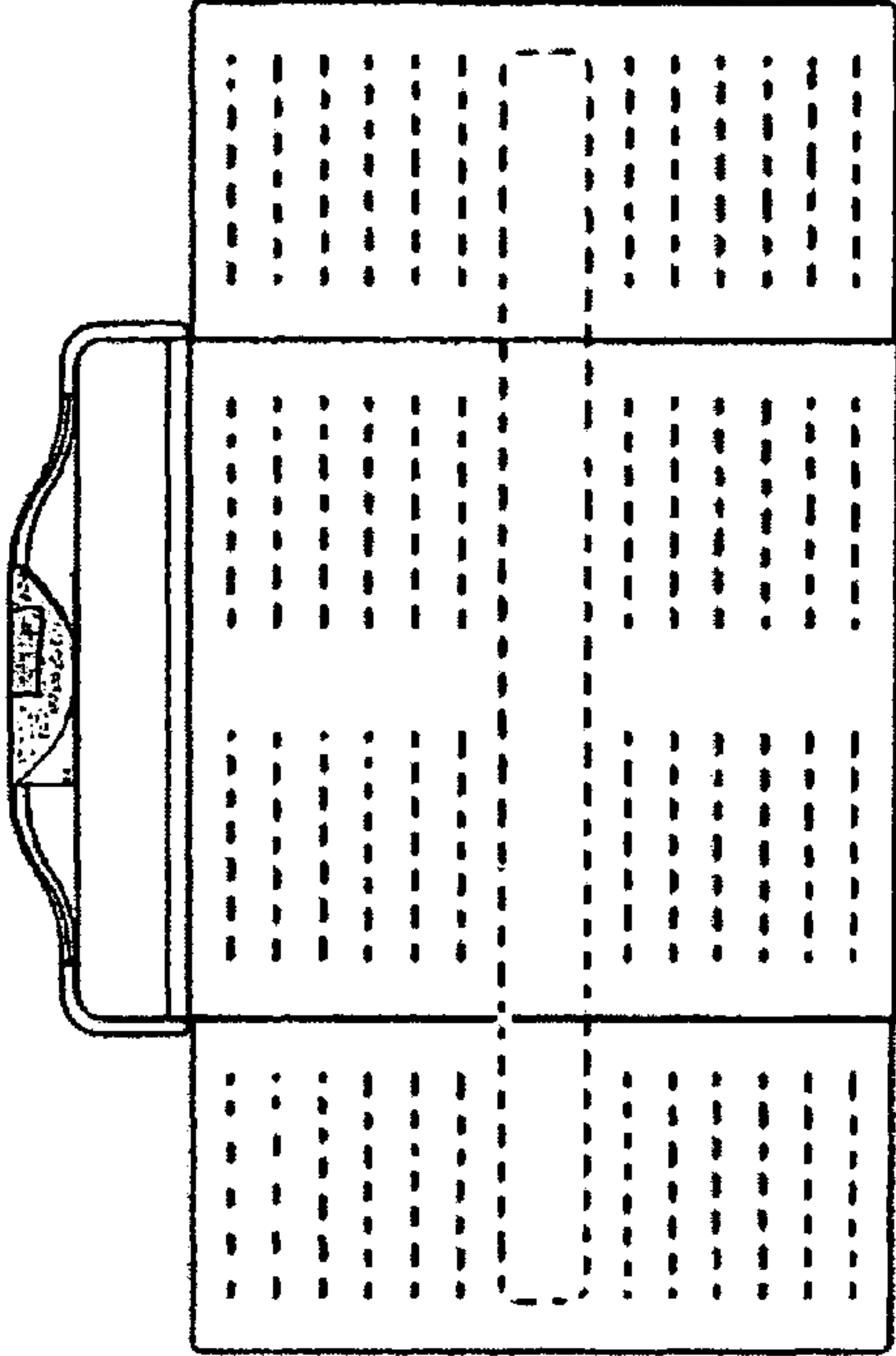


Fig.6



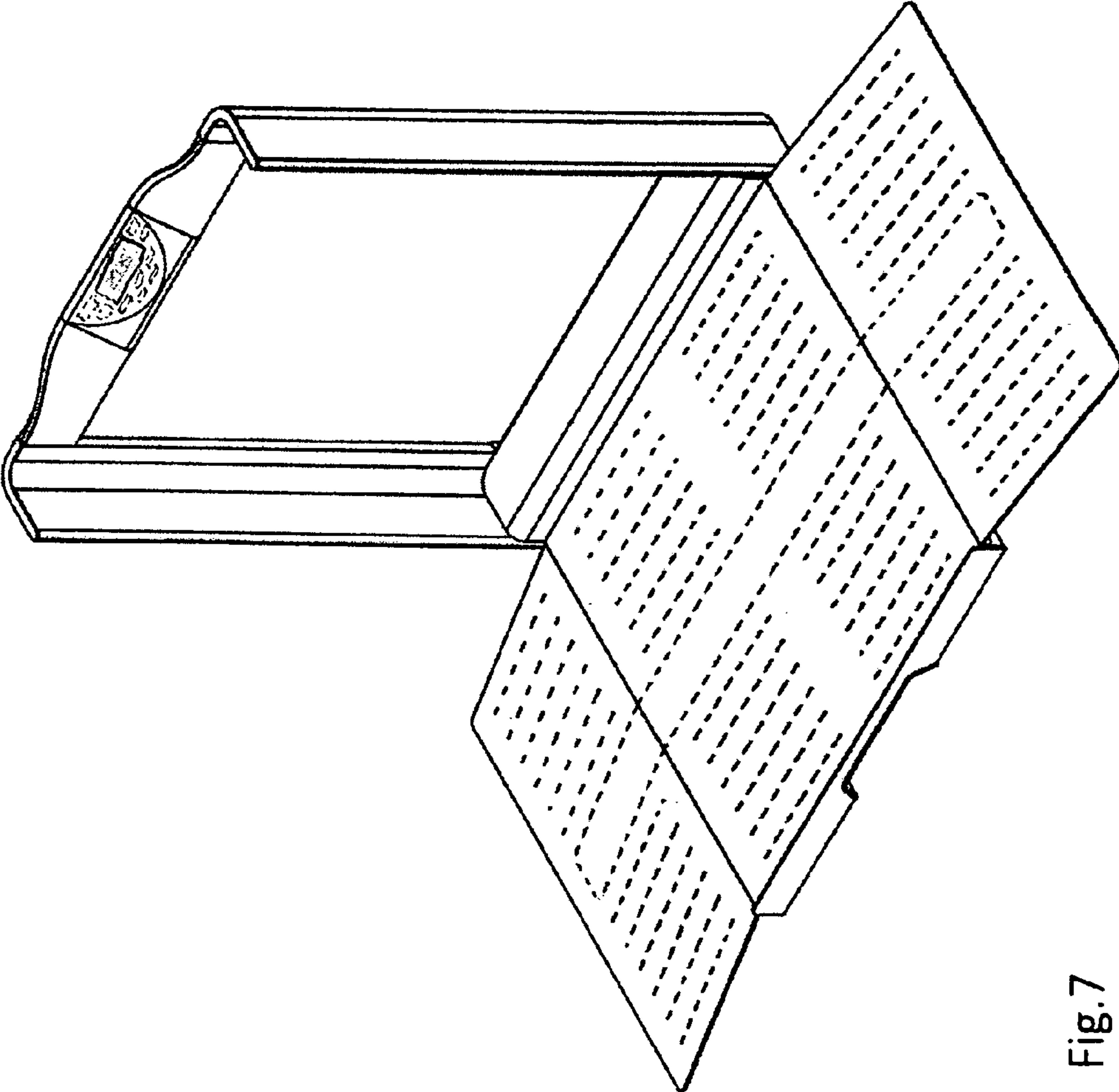


Fig.7

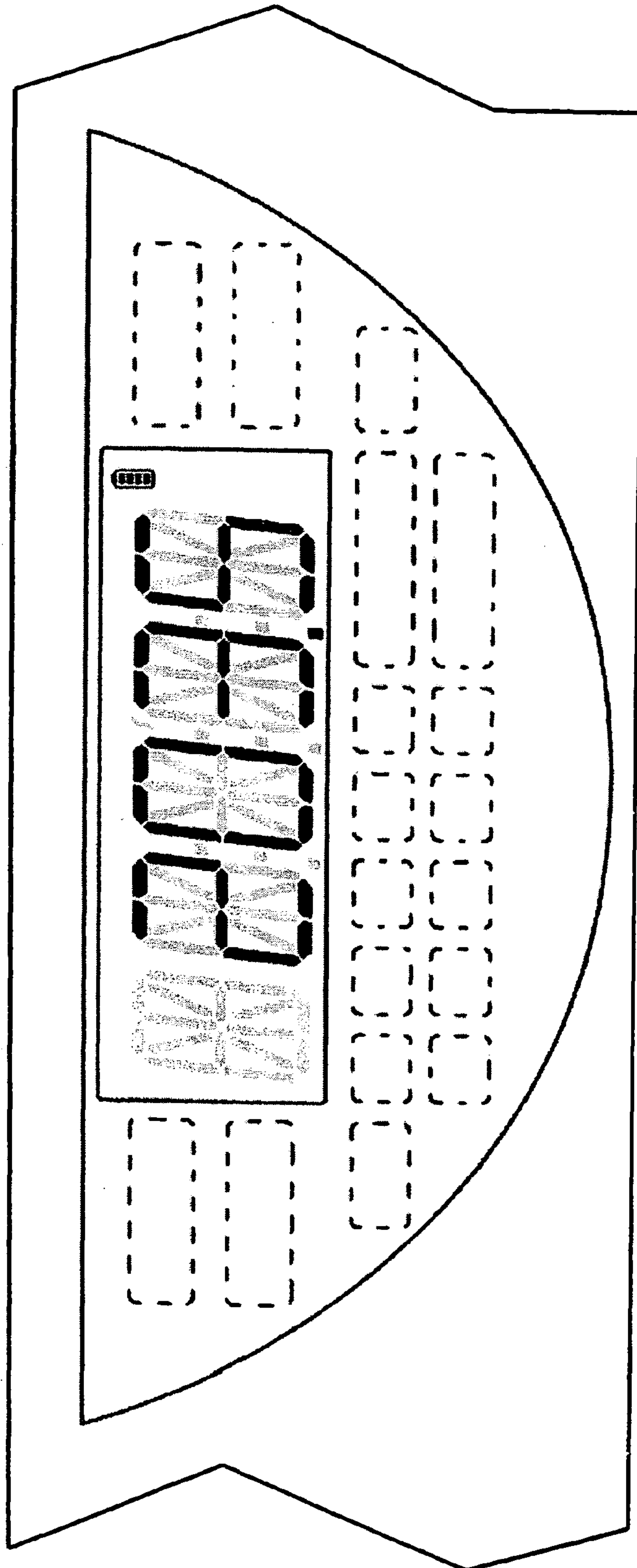


Fig. 8