



US00D615432S

(12) **United States Design Patent**
Brefka

(10) **Patent No.:** **US D615,432 S**

(45) **Date of Patent:** **** May 11, 2010**

(54) **DEVICE FOR RECEIVING AND COLLECTING BIOSIGNALS FROM ELECTRODES AND TRANSMITTING SAME**

D474,414 S * 5/2003 Ikeda et al. D10/78
D585,317 S * 1/2009 Wagner D10/81

* cited by examiner

(75) Inventor: **Paul E. Brefka**, Southborough, MA (US)

Primary Examiner—Antoine D Davis
(74) *Attorney, Agent, or Firm*—Pandiscio & Pandiscio

(73) Assignee: **NeuroMetrix, Inc.**, Waltham, MA (US)

(57) **CLAIM**

(**) Term: **14 Years**

The ornamental design for a device for receiving and collecting biosignals from electrodes and transmitting same, as shown and described.

(21) Appl. No.: **29/325,651**

(22) Filed: **Oct. 3, 2008**

DESCRIPTION

(51) **LOC (9) Cl.** **10-04**

FIG. 1 is a perspective view of a device for receiving and collecting biosignals from electrodes and transmitting same;

(52) **U.S. Cl.** **D10/81**

FIG. 2 is a top plan view thereof;

(58) **Field of Classification Search** D10/46,
D10/78, 81; D24/186, 187, 216, 224, 232;
340/575; 348/163; 600/437, 443, 500, 502,
600/503, 544

FIG. 3 is a front elevational view thereof;

FIG. 4 is a rear elevational view thereof;

See application file for complete search history.

FIG. 5 is a left side elevational view thereof;

FIG. 6 is a right side elevational view thereof; and,

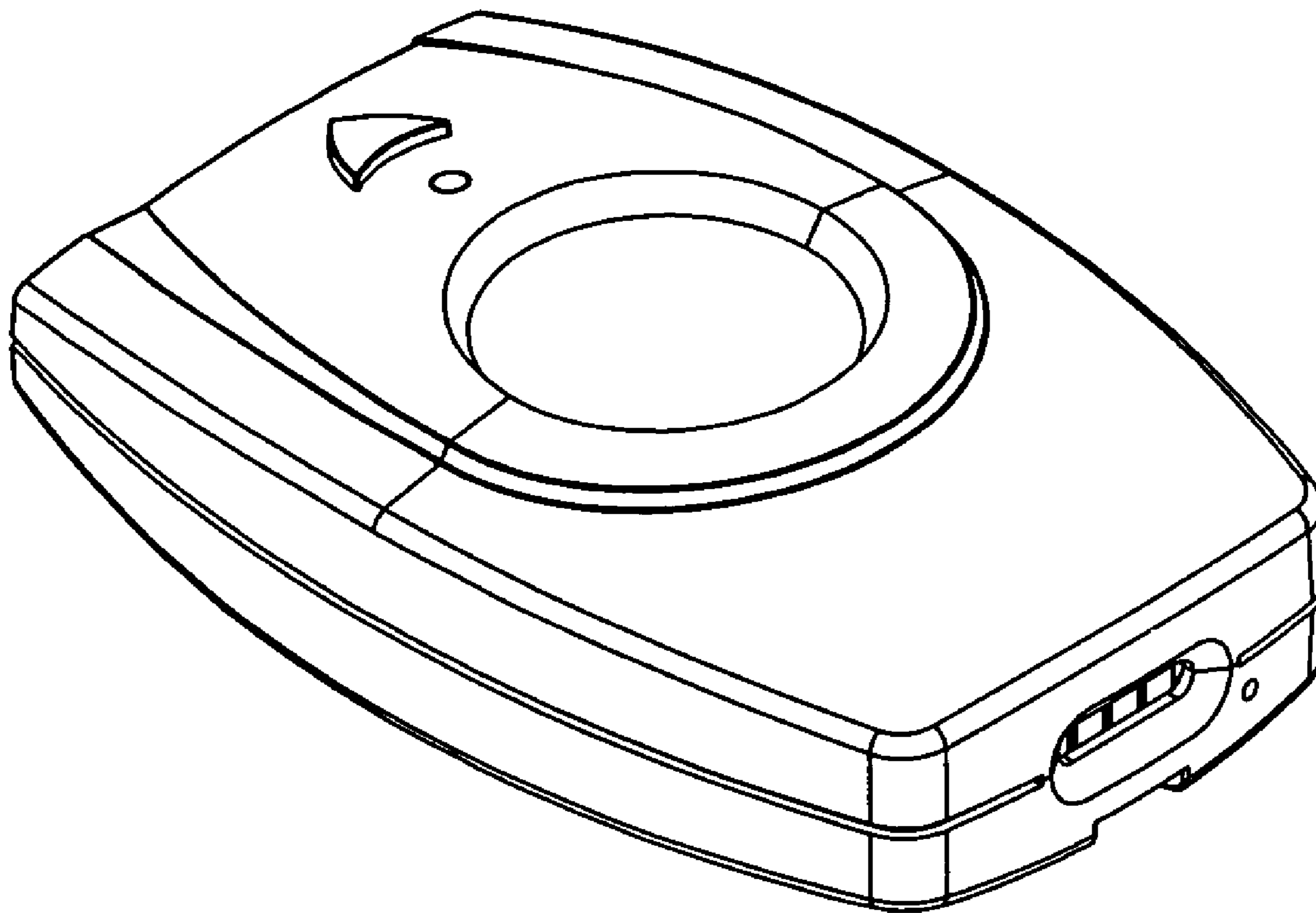
FIG. 7 is a bottom plan view thereof.

(56) **References Cited**

U.S. PATENT DOCUMENTS

D435,300 S * 12/2000 Bhullar et al. D10/81

1 Claim, 7 Drawing Sheets



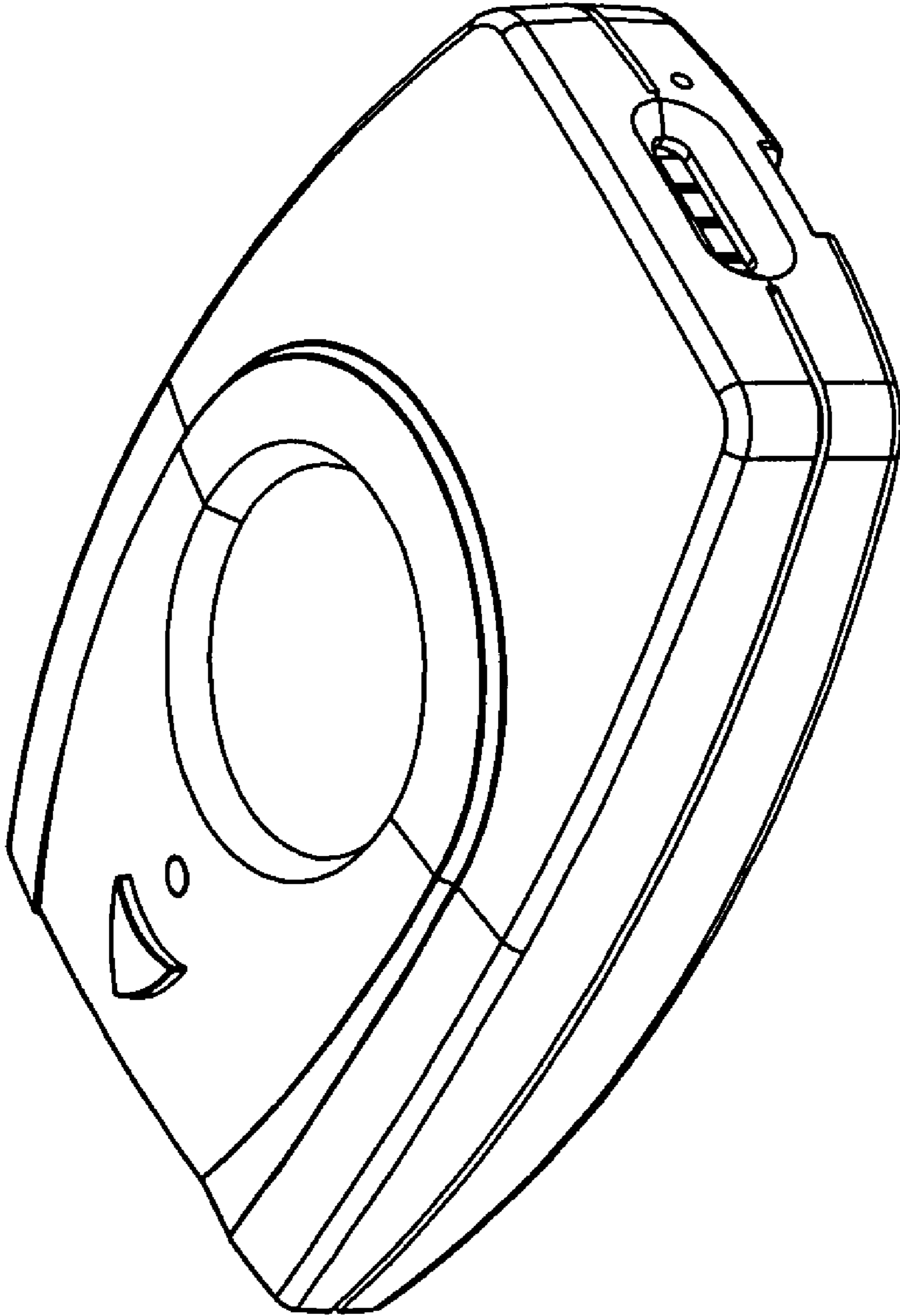


FIG. 1

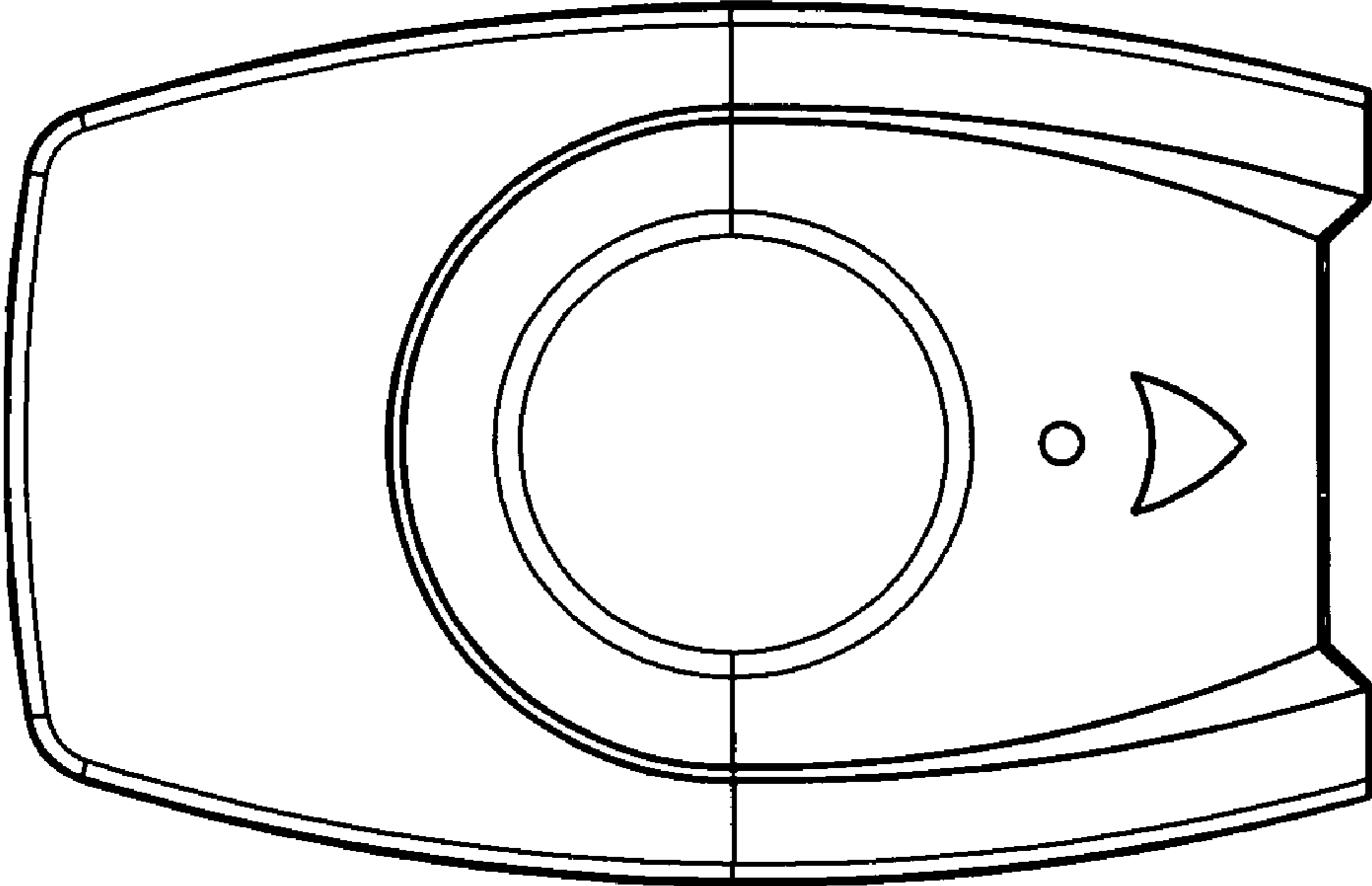


FIG.2

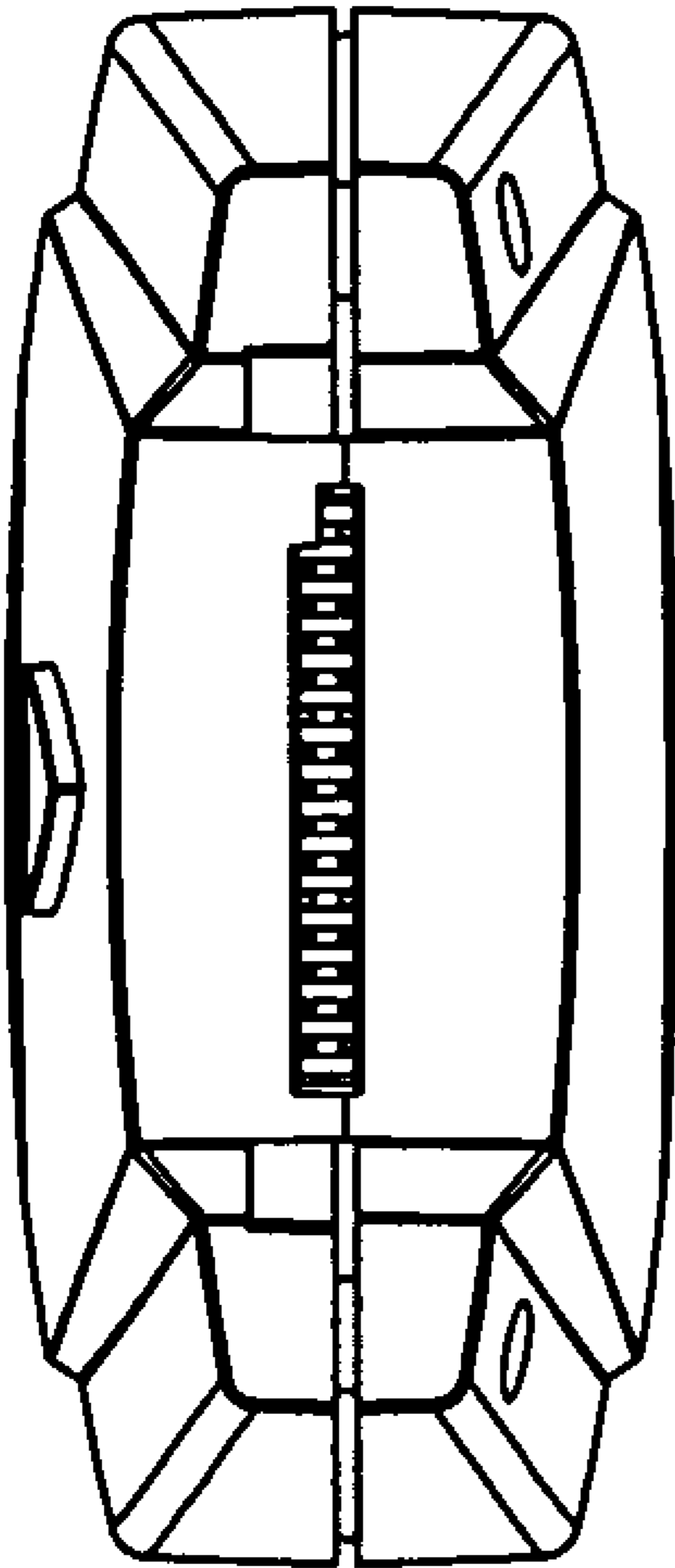


FIG. 3

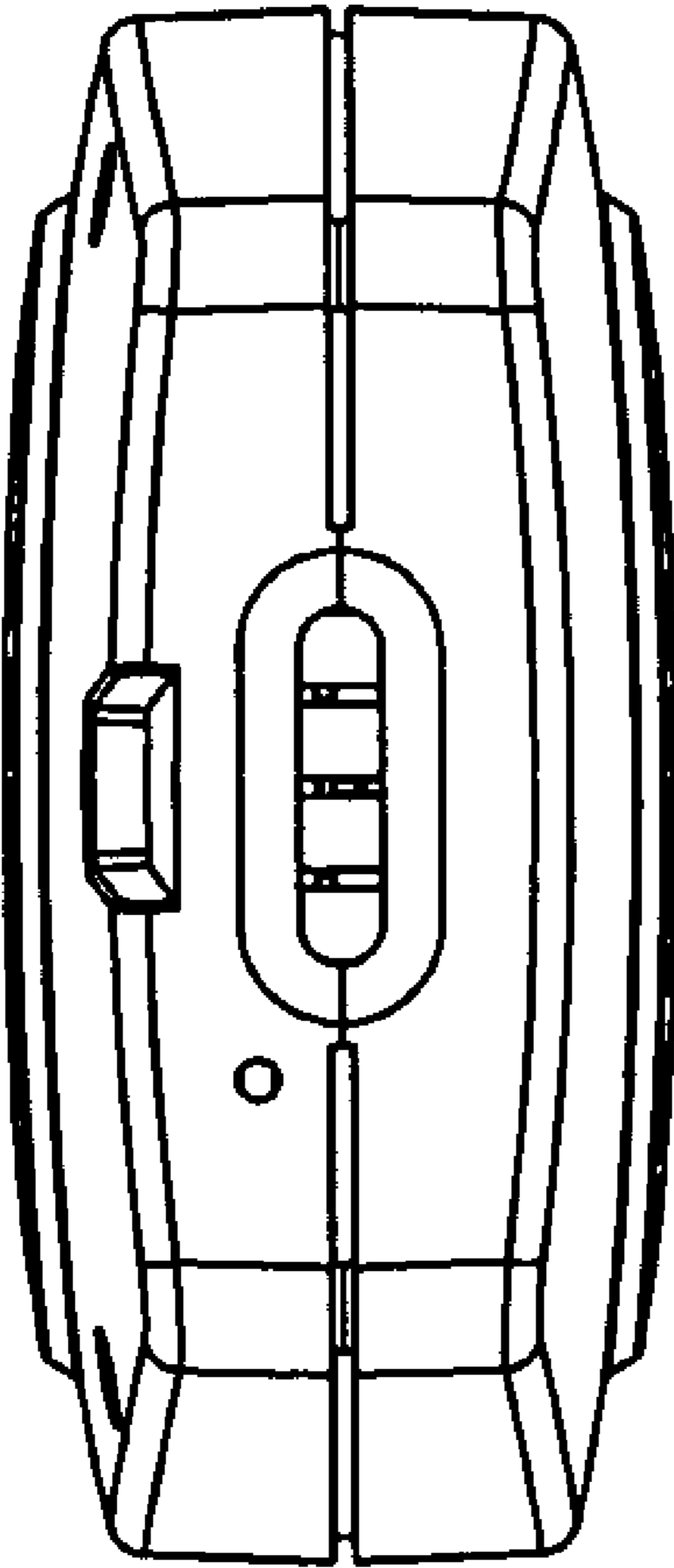


FIG. 4

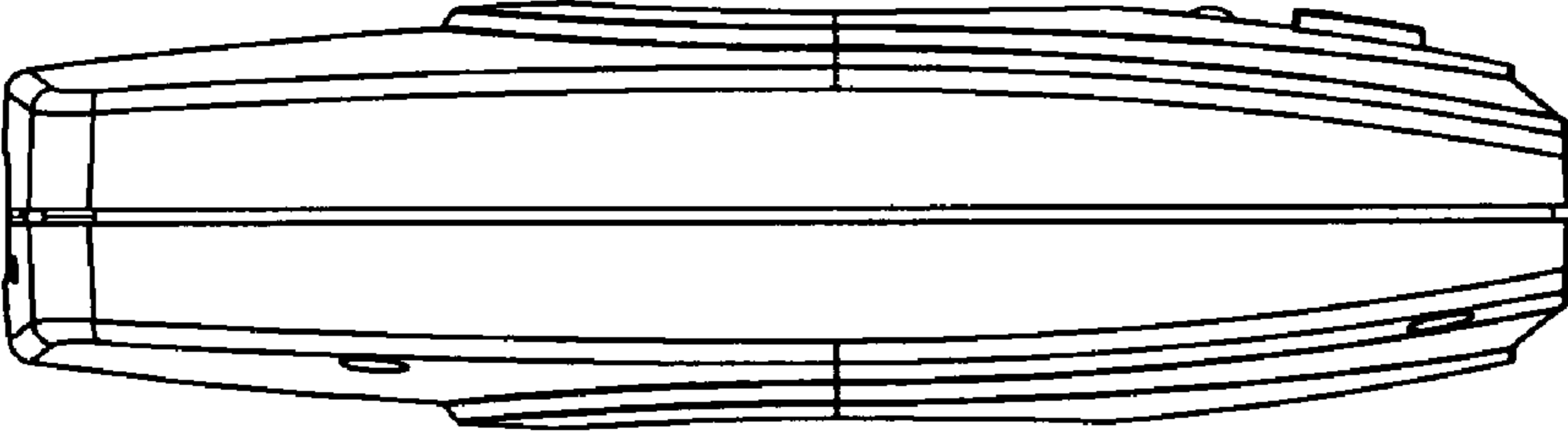


FIG. 5

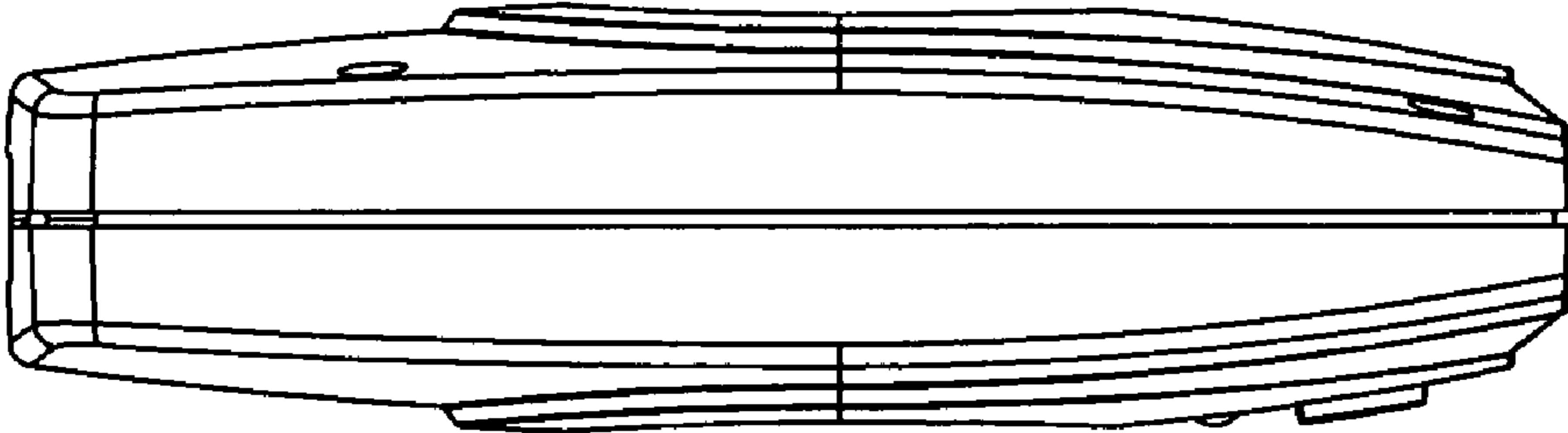


FIG. 6

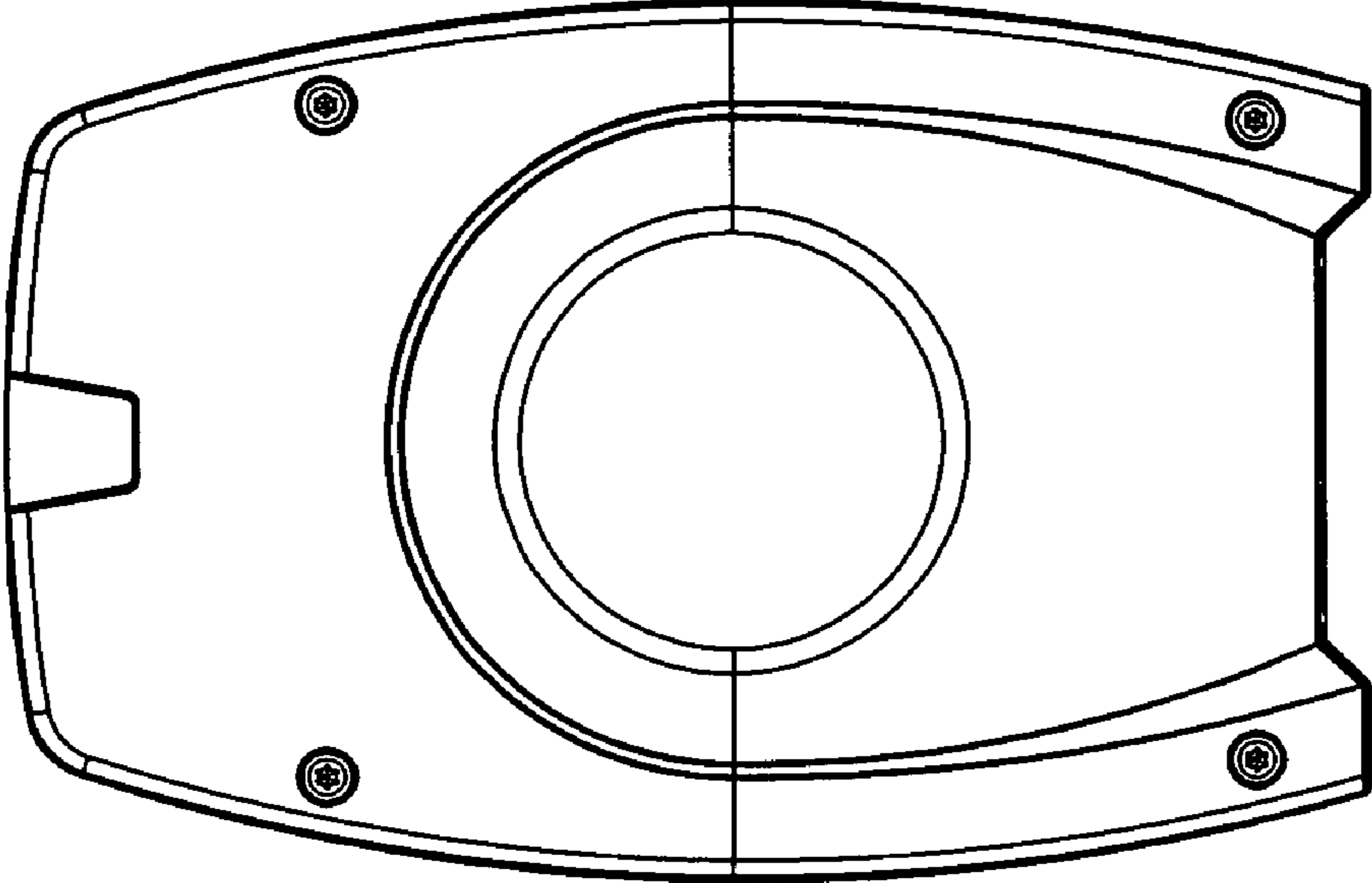


FIG. 7