



US00D615423S

(12) **United States Design Patent**
Alkire et al.

(10) **Patent No.:** **US D615,423 S**
(45) **Date of Patent:** **** May 11, 2010**

(54) **SCORE BOARD POST**

(76) Inventors: **Glenn Kenneth Alkire**, 4939 Aquaduct Dr., Greenwood, IN (US) 46142; **Kenneth Vause Alkire**, 186 Whalehead Rd., Gales Ferry, CT (US) 06335; **Gary Dean Alkire**, 1042 Oak St., Sugar Grove, IL (US) 60554; **Greg Thomas Alkire**, 1805 Stevens Dr., Chester, MD (US) 21619

(**) Term: **14 Years**

(21) Appl. No.: **29/355,103**

(22) Filed: **Feb. 2, 2010**

(51) **LOC (9) Cl.** **21-01**
(52) **U.S. Cl.** **D10/46.1**
(58) **Field of Classification Search** D10/46.1,
D10/46; 116/222-225, 279, 280, DIG. 35;
273/DIG. 26

See application file for complete search history.

(56) **References Cited**

U.S. PATENT DOCUMENTS

1,635,719 A * 7/1927 Lipp 40/598
3,220,127 A * 11/1965 Wilson 40/388
4,185,583 A * 1/1980 Stamm 116/225
D264,445 S * 5/1982 Spivey D10/46.1
4,404,543 A * 9/1983 Kracl 340/323 R
D300,435 S * 3/1989 Harris et al. D20/19
D308,236 S * 5/1990 Egender D10/46.1

5,025,748 A * 6/1991 Pettis 116/222
D318,628 S * 7/1991 Ralston D10/46.1
5,329,874 A * 7/1994 Posey 116/222
D418,431 S * 1/2000 Nicksich D10/46.1
D518,390 S * 4/2006 Poffenberger D10/46.1
D596,961 S * 7/2009 Moran et al. D10/46.1

* cited by examiner

Primary Examiner—Prabhakar Deshmukh
(74) *Attorney, Agent, or Firm*—QuickPatents, Inc.; Kevin Prince

(57) **CLAIM**

What is claimed is the ornamental design for a score board post, as shown and described.

DESCRIPTION

FIG. 1 is a perspective view of a score board post, showing the new design;

FIG. 2 is a front elevational view thereof;

FIG. 3 is a left-side elevational view thereof, the right-side elevational view being a mirror image thereof;

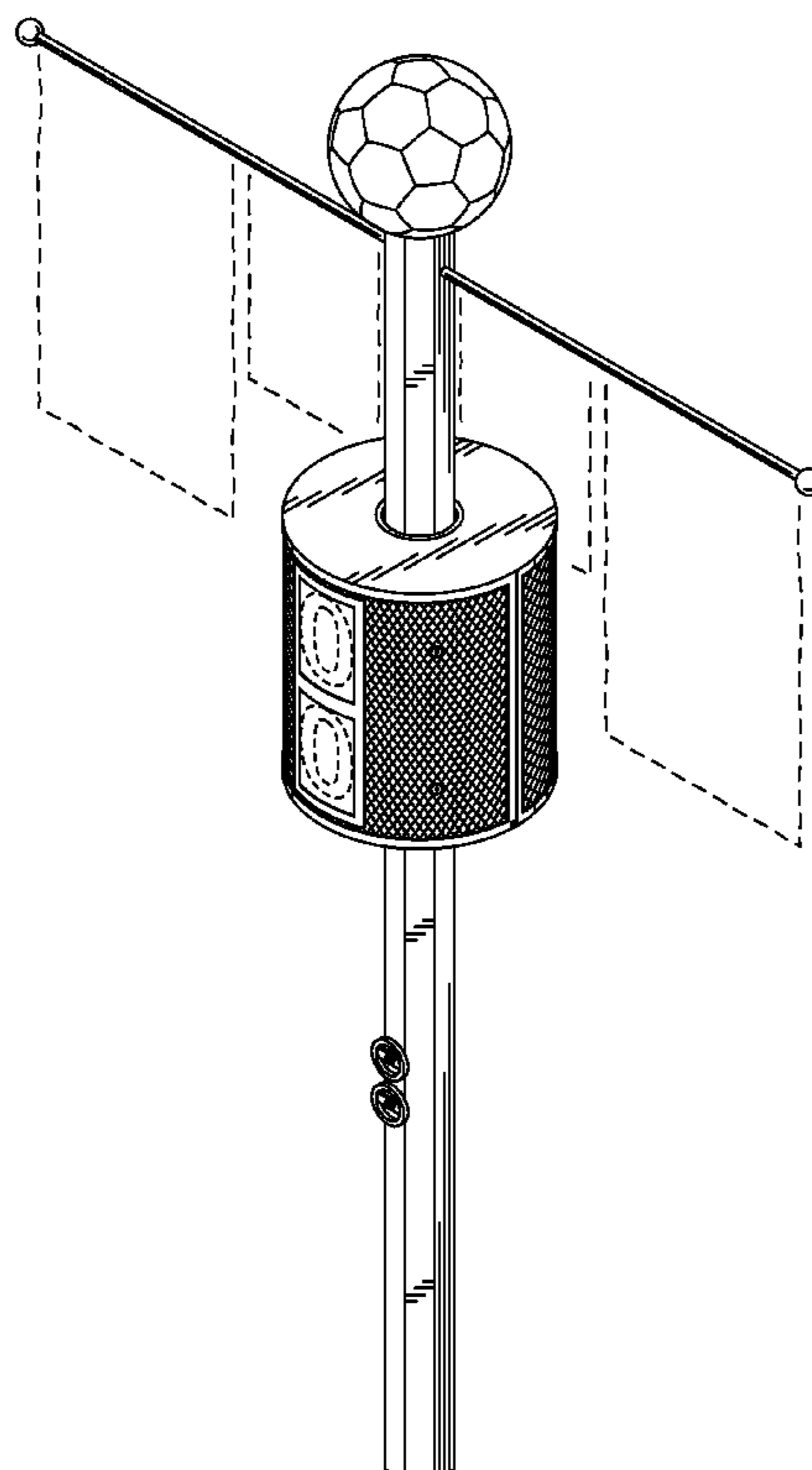
FIG. 4 is a top plan view thereof;

FIG. 5 is a rear elevational view thereof; and,

FIG. 6 is a bottom plan view thereof.

The broken lines showing flags and numerical indicators in FIG. 1 are included for the purpose of illustrating the invention in use, and form no part of the claimed design.

1 Claim, 3 Drawing Sheets



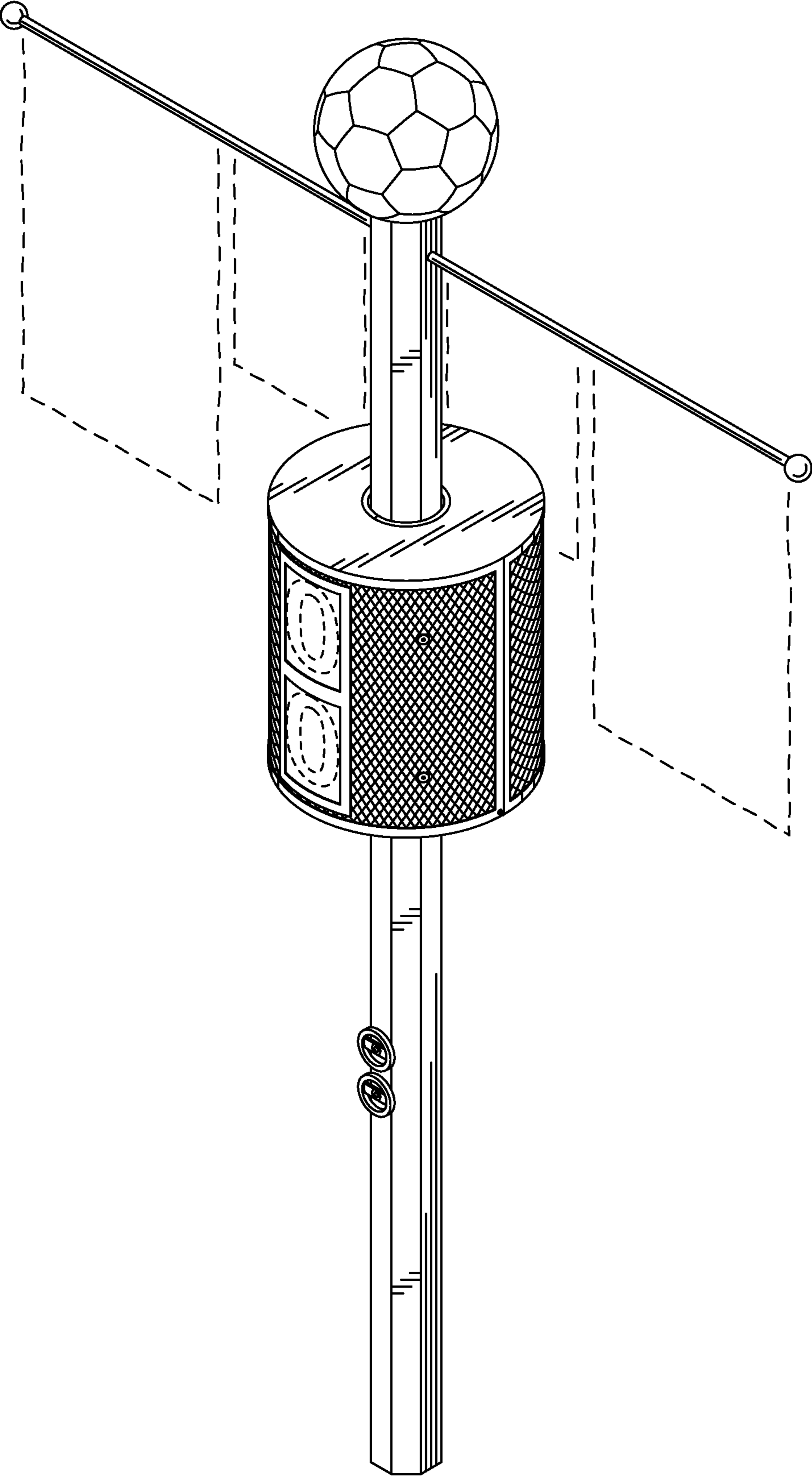


FIG. 1

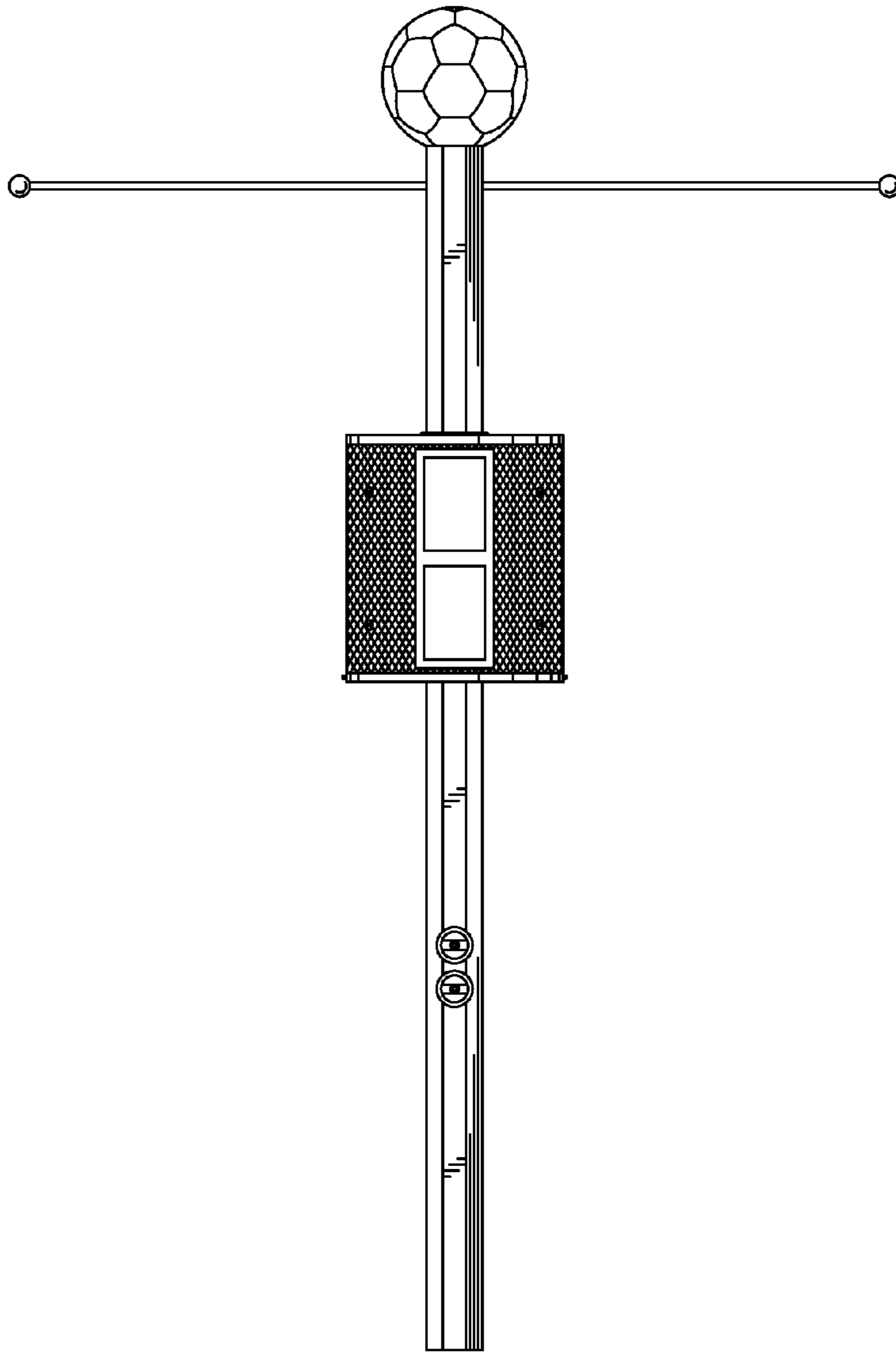


FIG. 2

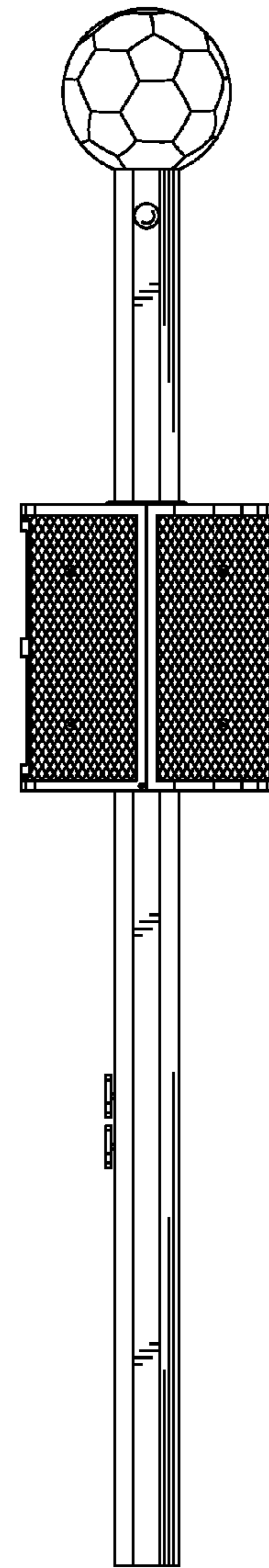


FIG. 3

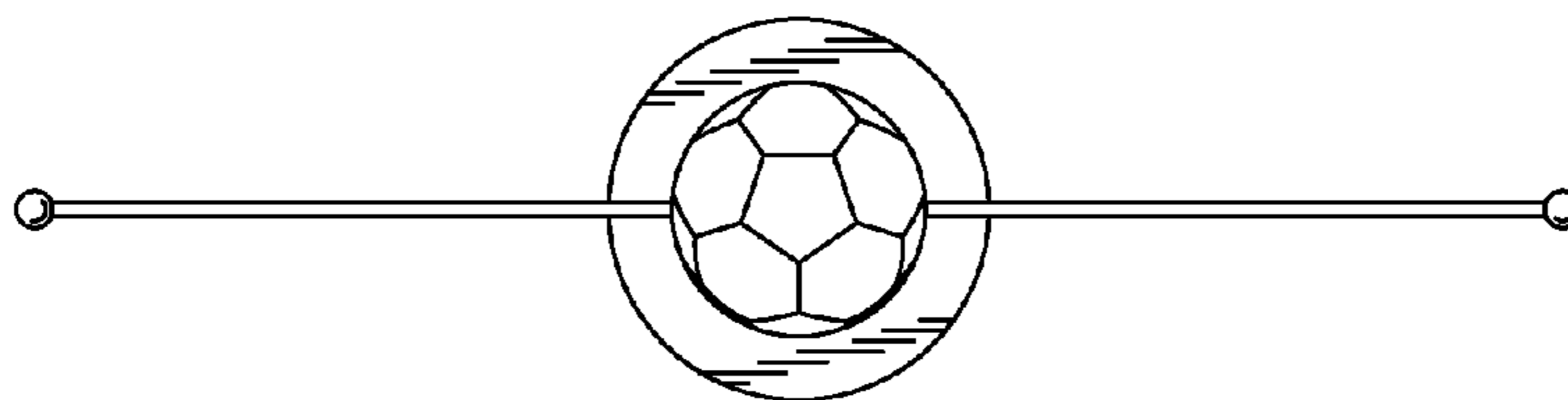


FIG. 4

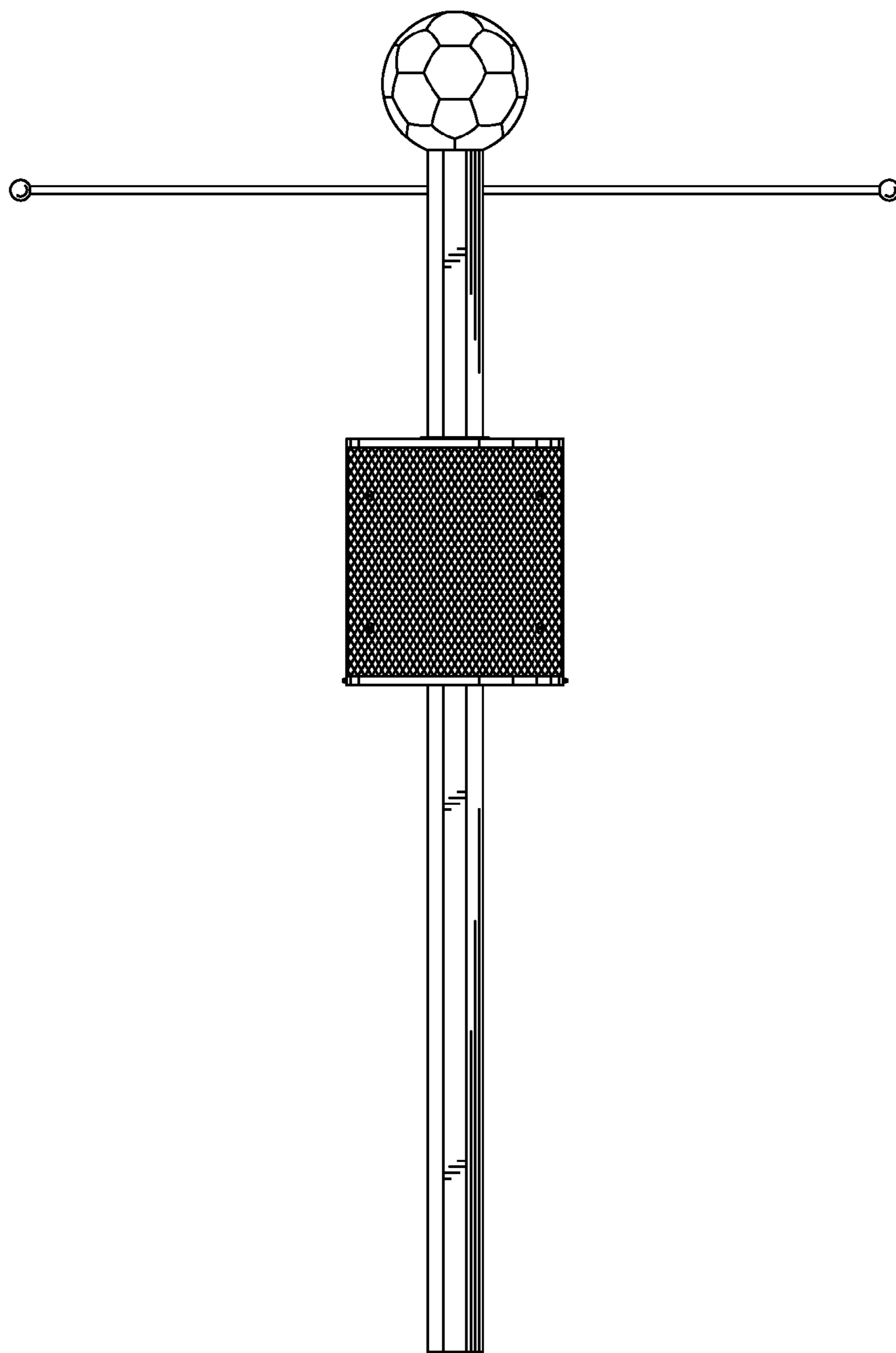


FIG. 5

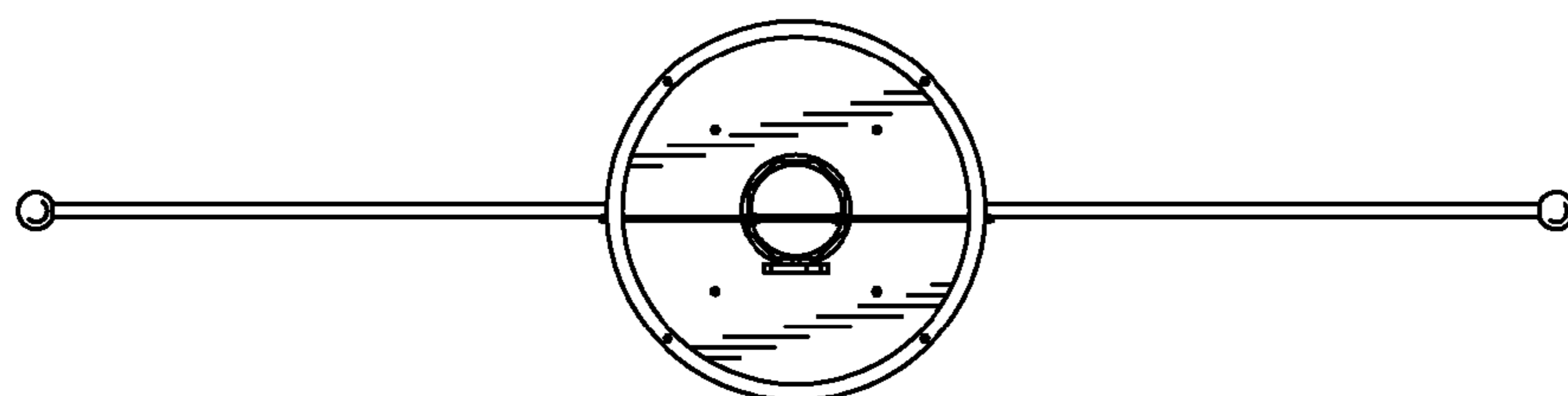


FIG. 6