



US00D615418S

(12) **United States Design Patent**
Criss et al.

(10) **Patent No.:** **US D615,418 S**

(45) **Date of Patent:** **** May 11, 2010**

(54) **PACKAGING CONTAINER WITH SURFACE ORNAMENTATION**

(75) Inventors: **Susan Elaine Criss**, Maineville, OH (US); **Jason Alan Born**, Loveland, OH (US); **Deborah M. Doan**, Mason, OH (US)

(73) Assignee: **The Procter & Gamble Company**, Cincinnati, OH (US)

(**) Term: **14 Years**

(21) Appl. No.: **29/301,798**

(22) Filed: **Mar. 17, 2008**

(51) **LOC (9) Cl.** **09-05**

(52) **U.S. Cl.** **D9/711**

(58) **Field of Classification Search** D9/643, D9/707, 713, 703, 711, 720, 414, 416, 418, D9/424-426, 430, 432, 433; 206/457, 822; 220/890; 229/116.1, 87.05, 87.01, 87.19, 229/87.15, 92, 92.1, 92.7; 215/400; 383/109
See application file for complete search history.

(56) **References Cited**

U.S. PATENT DOCUMENTS

D4,875 S *	5/1871	Diete	D9/713
D53,723 S *	8/1919	Wilkins	D9/713
D83,245 S *	2/1931	Boyer	D9/713
D84,965 S *	8/1931	Walters	D9/713
D103,446 S *	3/1937	Amend	D9/705
D161,965 S *	2/1951	Rones	D9/705
D203,627 S *	2/1966	Tamarin	D9/713
D356,731 S *	3/1995	Nakaizumi	D9/713
D558,588 S *	1/2008	Lee	D9/707
D600,566 S *	9/2009	Ho et al.	D9/643

* cited by examiner

Primary Examiner—Caron Veynar

Assistant Examiner—Abraham Bahta

(74) *Attorney, Agent, or Firm*—Cynthia L. Clay; Kelly L. McDow; Karen F. Clark

(57) **CLAIM**

The ornamental design for a packaging container with surface ornamentation, as shown and described.

DESCRIPTION

The present application file contains at least one drawing executed in color. Copies of this patent or patent application publication with color drawing(s) will be provided by the Office upon request and payment of the necessary fee.

FIG. 1 is a perspective view of a first embodiment of the packaging container with surface ornamentation showing our new design;

FIG. 2 is a front view thereof;

FIG. 3 is a rear view thereof;

FIG. 4 is a top view thereof, the bottom view thereof being a mirror image thereof;

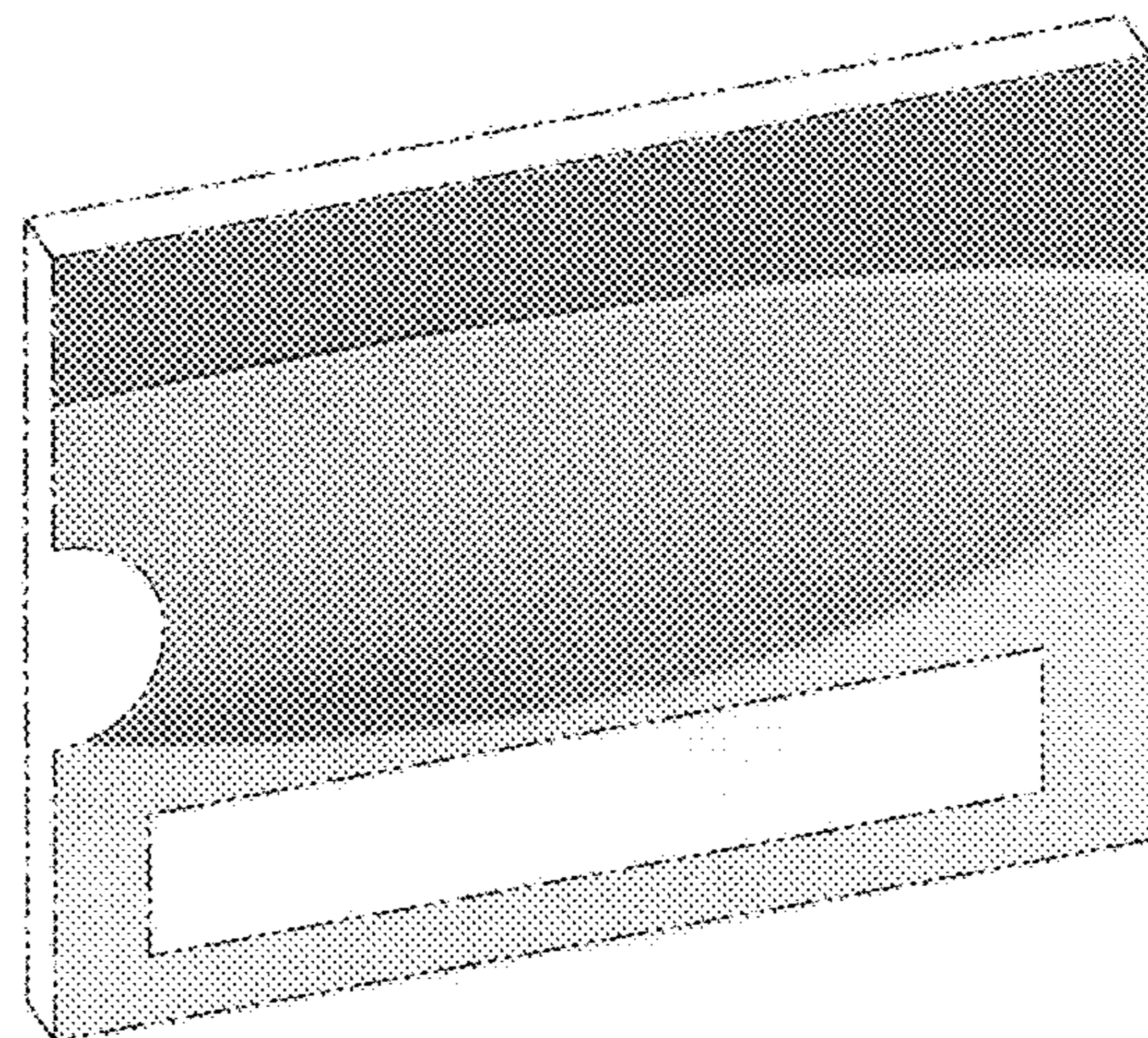
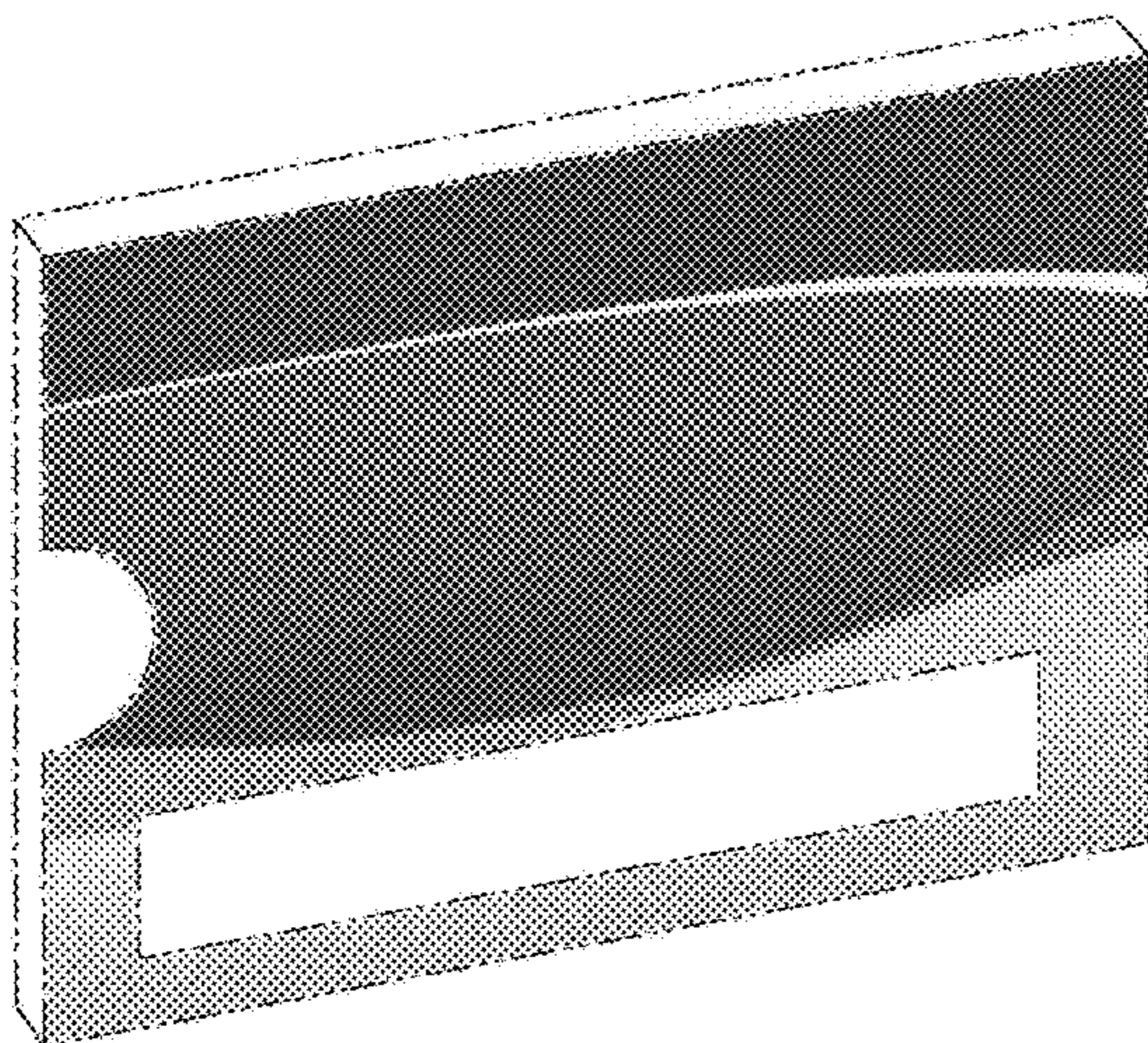
FIG. 5 is a right side view thereof, the left side view thereof being a mirror image thereof;

FIG. 6 is a perspective view of a second embodiment of the packaging container with surface ornamentation; and,

FIG. 7 is a front view thereof.

The broken line showing of portions of the packaging container with surface ornamentation is included for the purpose of illustrating environmental structure and forms no part of the claimed design.

1 Claim, 4 Drawing Sheets
(3 of 4 Drawing Sheet(s) Filed in Color)



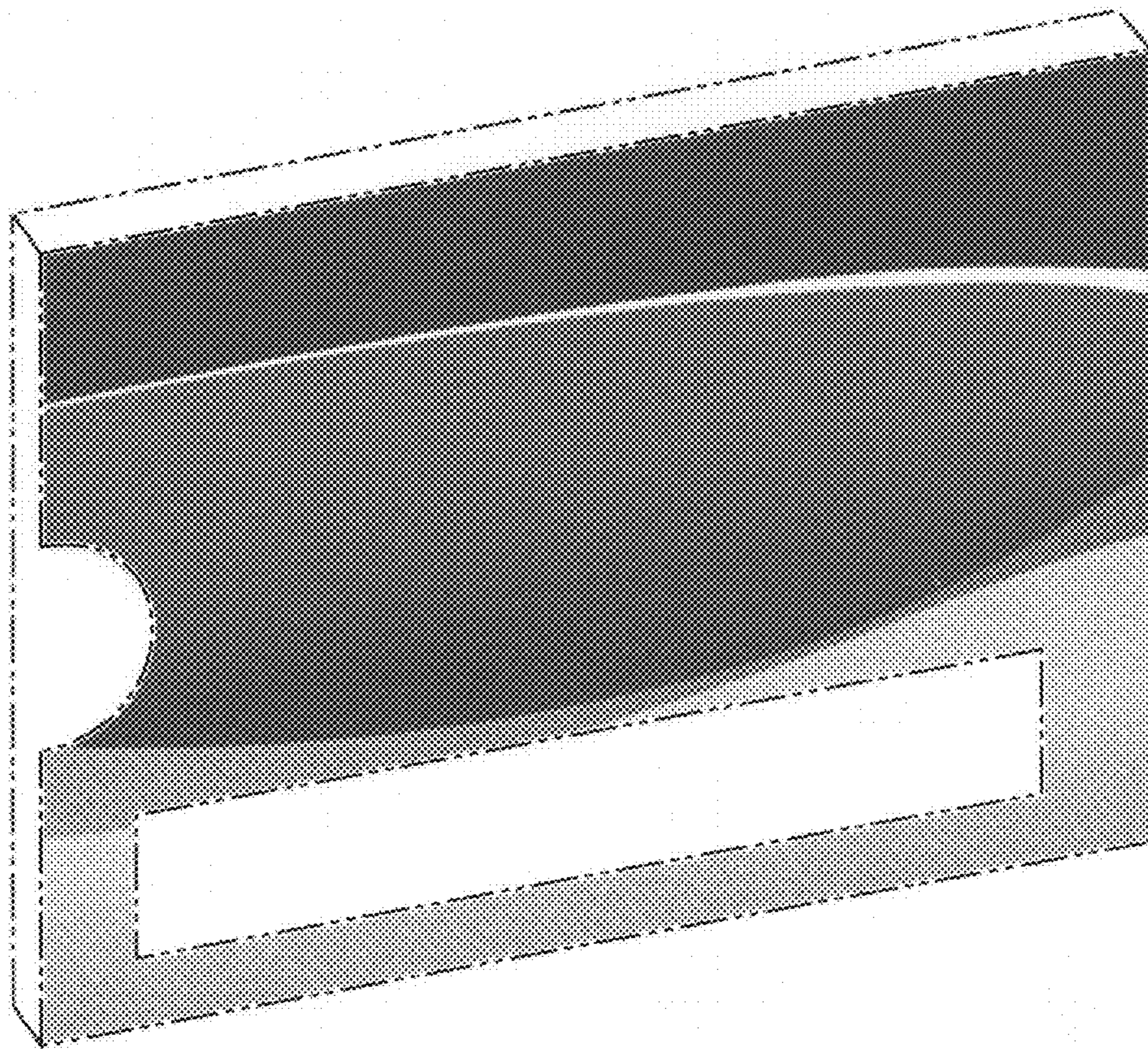


Fig. 1

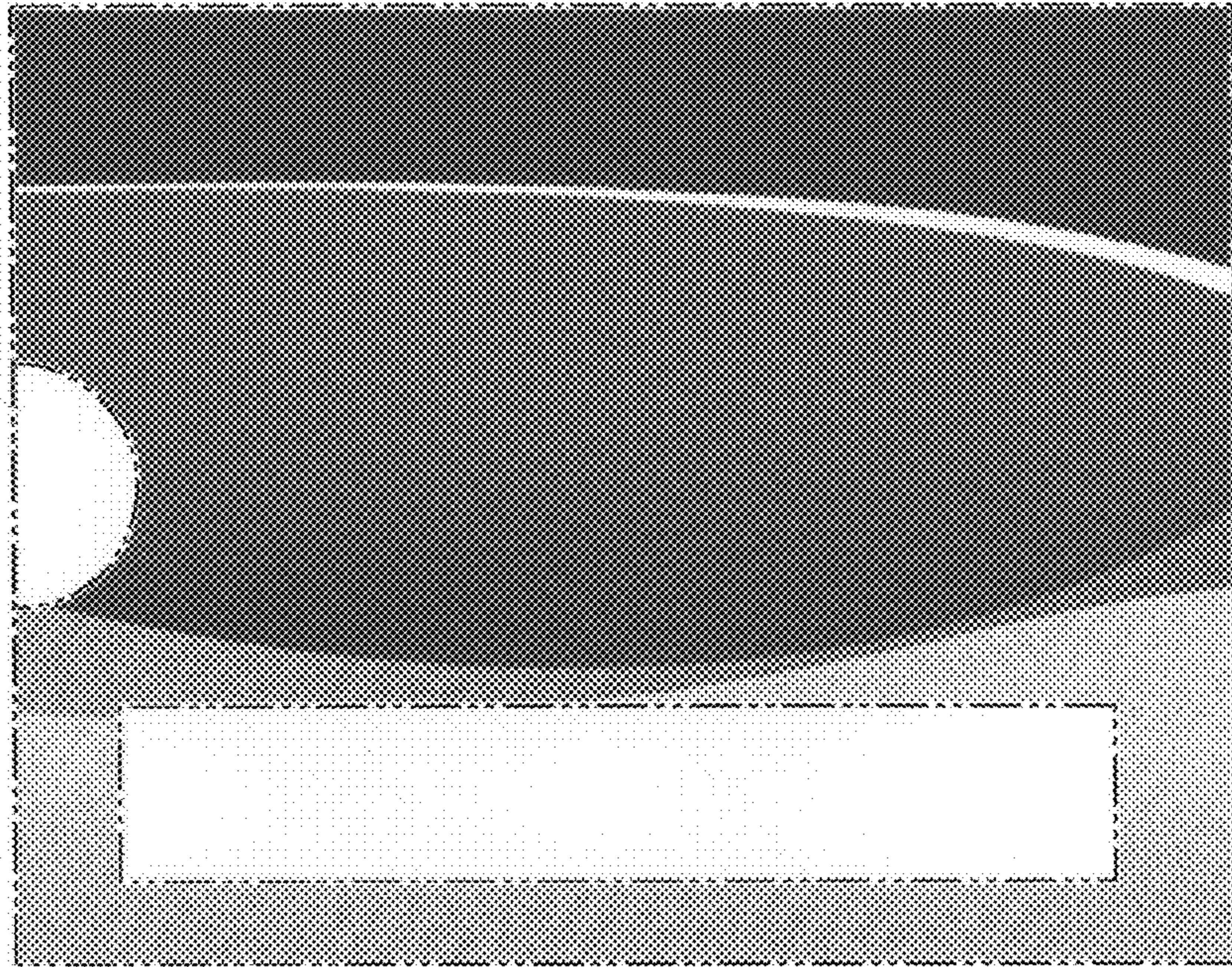


Fig. 2

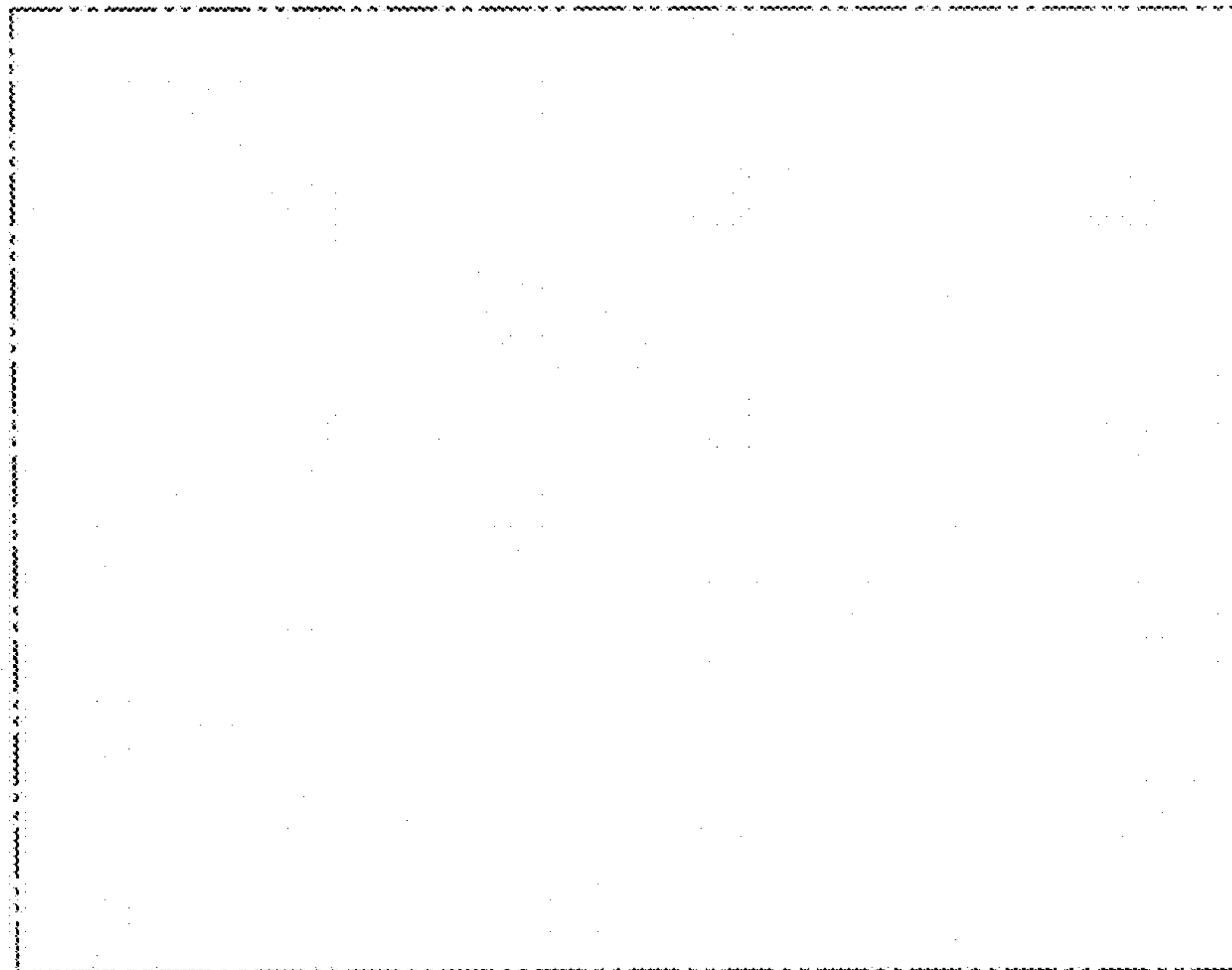


Fig. 3



Fig. 4

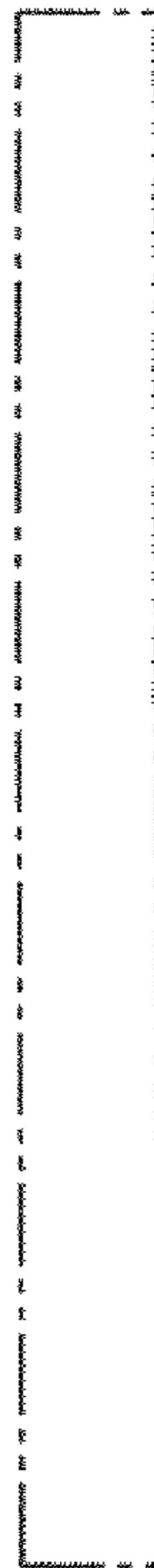


Fig. 5

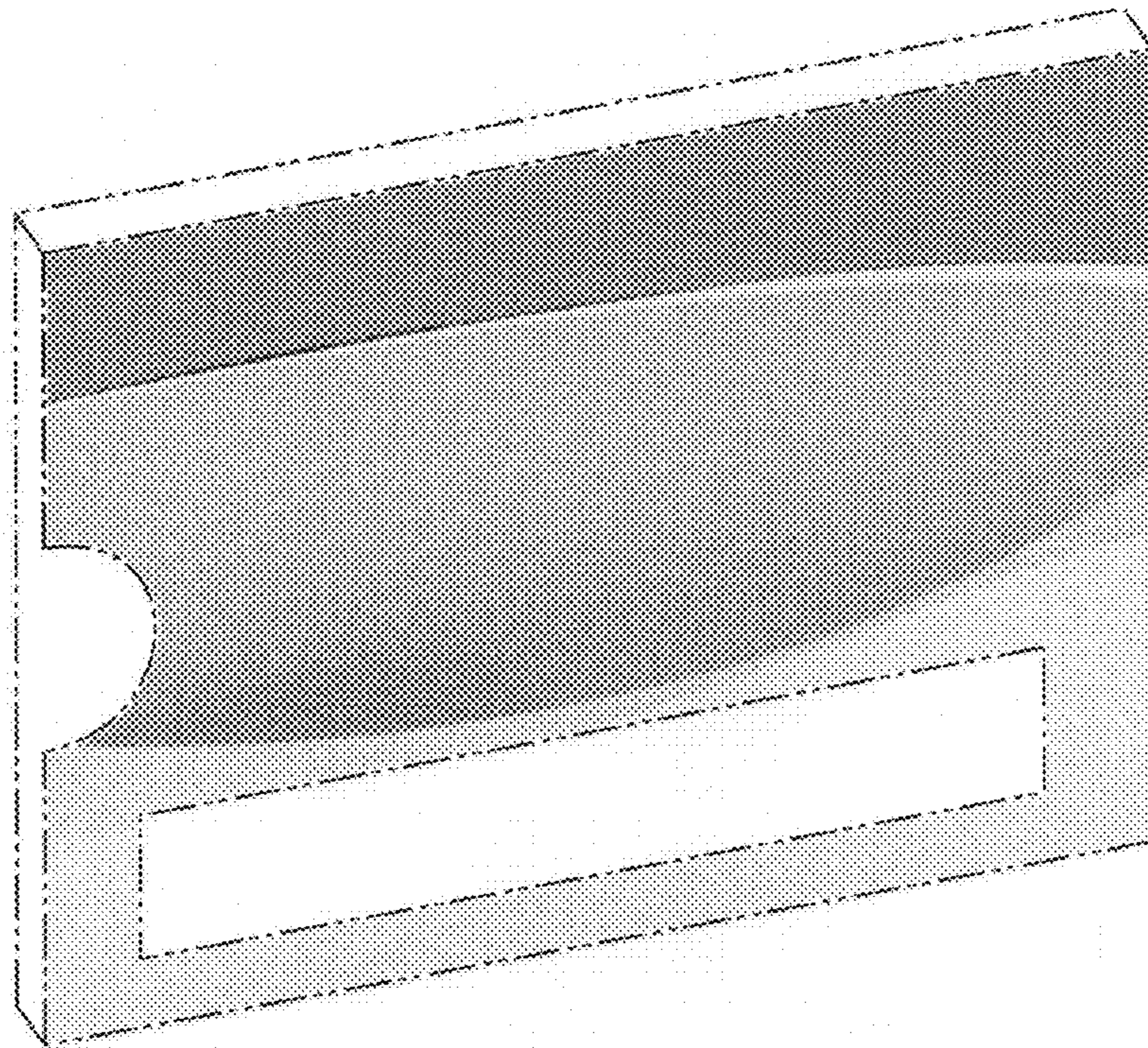


Fig. 6

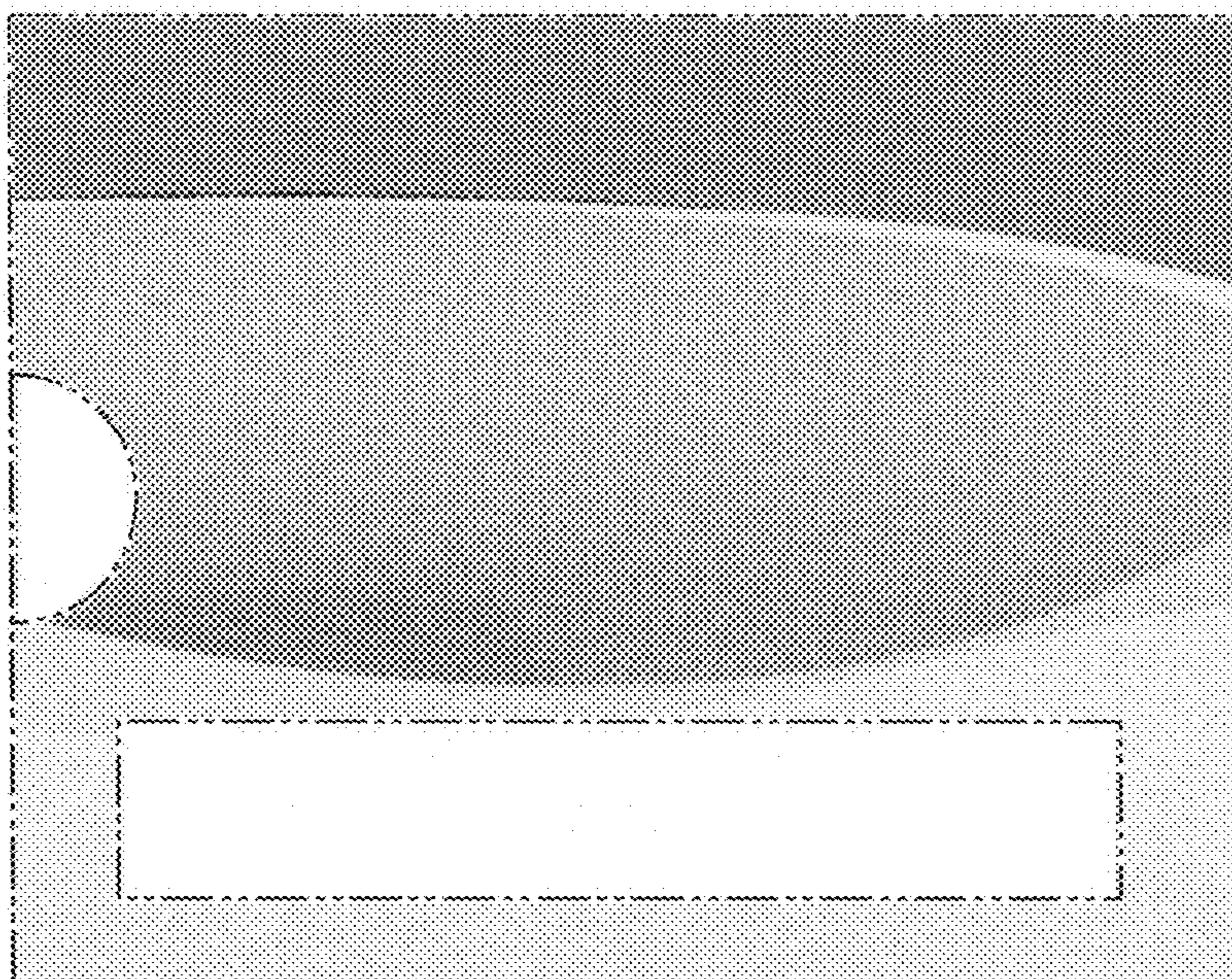


Fig. 7