



US00D615414S

(12) **United States Design Patent**
Barr et al.

(10) **Patent No.:** **US D615,414 S**
(45) **Date of Patent:** **** May 11, 2010**

(54) **BOTTLE WITH CAP**

(75) Inventors: **Shimi Barr**, London (GB); **Adrian Barclay Caroan**, London (GB); **Tanja Ingrid Langgner**, London (GB)

(73) Assignee: **Conopco, Inc.**, Englewood Cliffs, NJ (US)

(**) Term: **14 Years**

(21) Appl. No.: **29/334,948**

(22) Filed: **Apr. 6, 2009**

(30) **Foreign Application Priority Data**

Oct. 9, 2008 (GB) 4009131

(51) **LOC (9) Cl.** **09-01**

(52) **U.S. Cl.** **D9/538; D9/503; D9/520; D9/553**

(58) **Field of Classification Search** D9/600–681, D9/682–694, 719, 723–729, 772–777, 500–505, D9/516–575, 414–417, 428, 429, 434–454; 215/298, 305, 379, 381–384; 220/793, 805, 220/359.2, 669–675

See application file for complete search history.

(56) **References Cited**

U.S. PATENT DOCUMENTS

D23,380 S * 6/1894 Juhring D9/500
D33,326 S * 10/1900 McGuire D9/502
D180,916 S * 9/1957 Perlman D9/663
D227,556 S * 7/1973 Bagguley et al. D9/776
D242,020 S * 10/1976 Kretz D9/500

D242,527 S * 11/1976 Plummer D9/500
5,197,618 A * 3/1993 Goth 215/232
6,472,007 B2 * 10/2002 Bezek et al. 426/115
D490,708 S * 6/2004 Lown D9/438
D513,475 S * 1/2006 Sheffler et al. D9/502
D513,585 S * 1/2006 Biesecker et al. D9/449
D582,773 S * 12/2008 Klemm et al. D9/500

OTHER PUBLICATIONS

Co-Pending Application—Barr et al.; U.S. Appl. No. 29/334,947; filed Apr. 6, 2009; Entitled: Bottle.

* cited by examiner

Primary Examiner—Catherine Tuttle

(74) *Attorney, Agent, or Firm*—Milton L. Honig

(57) **CLAIM**

The ornamental design for a bottle with cap, as shown and described.

DESCRIPTION

FIG. 1 is a front perspective view of the bottle with cap showing our new design;

FIG. 2 is a front elevational view thereof;

FIG. 3 is a back elevational view thereof;

FIG. 4 is a right side elevational view thereof;

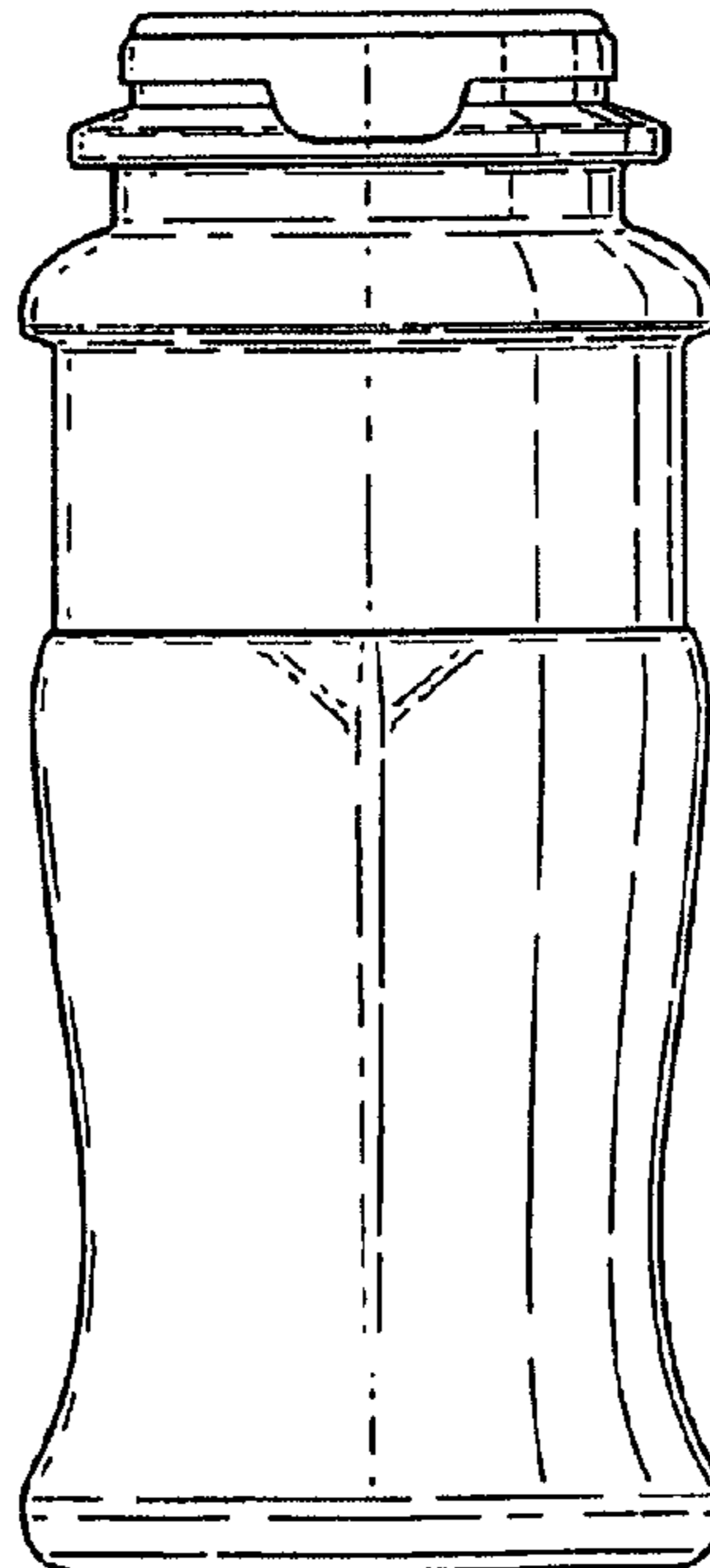
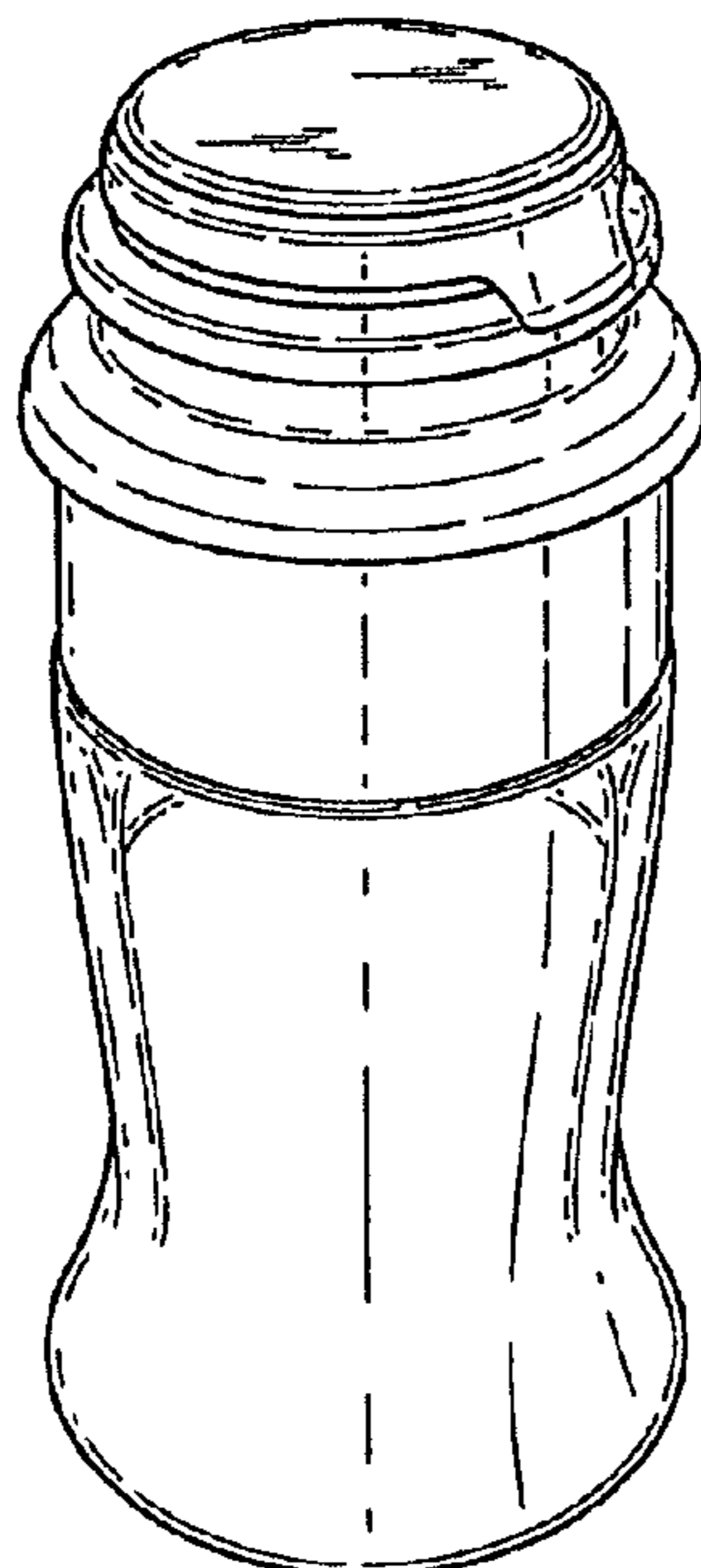
FIG. 5 is a left side elevational view thereof;

FIG. 6 is a top plan view thereof; and,

FIG. 7 is a bottom plan view thereof.

The broken line showing is for illustrative purposes only and forms no part of the claimed design.

1 Claim, 2 Drawing Sheets



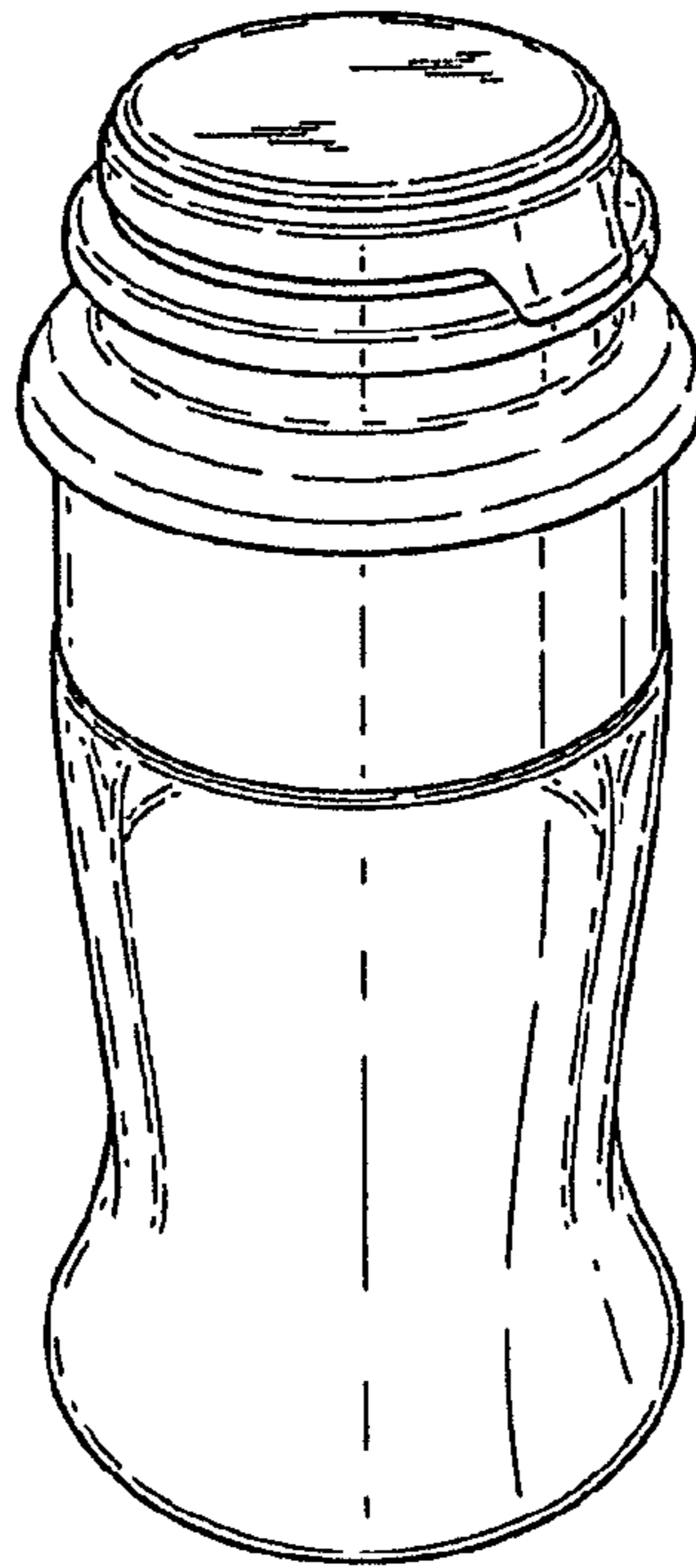


Fig.1.

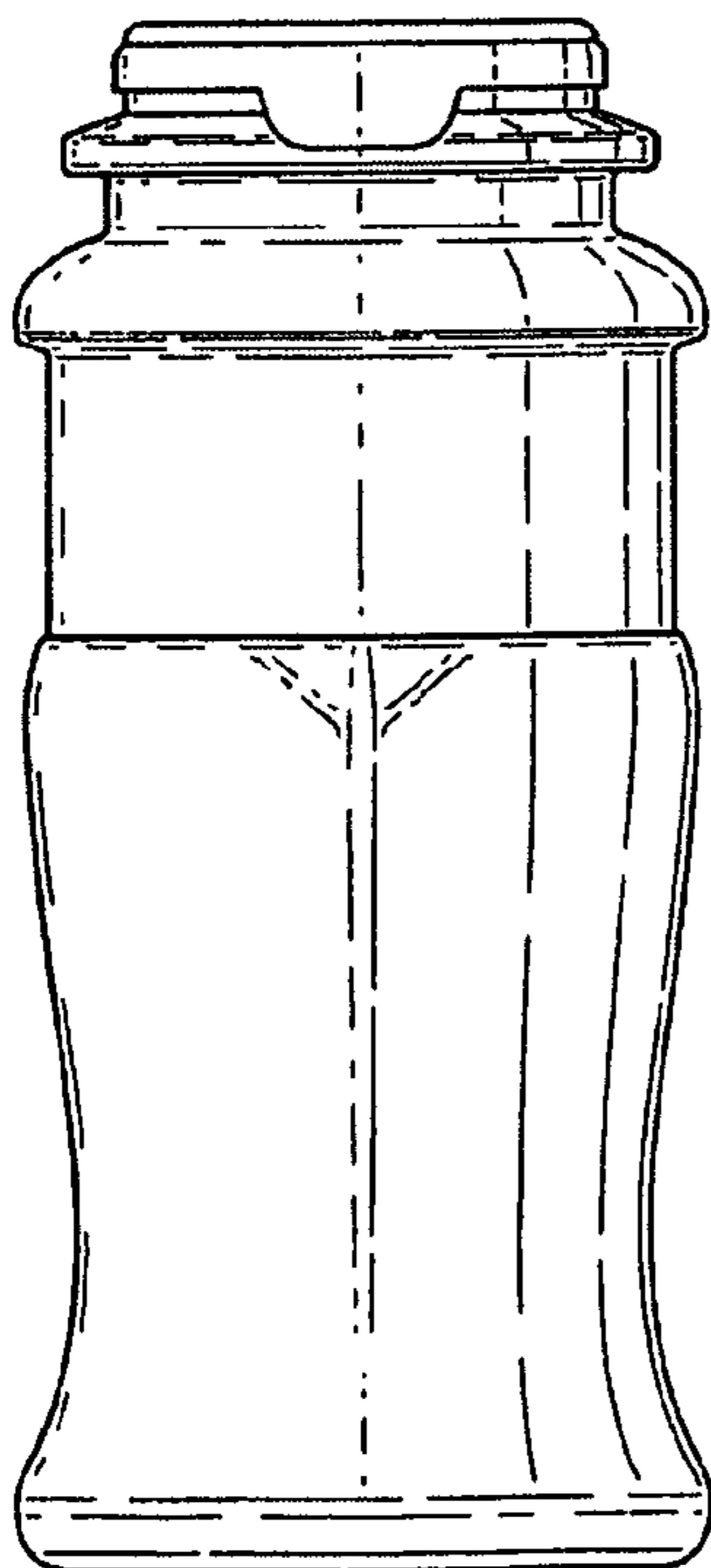


Fig.2.

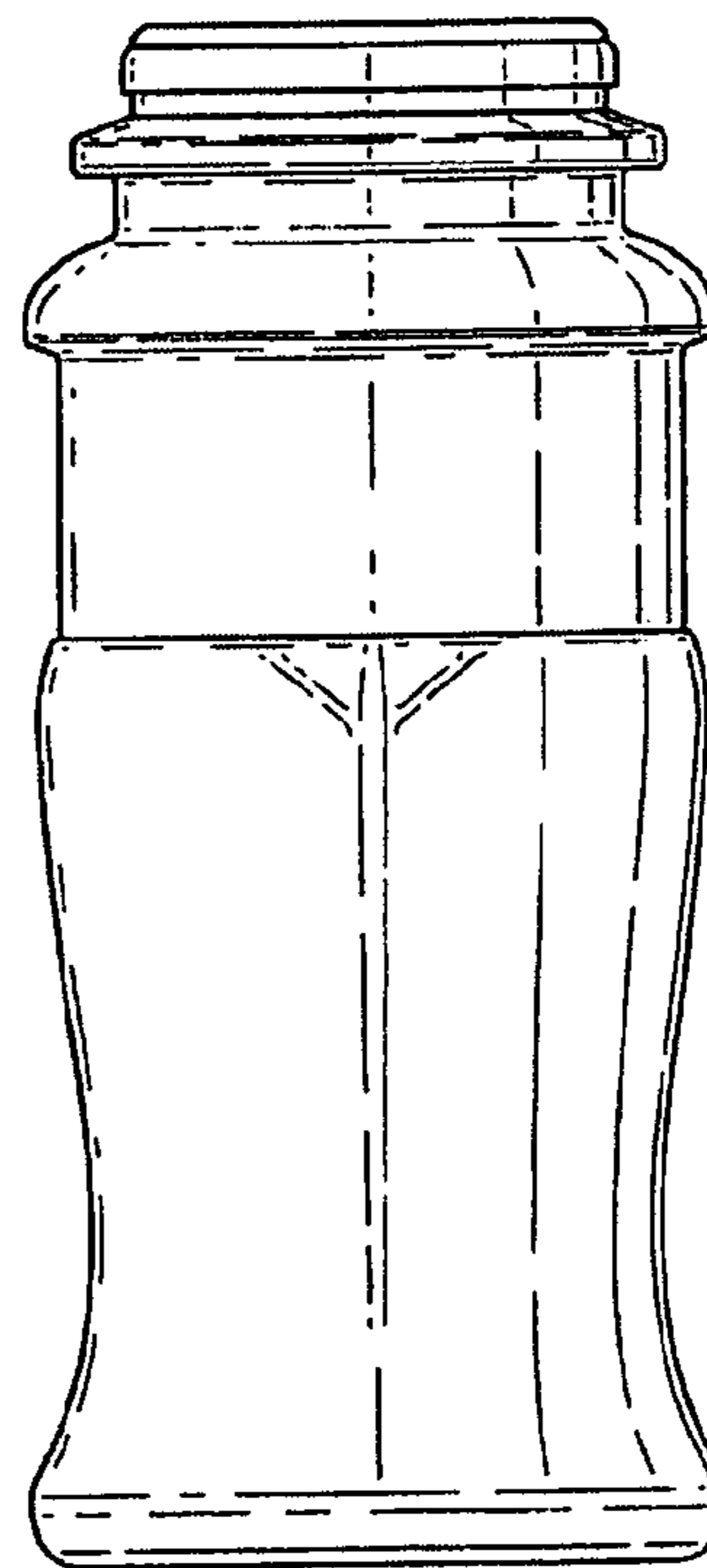


Fig.3.

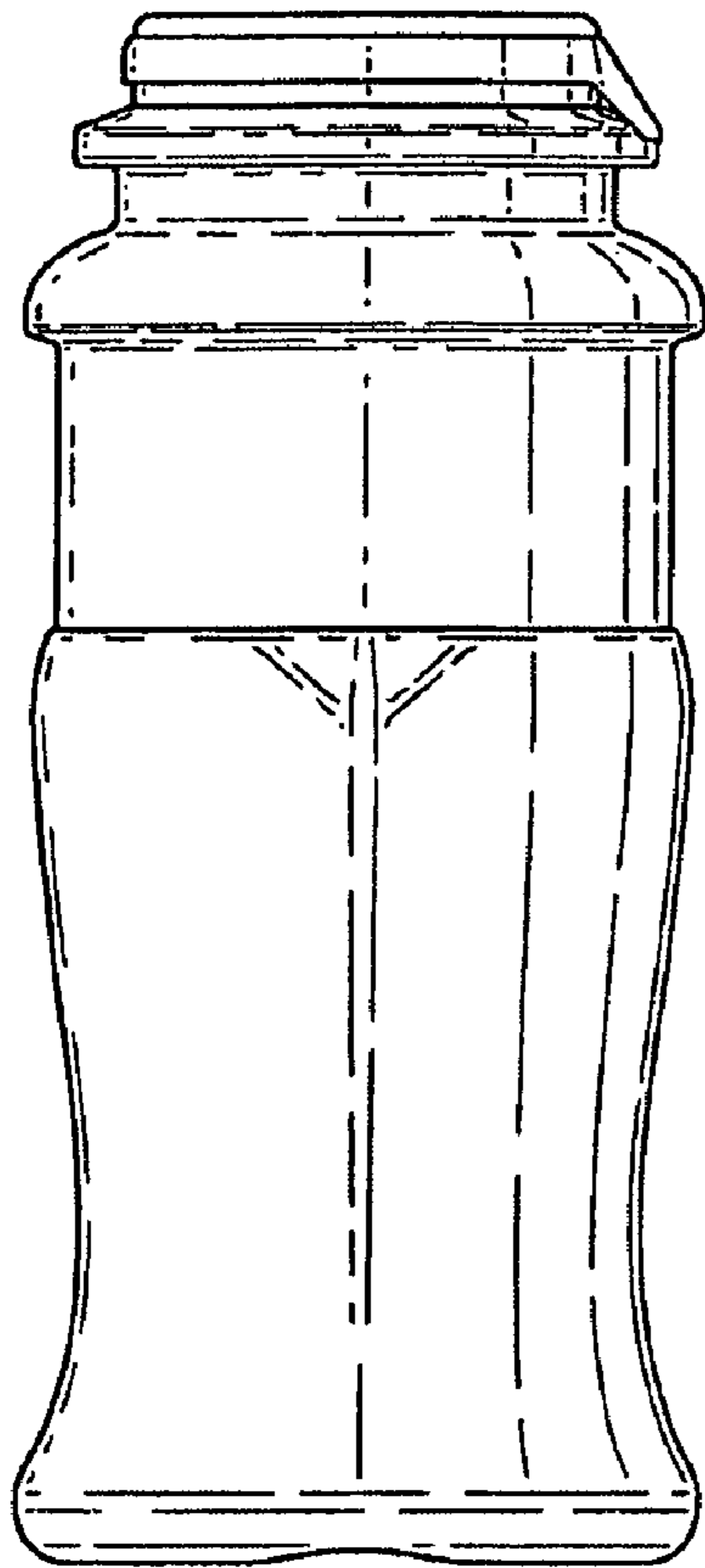


Fig.4.

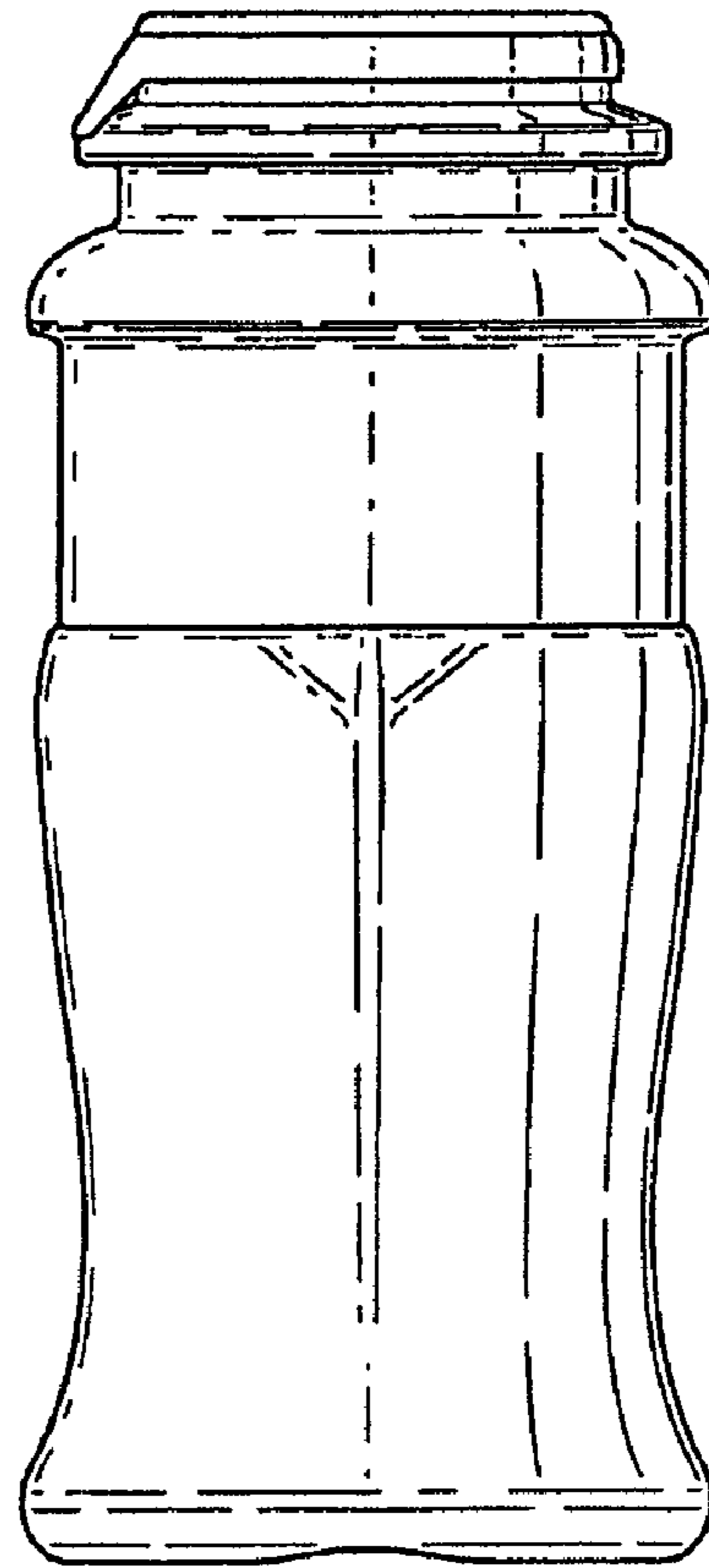


Fig.5.

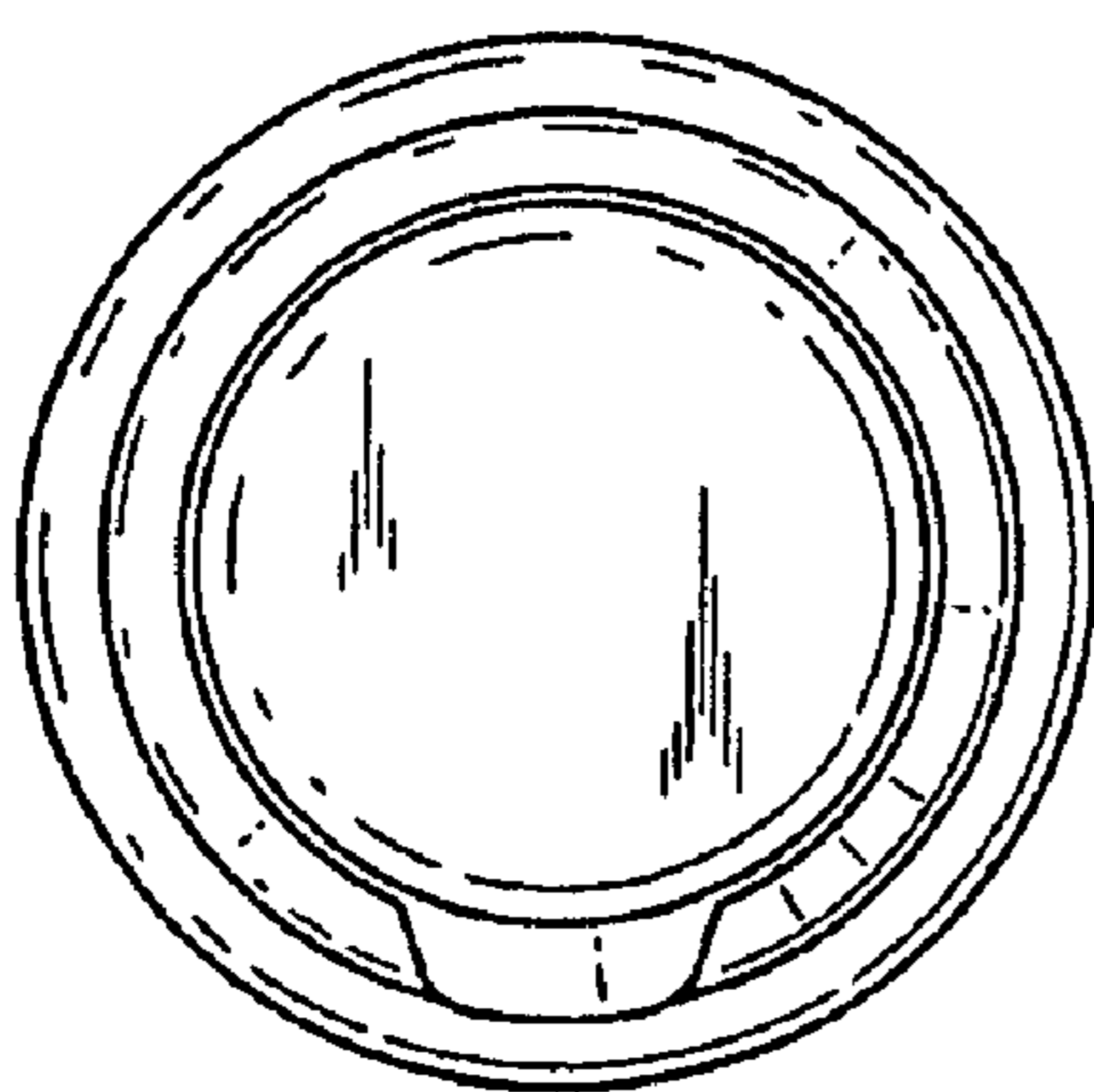


Fig.6.

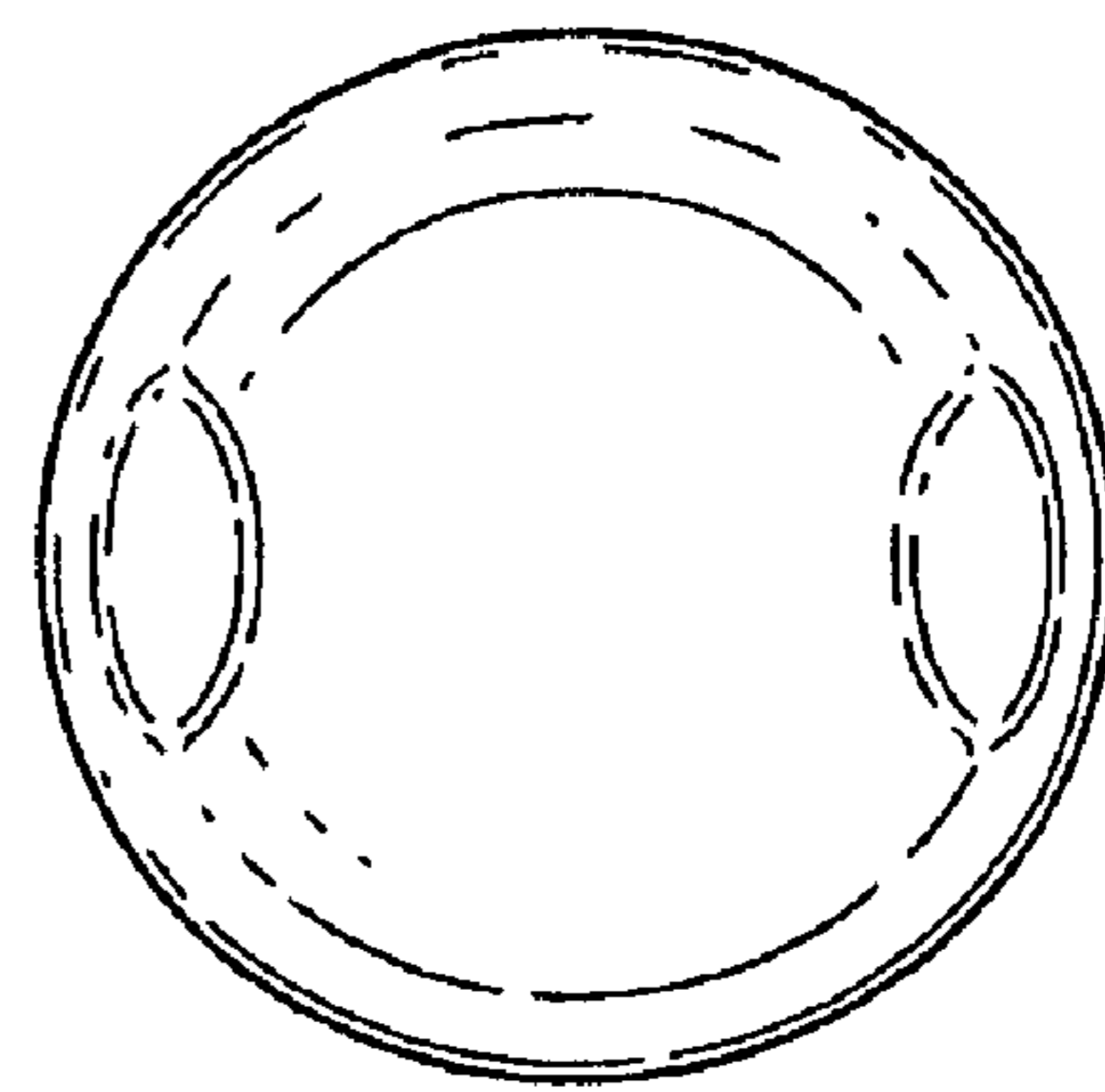


Fig.7.