



US00D615402S

(12) **United States Design Patent**
Doster

(10) **Patent No.:** **US D615,402 S**
(45) **Date of Patent:** **** May 11, 2010**

(54) **I-CARD**
(75) Inventor: **Gary A. Doster**, Orchard Park, NY (US)
(73) Assignee: **Zippo Manufacturing Company**,
Bradford, PA (US)
(**) Term: **14 Years**
(21) Appl. No.: **29/331,831**
(22) Filed: **Feb. 2, 2009**

5,819,942 A 10/1998 Sadow
6,065,470 A * 5/2000 Van Cromvoirt
et al. 128/200.24
D447,054 S * 8/2001 Hill D9/434
D451,016 S * 11/2001 Dittmar D9/415
6,659,271 B2 12/2003 Parsons
6,675,973 B1 1/2004 McDonald et al.
7,163,152 B2 1/2007 Osborn et al.
D545,675 S * 7/2007 Liebers D9/434
D548,070 S 8/2007 Swain
D549,590 S 8/2007 Mauerhan et al.
7,354,421 B2 * 4/2008 Bierman 604/174

(51) **LOC (9) Cl.** **09-03**
(52) **U.S. Cl.** **D9/457; D20/22; D9/415**
(58) **Field of Classification Search** D9/624,
D9/457, 456, 447, 446, 435, 434, 433, 432,
D9/425, 424, 418, 415, 414; D7/392, 392.1;
D3/201; D20/28, 22; 229/313, 225, 222,
229/212, 209, 208, 149; 206/728
See application file for complete search history.

* cited by examiner

Primary Examiner—Susan Bennett Hattan
(74) *Attorney, Agent, or Firm*—Baker & McKenzie LLP

(57) **CLAIM**

The ornamental design for an I-card, as illustrated and described.

(56) **References Cited**

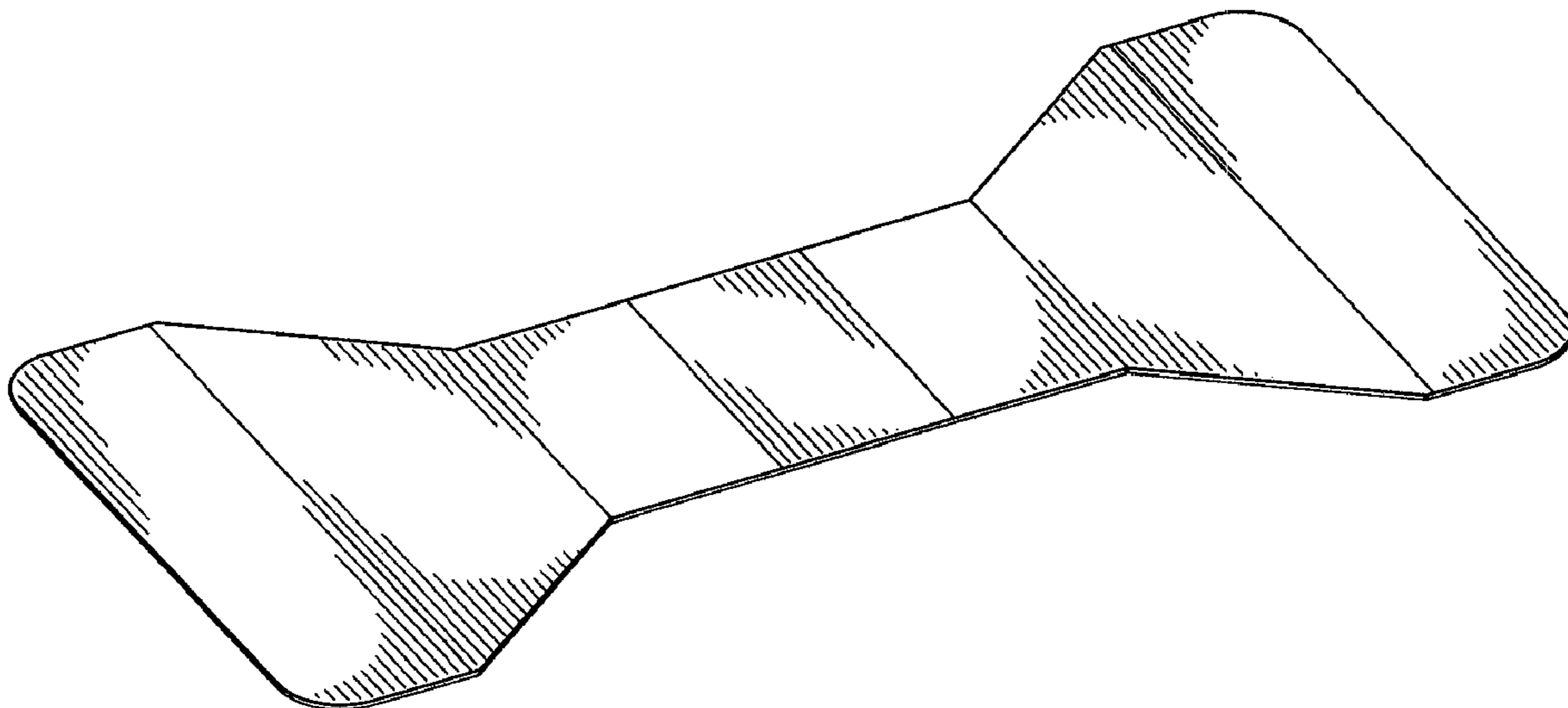
U.S. PATENT DOCUMENTS

D5,413 S * 12/1871 Hall D9/457
D29,593 S * 11/1898 Datz D9/433
D29,644 S * 11/1898 Davidson D9/433
1,666,001 A 4/1928 Catala
2,657,793 A 11/1953 Goldshine
2,932,439 A 4/1960 Sparling
4,320,829 A 3/1982 DiMarzio et al.
D264,817 S * 6/1982 Austin D9/433
5,024,328 A 6/1991 Bontrager
5,197,599 A 3/1993 Dolan
D364,922 S * 12/1995 Bierman D24/128
D379,513 S * 5/1997 Ierulli D24/135

DESCRIPTION

FIG. 1 is a perspective view of the I-card in accordance with my design shown in a flat position;
FIG. 2 is a top view of the I-card shown in FIG. 1; the opposite view being a mirror image thereof;
FIG. 3 is a front view of the I-card shown in FIGS. 1–2; the opposite view being a mirror image thereof;
FIG. 4 is a side view of the I-card shown in FIGS. 1–3; the opposite view being a mirror image thereof; and,
FIG. 5 is a perspective view of the I-card shown in FIGS. 1–4 shown in a folded position.

1 Claim, 2 Drawing Sheets



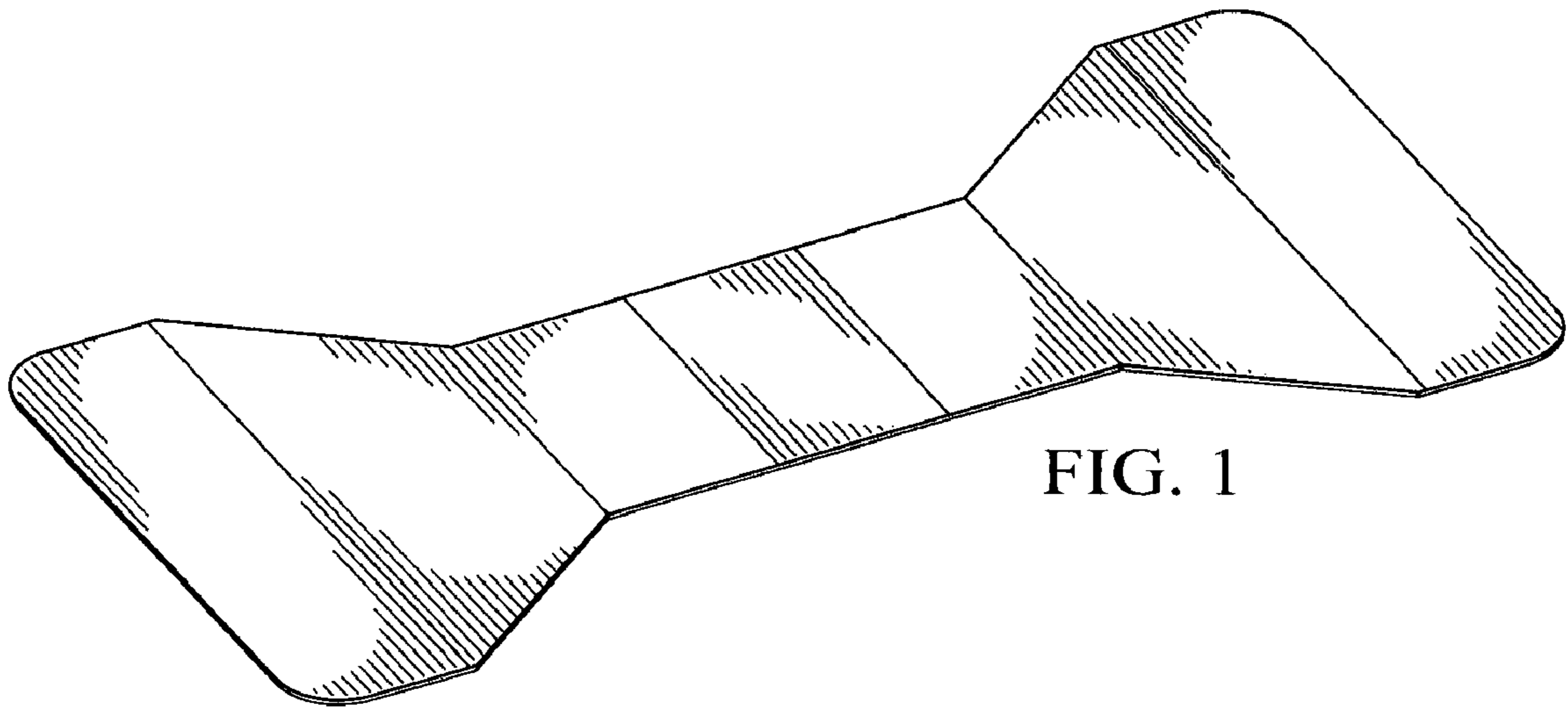


FIG. 1

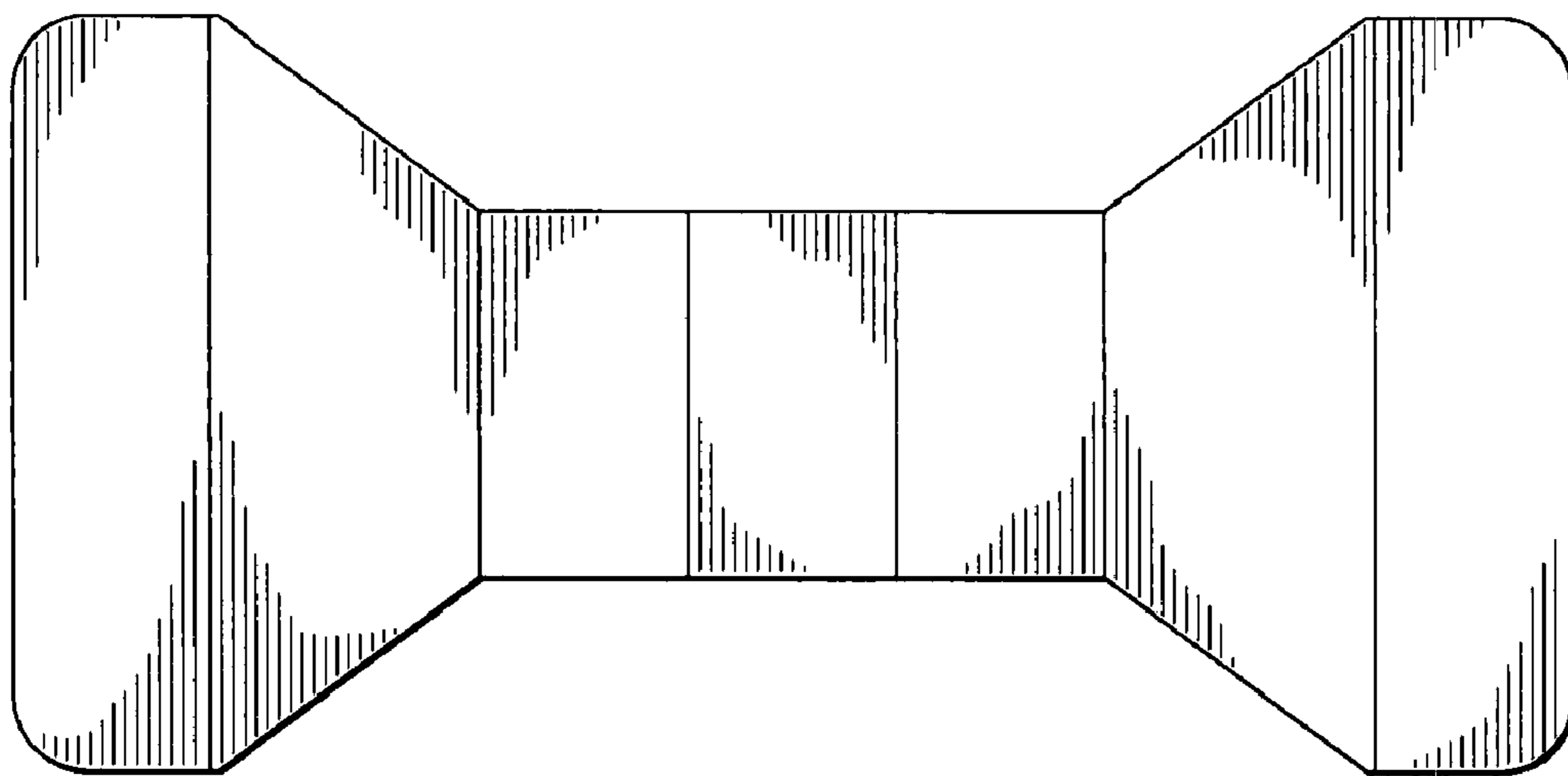


FIG. 2



FIG. 3



FIG. 4

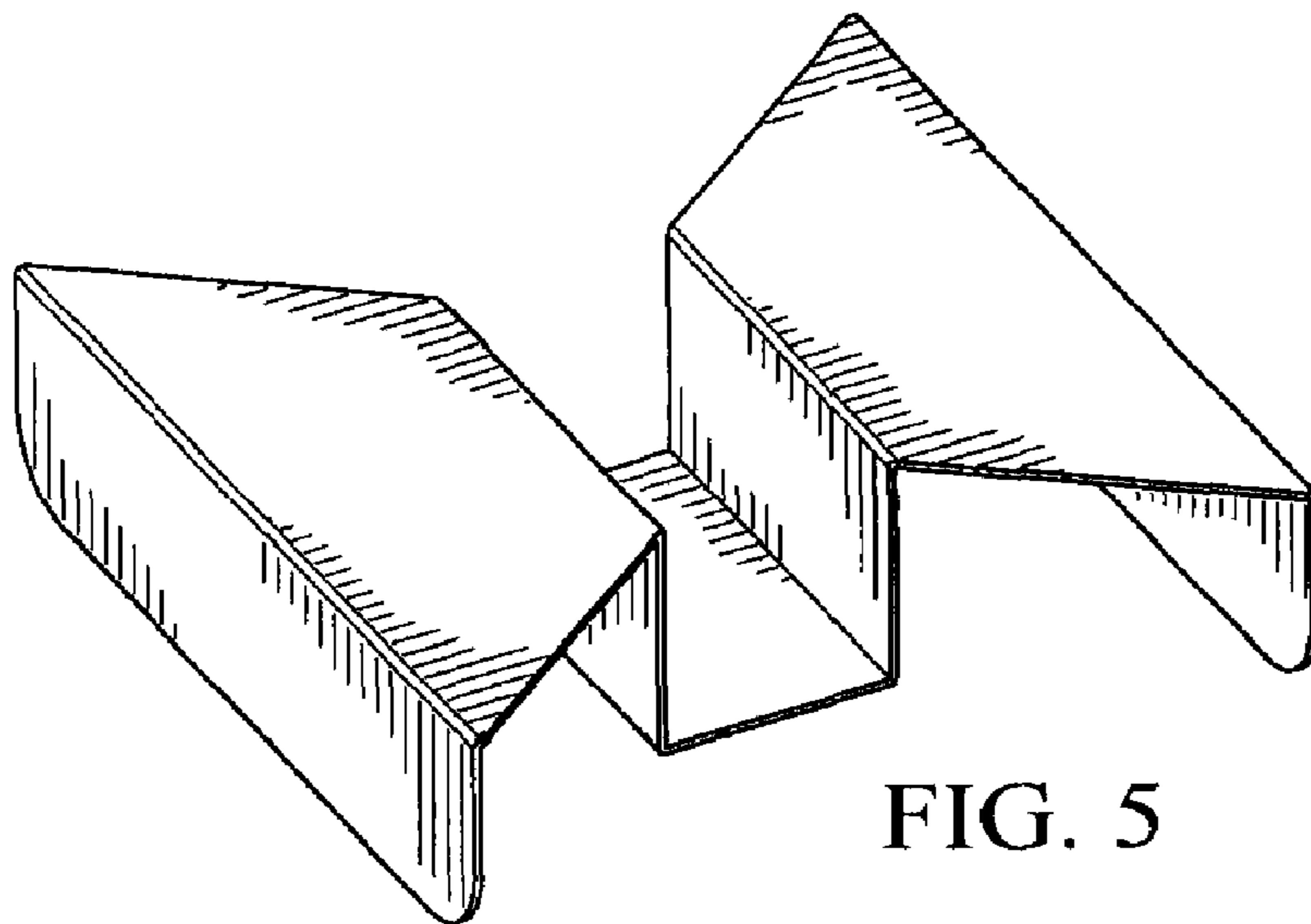


FIG. 5