



US00D615401S

(12) **United States Design Patent**
Ouimette et al.

(10) **Patent No.:** **US D615,401 S**

(45) **Date of Patent:** **** May 11, 2010**

(54) **HANG CARD**

(75) Inventors: **Jennifer Ouimette**, Morrison, CO (US);
Robert W. Donegan, Sadelia, CO (US);
Joan Jung, Laguna Niguel, CA (US);
Nora Gard, Mission Viejo, CA (US)

(73) Assignee: **Navajo Manufacturing Company Inc.**,
Denver, CO (US)

(**) Term: **14 Years**

(21) Appl. No.: **29/311,609**

(22) Filed: **Apr. 30, 2009**

(51) **LOC (9) Cl.** **09-03**

(52) **U.S. Cl.** **D9/457; D20/22; D9/415**

(58) **Field of Classification Search** D9/624,
D9/457, 456, 447, 446, 435, 434, 433, 432,
D9/425, 424, 418, 415, 414; D7/392, 392.1;
D3/201; D20/28, 22; 229/313, 225, 222,
229/212, 209, 208, 149; 206/728

See application file for complete search history.

(56) **References Cited**

U.S. PATENT DOCUMENTS

2,667,711 A * 2/1954 Anderson 206/493
5,651,481 A * 7/1997 Jensen 222/566
D418,753 S * 1/2000 DuBow D9/440
D438,103 S * 2/2001 Edwards et al. D9/415
D473,787 S * 4/2003 Jones et al. D9/415

D480,300 S * 10/2003 Lee D9/415
D480,638 S * 10/2003 Lee D9/415
D480,964 S * 10/2003 Lee D9/415
6,926,169 B2 * 8/2005 Burato et al. 222/1
D509,727 S * 9/2005 Suckle et al. D9/415
D516,908 S * 3/2006 Burr et al. D9/434
D567,648 S * 4/2008 Novakovich et al. D9/434
D577,442 S * 9/2008 Reed et al. D24/206

* cited by examiner

Primary Examiner—Susan Bennett Hattan

(74) *Attorney, Agent, or Firm*—Jacobson Holman PLLC

(57) **CLAIM**

The ornamental design for a hang card, as shown and described.

DESCRIPTION

FIG. 1 is a perspective view showing our new design for a hang card,

FIG. 2 is a front view thereof,

FIG. 3 is a rear view thereof,

FIG. 4 is a top plan view thereof,

FIG. 5 is a bottom view thereof,

FIG. 6 is a left side view thereof; and,

FIG. 7 is a right side view thereof.

The portions shown in dotted lines are for illustrative purposes only, forming no part of the claimed design.

1 Claim, 5 Drawing Sheets

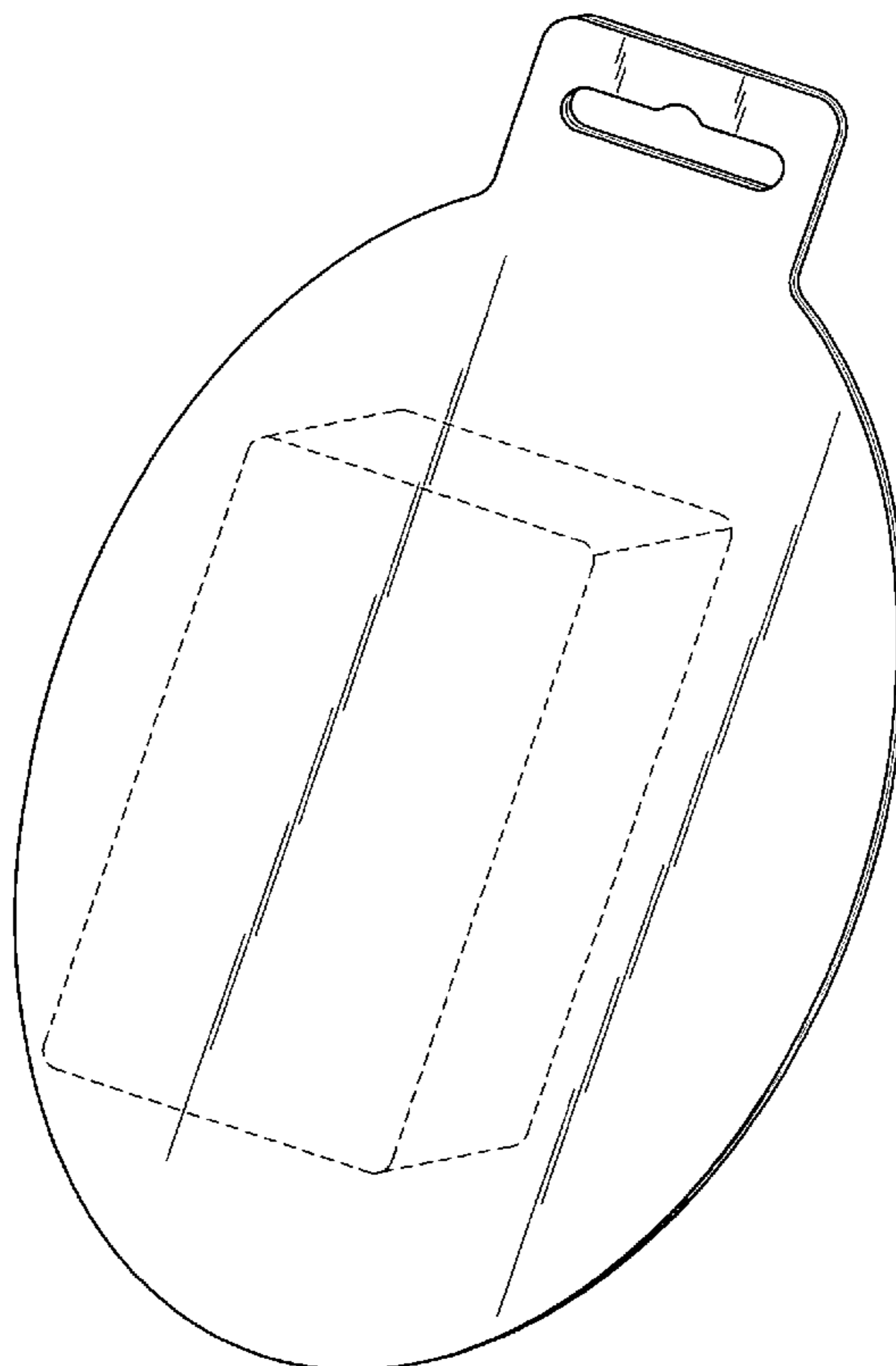


FIG. 1

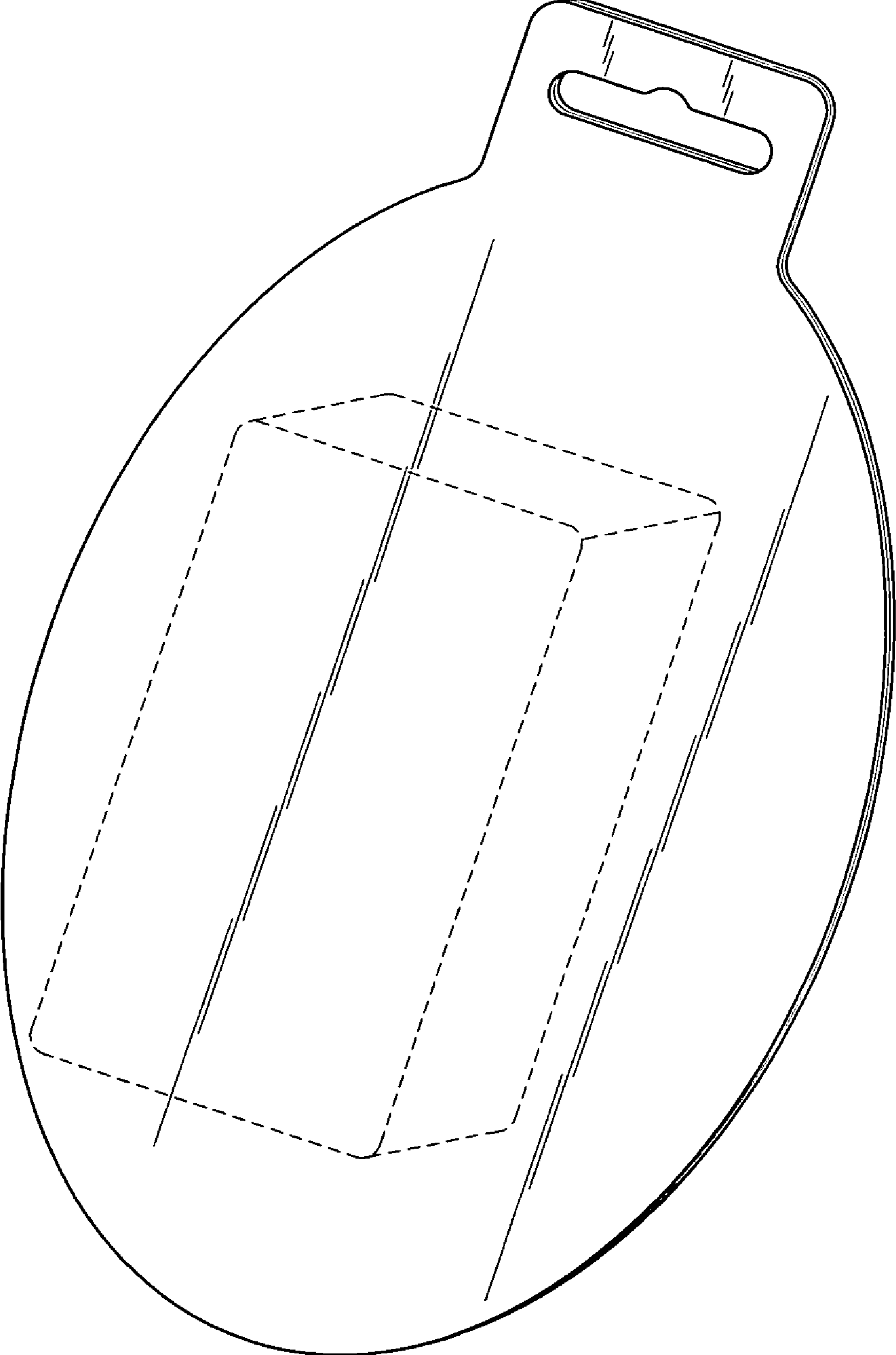


FIG. 2

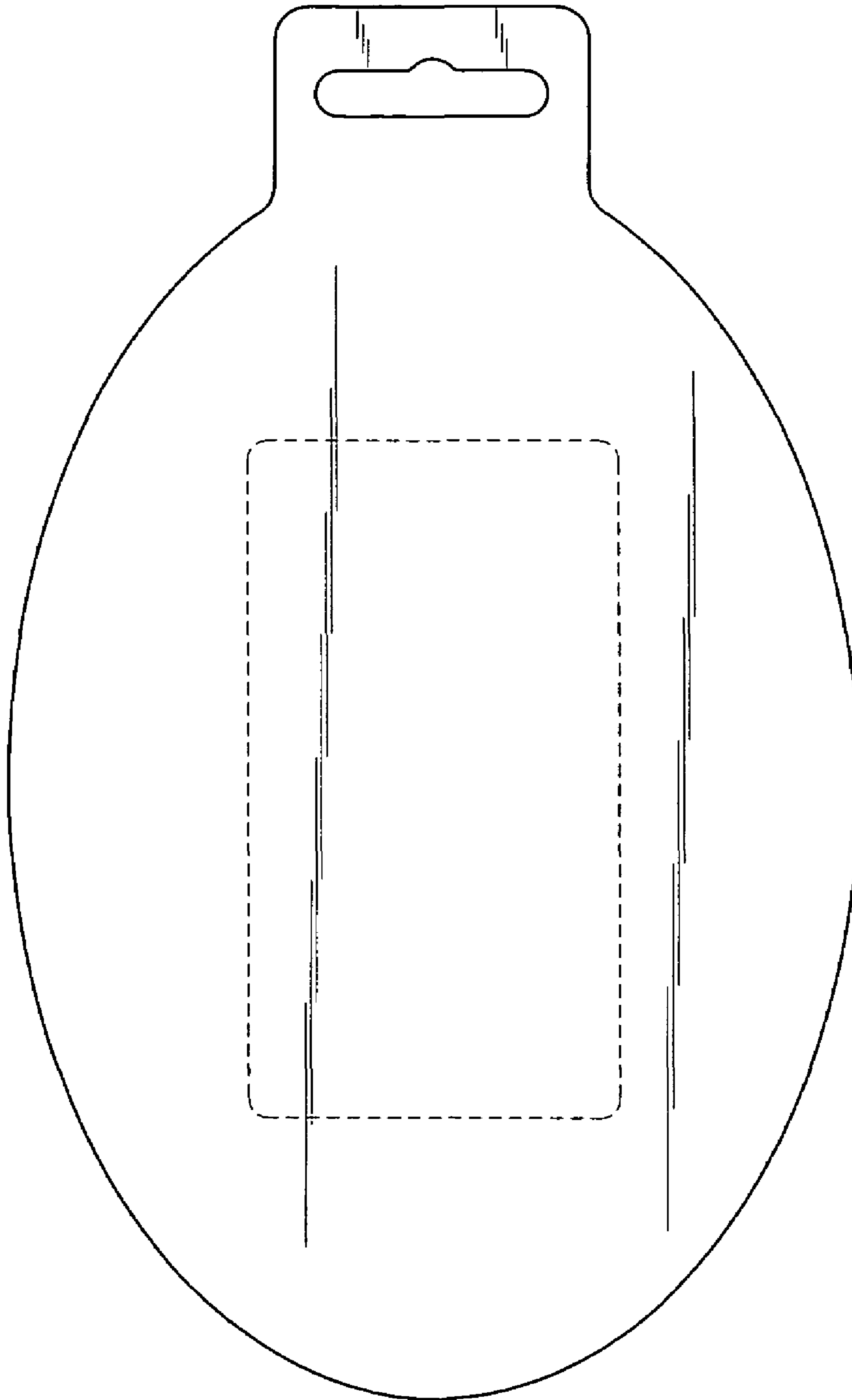


FIG. 3

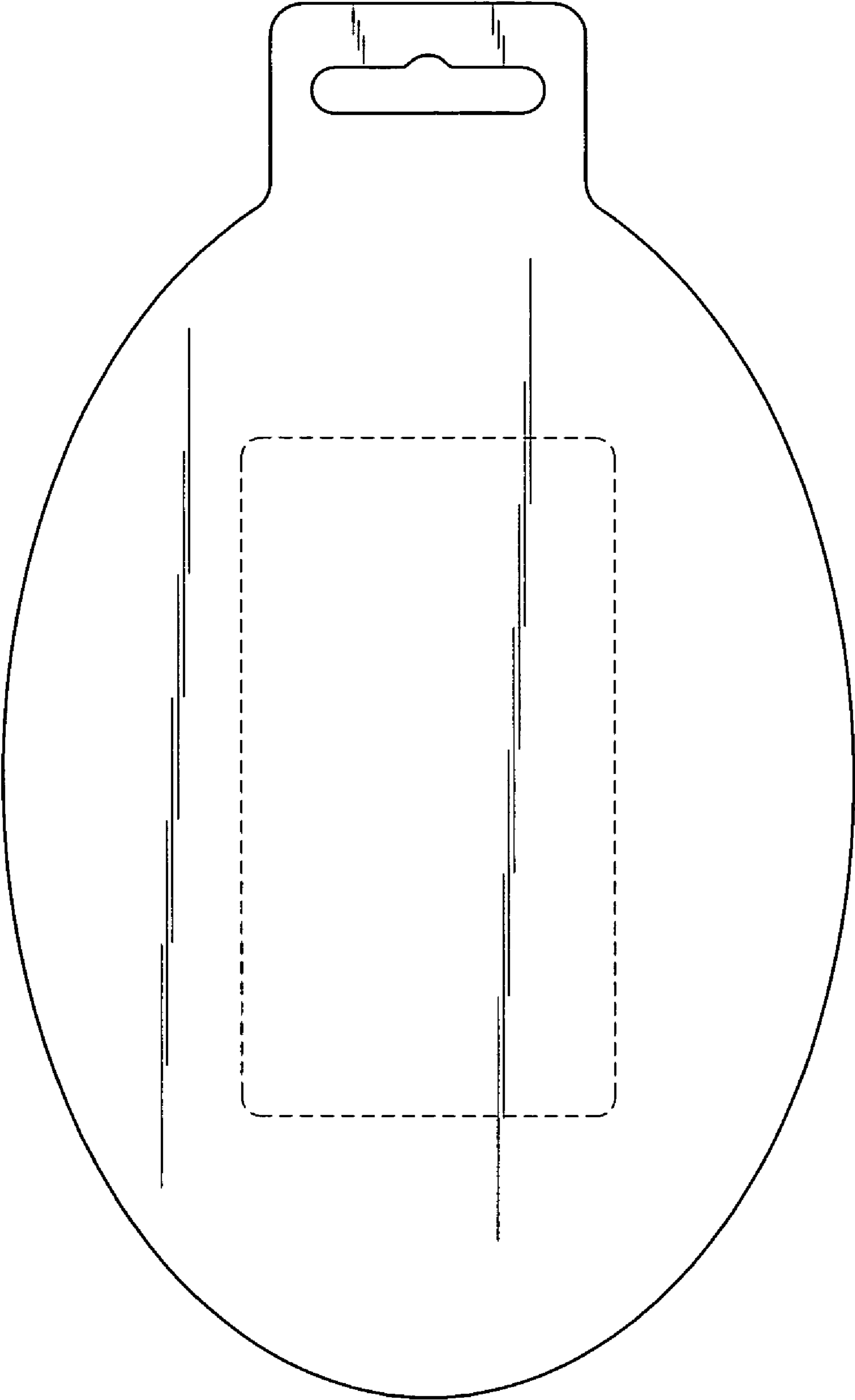


FIG. 4

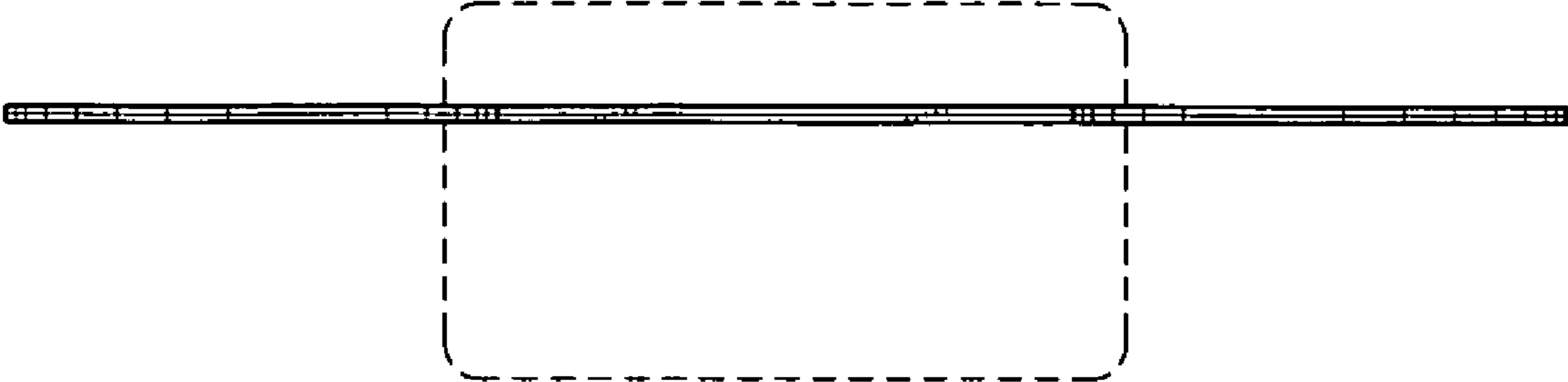


FIG. 5

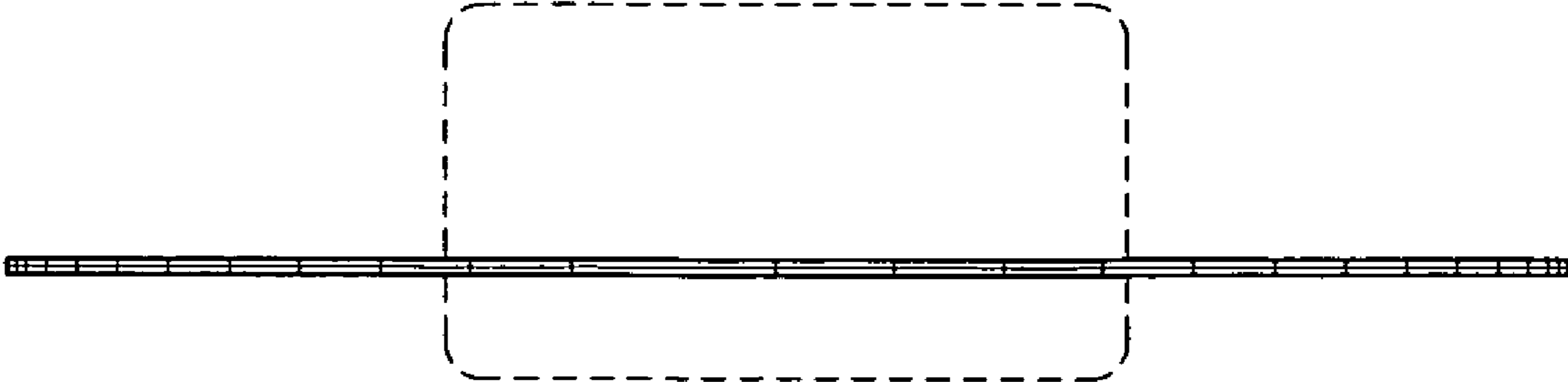


FIG. 6

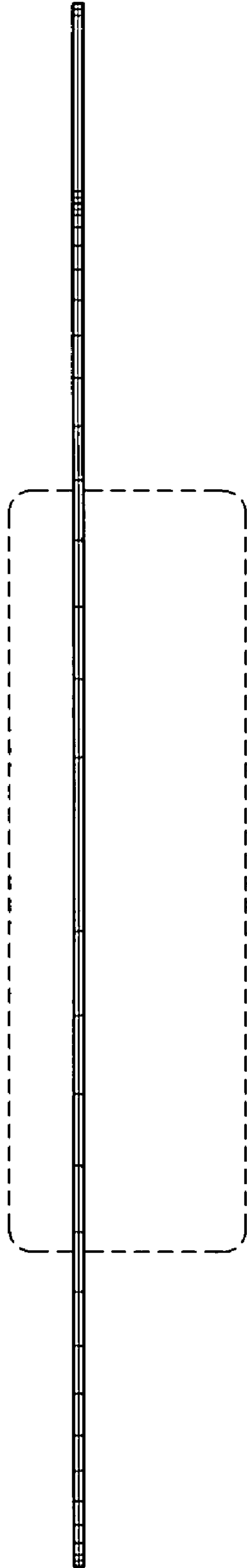


FIG. 7

