



US00D615399S

(12) **United States Design Patent**  
**Bran**

(10) **Patent No.:** **US D615,399 S**

(45) **Date of Patent:** **\*\* May 11, 2010**

(54) **FUNNEL CUP WITH STIR STICK**

(76) **Inventor:** **Jason Bran**, 1241 N. Fairfax Ave., #14,  
Los Angeles, CA (US) 90046

(\*\*) **Term:** **14 Years**

(21) **Appl. No.:** **29/323,285**

(22) **Filed:** **Aug. 21, 2008**

(51) **LOC (9) Cl.** ..... **09-07**

(52) **U.S. Cl.** ..... **D9/436; D9/447**

(58) **Field of Classification Search** ..... D9/631,  
D9/456, 453, 451, 450, 449, 448, 447, 443,  
D9/436, 435; D7/511, 396.2, 394, 393, 392.1,  
D7/314, 305; 222/83, 81, 556, 533, 530,  
222/519, 205, 192, 158, 153.07; 220/212.5,  
220/200; 215/306, 305, 228, 200; 206/541,  
206/222, 221, 220, 219, 216

See application file for complete search history.

(56) **References Cited**

**U.S. PATENT DOCUMENTS**

2,175,735	A	*	10/1939	Banks	.....	401/119
2,302,591	A		11/1941	Ahern		
D199,961	S	*	1/1965	Hare	.....	D9/436
D224,203	S	*	7/1972	Donoghue	.....	D9/547
D302,793	S	*	8/1989	Yamaguchi	.....	D9/436
5,330,081	A	*	7/1994	Davenport	.....	222/207
D409,914	S	*	5/1999	Mark	.....	D9/436
5,947,336	A		9/1999	Thompson		
D417,394	S	*	12/1999	Mark	.....	D9/436
D424,437	S	*	5/2000	Smith	.....	D9/436
D432,915	S	*	10/2000	Smith	.....	D9/436
6,484,905	B1		11/2002	Swackhamer		
6,644,471	B1		11/2003	Anderson		
6,843,368	B1		1/2005	Frutin		

D511,455	S	*	11/2005	Newell	.....	D9/436
D515,351	S	*	2/2006	Witmer	.....	D7/376
6,994,211	B2		2/2006	Cho		
7,018,089	B2		3/2006	Wenz		
7,032,745	B2		4/2006	Saulle		
7,055,685	B1		6/2006	Patterson		
7,175,049	B2		2/2007	Kastenschmidt		
7,523,823	B1	*	4/2009	Bednar	.....	206/222
D604,158	S	*	11/2009	Chodosh	.....	D9/436
D610,004	S	*	2/2010	Gonzalez	.....	D9/436
2004/0154937	A1	*	8/2004	Cho	.....	206/219

\* cited by examiner

*Primary Examiner*—Susan Bennett Hattan

(74) *Attorney, Agent, or Firm*—Marc E. Hankin; Kevin Schraven; Hankin Patent Law, A.P.C.

(57) **CLAIM**

The ornamental design for a funnel cup with stir stick, as shown and described.

**DESCRIPTION**

FIG. 1 is a detailed illustration of a front end view of the funnel cup with stir stick.

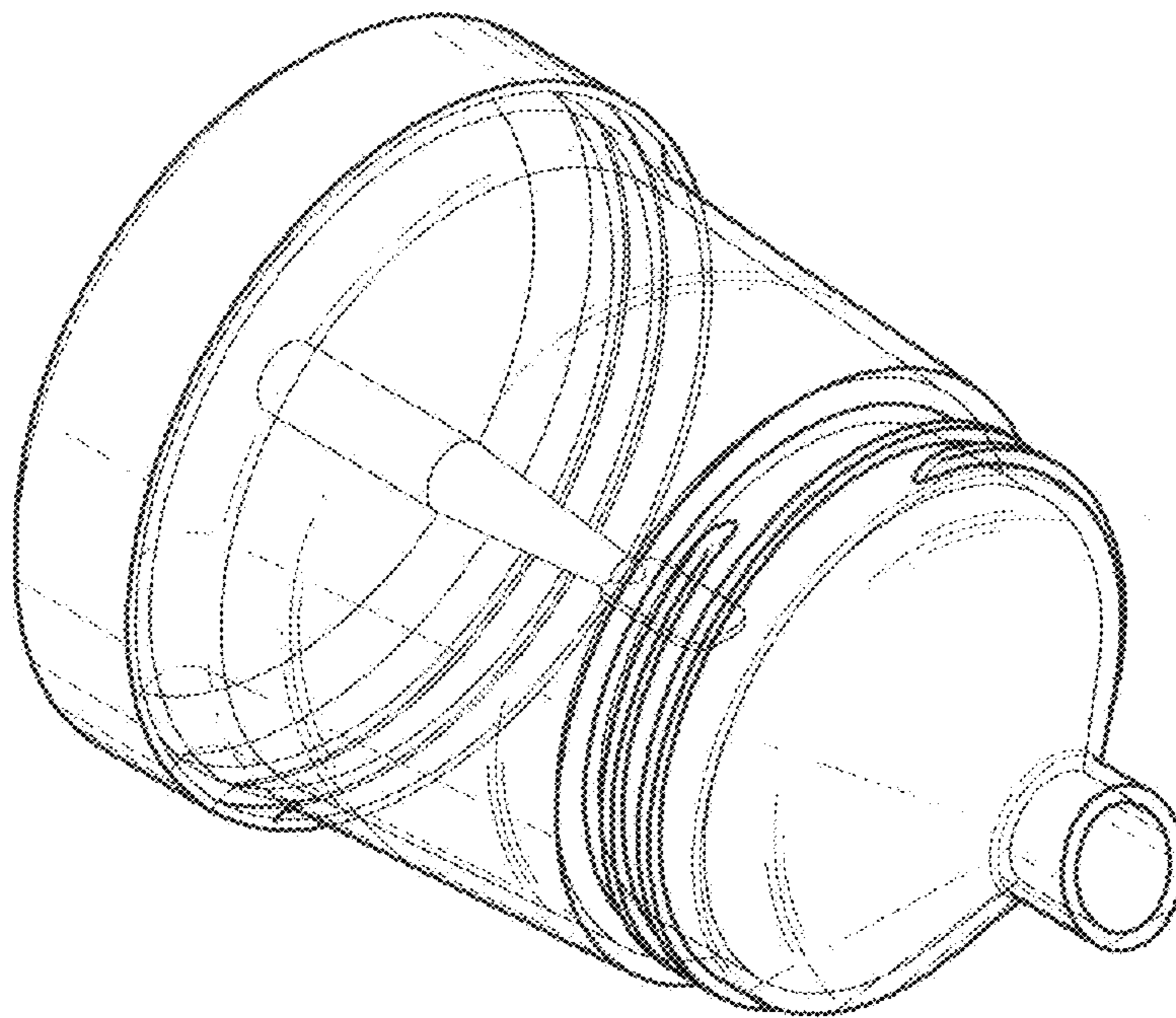
FIG. 2 is a detailed illustration of a side view of the funnel cup with stir stick.

FIG. 3 is a detailed illustration of a top view of the funnel cup with stir stick; and,

FIG. 4 is a detailed illustration of a top and side perspective view of the funnel cup with stir stick.

The funnel cup with stir stick is intended to be used to store a powered dietary supplement, allow the supplement to be funneled into another container which contains a liquid, and then to allow mixture the liquid and supplement with the stir stick.

**1 Claim, 3 Drawing Sheets**



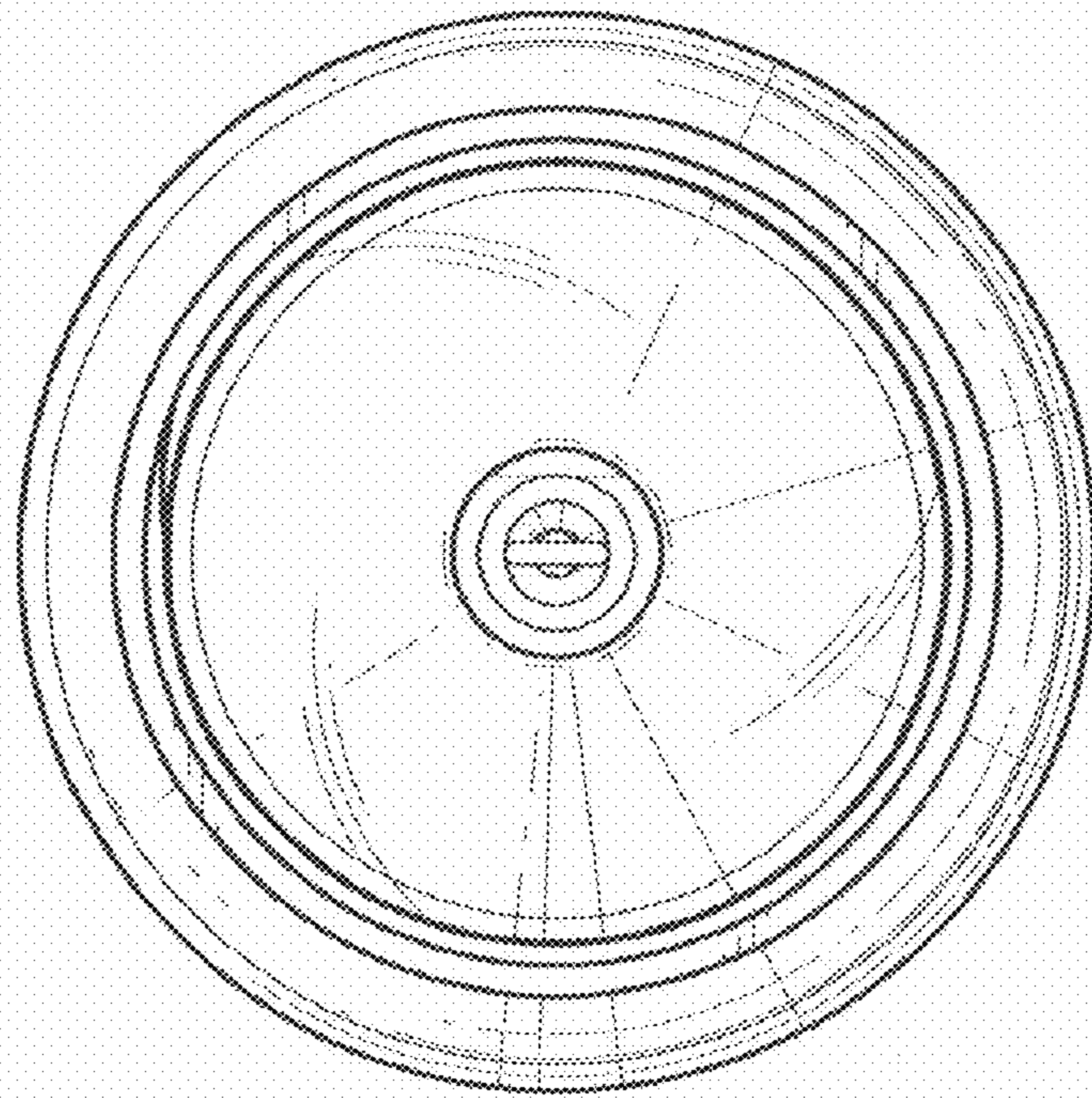


FIG. 1

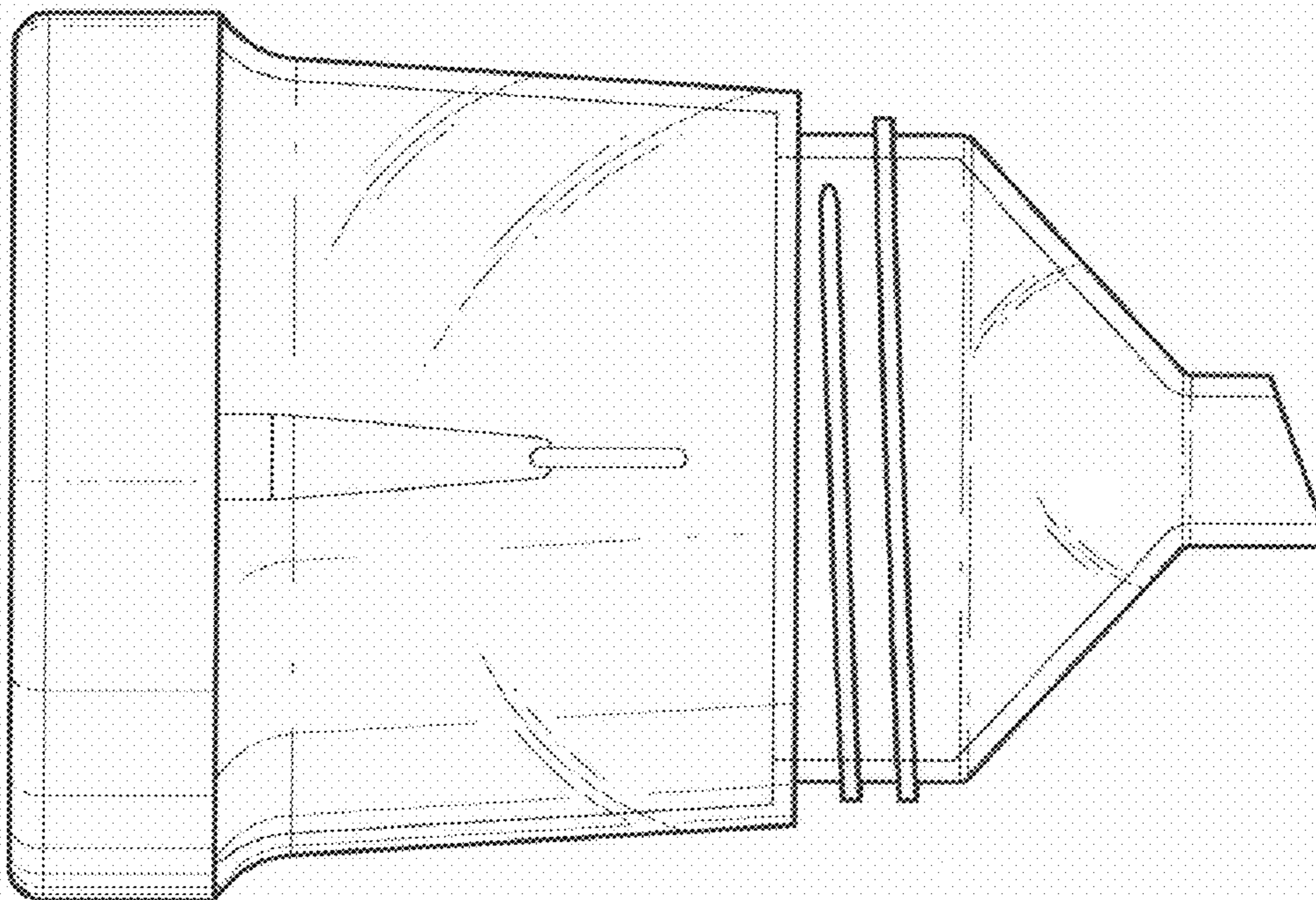
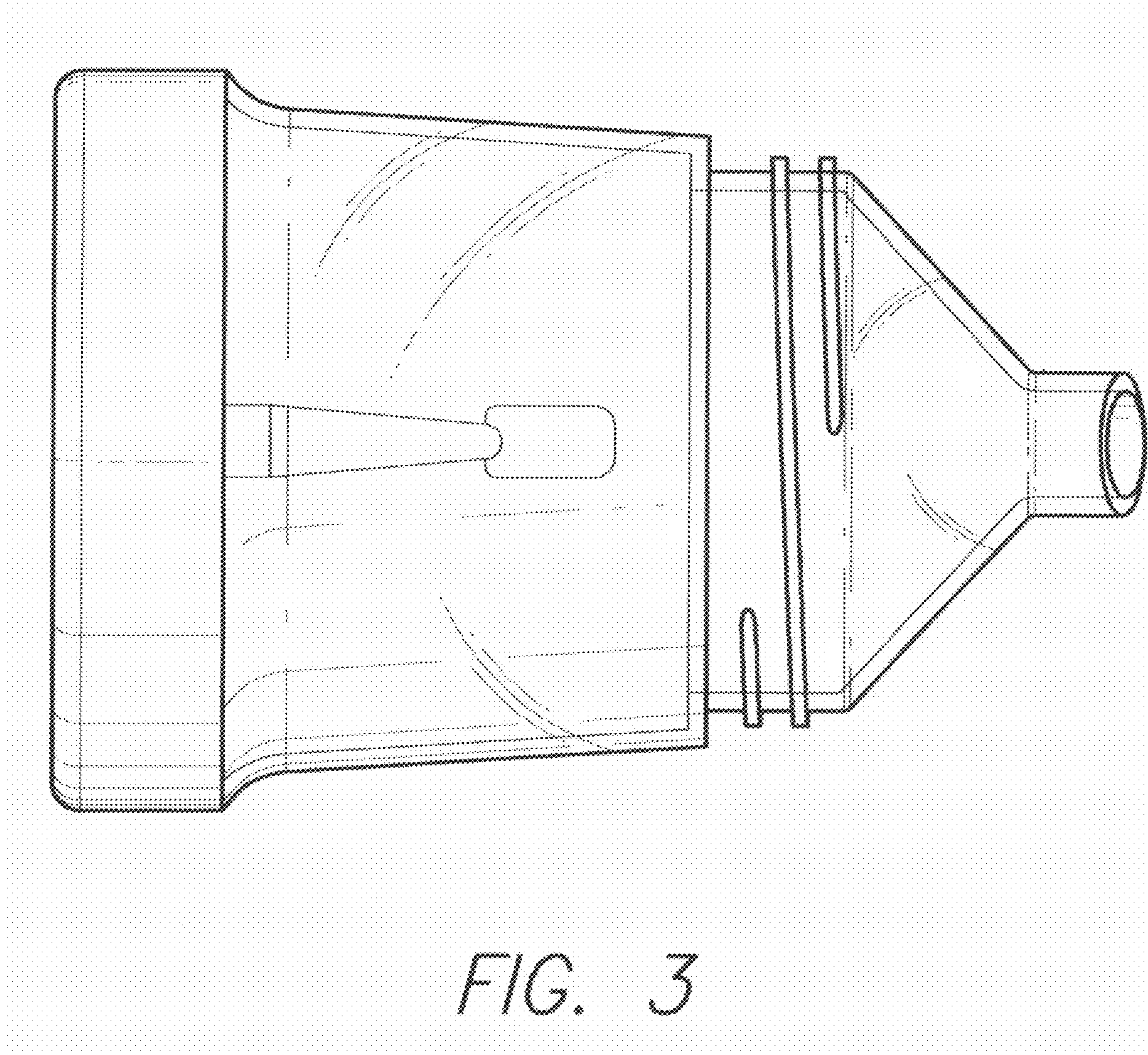


FIG. 2



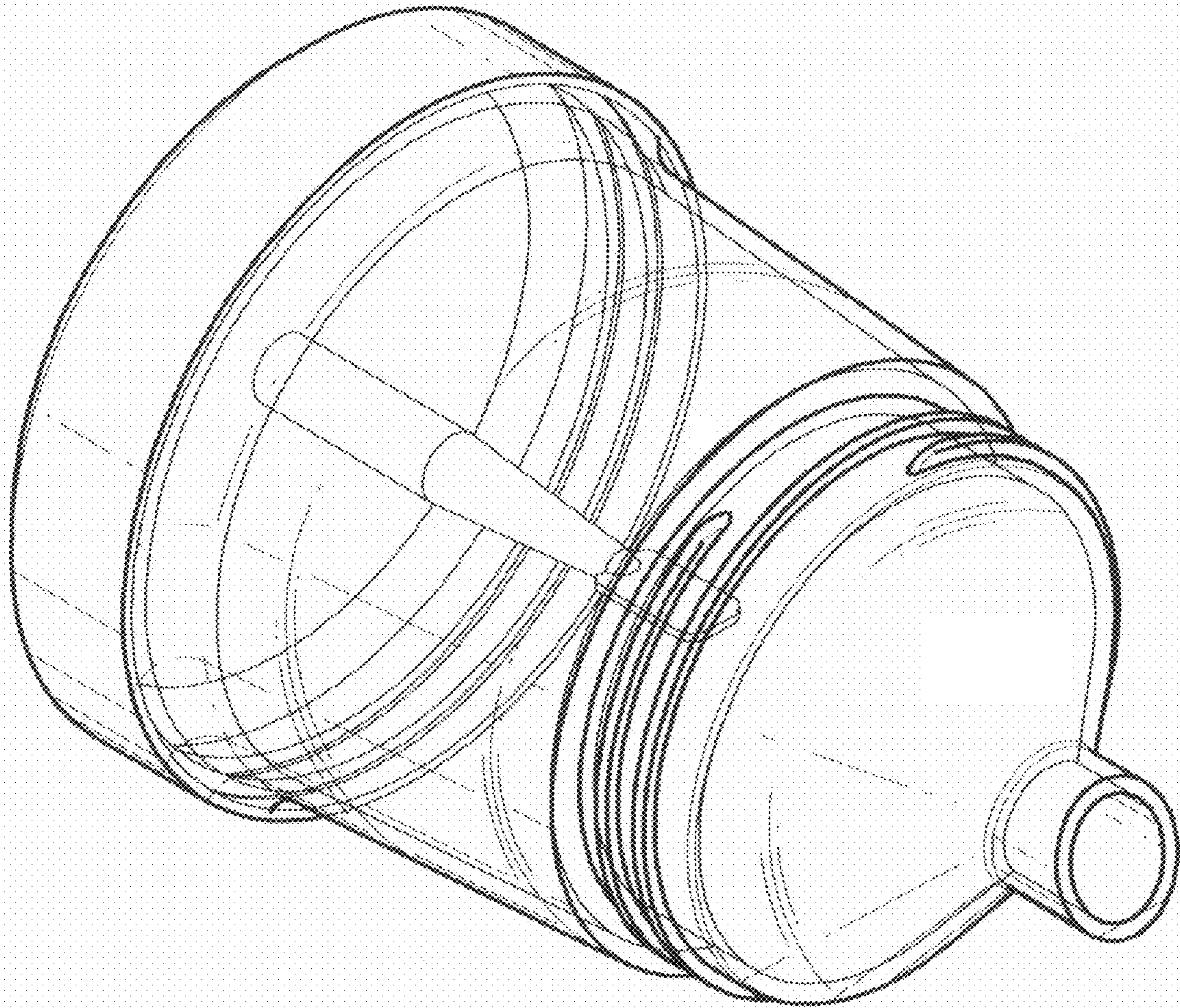


FIG. 4