



US00D615394S

(12) **United States Design Patent**  
**Pearson et al.**

(10) **Patent No.:** **US D615,394 S**

(45) **Date of Patent:** **\*\* May 11, 2010**

(54) **CLIP WITH CUTTING BLADE**

(75) Inventors: **Scott D. Pearson**, Woodbury, MN (US);  
**Joy A. Packard**, Hudson, WI (US);  
**Peter J. Newbould**, Milan (IT); **Ivana Babic**, Milan (IT)

(73) Assignee: **3M Innovative Properties Company**,  
St. Paul, MN (US)

(\*\*) Term: **14 Years**

(21) Appl. No.: **29/330,260**

(22) Filed: **Jan. 2, 2009**

(51) **LOC (9) Cl.** ..... **08-08**

(52) **U.S. Cl.** ..... **D8/395**

(58) **Field of Classification Search** ..... D8/394-396,  
D8/72, 104; D19/56, 65, 78; 24/67.3; D32/60-64  
See application file for complete search history.

(56) **References Cited**

**U.S. PATENT DOCUMENTS**

D274,127 S \* 6/1984 Einhorn et al. .... D8/395  
D405,808 S \* 2/1999 Bankier ..... D15/78  
D445,834 S \* 7/2001 Huang ..... D19/78

D478,628 S \* 8/2003 Sheldon et al. .... D19/65  
D519,360 S \* 4/2006 Naden ..... D8/395  
D521,369 S \* 5/2006 Sollberger et al. .... D8/395  
D599,651 S \* 9/2009 Riggsbee ..... D8/395

\* cited by examiner

*Primary Examiner*—T. Chase Nelson

*Assistant Examiner*—John Windmuller

(74) *Attorney, Agent, or Firm*—Robert H. Jordan

(57) **CLAIM**

The ornamental design for a clip with cutting blade, as shown and described.

**DESCRIPTION**

FIG. 1 is a perspective view of a clip with cutting blade showing our new design;

FIG. 2 is a top view thereof, the bottom view being a mirror image thereof;

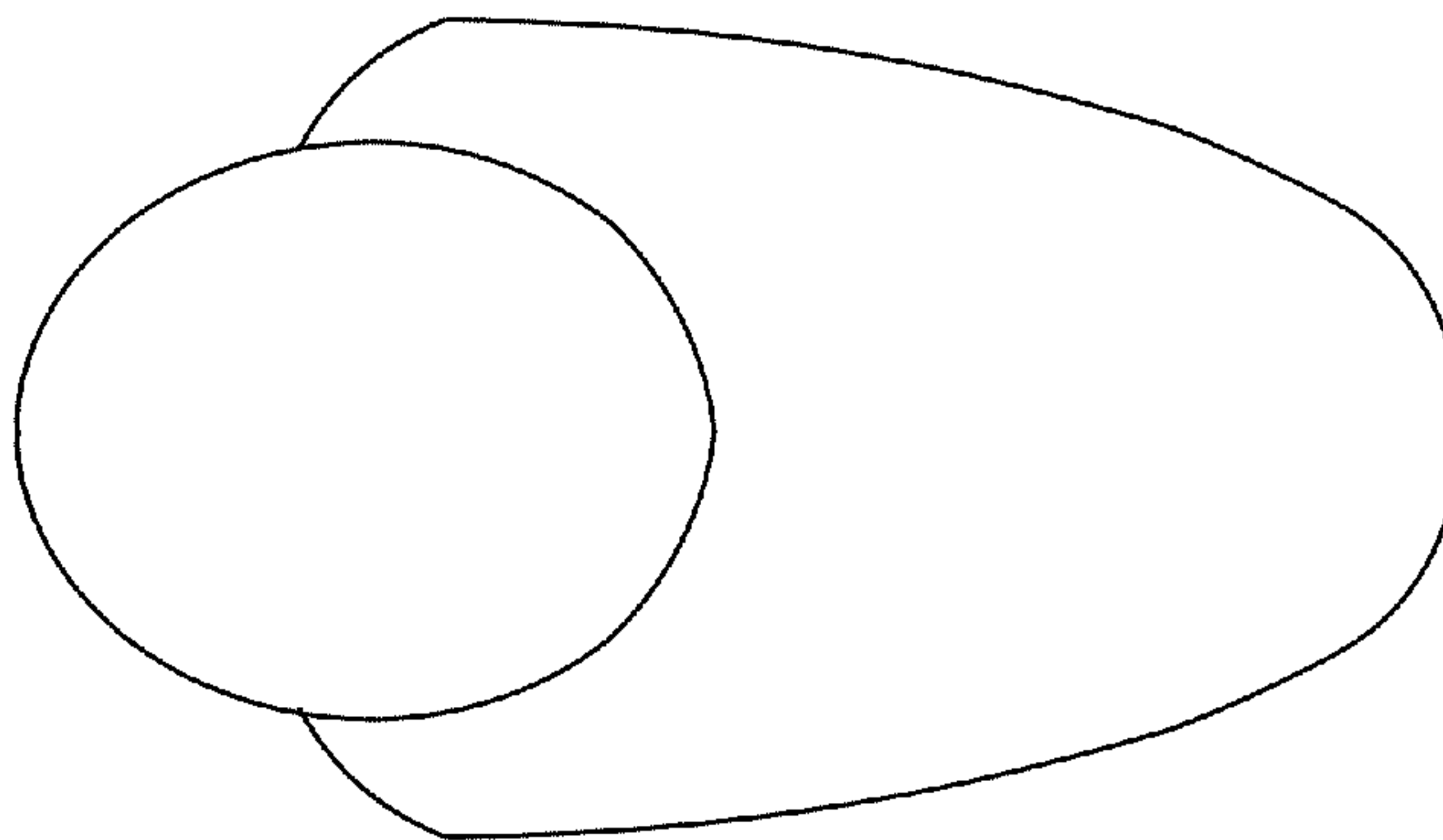
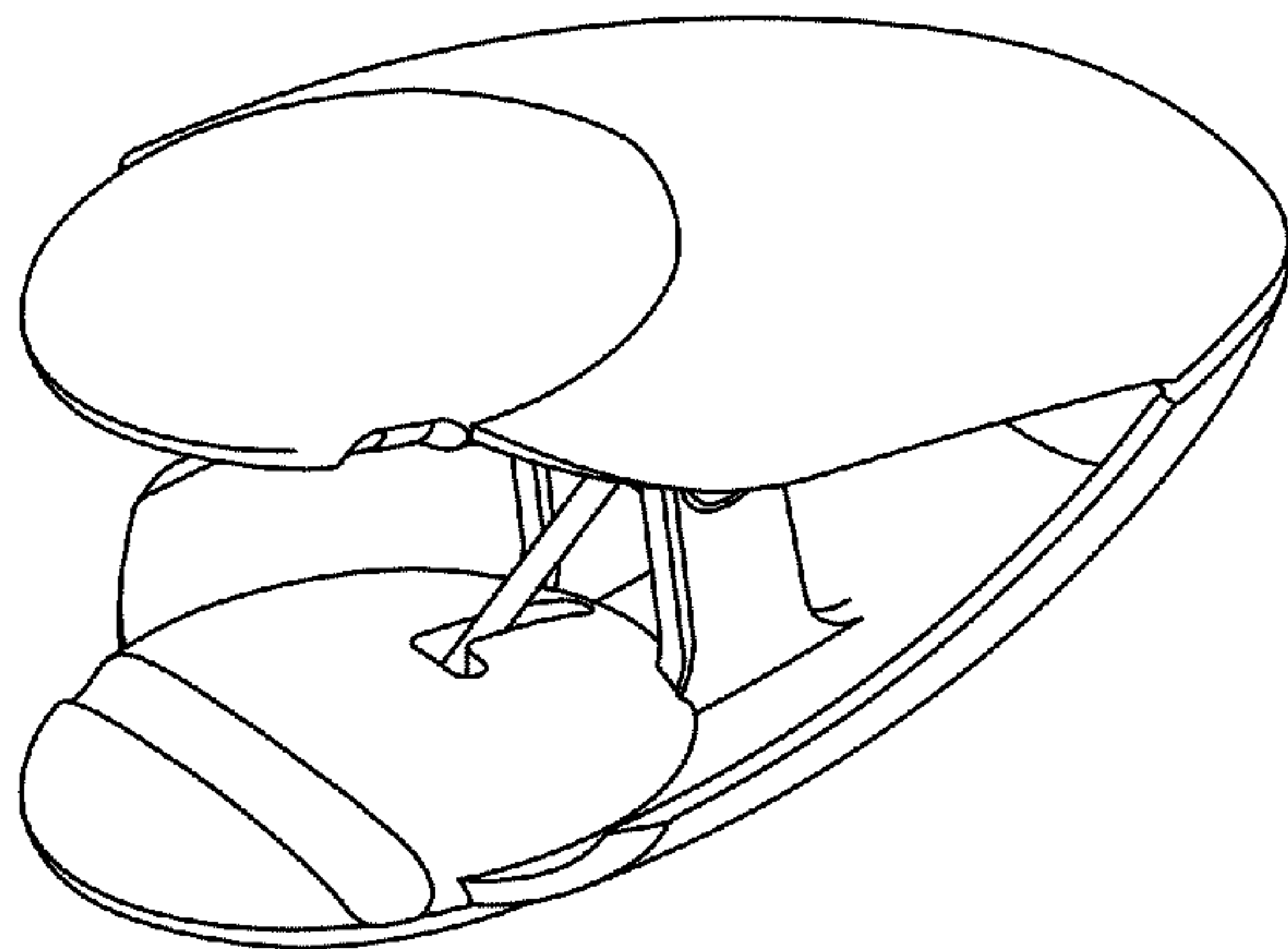
FIG. 3 is a right side view thereof;

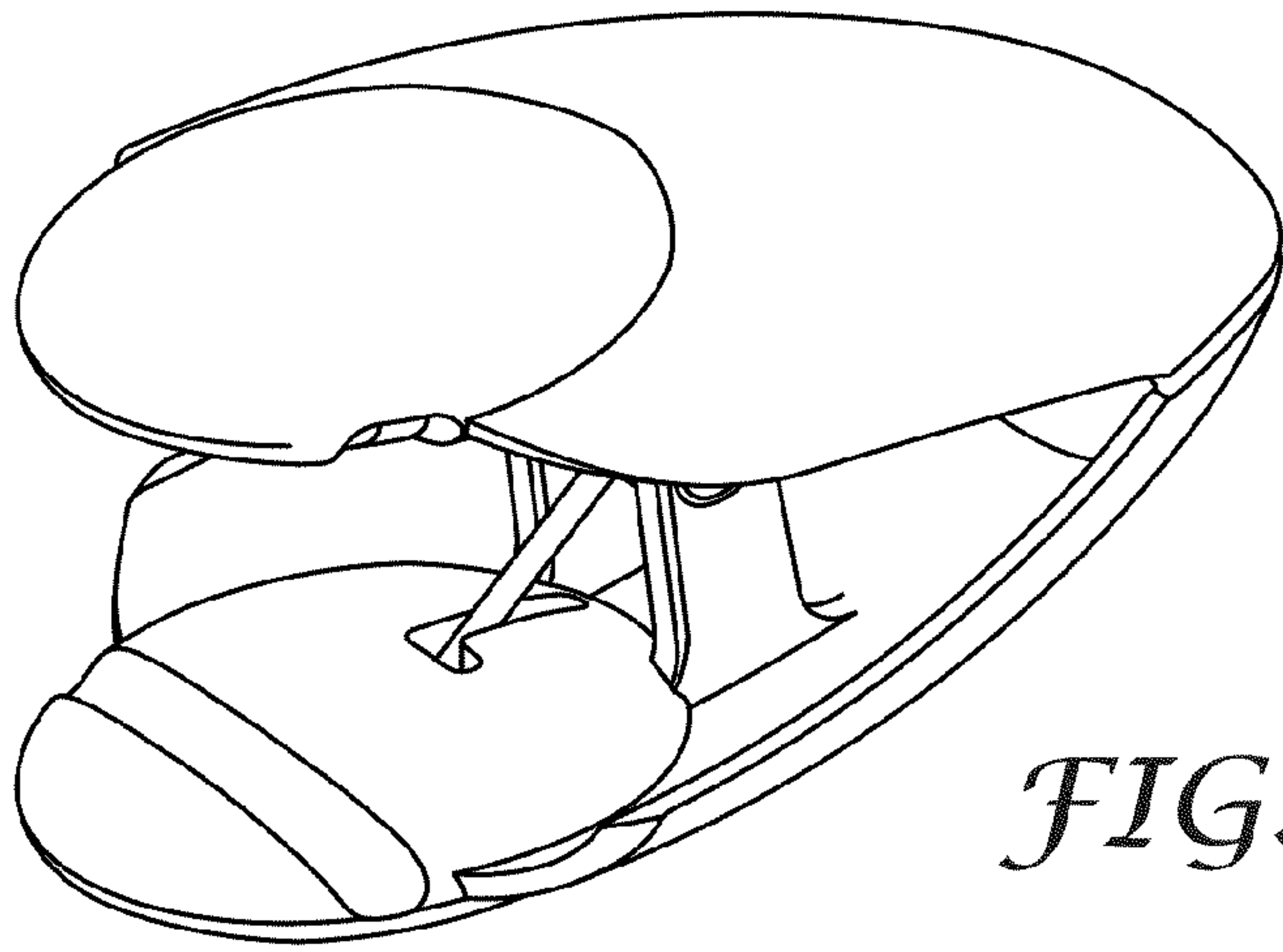
FIG. 4 is a left side view thereof;

FIG. 5 is a front view thereof; and,

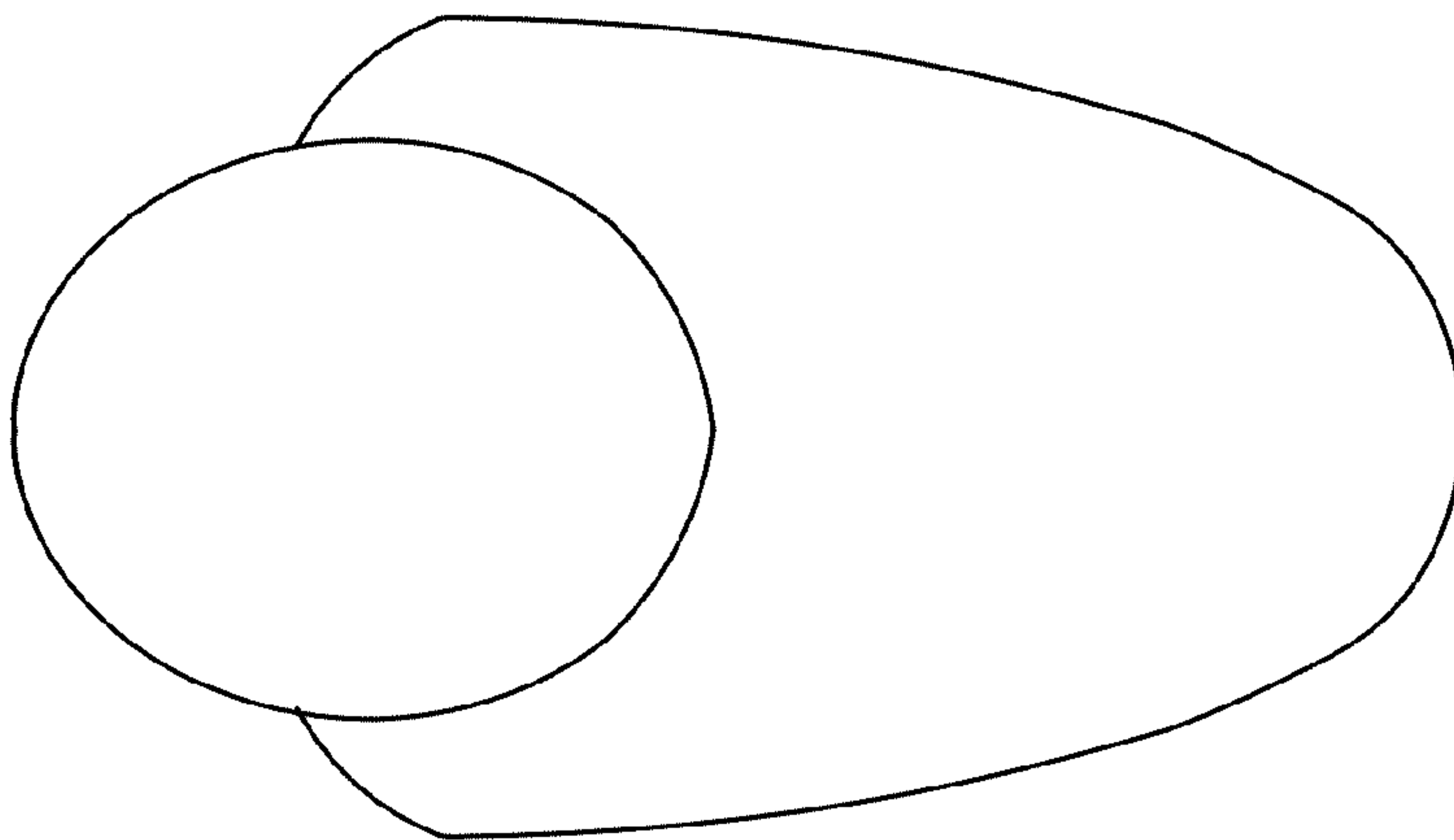
FIG. 6 is a rear view thereof.

**1 Claim, 2 Drawing Sheets**

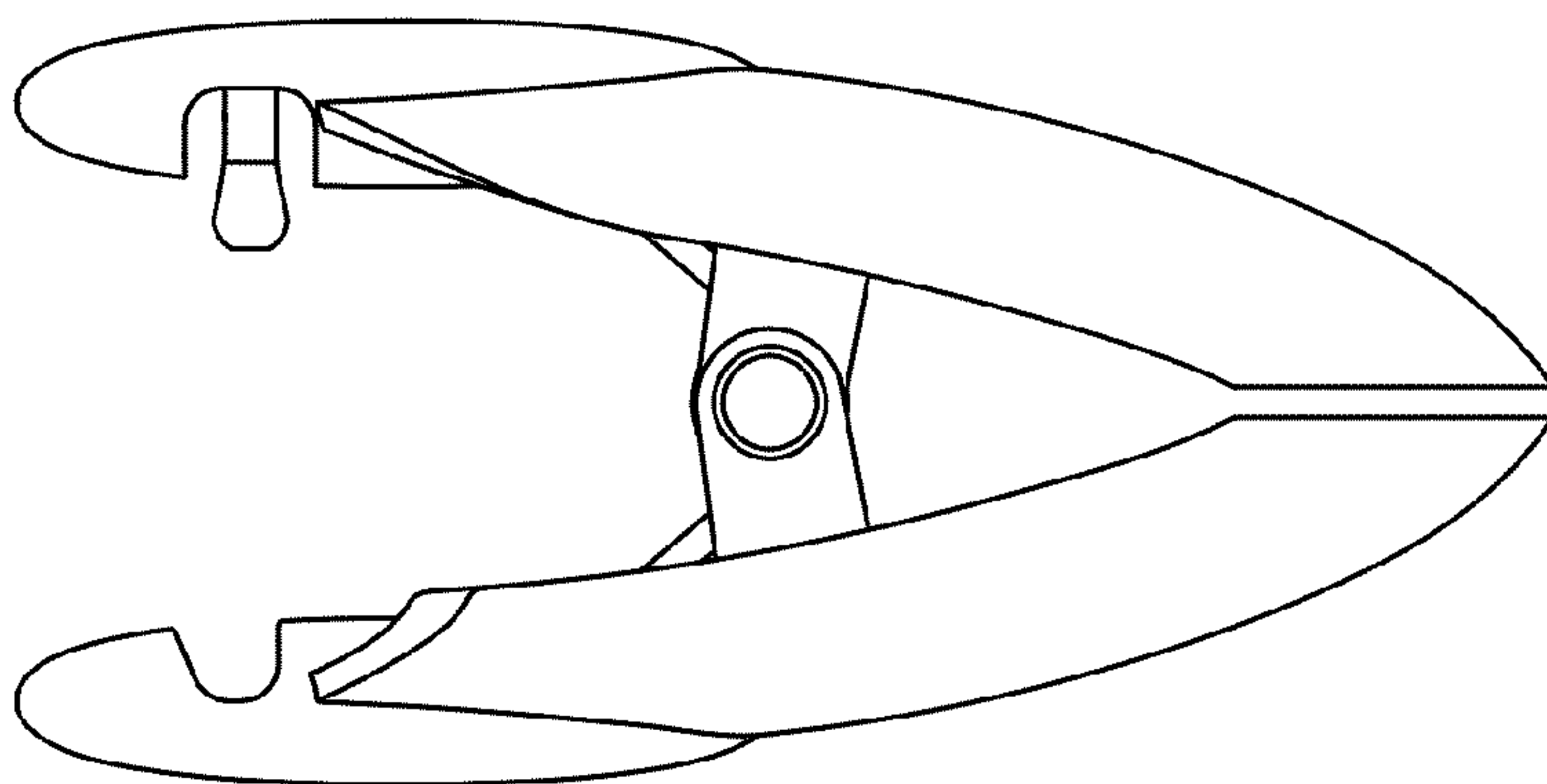




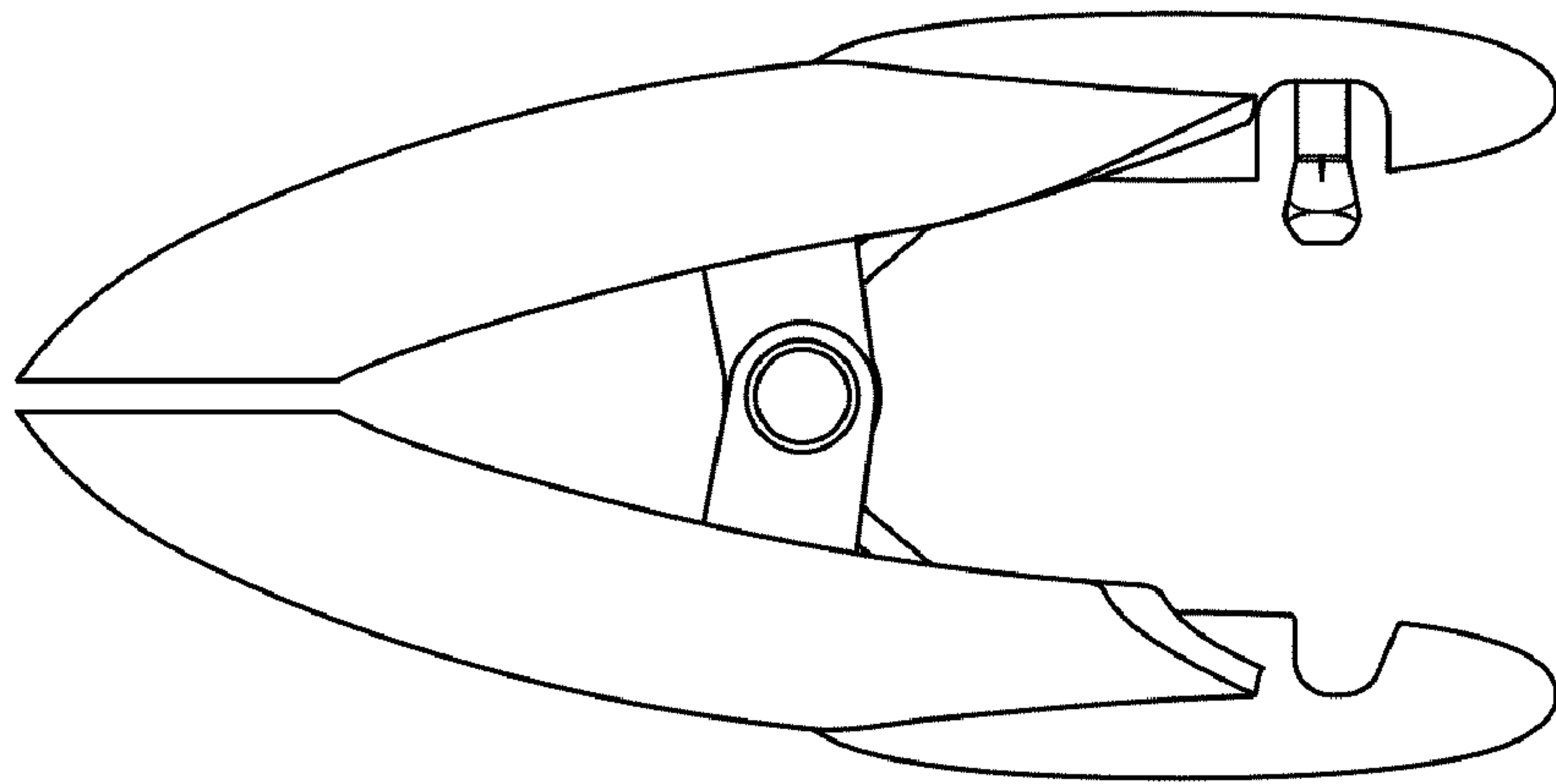
*FIG. 1*



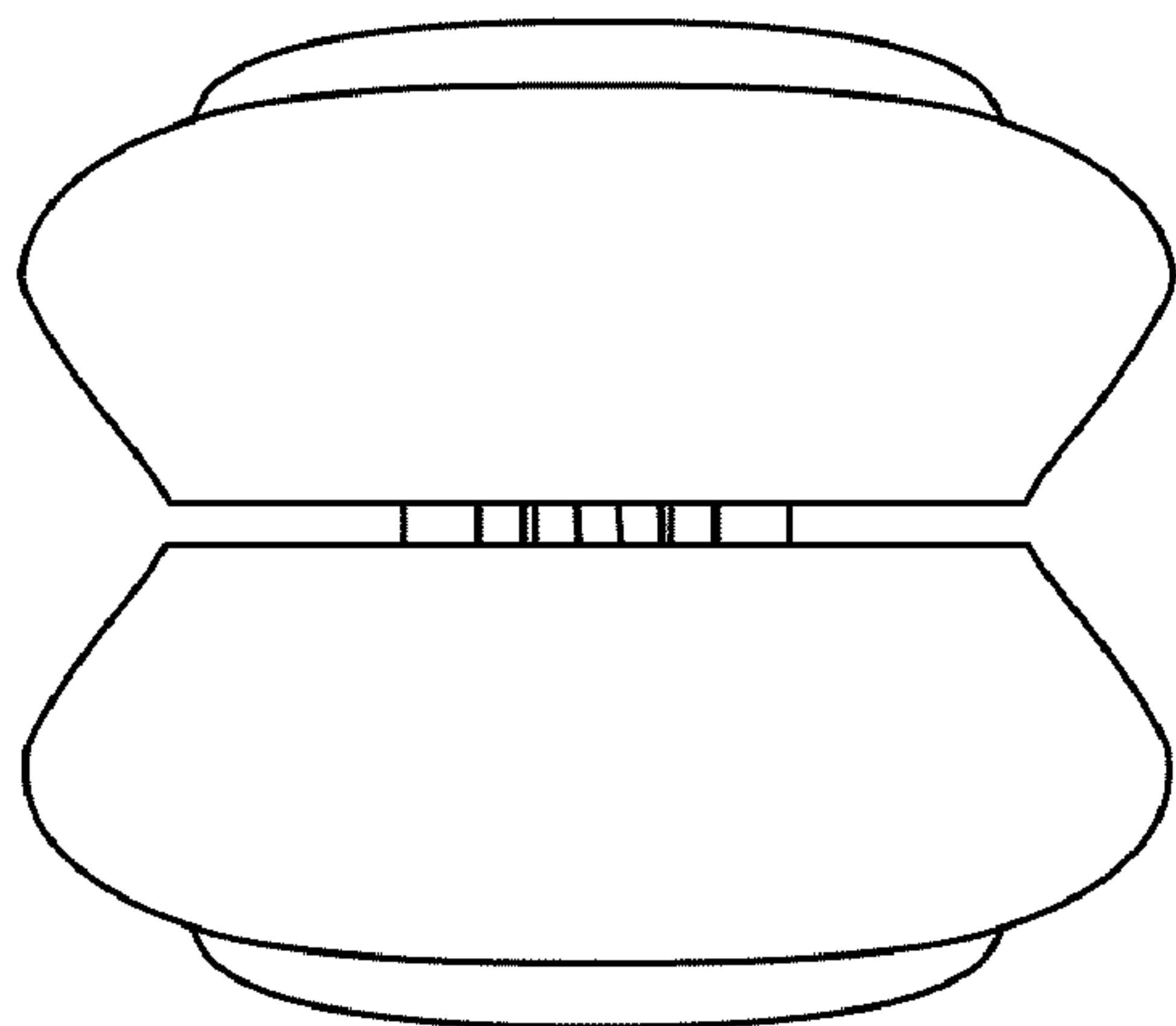
*FIG. 2*



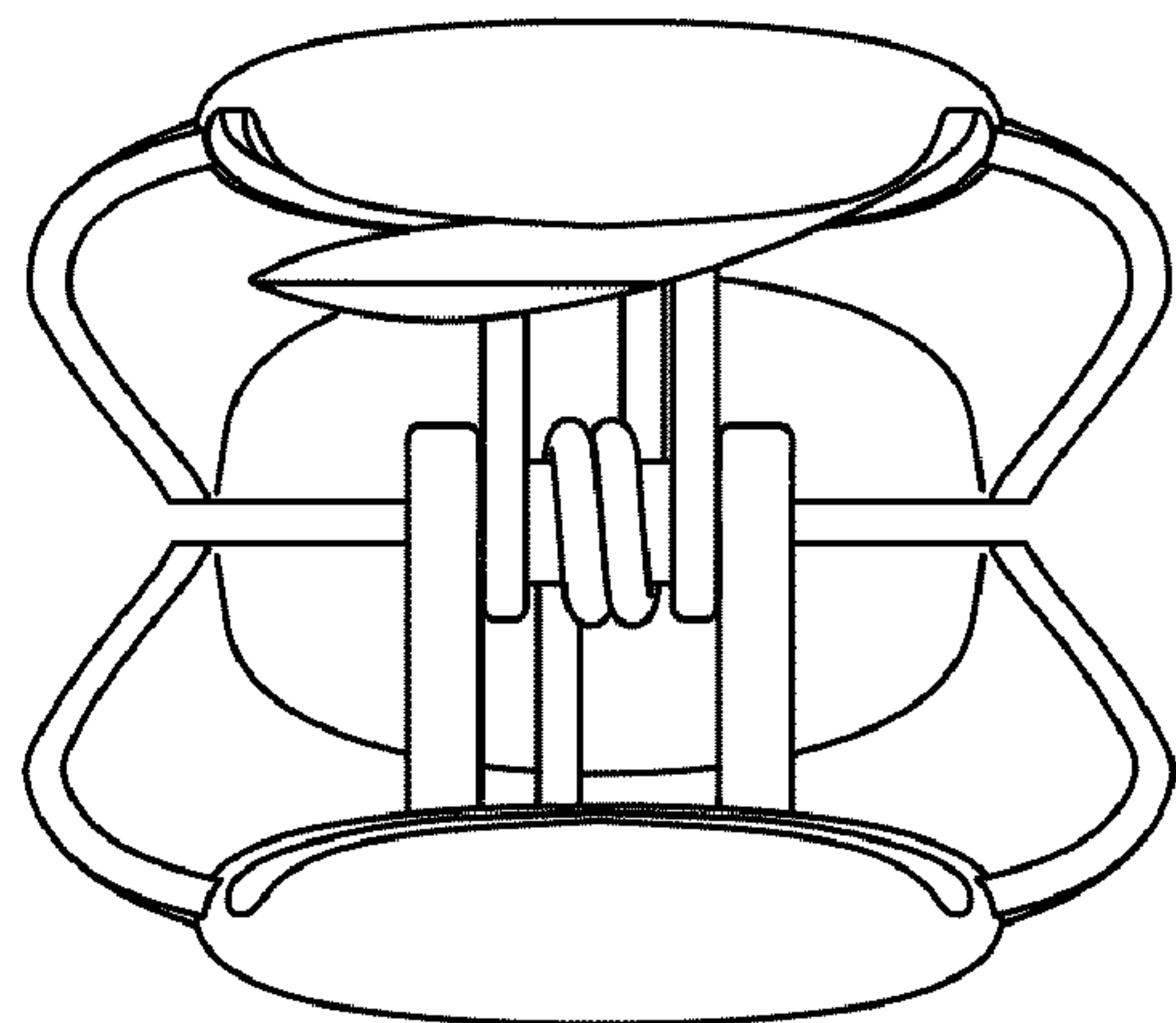
*FIG. 3*



*FIG. 4*



*FIG. 5*



*FIG. 6*