



US00D615393S

(12) **United States Design Patent**
Cunningham, Jr. et al.

(10) **Patent No.:** **US D615,393 S**
(45) **Date of Patent:** **** May 11, 2010**

(54) **ELECTRICAL BRANCH PANEL LOCKOUT**

(75) Inventors: **Phillip James Cunningham, Jr.**, Frisco, TX (US); **Scotty Ray Gross**, Fort Worth, TX (US)

(73) Assignee: **Specialty Electrical, LLC**, Fort Worth, TX (US)

(**) Term: **14 Years**

(21) Appl. No.: **29/315,373**

(22) Filed: **Jun. 19, 2009**

(51) **LOC (9) Cl.** **08-08**

(52) **U.S. Cl.** **D8/394**

(58) **Field of Classification Search** D8/356,
D8/371, 394-396; 24/570, 546, 563, 571;
248/74.2, 215, 227.1, 49, 300, 301, 316.7,
248/51, 489; D19/65, 56; 296/146.4
See application file for complete search history.

(56) **References Cited**

U.S. PATENT DOCUMENTS

D203,101	S	*	12/1965	Holder	D3/218
D275,527	S	*	9/1984	Gee	D3/215
5,181,402	A	*	1/1993	Faessler et al.	70/18
5,881,582	A	*	3/1999	Monaco	70/14
D417,959	S	*	12/1999	Albaugh et al.	D3/328

6,363,931	B1	*	4/2002	Dellenbusch	128/202.27
6,855,895	B2	*	2/2005	Santa Cruz et al.	200/43.11
6,938,862	B2	*	9/2005	Orona	248/118
D517,323	S	*	3/2006	Raimondo et al.	D3/328
D536,606	S	*	2/2007	Cox et al.	D8/395
7,299,668	B1	*	11/2007	Lu	70/58
D580,256	S	*	11/2008	Miska	D8/314

* cited by examiner

Primary Examiner—T. Chase Nelson

Assistant Examiner—John Windmuller

(74) *Attorney, Agent, or Firm*—Schultz & Associates, P.C.

(57) **CLAIM**

The ornamental design for an electrical branch panel lockout, as shown and described.

DESCRIPTION

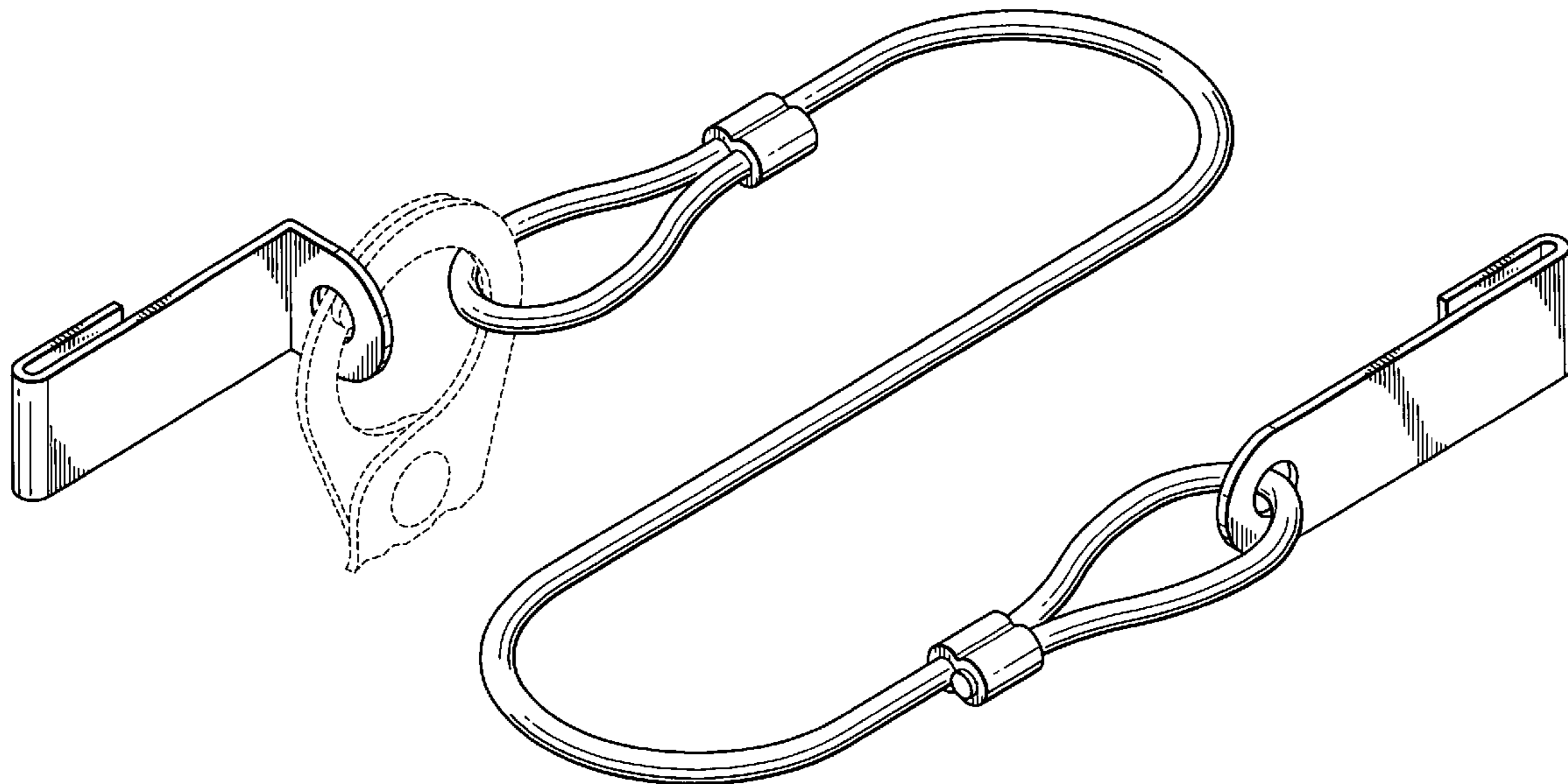
FIG. 1 is an isometric view of the electrical branch panel lockout in use on an electrical branch panel in accordance with the present invention;

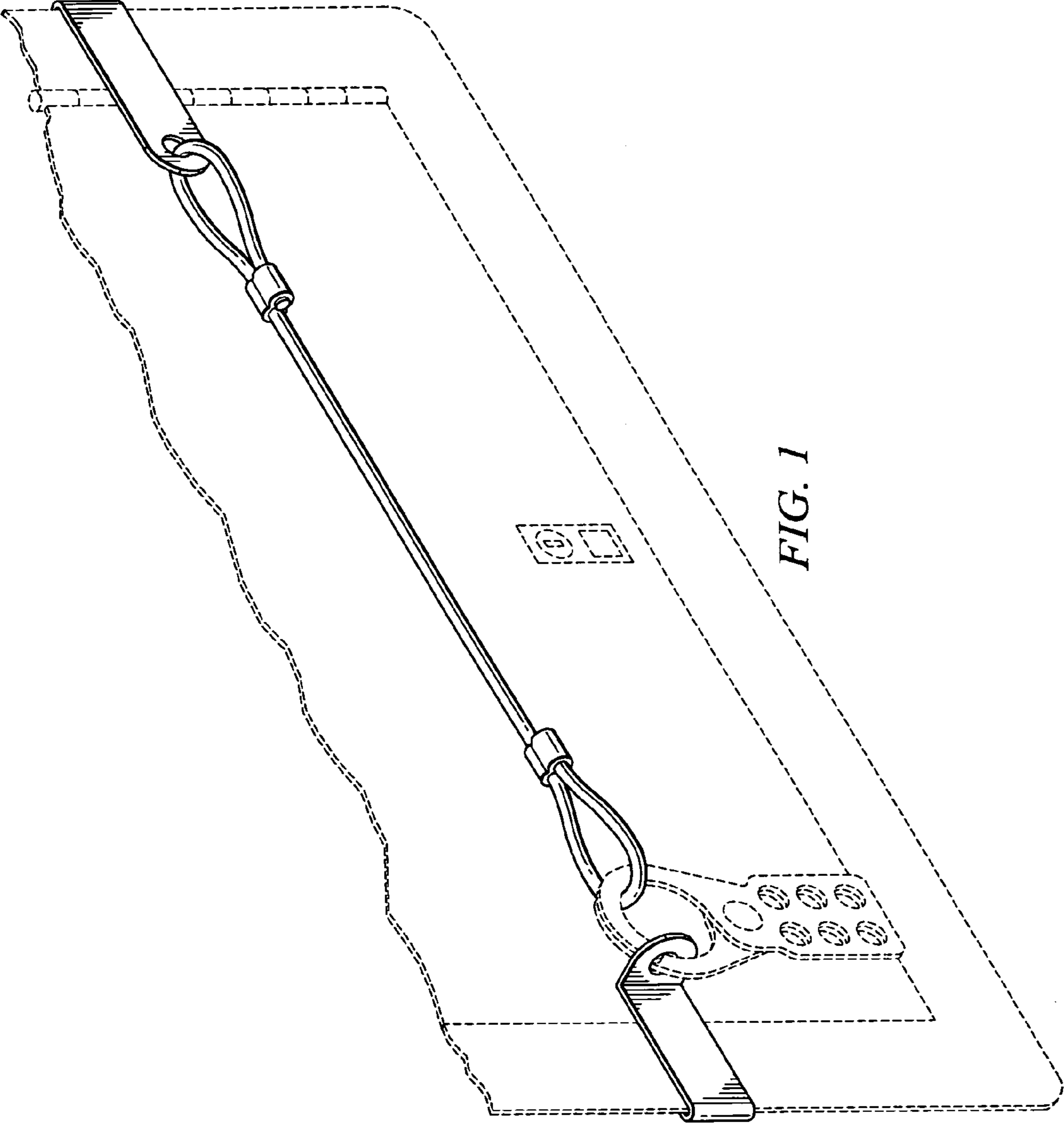
FIG. 2 is an isometric view of the electrical branch panel lockout in accordance with the present invention; and,

FIG. 3 is a top view of the electrical branch panel lockout in accordance with the present invention.

The broken lines in the figures depict environment only and form no part of the claimed design.

1 Claim, 3 Drawing Sheets





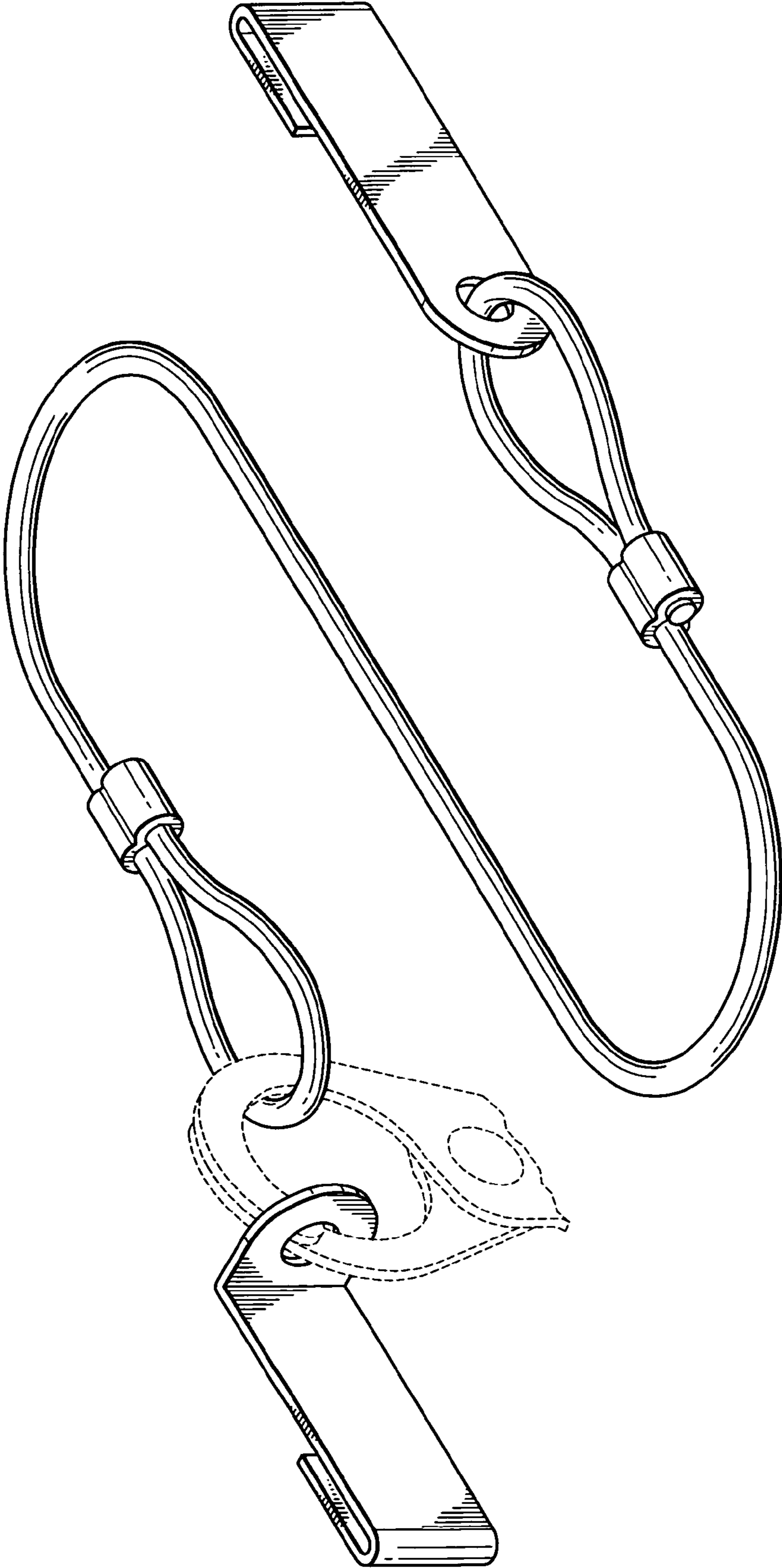


FIG. 2

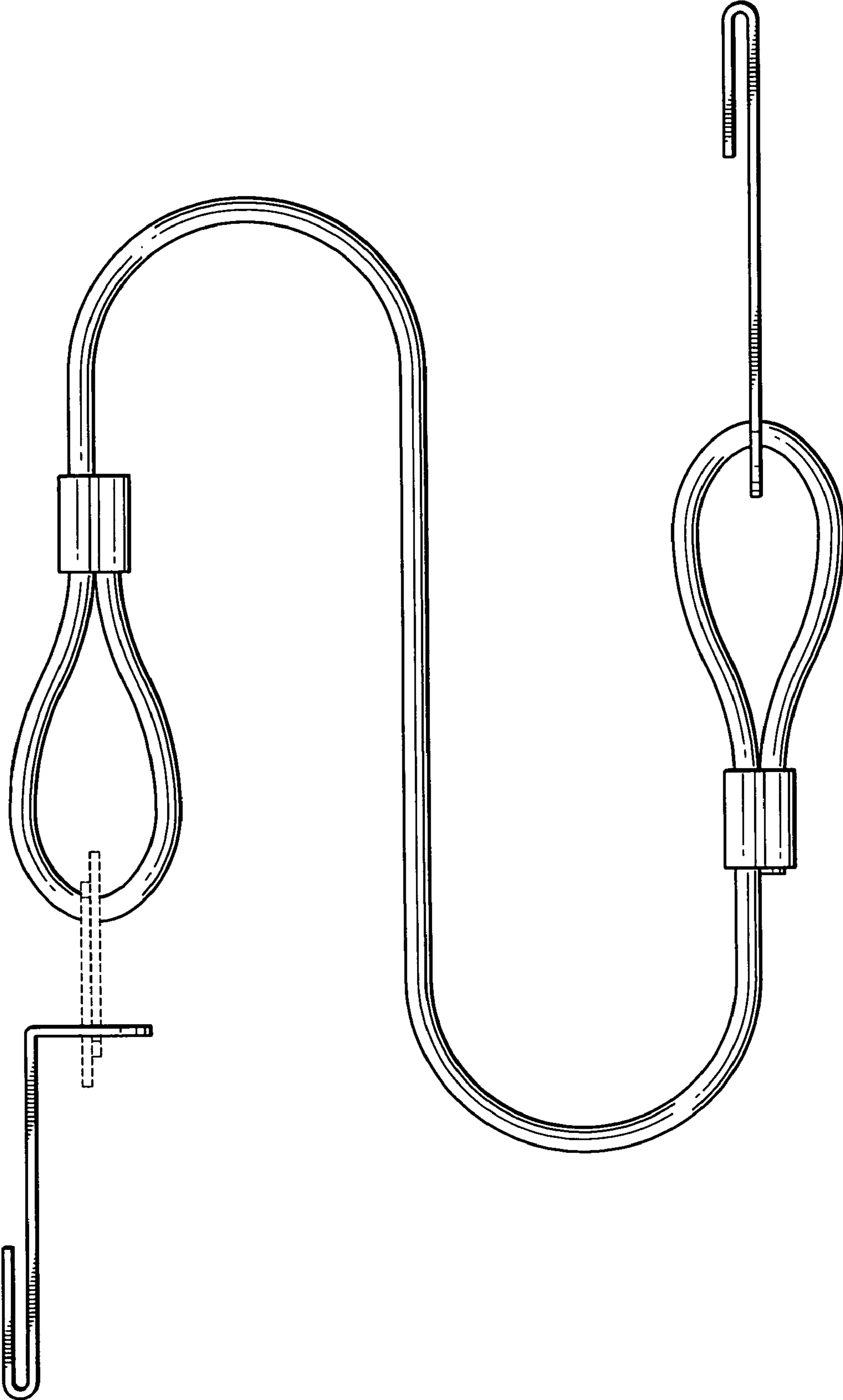


FIG. 3