



US00D615391S

(12) **United States Design Patent**  
**Kawaguchi**

(10) **Patent No.:** **US D615,391 S**

(45) **Date of Patent:** **\*\* May 11, 2010**

(54) **CORD-LOCK DEVICE**

(75) Inventor: **Gaku Kawaguchi**, Yokohama (JP)

(73) Assignee: **Nifco Inc.**, Yokohama-shi,  
Kanagawa-ken (JP)

(\*\*) Term: **14 Years**

(21) Appl. No.: **29/311,847**

(22) Filed: **Jul. 13, 2009**

(30) **Foreign Application Priority Data**

Jan. 14, 2009 (JP) ..... 2009-000516

(51) **LOC (9) Cl.** ..... **08-08**

(52) **U.S. Cl.** ..... **D8/383**

(58) **Field of Classification Search** ..... D8/383,  
D8/356, 395, 396, 394; 24/115 G, 11, 115 M,  
24/136 R, 112; D11/215, 212; D2/978

See application file for complete search history.

(56) **References Cited**

**U.S. PATENT DOCUMENTS**

D439,148 S *	3/2001	Ishii	.....	D8/383
D465,408 S *	11/2002	Man et al.	.....	D8/395
D551,067 S *	9/2007	Kawamura	.....	D8/383
D560,477 S *	1/2008	Yoshie et al.	.....	D8/383
D560,478 S *	1/2008	Yoshie et al.	.....	D8/383
D560,479 S *	1/2008	Yoshie et al.	.....	D8/383
D571,194 S *	6/2008	Mei	.....	D8/383

D584,942 S \* 1/2009 Yoshie ..... D8/383

\* cited by examiner

*Primary Examiner*—Holly H Baynham

*Assistant Examiner*—Sheryl Lane

(74) *Attorney, Agent, or Firm*—Manabu Kanesaka

(57) **CLAIM**

The ornamental design for a cord lock device, as shown and described.

**DESCRIPTION**

FIG. 1 is a perspective view of a cord-lock device showing my new design;

FIG. 2 is a perspective view thereof in a state that it is open;

FIG. 3 is a front view thereof, a rear view being the same as the front view;

FIG. 4 is a plan view thereof;

FIG. 5 is a bottom view thereof;

FIG. 6 is a left side view thereof, a right side view being symmetrical to the left side view;

FIG. 7 is a sectional view thereof taken along line 7—7 in FIG. 3;

FIG. 8 is a sectional view thereof taken along line 8—8 in FIG. 3; and,

FIG. 9 is a sectional view thereof taken along line 9—9 in FIG. 3.

**1 Claim, 4 Drawing Sheets**

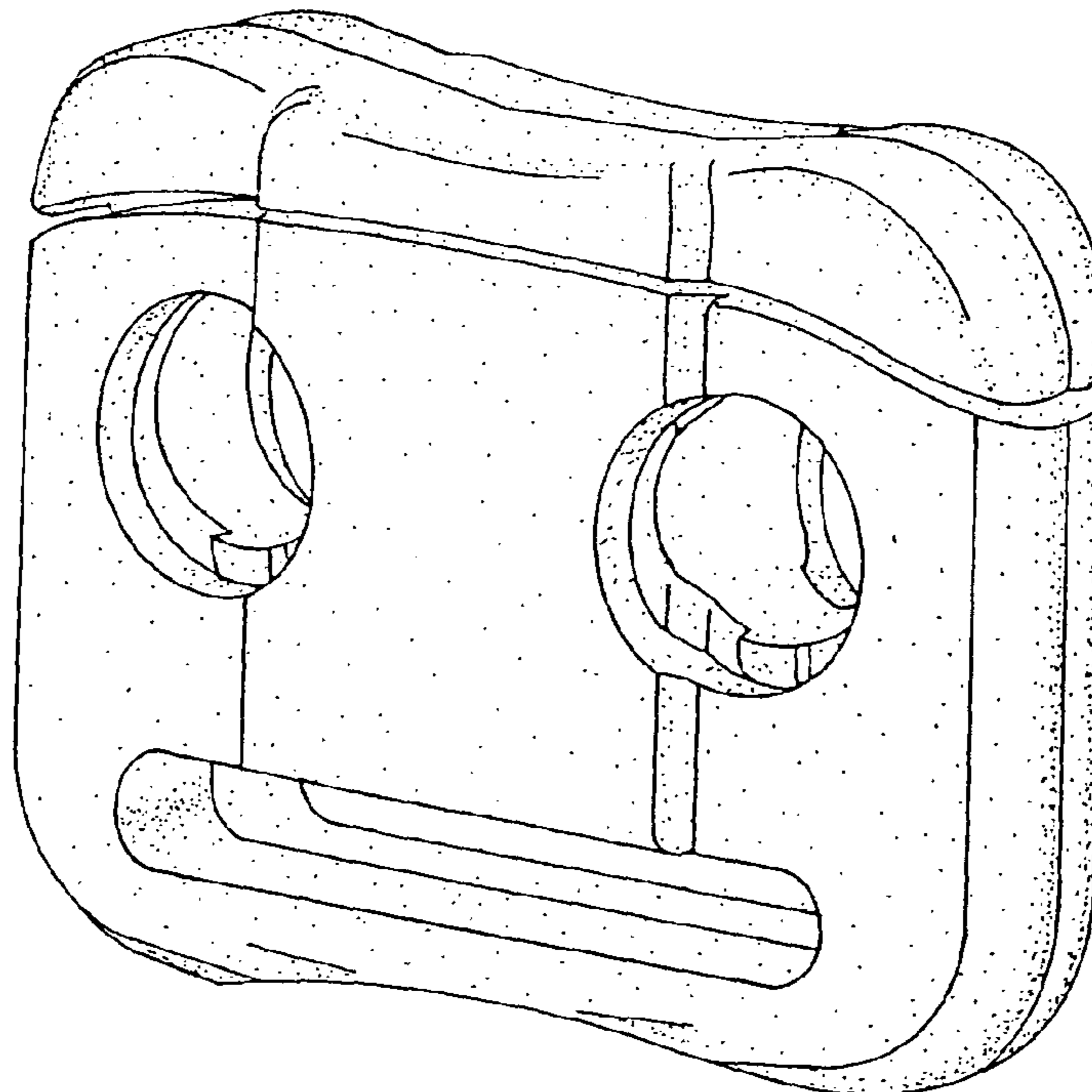


Fig. 1

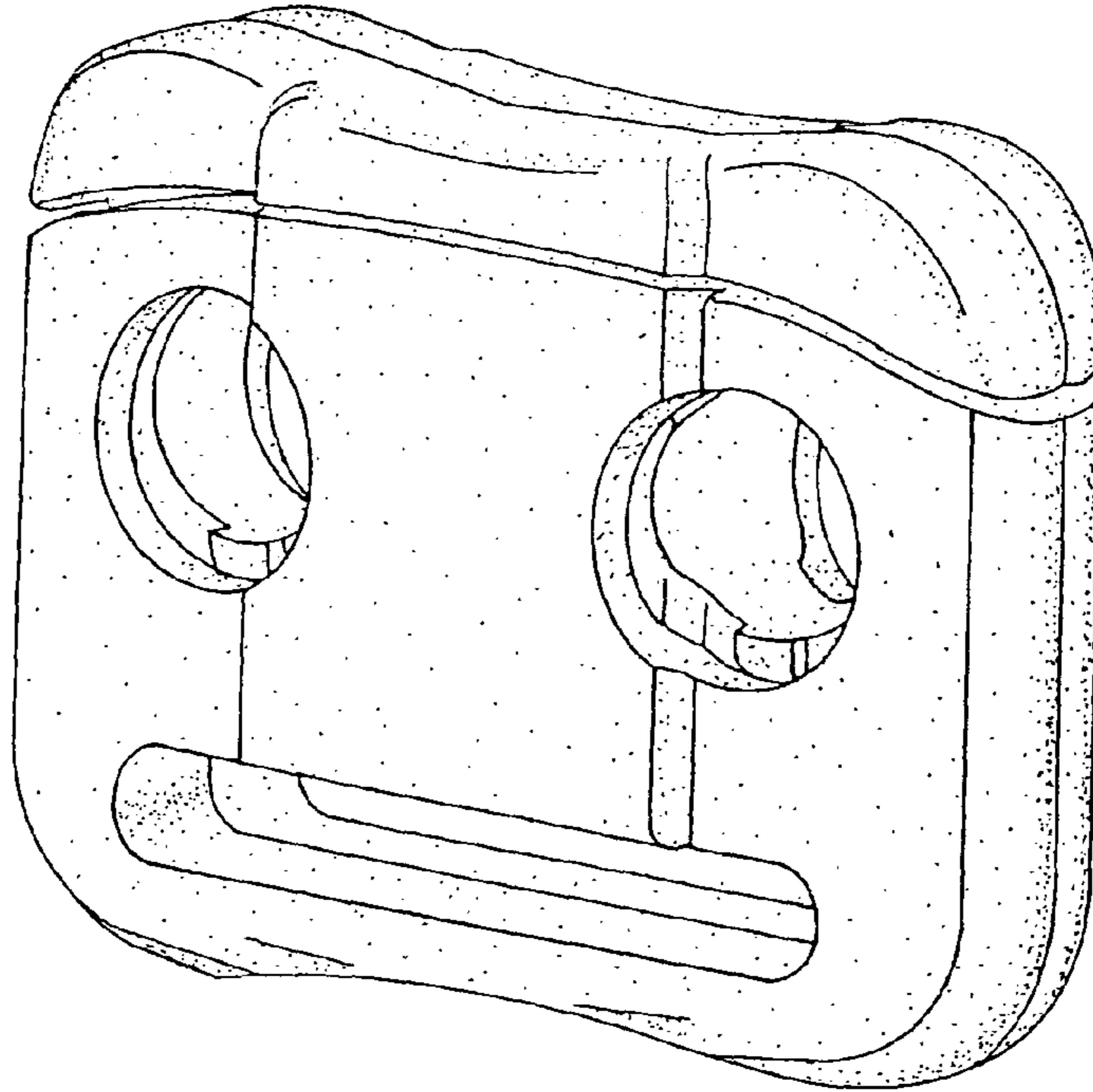


Fig. 2

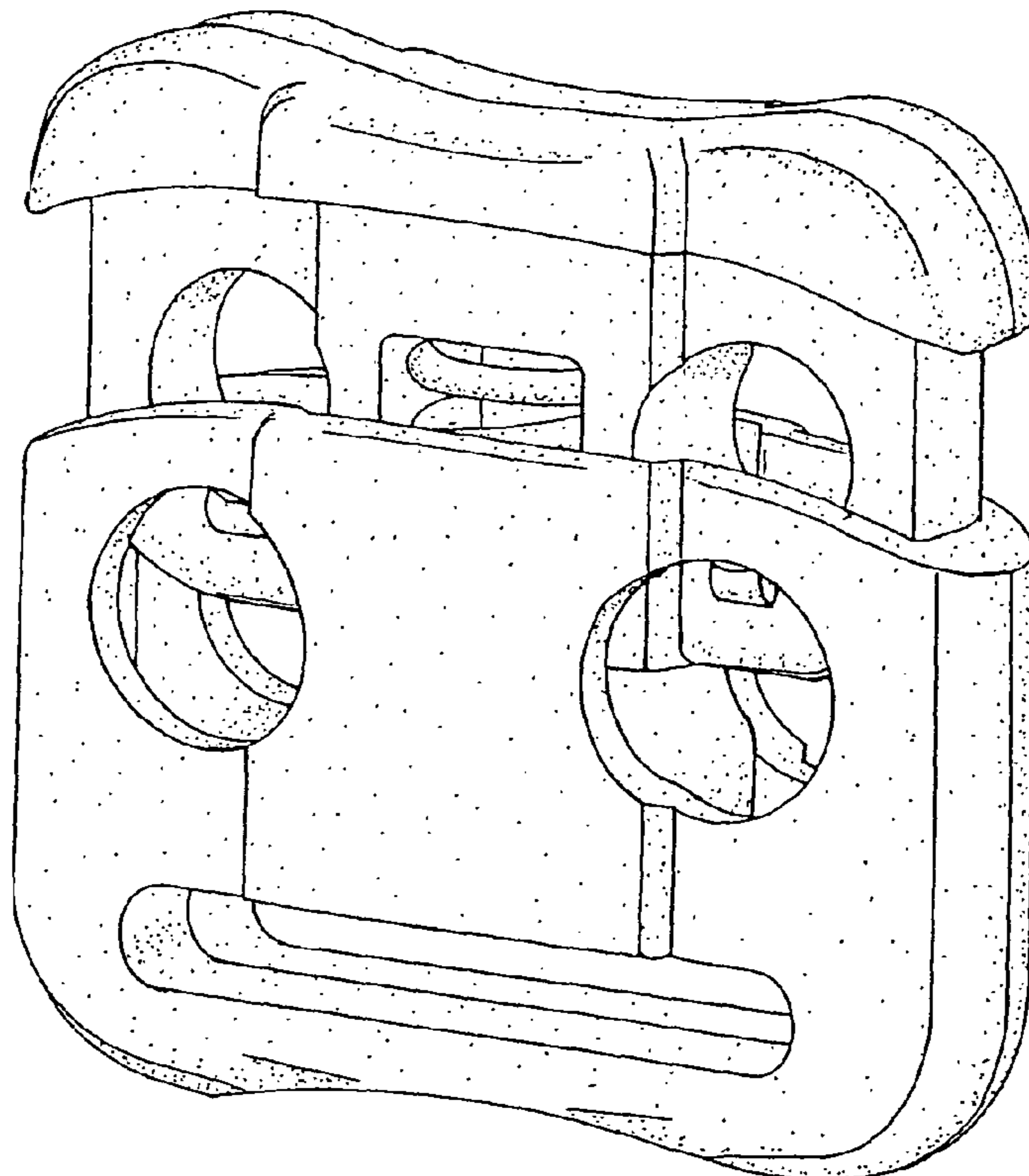


Fig. 3

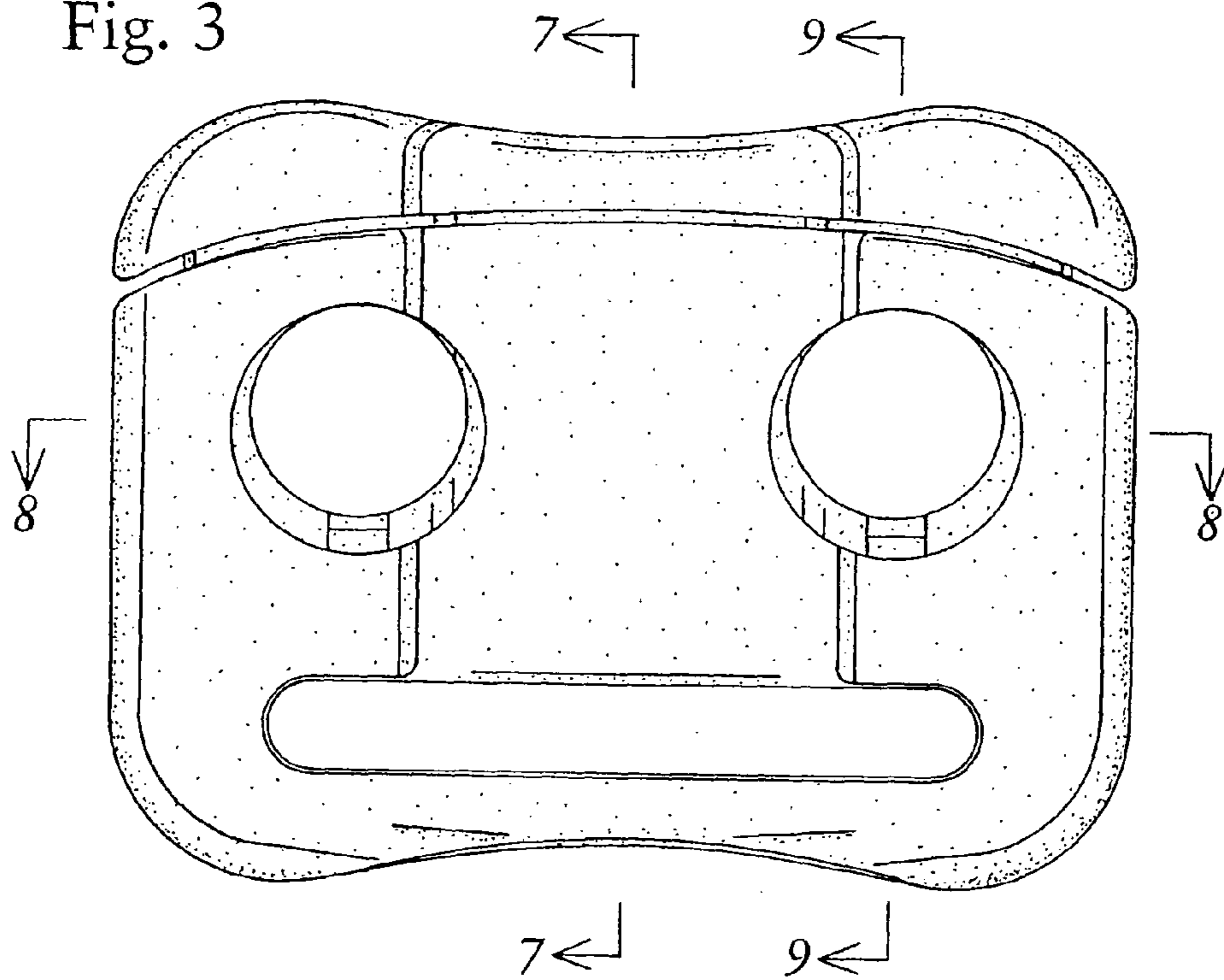


Fig. 4

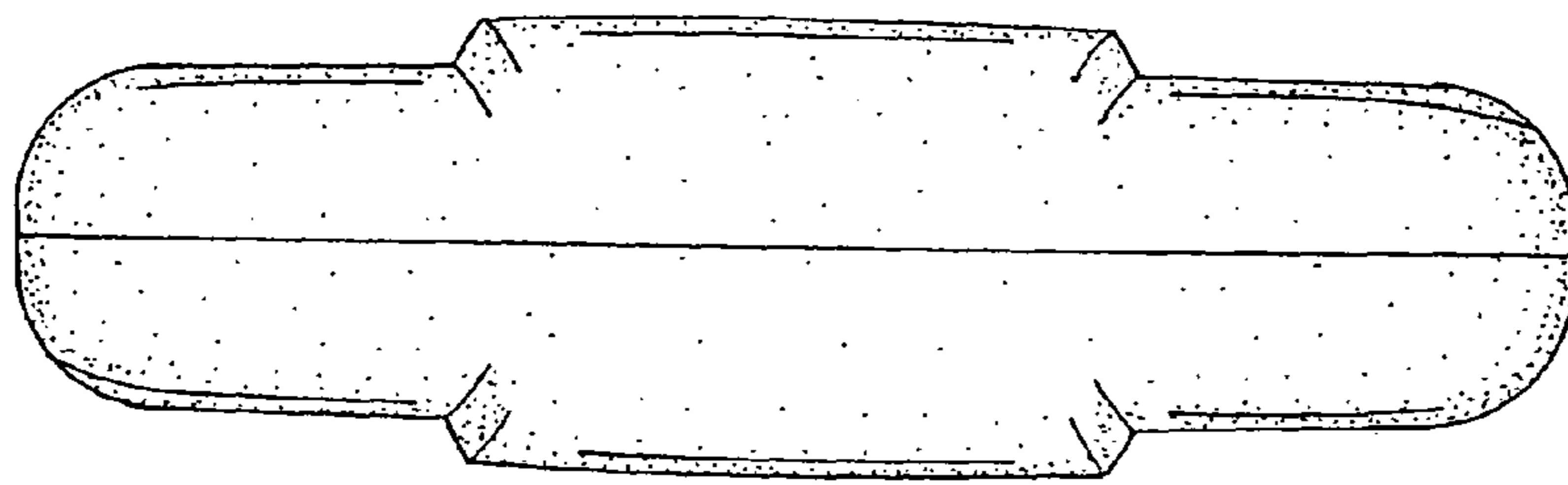


Fig. 5

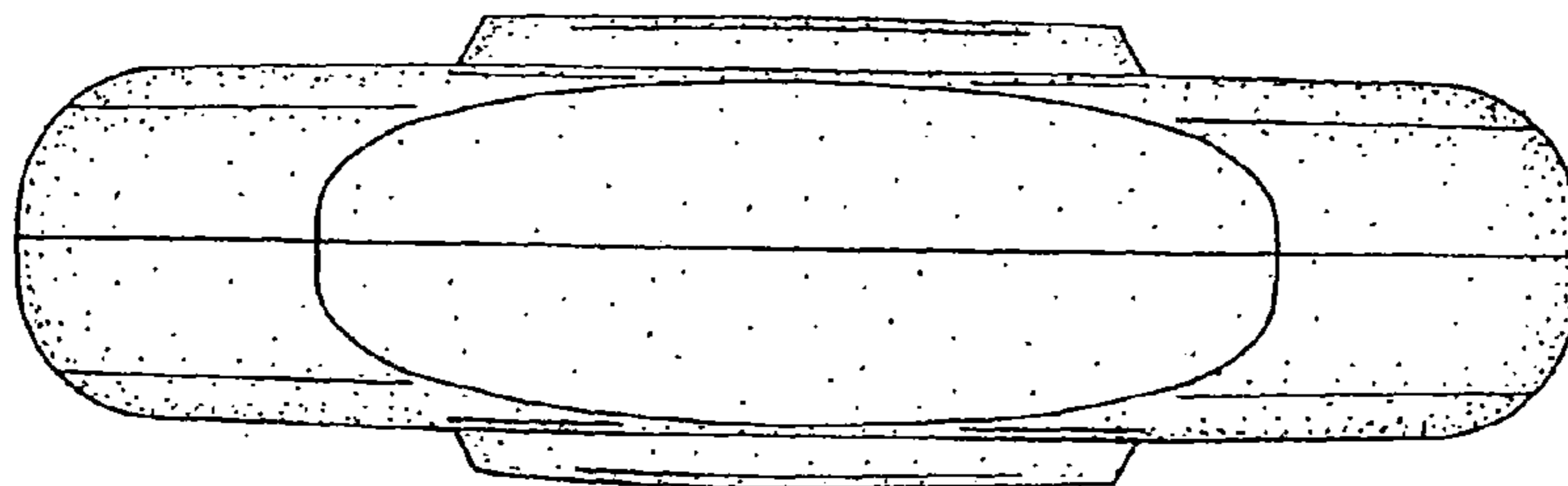


Fig. 6

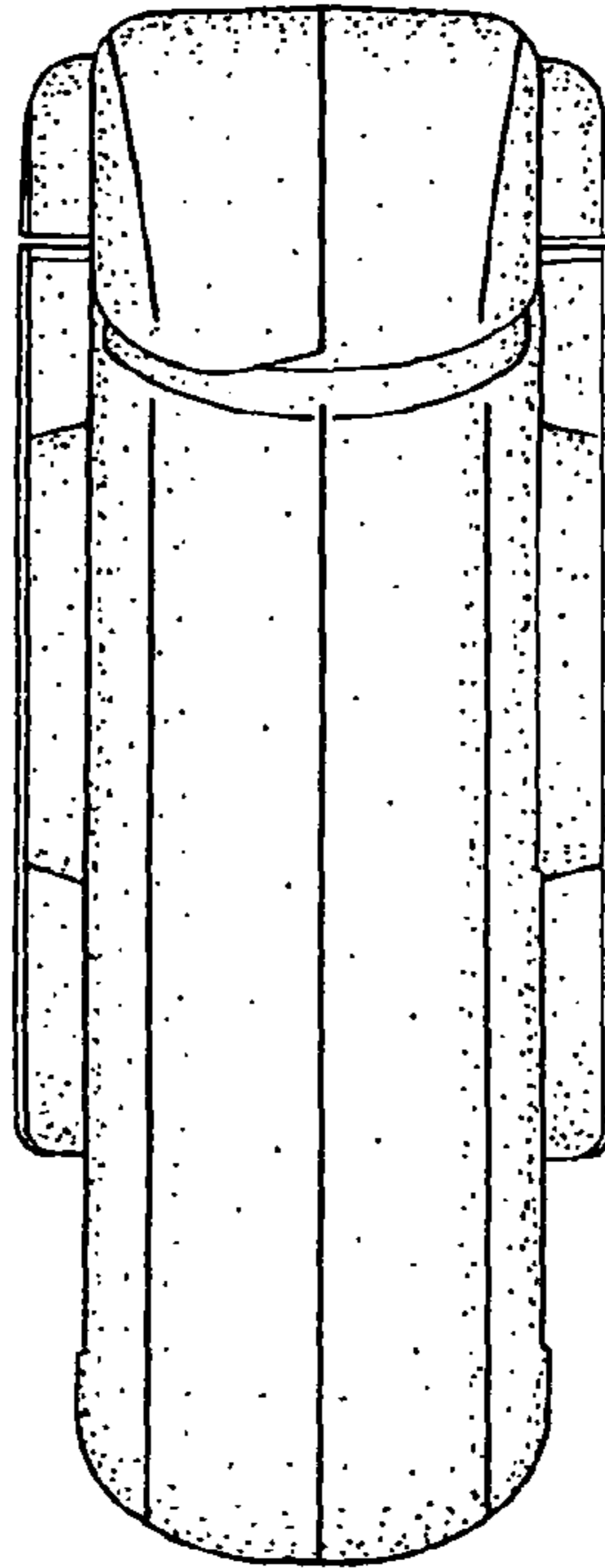


Fig. 7

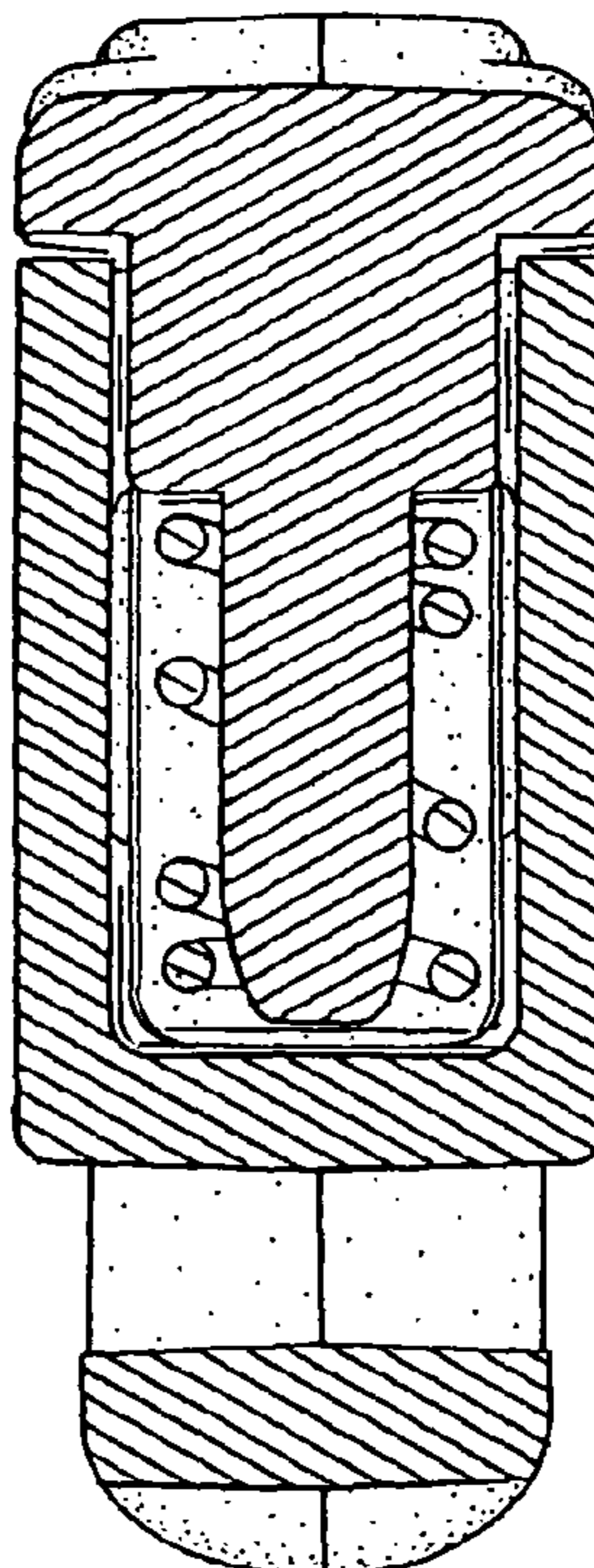


Fig. 8

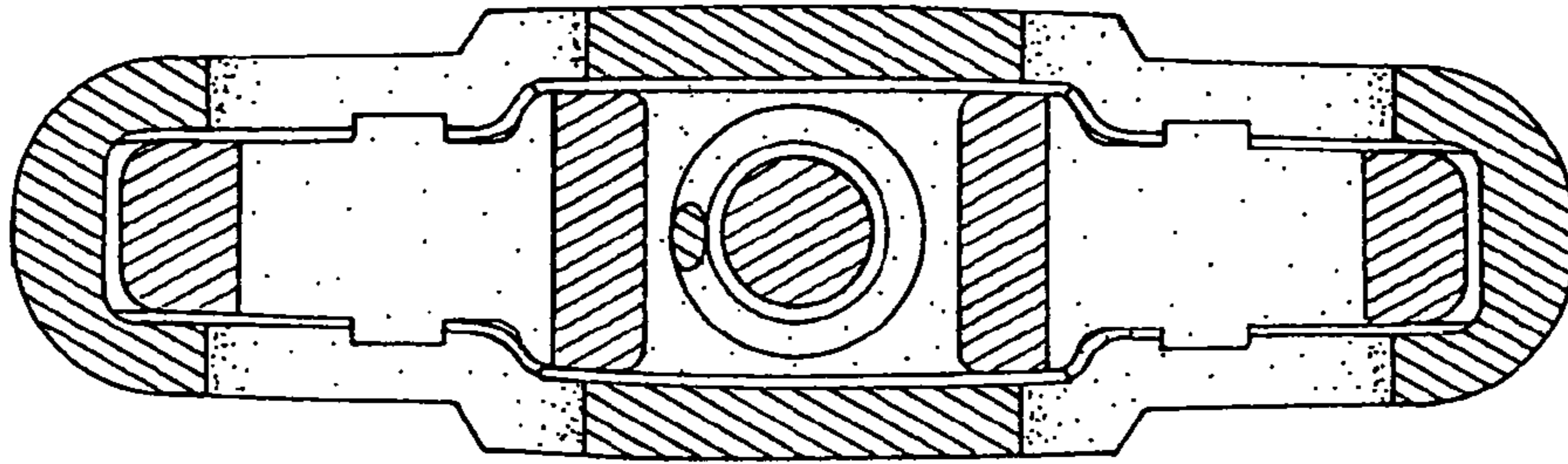


Fig. 9

