



US00D615388S

(12) **United States Design Patent**  
**Prichard**

(10) **Patent No.:** **US D615,388 S**

(45) **Date of Patent:** **\*\* May 11, 2010**

(54) **ANGLED BRACKET**

(75) **Inventor:** **Mark A. Prichard**, Glen Ellyn, IL (US)

(73) **Assignee:** **Control Solutions LLC**, Aurora, IL (US)

(\*\*) **Term:** **14 Years**

(21) **Appl. No.:** **29/344,649**

(22) **Filed:** **Oct. 1, 2009**

(51) **LOC (9) Cl.** ..... **08-05**

(52) **U.S. Cl.** ..... **D8/354**

(58) **Field of Classification Search** ..... D8/349,  
D8/354, 373, 380, 382; D12/223; D25/68,  
D25/102, 119, 121, 126, 133; 248/188, 188.8,  
248/205.1, 247, 248, 309.1; 52/275, 696,  
52/287.1, 288.1; 403/205, 403  
See application file for complete search history.

(56) **References Cited**

**U.S. PATENT DOCUMENTS**

D175,229 S *	7/1955	Neufeld	.....	D25/102
4,812,075 A *	3/1989	Lavin, Sr.	.....	403/403
D322,551 S *	12/1991	Tosevski	.....	D8/349
D349,166 S *	7/1994	Beard, Jr.	.....	D25/102
D358,755 S *	5/1995	Davis	.....	D8/354
D378,422 S *	3/1997	Howe	.....	D25/102
D400,080 S *	10/1998	Beard, Jr.	.....	D8/354
D408,716 S *	4/1999	Vesledahl	.....	D8/354

D429,208 S *	8/2000	McCoy et al.	.....	D12/223
D467,858 S *	12/2002	Misch	.....	D12/223
D469,337 S *	1/2003	Chen	.....	D8/349
D485,485 S *	1/2004	Loken et al.	.....	D8/349
D556,015 S *	11/2007	Muchnik	.....	D8/354
D595,114 S *	6/2009	Hamilton et al.	.....	D8/349
D606,384 S *	12/2009	Antonic	.....	D8/354

\* cited by examiner

*Primary Examiner*—Philip S Hyder

*Assistant Examiner*—Cynthia M Chin

(74) *Attorney, Agent, or Firm*—The Eclipse Group LLP

(57) **CLAIM**

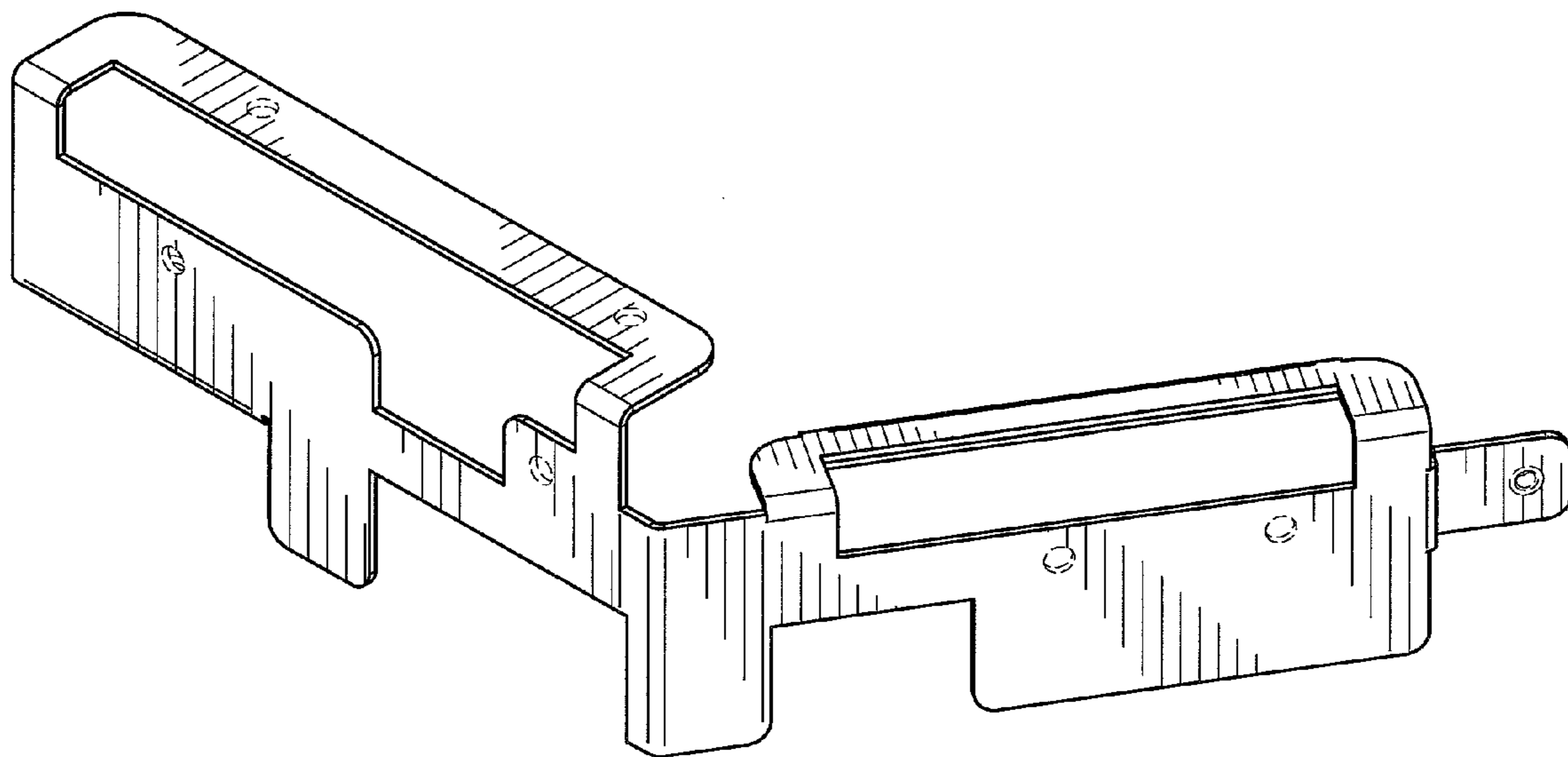
I claim the ornamental design for an angled bracket, as shown and described.

**DESCRIPTION**

FIG. 1 is a top right perspective view of the angled bracket;  
FIG. 2 is a front view thereof;  
FIG. 3 is a bottom view thereof;  
FIG. 4 is a top view thereof;  
FIG. 5 is a rear view thereof;  
FIG. 6 is a left view thereof; and,  
FIG. 7 is a right view thereof.

The dashed lines throughout all figures represent portions of the design that form no part of the claim.

**1 Claim, 4 Drawing Sheets**



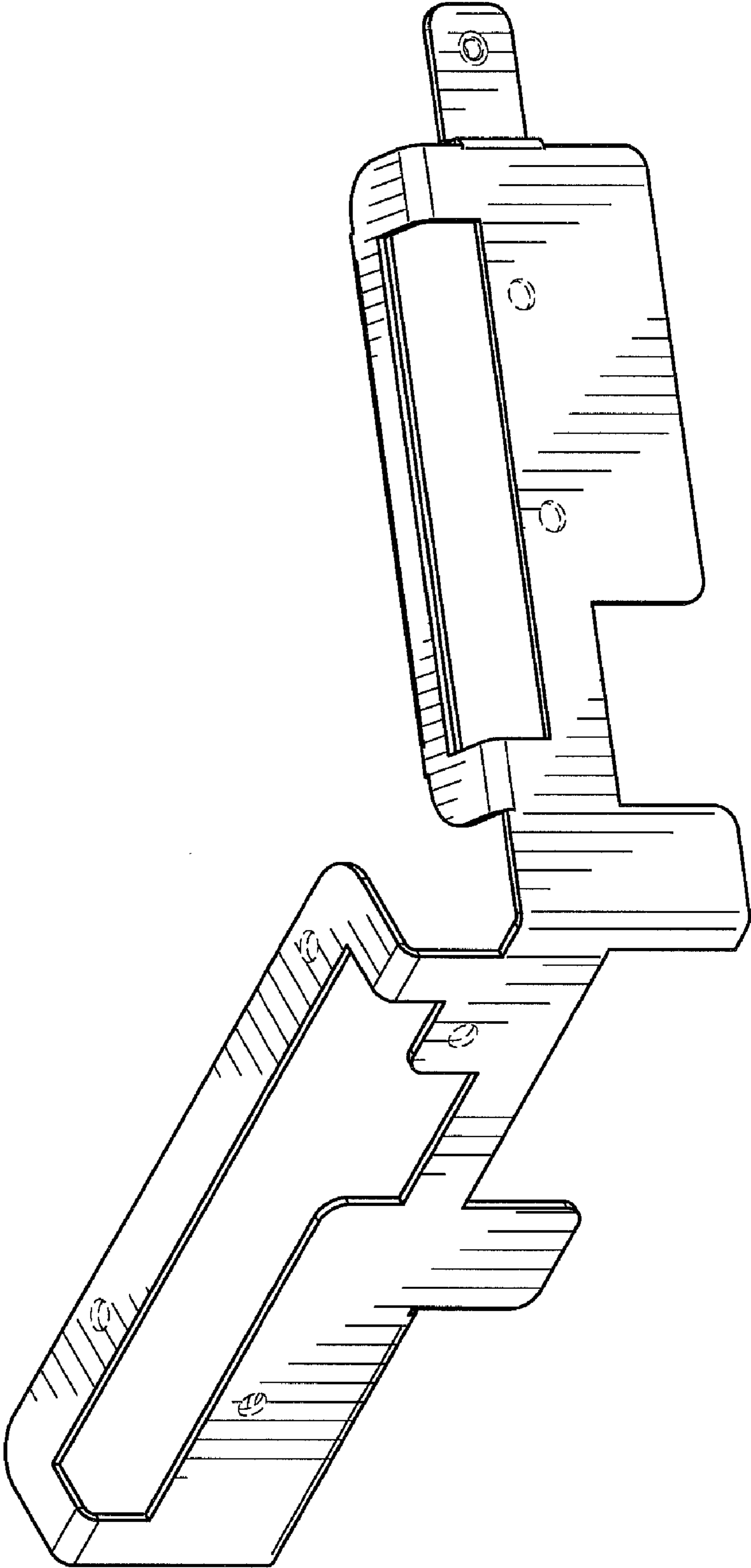


FIG. 1

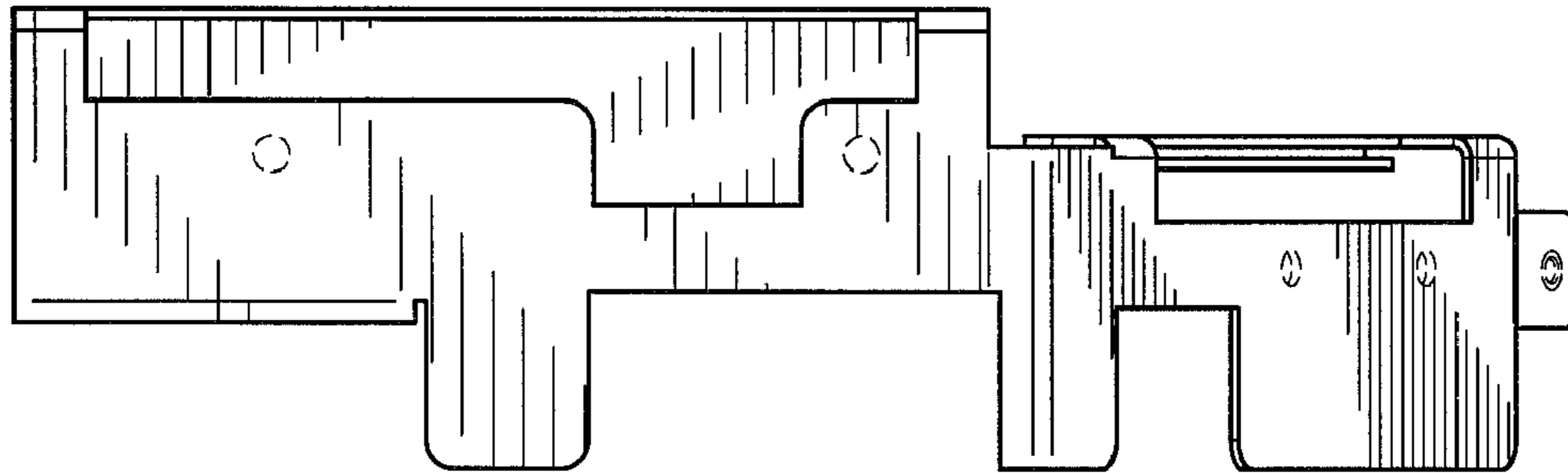


FIG. 2

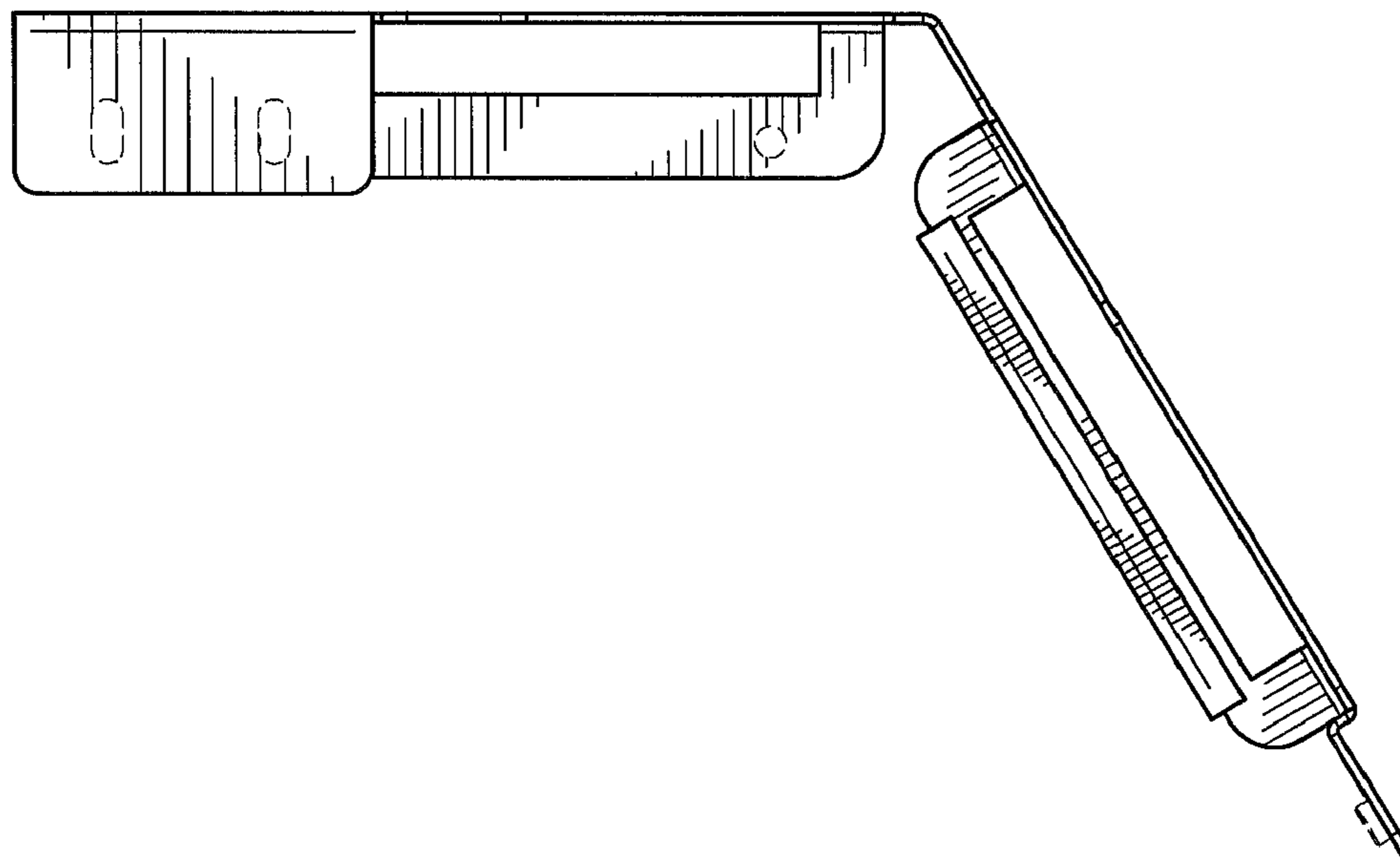


FIG. 3

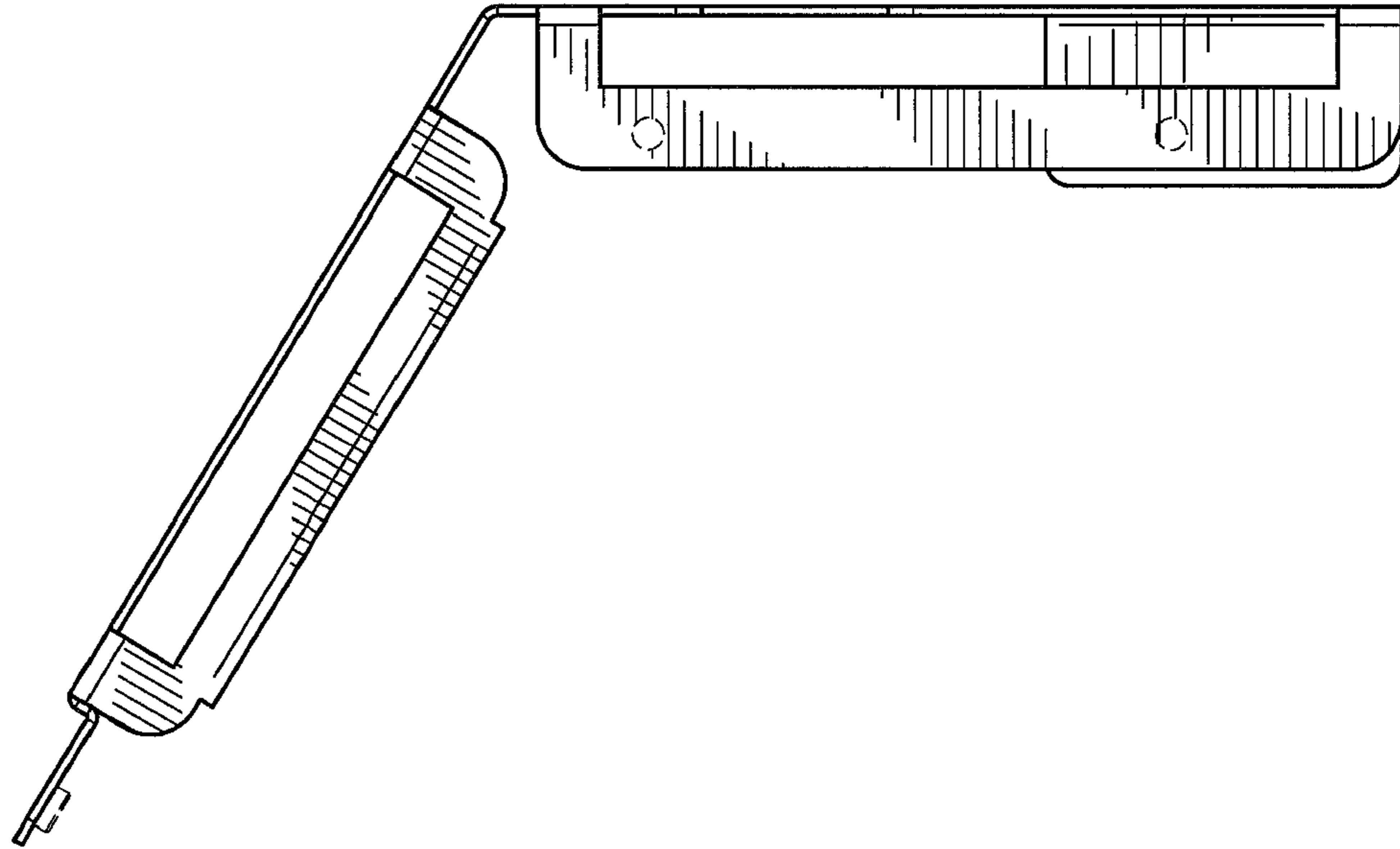


FIG. 4

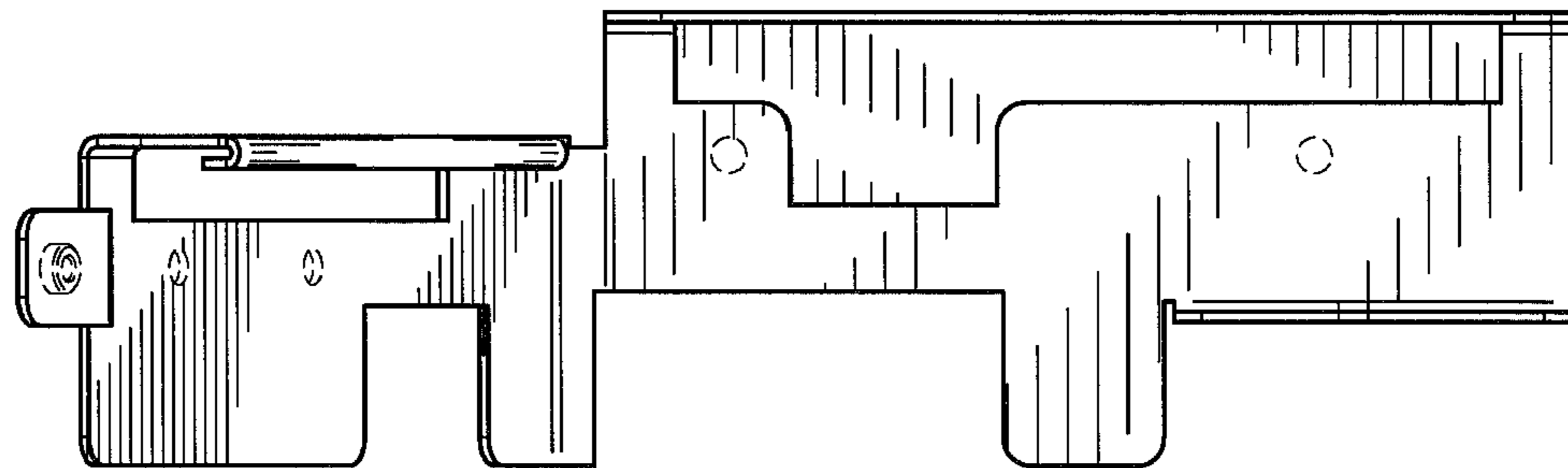


FIG. 5

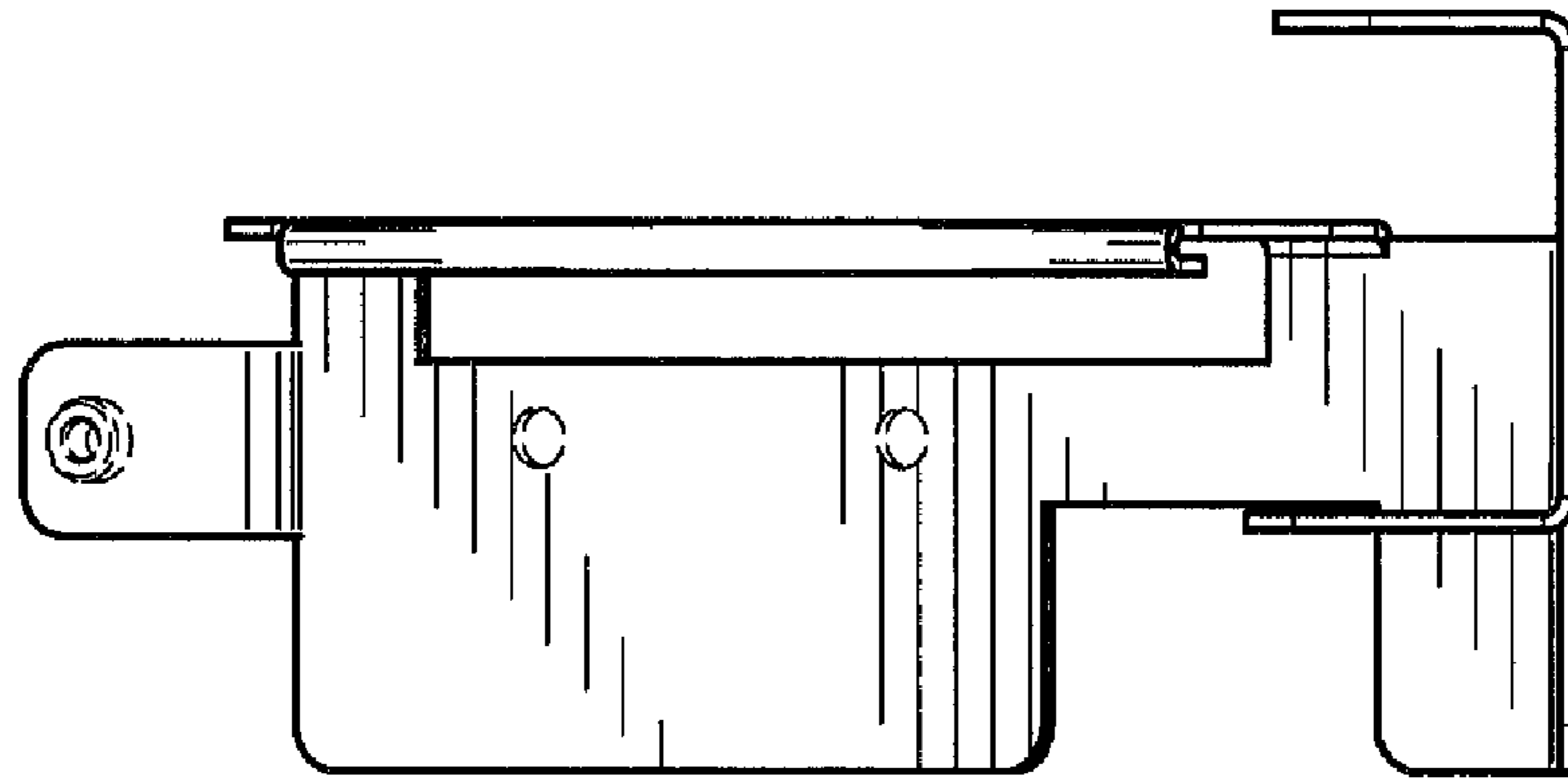


FIG. 6

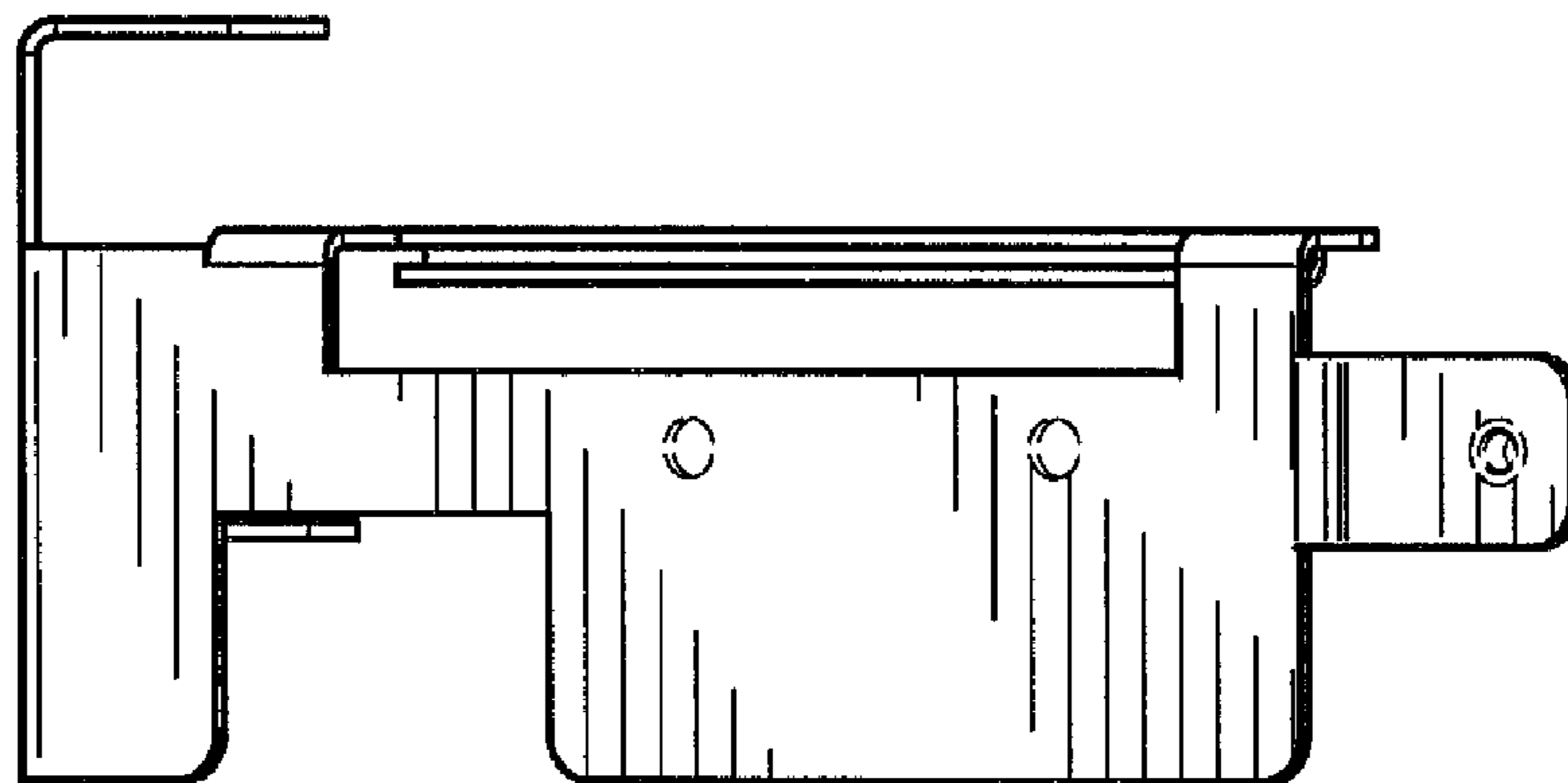


FIG. 7