



US00D615387S

(12) **United States Design Patent**
Prichard

(10) **Patent No.:** **US D615,387 S**

(45) **Date of Patent:** **** May 11, 2010**

(54) **ANGLED BRACKET**

(75) Inventor: **Mark A. Prichard**, Glen Ellyn, IL (US)

(73) Assignee: **Control Solutions LLC**, Aurora, IL (US)

(**) Term: **14 Years**

(21) Appl. No.: **29/344,648**

(22) Filed: **Oct. 1, 2009**

(51) **LOC (9) Cl.** **08-05**

(52) **U.S. Cl.** **D8/354**

(58) **Field of Classification Search** D8/349,
D8/354, 373, 380, 382; D12/223; D25/68,
D25/119, 121, 126, 133; 248/205.1, 247,
248/248, 309.1; 52/696, 287.1, 288.1
See application file for complete search history.

(56) **References Cited**

U.S. PATENT DOCUMENTS

D259,083	S	*	5/1981	Riegsecker	D8/394
4,603,517	A	*	8/1986	Lyons, Jr.	52/288.1
D358,755	S	*	5/1995	Davis	D8/354
D370,080	S	*	5/1996	Stultz	D8/380
D375,314	S	*	11/1996	Tagliani	D8/349
D376,805	S	*	12/1996	Johansson	D8/349
D397,667	S	*	9/1998	White	D12/223
D408,716	S	*	4/1999	Vesledahl	D8/354
D445,668	S	*	7/2001	Hills, Sr.	D8/354
D467,858	S	*	12/2002	Misch	D12/223

D469,337	S	*	1/2003	Chen	D8/349
D485,485	S	*	1/2004	Loken et al.	D8/349
D520,322	S	*	5/2006	Orlando	D8/354
D579,321	S	*	10/2008	Townley	D8/354
D595,115	S	*	6/2009	Royer	D8/354
D600,535	S	*	9/2009	Rix	D8/354

* cited by examiner

Primary Examiner—Philip S Hyder

Assistant Examiner—Cynthia M Chin

(74) *Attorney, Agent, or Firm*—The Eclipse Group LLP

(57) **CLAIM**

I claim the ornamental design for an angled bracket, as shown and described.

DESCRIPTION

FIG. 1 is a top left perspective view of the angled bracket;

FIG. 2 is a top right perspective view thereof;

FIG. 3 is a left view thereof;

FIG. 4 is a front view thereof;

FIG. 5 is a right view thereof

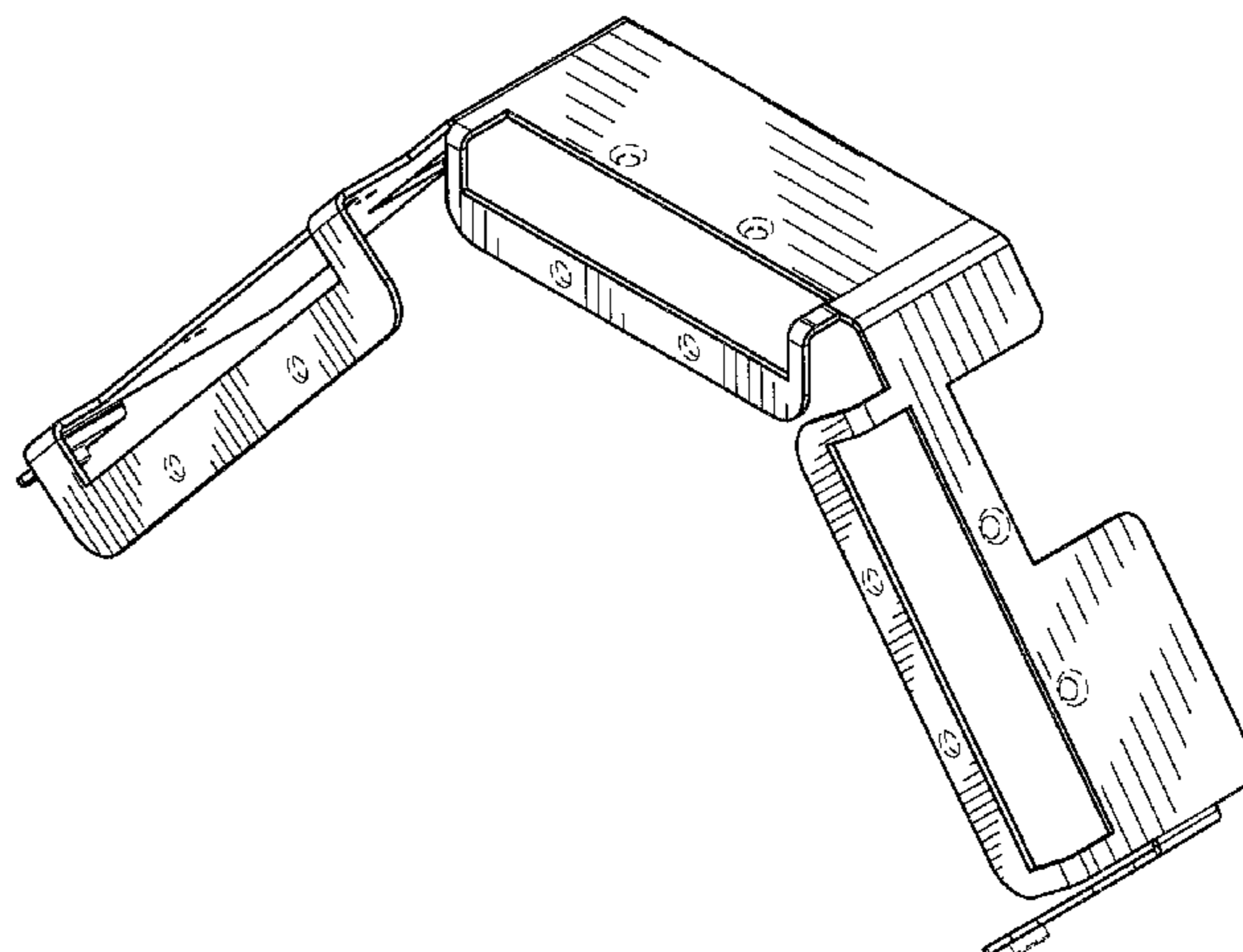
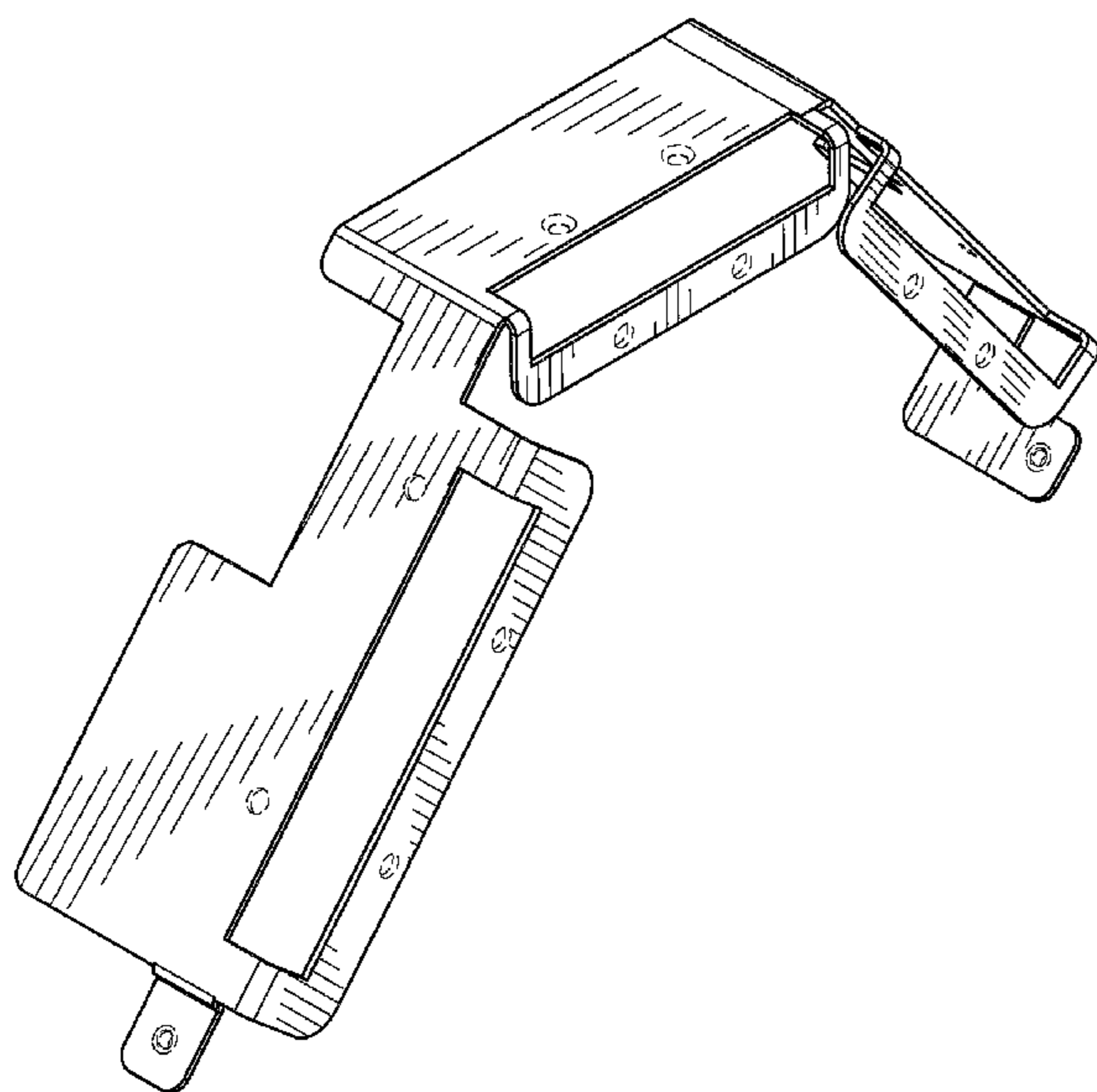
FIG. 6 is a rear view thereof;

FIG. 7 is a top view thereof; and,

FIG. 8 is a bottom view thereof.

The dashed lines throughout all figures represent portions of the design that form no part of the claim.

1 Claim, 5 Drawing Sheets



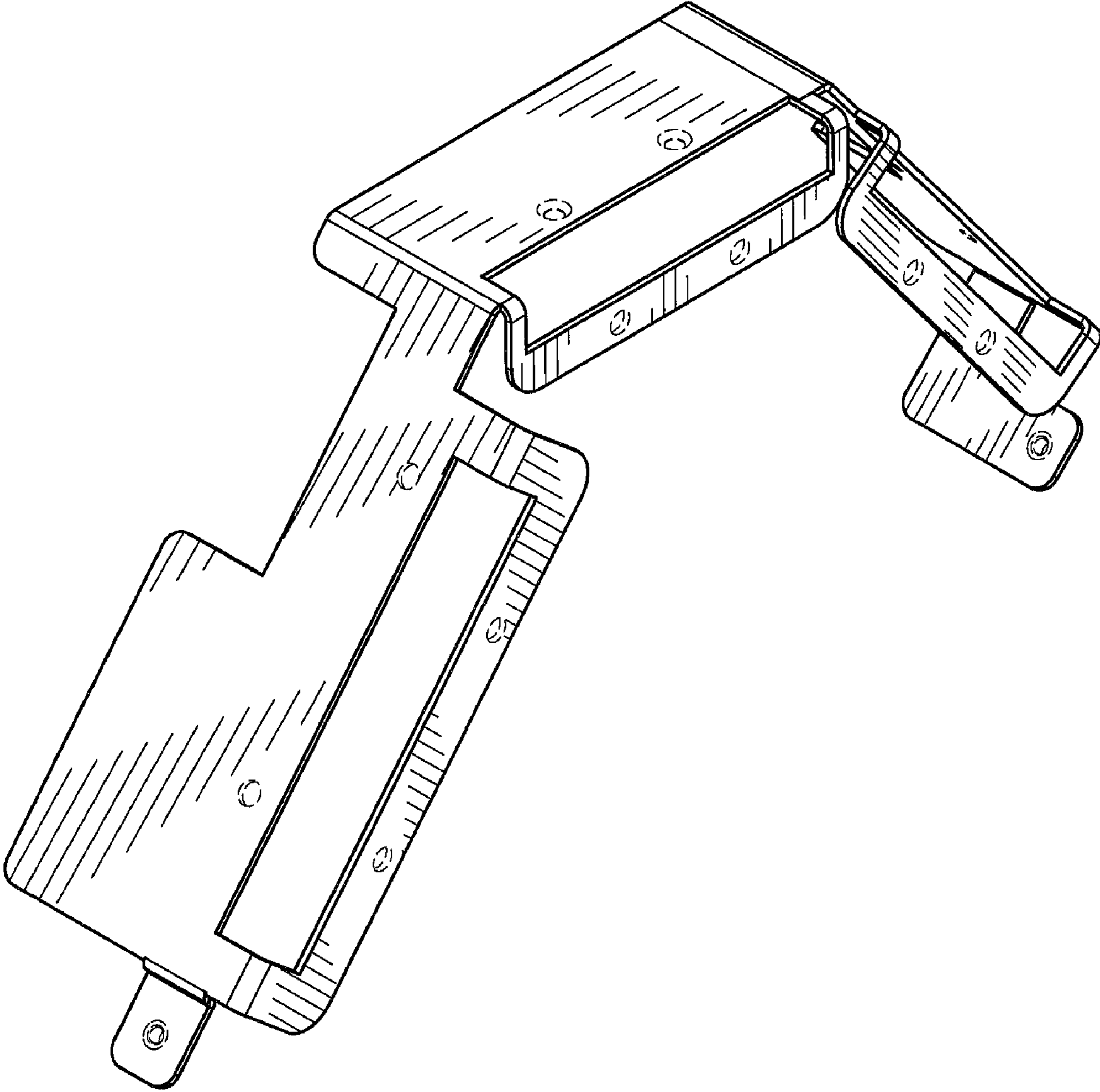


FIG. 1

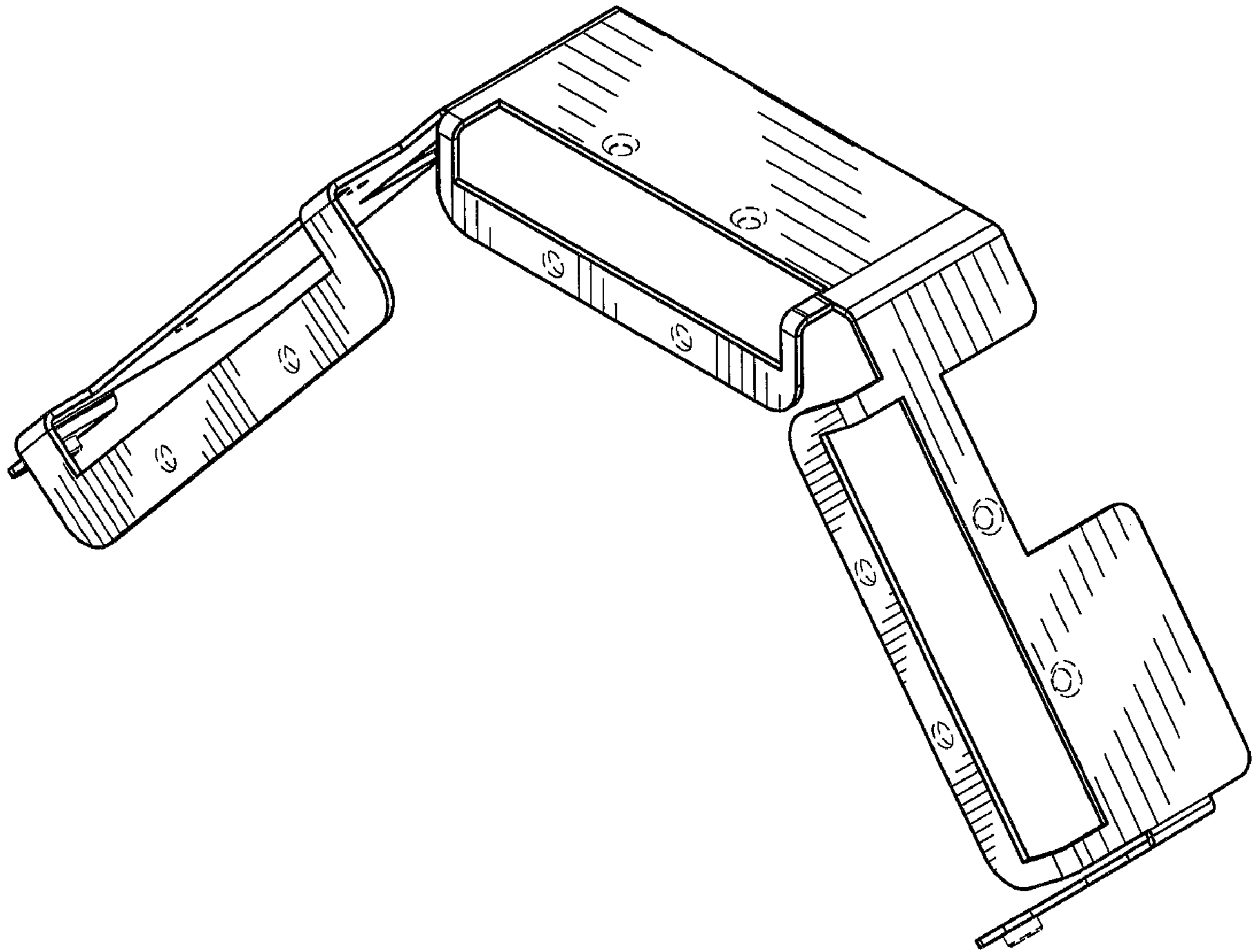


FIG. 2

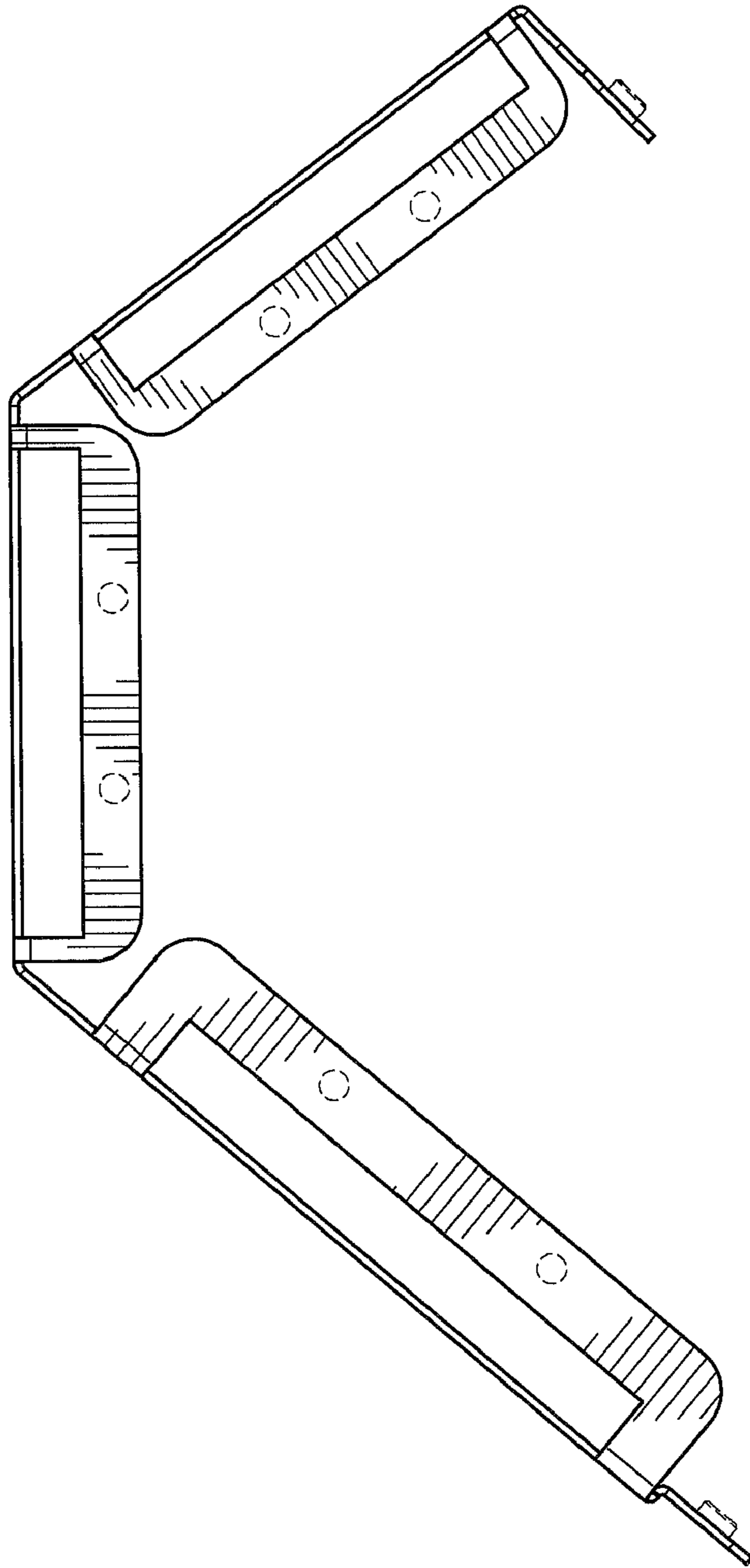


FIG. 4

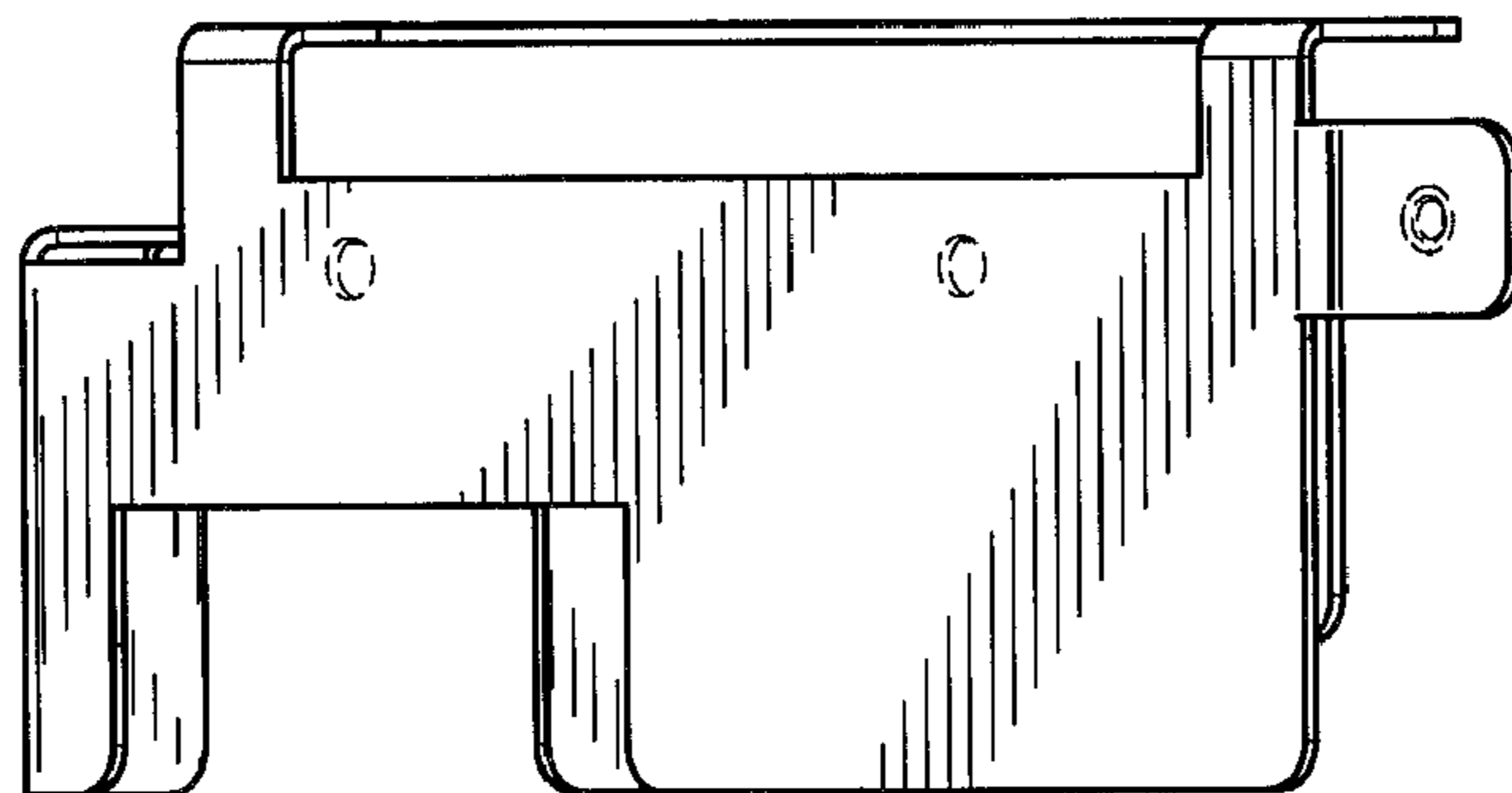


FIG. 3

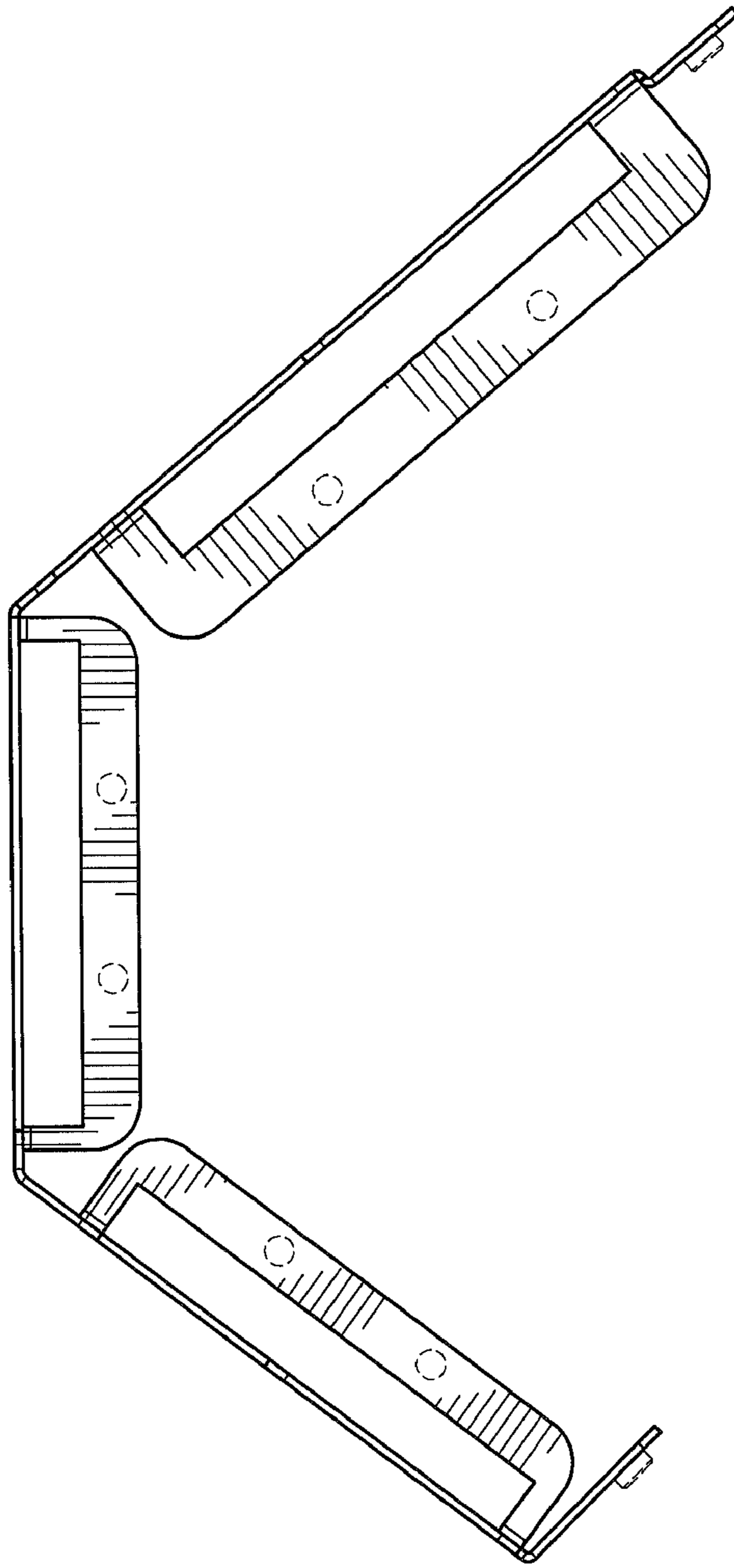


FIG. 6

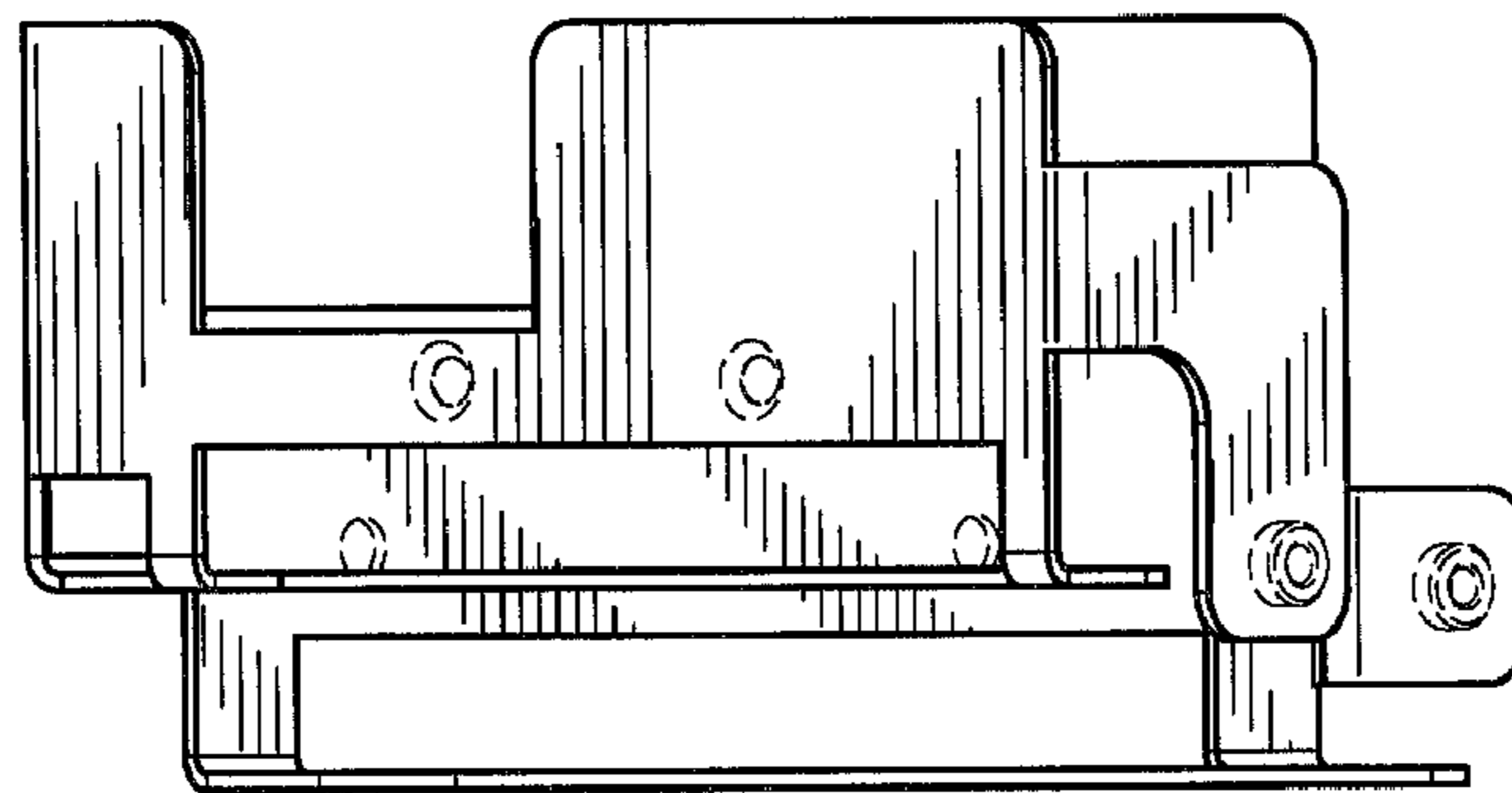


FIG. 5

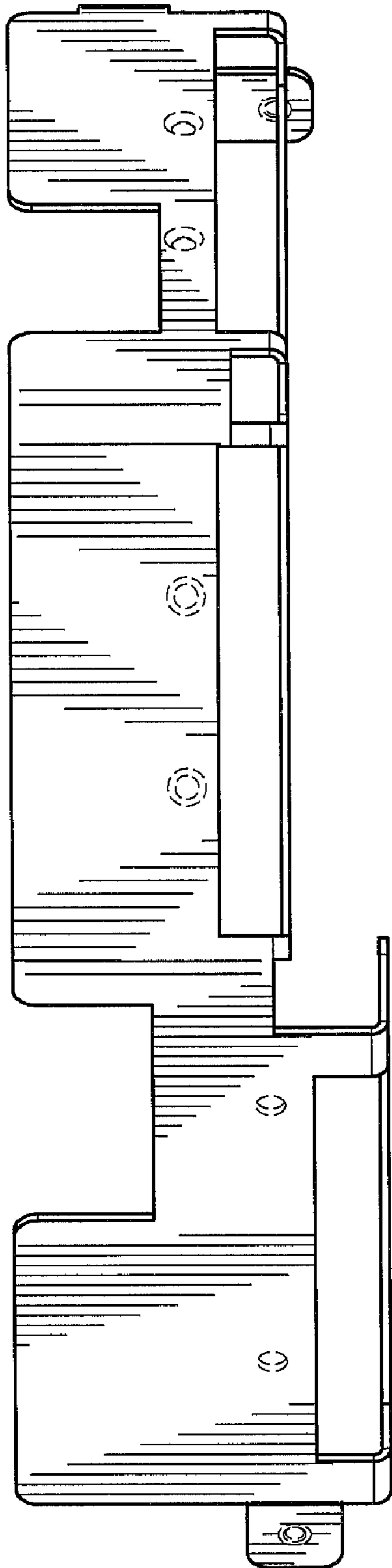


FIG. 7

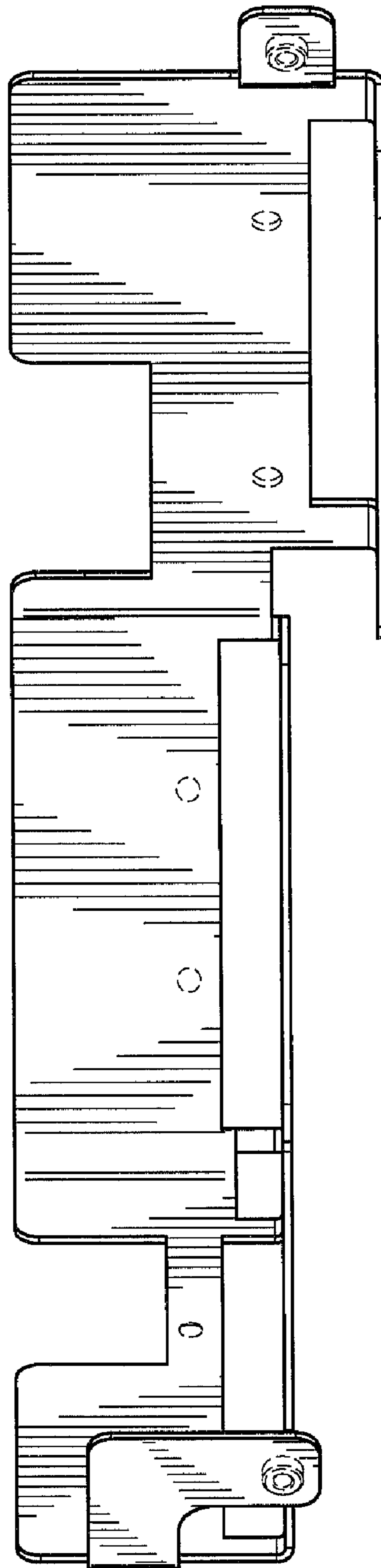


FIG. 8