



US00D615386S

(12) **United States Design Patent**
Hardin et al.

(10) **Patent No.:** **US D615,386 S**
(45) **Date of Patent:** **** May 11, 2010**

(54) **BRACKET**

(76) Inventors: **Grady Hardin**, 1725 Colborne Dr.,
Mesquite, TX (US) 75149; **Deborah**
Hardin, 1725 Colborne Dr., Mesquite,
TX (US) 75149

(**) Term: **14 Years**

(21) Appl. No.: **29/316,669**

(22) Filed: **Oct. 21, 2009**

(51) **LOC (9) Cl.** **08-05**

(52) **U.S. Cl.** **D8/354**

(58) **Field of Classification Search** D8/333,
D8/349, 354, 356, 373, 394, 396; D12/203,
D12/223; D25/62, 69; D20/142; 248/61–65,
248/200, 201, 229.1, 300, 499, 535; 52/23
See application file for complete search history.

(56) **References Cited**

U.S. PATENT DOCUMENTS

3,754,733	A *	8/1973	Foster	52/23
3,989,226	A	11/1976	Burgess		
4,621,783	A	11/1986	Wier		
D302,519	S *	8/1989	Butler	D8/373
5,009,386	A *	4/1991	Berger et al.	248/62
D326,704	S *	6/1992	Calavan	D8/354
D333,087	S *	2/1993	Tekirian	D8/394
D359,466	S *	6/1995	Eggers et al.	D8/354
D365,271	S *	12/1995	Andryzeck et al.	D8/349
D381,516	S *	7/1997	Andryzeck et al.	D8/349
D401,211	S *	11/1998	Simpson	D12/223
D409,076	S *	5/1999	Wolf	D8/349

D414,675	S *	10/1999	Niswanger	D8/333
D429,389	S *	8/2000	Bostock	D30/142
6,290,214	B1	9/2001	Desouza		
D453,102	S *	1/2002	Postelwait	D8/349
D465,188	S *	11/2002	McCoy et al.	D12/223
D507,475	S *	7/2005	Phillips et al.	D8/349
D518,246	S *	3/2006	Bunjes	D30/142
D602,416	S *	10/2009	Corwin	D12/203
D602,836	S *	10/2009	Simpson et al.	D12/223

* cited by examiner

Primary Examiner—Philip S Hyder

Assistant Examiner—Cynthia M Chin

(74) *Attorney, Agent, or Firm*—Paul R. Martin

(57) **CLAIM**

The ornamental design for a bracket, as shown and described.

DESCRIPTION

FIG. 1 is a perspective view of the bracket of this invention.
FIG. 2 is a plan view from the top of the bracket shown in FIG. 1.

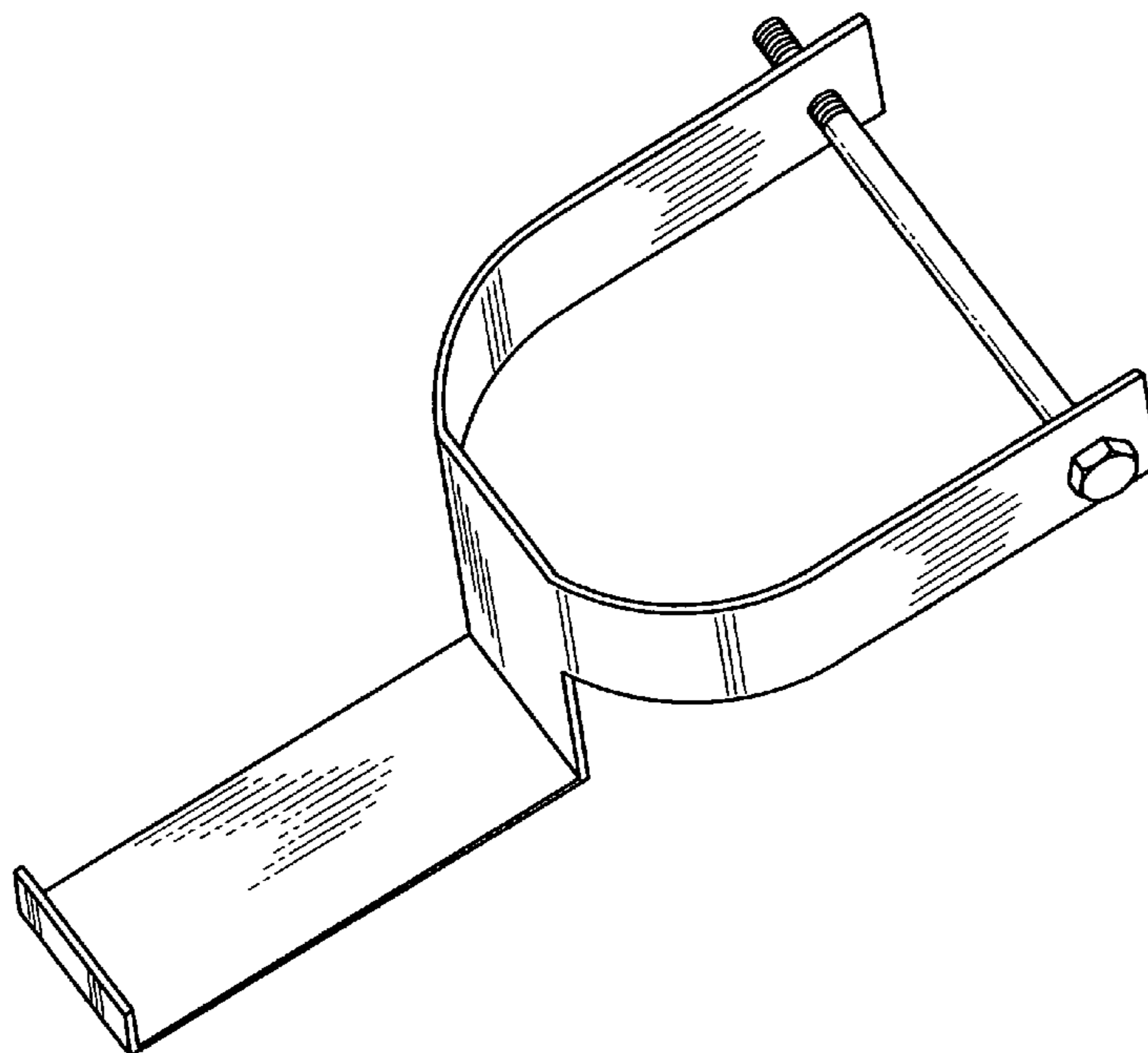
FIG. 3 is a side elevational view of the bracket shown in FIG. 1.

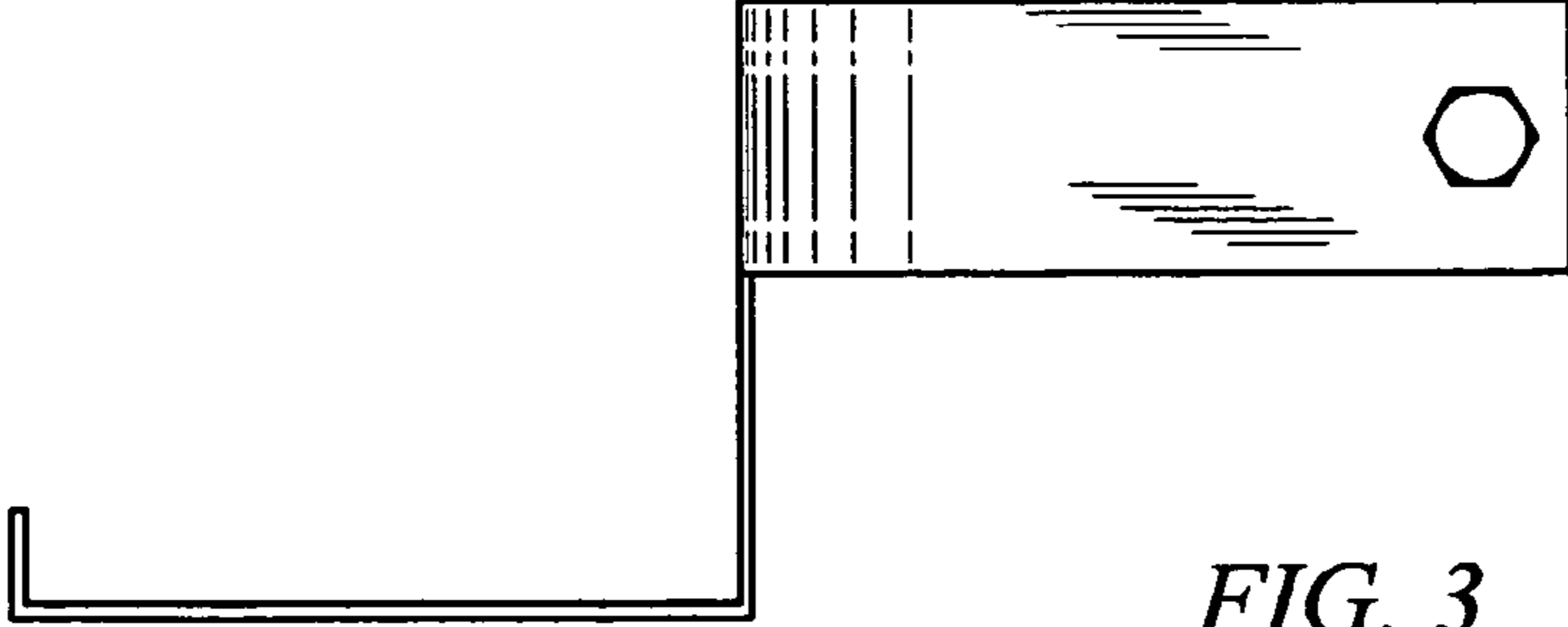
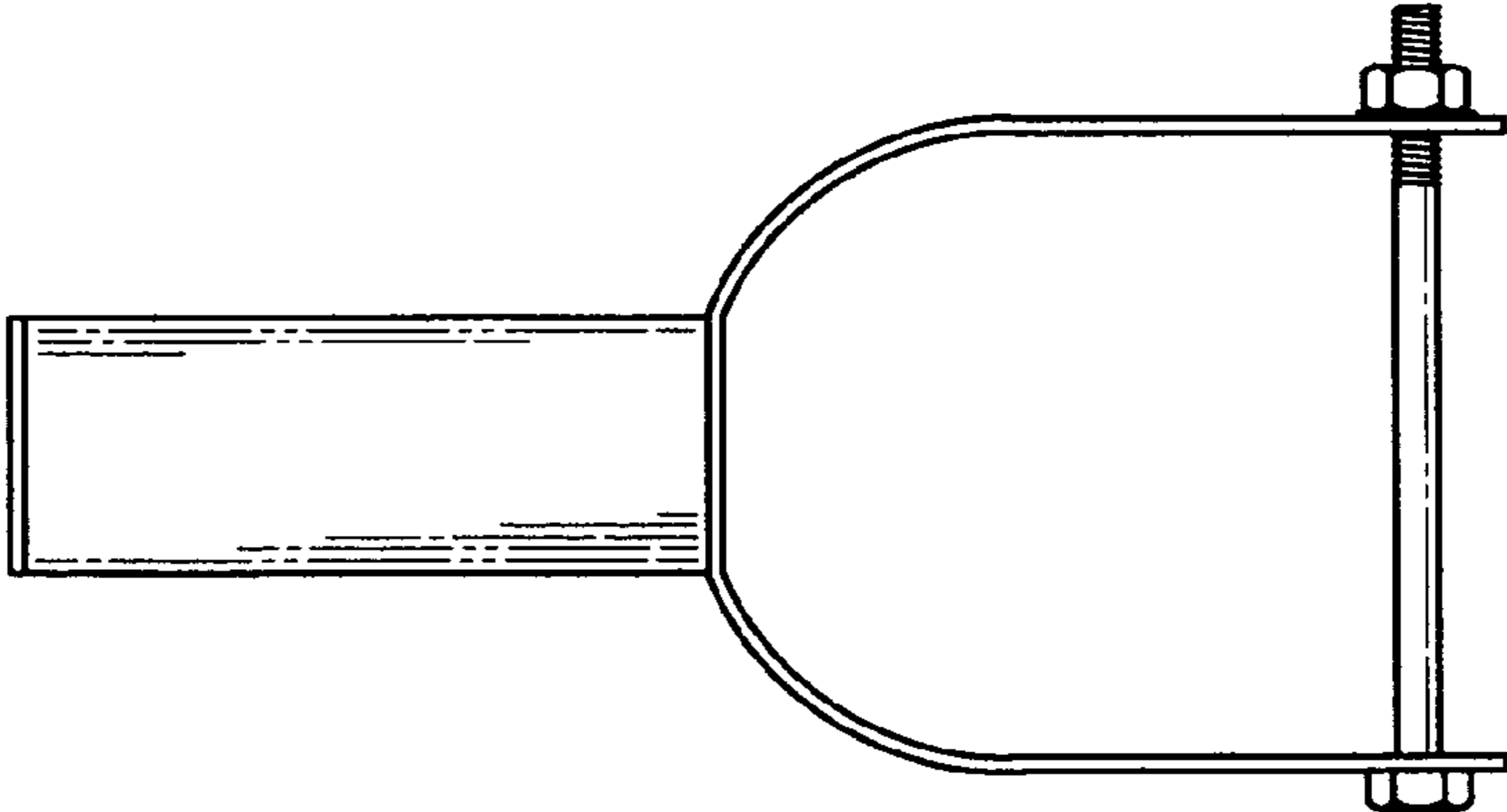
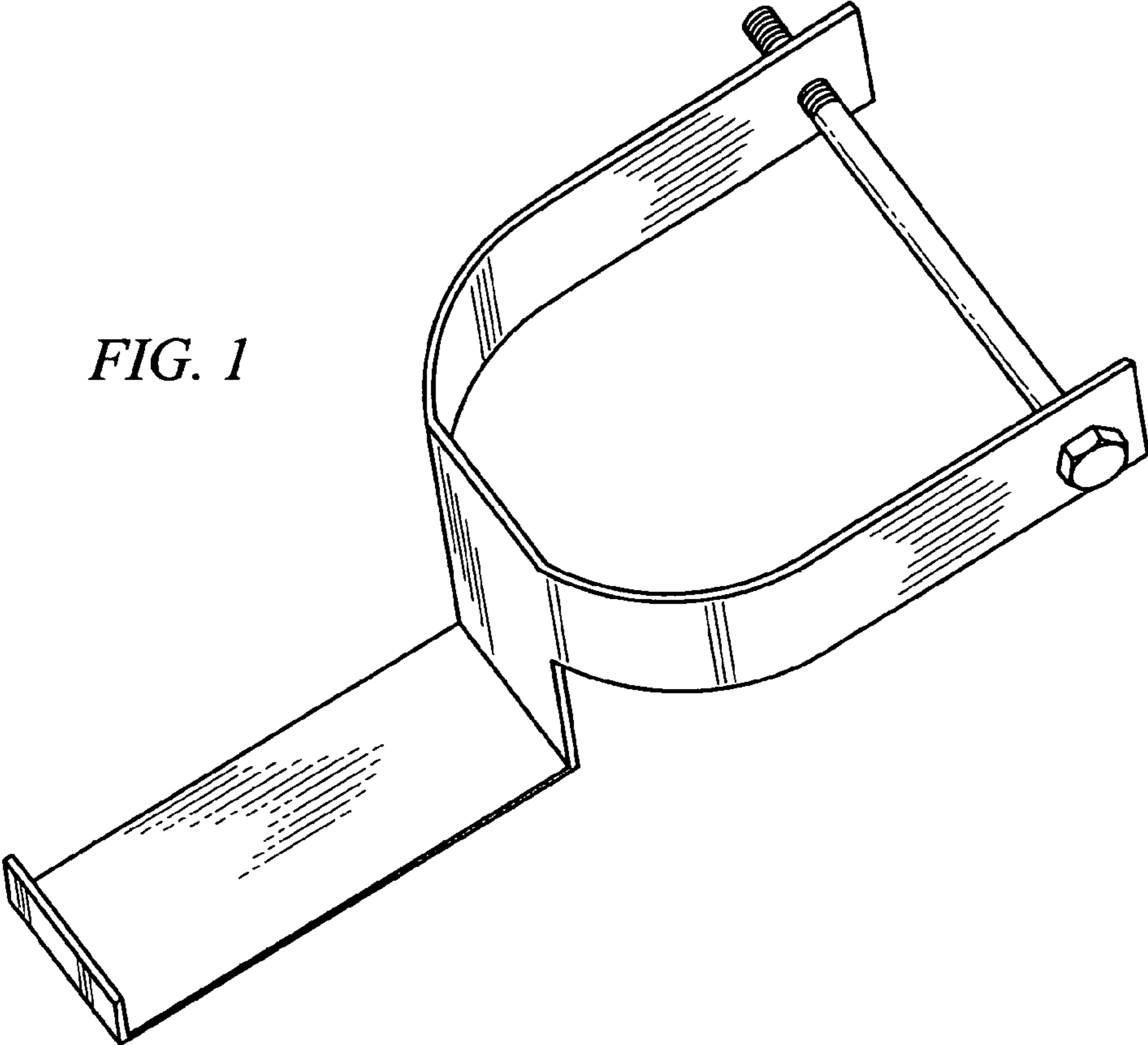
FIG. 4 is a plan view from the bottom of the bracket shown in FIG. 1.

FIG. 5 is an end view from the front of the bracket shown in FIG. 1; and,

FIG. 6 is an end view from the rear of the bracket shown in FIG. 1.

1 Claim, 2 Drawing Sheets





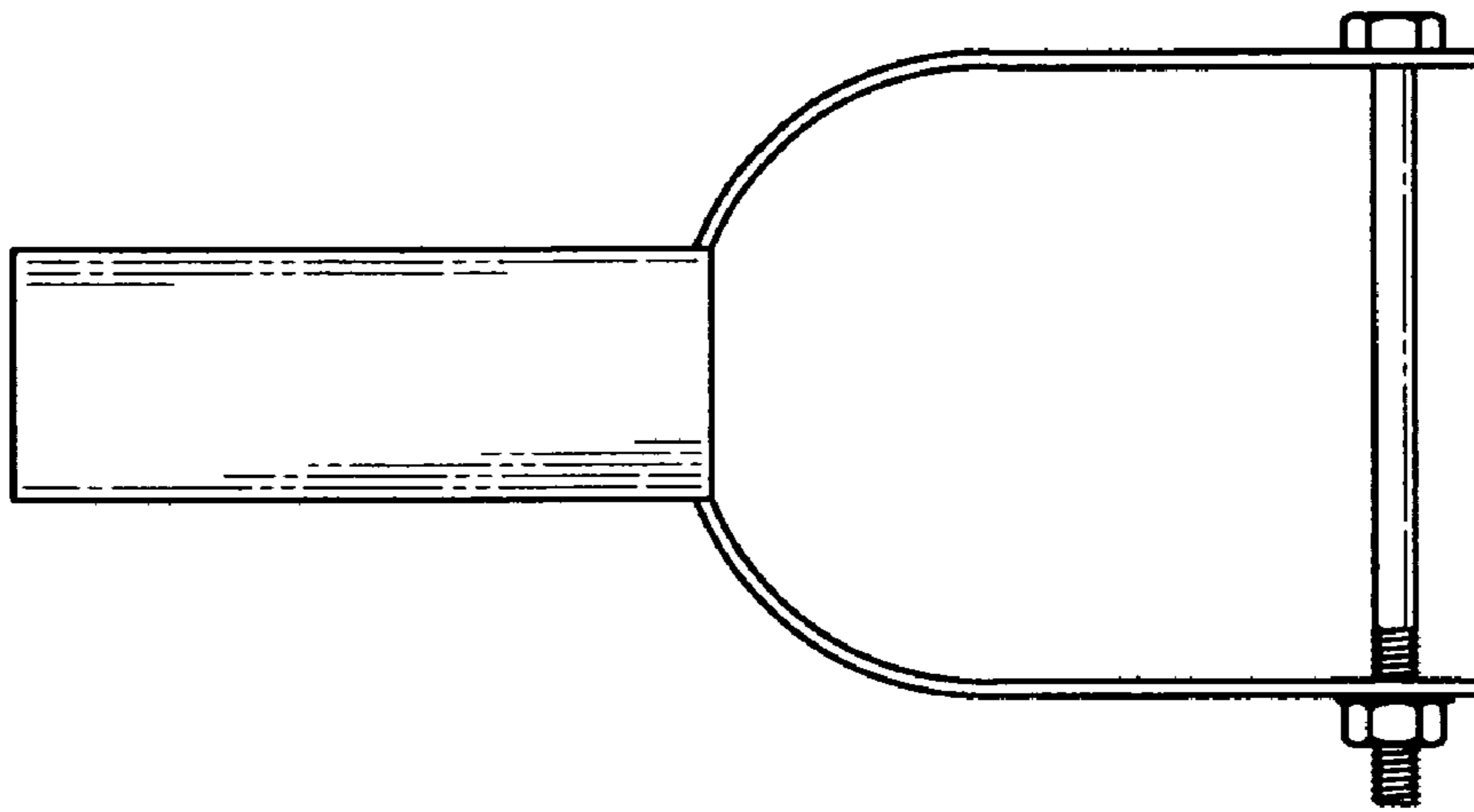


FIG. 4



FIG. 5

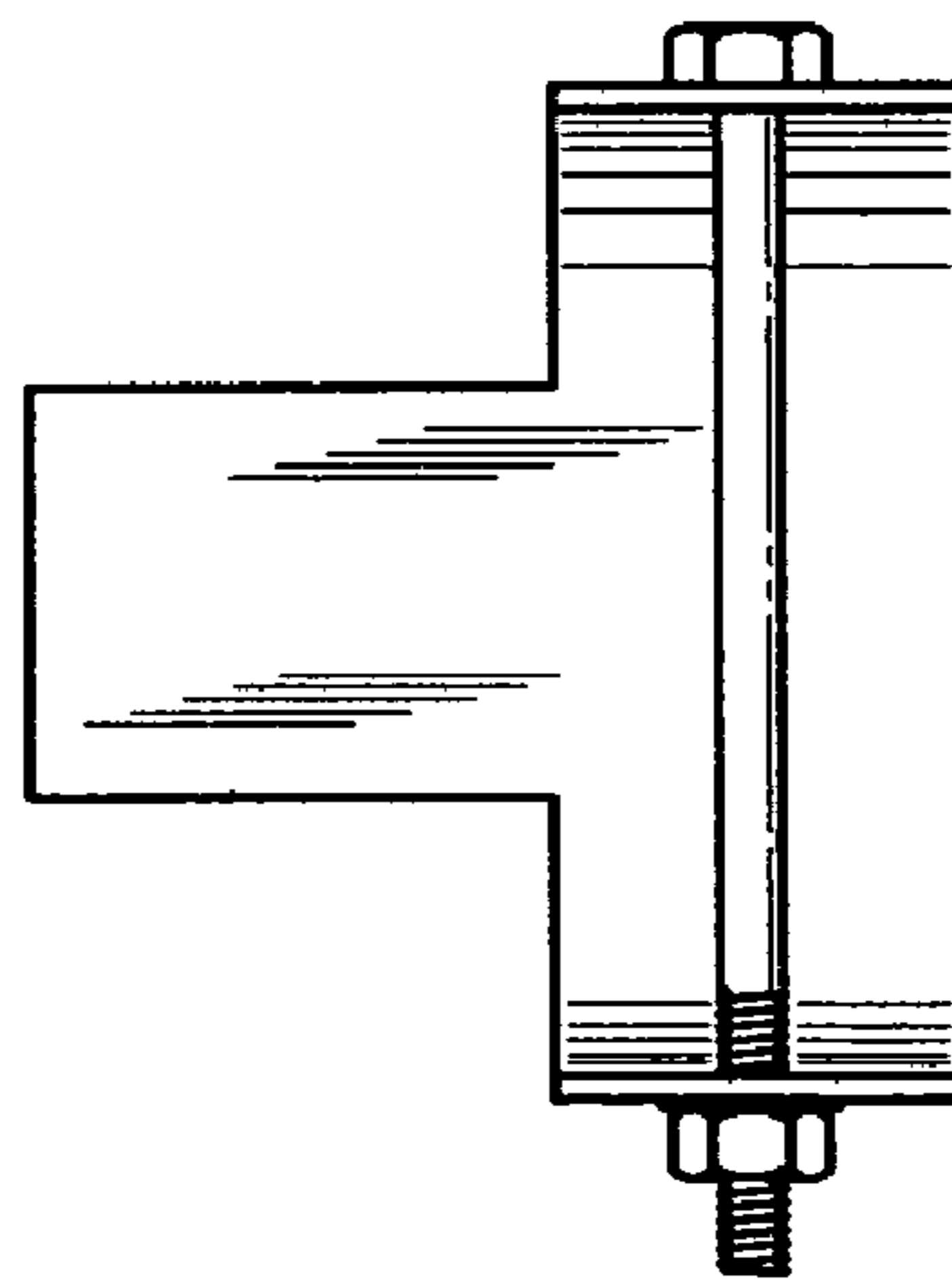


FIG. 6