



US00D615385S

(12) **United States Design Patent**
Arendt

(10) **Patent No.:** **US D615,385 S**

(45) **Date of Patent:** **** May 11, 2010**

(54) **NON-MARKING INTERLOCKING STRAP
DEVICE**

(76) **Inventor:** **Kenneth P. Arendt**, 6847 Dayton Ave.,
Sparta, WI (US) 54656

(**) **Term:** **14 Years**

(21) **Appl. No.:** **29/313,737**

(22) **Filed:** **Feb. 5, 2009**

(51) **LOC (9) Cl.** **08-05**

(52) **U.S. Cl.** **D8/349**

(58) **Field of Classification Search** D8/349,
D8/354, 382, 499; D21/486; 24/16 PB,
24/265 R, 298, 300, 301, 302, 305, 437-441,
24/482, 716

See application file for complete search history.

(56) **References Cited**

U.S. PATENT DOCUMENTS

| | | | | |
|-----------|-----|---------|-----------|----------|
| 1,829,613 | A | 10/1931 | Sato | |
| 1,945,932 | A | 2/1934 | Caley | |
| 2,355,705 | A | 8/1944 | Cohn | |
| 4,466,159 | A * | 8/1984 | Burrage | 24/16 PB |
| D285,948 | S * | 9/1986 | Mazzoleni | D21/486 |
| 4,757,578 | A * | 7/1988 | Lamb | 24/482 |
| D304,212 | S * | 10/1989 | Moe | D21/486 |
| D334,036 | S * | 3/1993 | Olsen | D21/486 |
| 5,253,393 | A * | 10/1993 | Levin | 24/301 |
| D343,872 | S * | 2/1994 | Wallant | D21/486 |
| D377,750 | S * | 2/1997 | Hubbard | D8/354 |

| | | | | |
|-----------|-----|---------|-------------|--------|
| D383,373 | S * | 9/1997 | Boeshart | D8/354 |
| 5,673,464 | A * | 10/1997 | Whittaker | 24/301 |
| D436,018 | S * | 1/2001 | Boeshart | D8/354 |
| 6,276,031 | B1 | 8/2001 | Haiduk | |
| 6,490,767 | B2 | 12/2002 | Haiduk | |
| D543,833 | S * | 6/2007 | Folk et al. | D8/349 |
| D561,007 | S * | 2/2008 | Kaesler | D8/354 |
| D567,635 | S * | 4/2008 | Nankervis | D8/354 |
| D580,257 | S * | 11/2008 | Squyres | D8/349 |

* cited by examiner

Primary Examiner—Philip S Hyder

Assistant Examiner—Cynthia M Chin

(74) *Attorney, Agent, or Firm*—Tipton L. Randall

(57) **CLAIM**

The ornamental design for a non-marking interlocking strap device, as shown and described.

DESCRIPTION

FIG. 1 is a front view of the non-marking interlocking strap device embodying my new design,

FIG. 2 is a rear view thereof,

FIG. 3 is a left side view thereof,

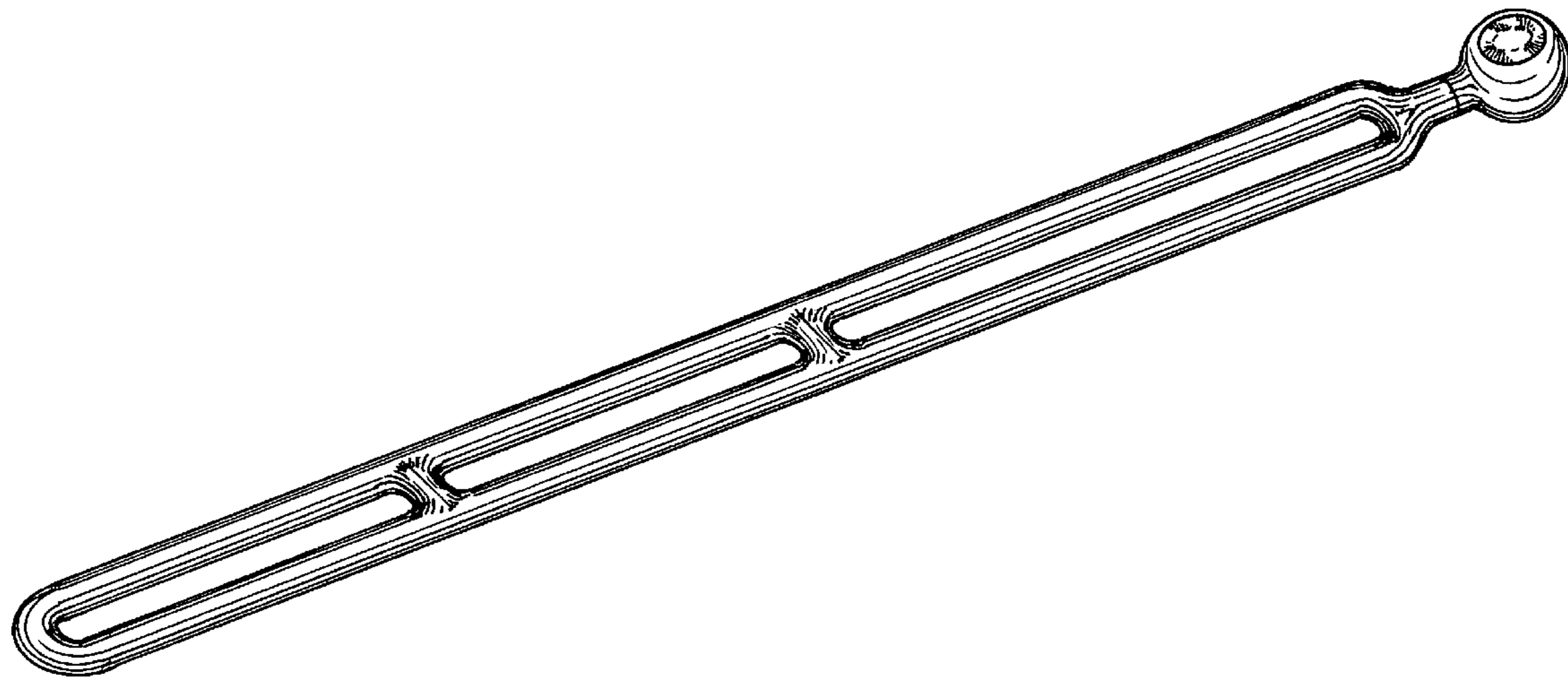
FIG. 4 is a right side view thereof,

FIG. 5 is an enlarged top view thereof,

FIG. 6 is an enlarged bottom view thereof; and,

FIG. 7 is a perspective side view of the non-marking interlocking strap device of the present invention.

1 Claim, 7 Drawing Sheets



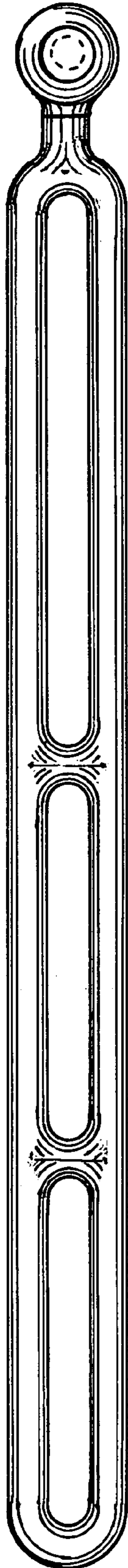


Figure 1

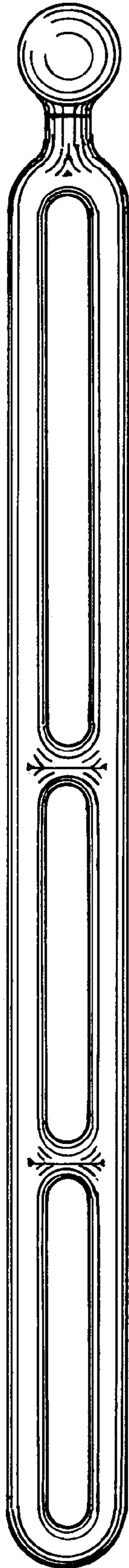


Figure 2

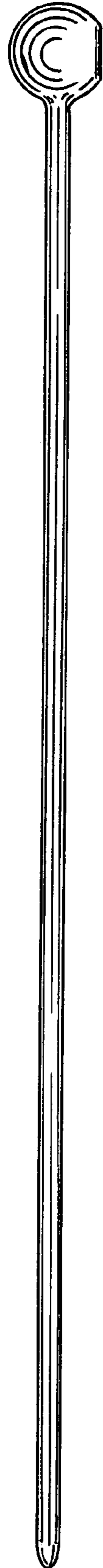


Figure 3

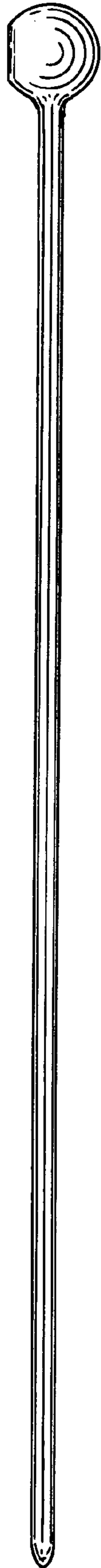


Figure 4

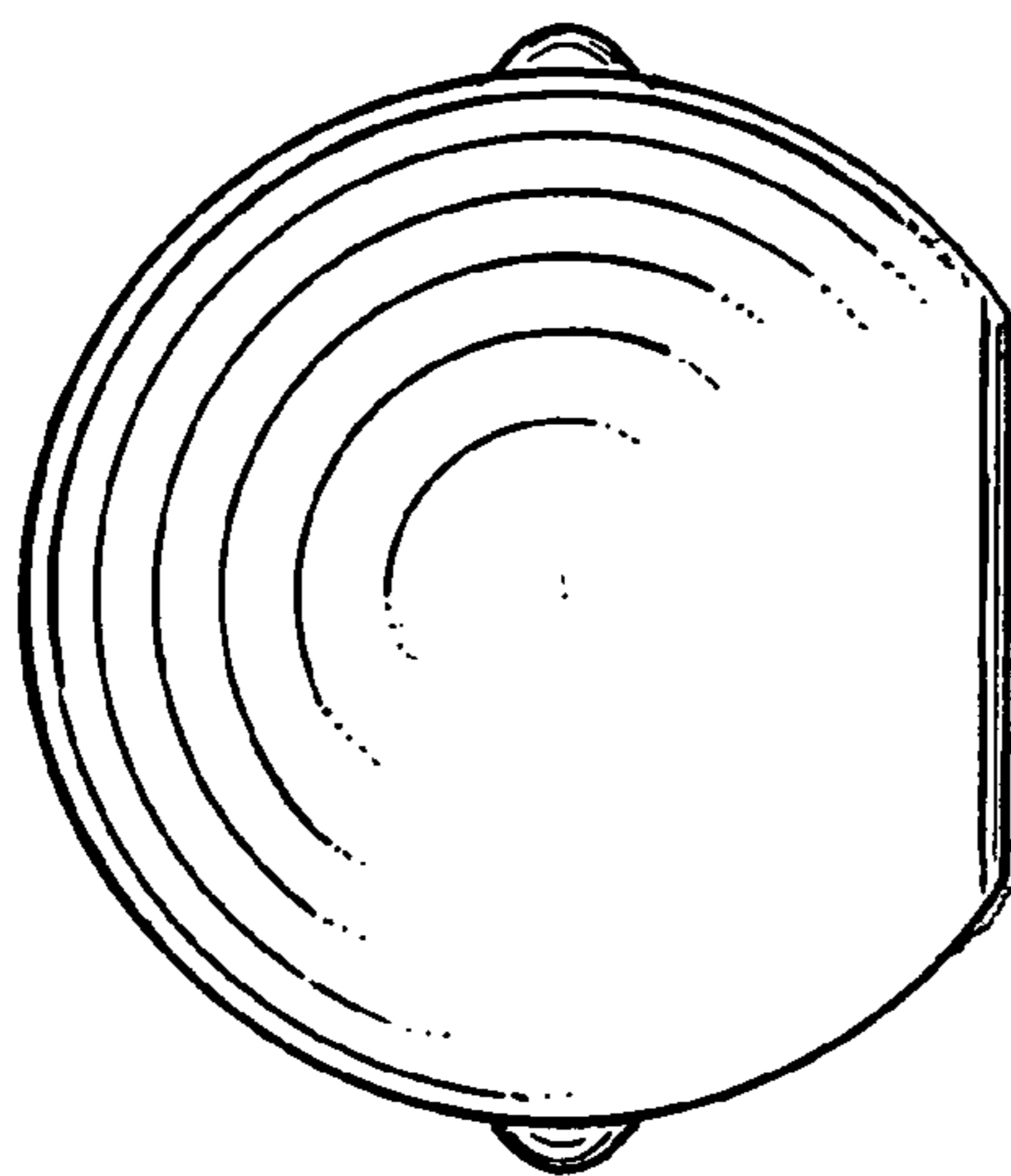


Figure 5

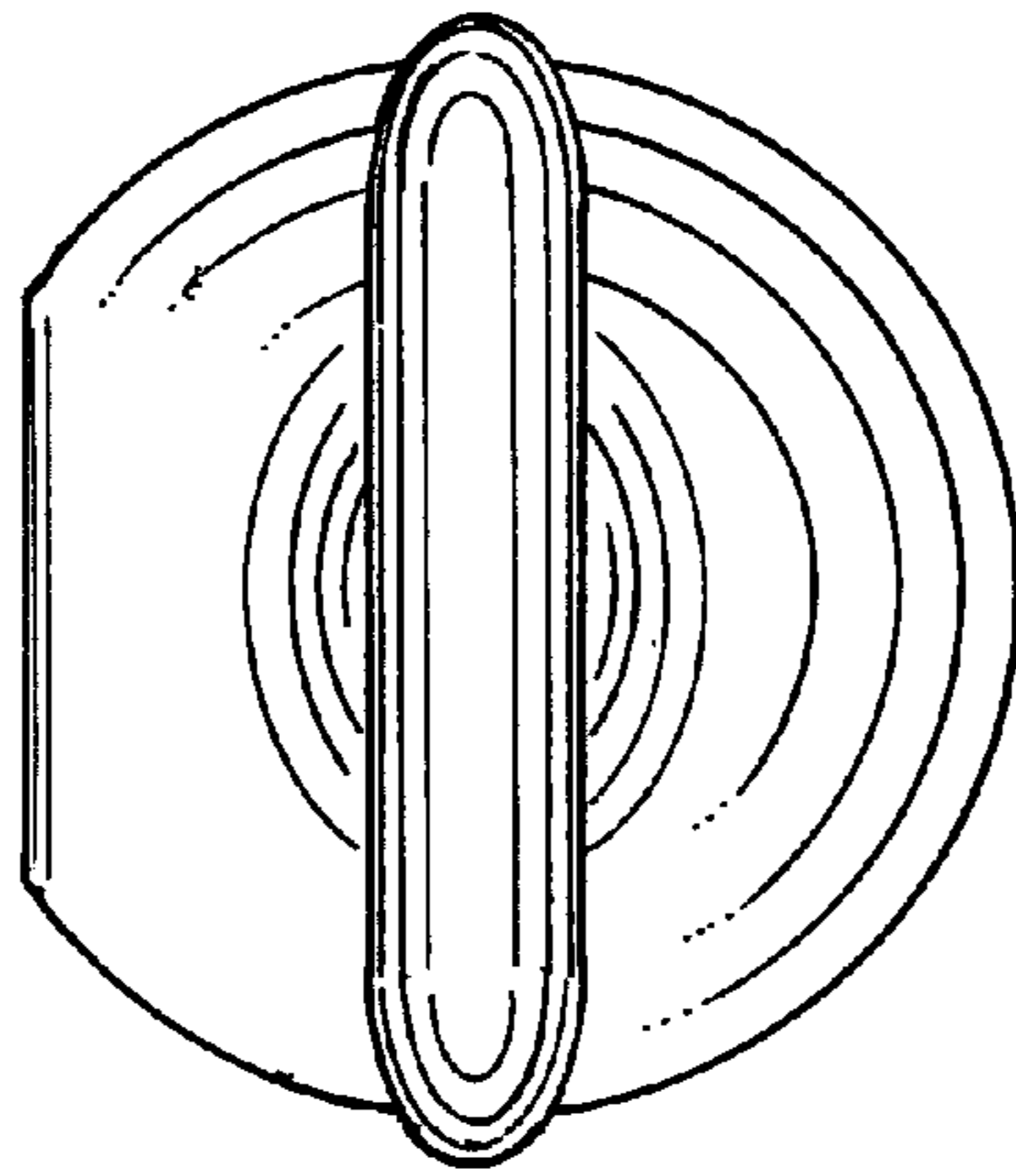


Figure 6

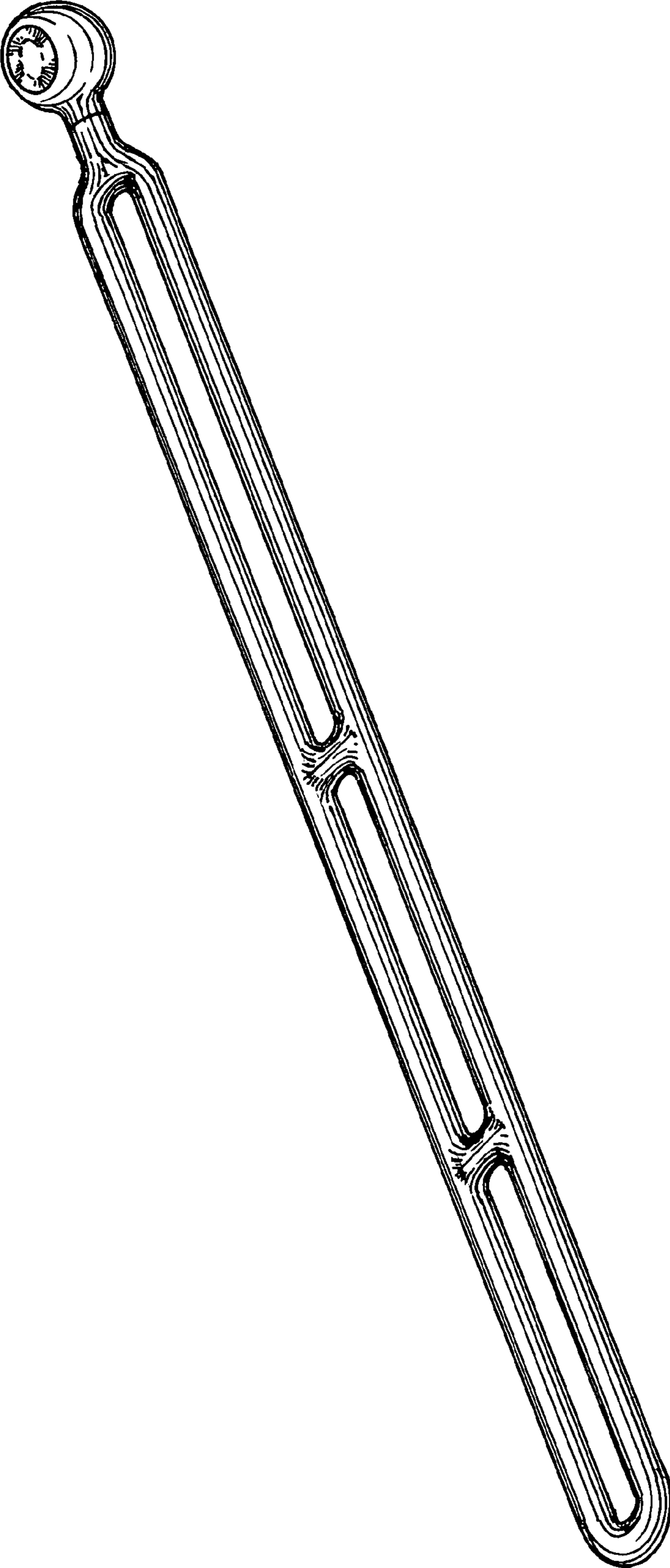


Figure 7