



US00D615381S

(12) **United States Design Patent**  
**Demers et al.**

(10) **Patent No.:** **US D615,381 S**  
(45) **Date of Patent:** **\*\* May 11, 2010**

(54) **TOOL HANDLE**

(75) Inventors: **Brian Joseph Demers**, Huntersville, NC (US); **Joseph Allen Berlepsch**, Mooresville, NC (US)

(73) Assignee: **Lowe's Companies, Inc.**, Mooresville, NC (US)

(\*\*) Term: **14 Years**

(21) Appl. No.: **29/318,755**

(22) Filed: **May 27, 2008**

**Related U.S. Application Data**

(62) Division of application No. 29/249,389, filed on Oct. 4, 2006, now Pat. No. Des. 572,558.

(51) **LOC (9) Cl.** ..... **08-05**

(52) **U.S. Cl.** ..... **D8/107**

(58) **Field of Classification Search** ..... D8/20–29, D8/55, 61, 93, 98–100, 102–107, 300, 301, D8/303, 307, 310, 312, 319–320, 376–378, D8/400–499; D4/132–138; D7/393, 395, D7/401.1, 401.2, 649, 695; D22/104, 118, D22/207; D24/207; D6/524; D26/154; D9/443; 15/143.1, 159.1, 160, 168, 175, 15/194.1, 192; 81/177.1–177.9, 489, 3.2, 81/436, 439–440, 60–63.2, 477, 479, 52; 16/427, 422, 436, 110.1, 421, 430–431, 429, 16/441, 124.6, 414, 417, DIG. 12, DIG. 18, 16/DIG. 19; 73/862.23; 30/164.5, 151–162; 211/87.01; 428/28; D10/72

See application file for complete search history.

(56) **References Cited**

**U.S. PATENT DOCUMENTS**

D151,860 S 11/1948 Stoyer  
(Continued)

**FOREIGN PATENT DOCUMENTS**

JP D1253453 10/2005  
(Continued)

**OTHER PUBLICATIONS**

Taiwanese Search Report for Design Patent Application No. 097303188, dated Dec. 4, 2008.

(Continued)

*Primary Examiner*—Cathron C Brooks

*Assistant Examiner*—Barbara Fox

(74) *Attorney, Agent, or Firm*—Moore & Van Allen PLLC; W. Kevin Ransom

(57) **CLAIM**

The ornamental design for a tool handle, as shown and described.

**DESCRIPTION**

FIG. 1 is a perspective view of a tool handle showing the new design;

FIG. 2 is an elevational view of the right side of the tool handle of FIG. 1;

FIG. 3 is an elevational view of the left side of the tool handle of FIG. 1;

FIG. 4 is an elevational view of the rear side of the tool handle of FIG. 1;

FIG. 5 is an elevational view of the front side of the tool handle of FIG. 1;

FIG. 6 is a plan view of the top side of the tool handle of FIG. 1;

FIG. 7 is a plan view of the bottom side of the tool handle of FIG. 1;

FIG. 8 is a perspective view of second embodiment of a tool handle showing the new design;

FIG. 9 is an elevational view of the front side of the tool handle of FIG. 1;

FIG. 10 is an elevational view of the right side of the tool handle of FIG. 1;

FIG. 11 is an elevational view of the rear side of the tool handle of FIG. 1;

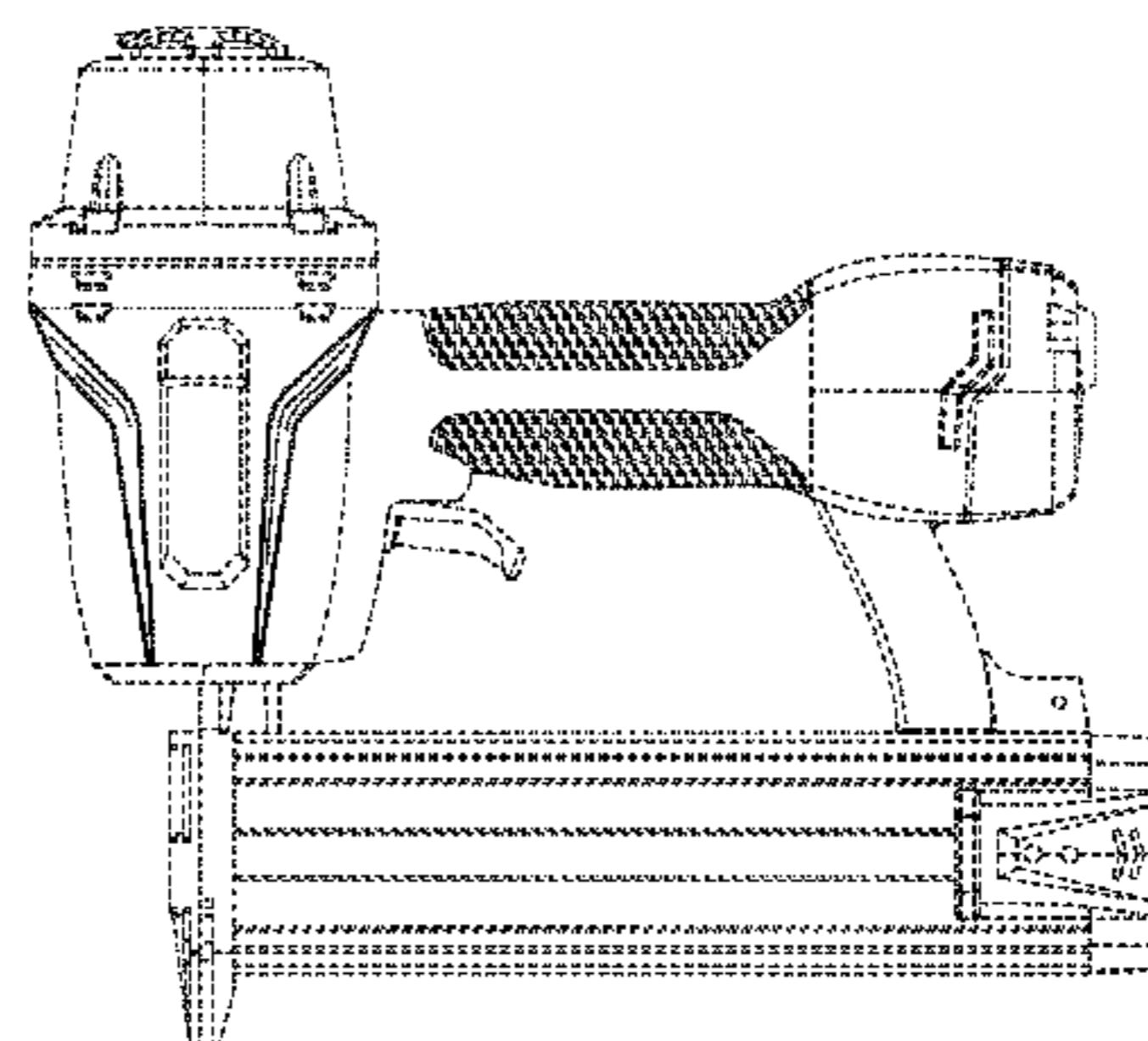
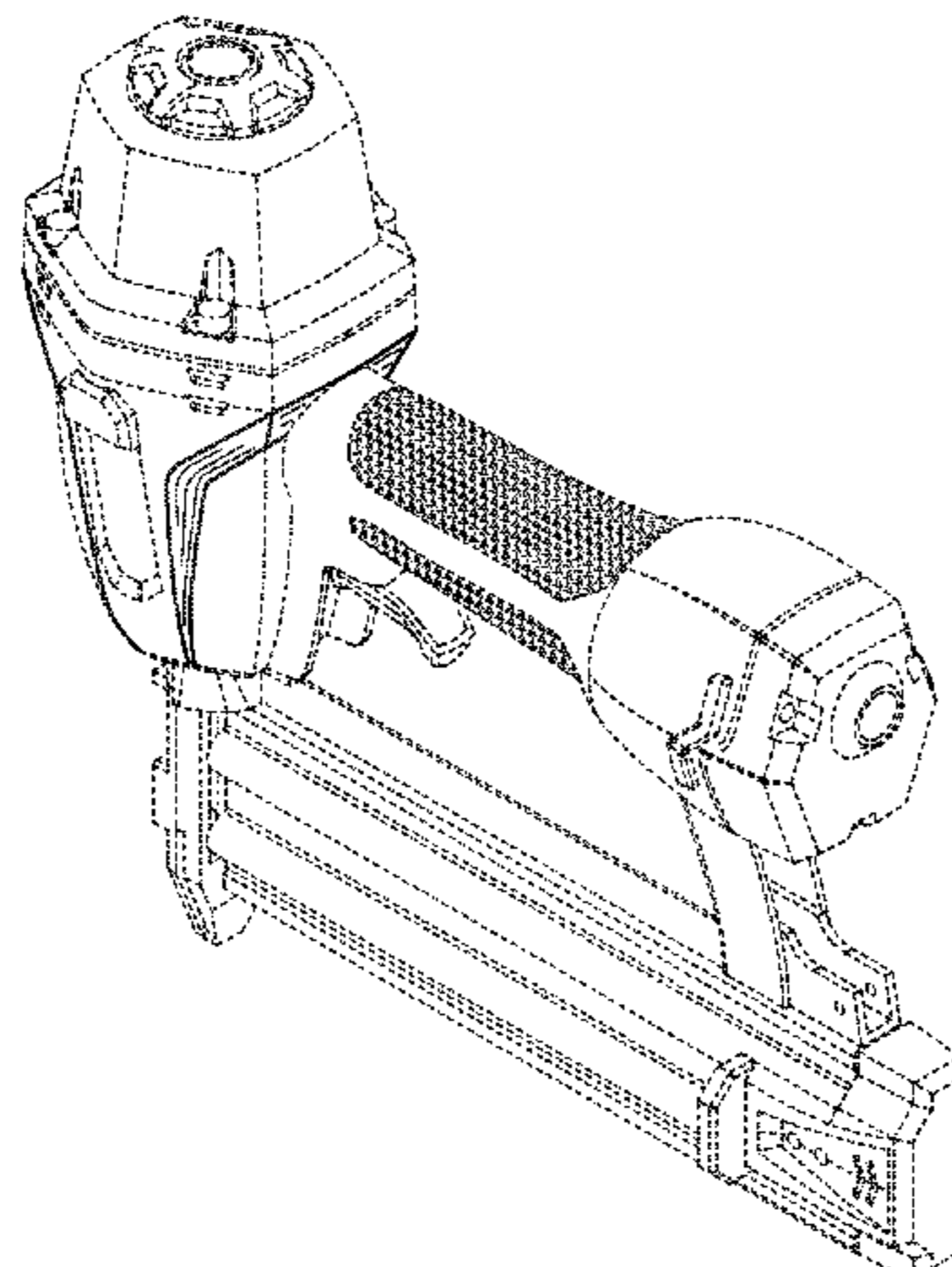
FIG. 12 is an elevational view of the left side of the tool handle of FIG. 1;

FIG. 13 is a plan view of the bottom side of the tool handle of FIG. 1; and,

FIG. 14 is a plan view of the top side of the tool handle of FIG. 1.

The broken lines shown in the drawings are for the purpose of illustrating unclaimed portions of the tool handle and form no part of the claimed design.

**1 Claim, 14 Drawing Sheets**



# US D615,381 S

Page 2

## U.S. PATENT DOCUMENTS

|                |         |                 |        |
|----------------|---------|-----------------|--------|
| D152,155 S     | 12/1948 | Jacoff          |        |
| D288,769 S     | 3/1987  | Doman           |        |
| D288,770 S     | 3/1987  | Doman           |        |
| 5,528,834 A    | 6/1996  | Seber et al.    |        |
| D398,507 S     | 9/1998  | Thompson et al. |        |
| D399,113 S     | 10/1998 | Balolia         |        |
| D410,859 S     | 6/1999  | Hioki           |        |
| D412,273 S     | 7/1999  | Chung           |        |
| D416,179 S     | 11/1999 | Staton et al.   |        |
| D418,731 S     | 1/2000  | Rowley et al.   |        |
| D432,381 S     | 10/2000 | Khachatoorian   |        |
| 6,128,808 A    | 10/2000 | Jansson et al.  |        |
| D433,344 S     | 11/2000 | Hsu             |        |
| D434,298 S     | 11/2000 | Izumisawa       |        |
| D441,269 S     | 5/2001  | Tsai            |        |
| D441,671 S *   | 5/2001  | Hsu             | D10/72 |
| D442,053 S     | 5/2001  | Jimenez         |        |
| D446,942 S     | 8/2001  | Kim             |        |
| D449,546 S *   | 10/2001 | Lee             | D10/72 |
| D457,003 S     | 5/2002  | Newman et al.   |        |
| D470,385 S *   | 2/2003  | Chen            | D8/107 |
| D471,976 S     | 3/2003  | Pavlu et al.    |        |
| D474,528 S     | 5/2003  | Huang           |        |
| D475,598 S     | 6/2003  | Hung            |        |
| D478,292 S *   | 8/2003  | Hsu             | D10/72 |
| D482,203 S     | 11/2003 | Goulet          |        |
| D482,259 S *   | 11/2003 | Chen            | D8/107 |
| D483,634 S     | 12/2003 | Jansson et al.  |        |
| D486,050 S     | 2/2004  | Rampen          |        |
| D486,716 S *   | 2/2004  | Levine et al.   | D8/107 |
| D487,875 S *   | 3/2004  | Wang            | D10/72 |
| D490,680 S *   | 6/2004  | Levine et al.   | D8/83  |
| D491,083 S *   | 6/2004  | Lin             | D10/72 |
| 6,814,154 B2 * | 11/2004 | Chou            | 173/93 |
| D503,351 S *   | 3/2005  | Chen            | D10/72 |
| D507,195 S *   | 7/2005  | Kondo et al.    | D10/72 |
| D515,389 S *   | 2/2006  | Hsu             | D8/83  |
| D517,888 S     | 3/2006  | DeBoer et al.   |        |
| D517,889 S     | 3/2006  | Hsieh           |        |
| D519,017 S     | 4/2006  | Hsieh           |        |
| 7,051,626 B1   | 5/2006  | Chen et al.     |        |
| D523,234 S     | 6/2006  | DeBoer et al.   |        |
| D527,236 S     | 8/2006  | Wu              |        |
| D532,667 S *   | 11/2006 | Tsai et al.     | D8/68  |
| D533,455 S     | 12/2006 | Leck et al.     |        |
| D536,908 S *   | 2/2007  | Eros            | D6/500 |

|                 |         |                    |        |
|-----------------|---------|--------------------|--------|
| D536,944 S      | 2/2007  | Tsai et al.        |        |
| D537,308 S      | 2/2007  | Wang               |        |
| D537,697 S      | 3/2007  | Jimenez            |        |
| D538,129 S      | 3/2007  | Jansson            |        |
| D538,626 S *    | 3/2007  | Hsieh-Yeh          | D8/107 |
| D542,619 S *    | 5/2007  | Hung               | D8/107 |
| D543,085 S      | 5/2007  | Aglassinger        |        |
| D543,812 S      | 6/2007  | Burry et al.       |        |
| D544,770 S      | 6/2007  | Yang               |        |
| D547,624 S      | 7/2007  | Strahorn           |        |
| D550,058 S      | 9/2007  | Aglassinger        |        |
| D556,536 S      | 12/2007 | Aglassinger et al. |        |
| D560,127 S *    | 1/2008  | Elam               | D10/72 |
| D562,398 S      | 2/2008  | Qui et al.         |        |
| D571,679 S *    | 6/2008  | McEwan et al.      | D10/72 |
| D572,614 S *    | 7/2008  | McEwan et al.      | D10/72 |
| D576,853 S      | 9/2008  | Aglassinger        |        |
| D578,852 S      | 10/2008 | Enriquez           |        |
| D584,061 S *    | 1/2009  | Meyer              | D4/138 |
| D584,116 S      | 1/2009  | Jackson            |        |
| D590,225 S      | 4/2009  | Sell               |        |
| D591,570 S      | 5/2009  | Lee et al.         |        |
| D597,811 S      | 8/2009  | Yu                 |        |
| 2004/0246735 A1 | 12/2004 | Huang              |        |
| 2006/0090265 A1 | 5/2006  | Fisher et al.      |        |

## FOREIGN PATENT DOCUMENTS

|    |         |         |
|----|---------|---------|
| TW | 144783  | 10/1990 |
| TW | 251211  | 7/1995  |
| TW | 443904  | 6/1999  |
| TW | 390769  | 5/2000  |
| TW | 403527  | 8/2000  |
| TW | 433951  | 5/2001  |
| TW | 440312  | 6/2001  |
| TW | 478775  | 3/2002  |
| TW | 542548  | 7/2003  |
| TW | D106099 | 8/2005  |
| TW | D110289 | 4/2006  |

## OTHER PUBLICATIONS

Taiwanese Search Report for Design Patent Application No. 097303189, dated Dec. 4, 2008.

Taiwanese Office Action for Des. Appl. No. 098300404, dated Jan. 10, 2010.

\* cited by examiner

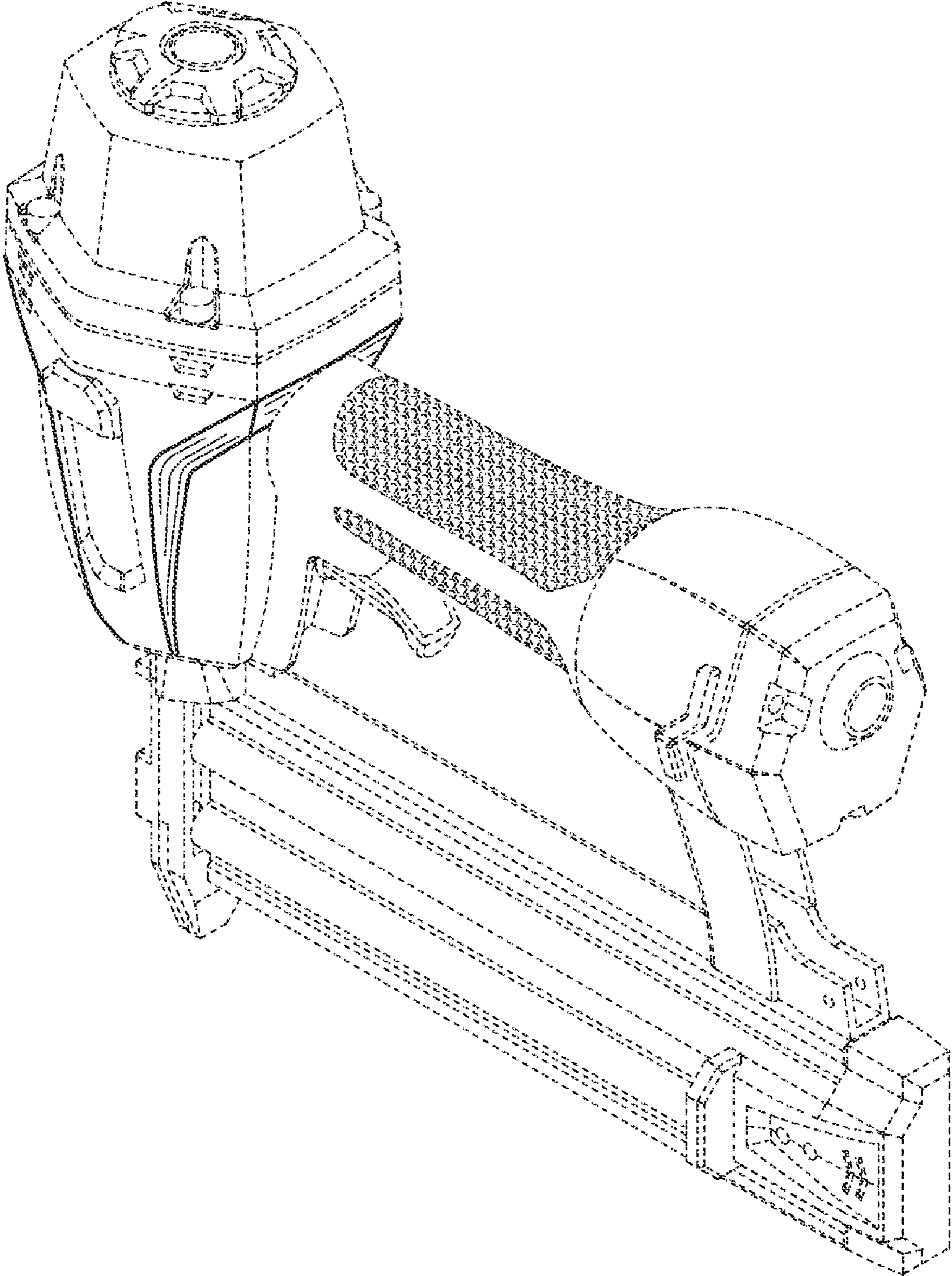


FIG. 1

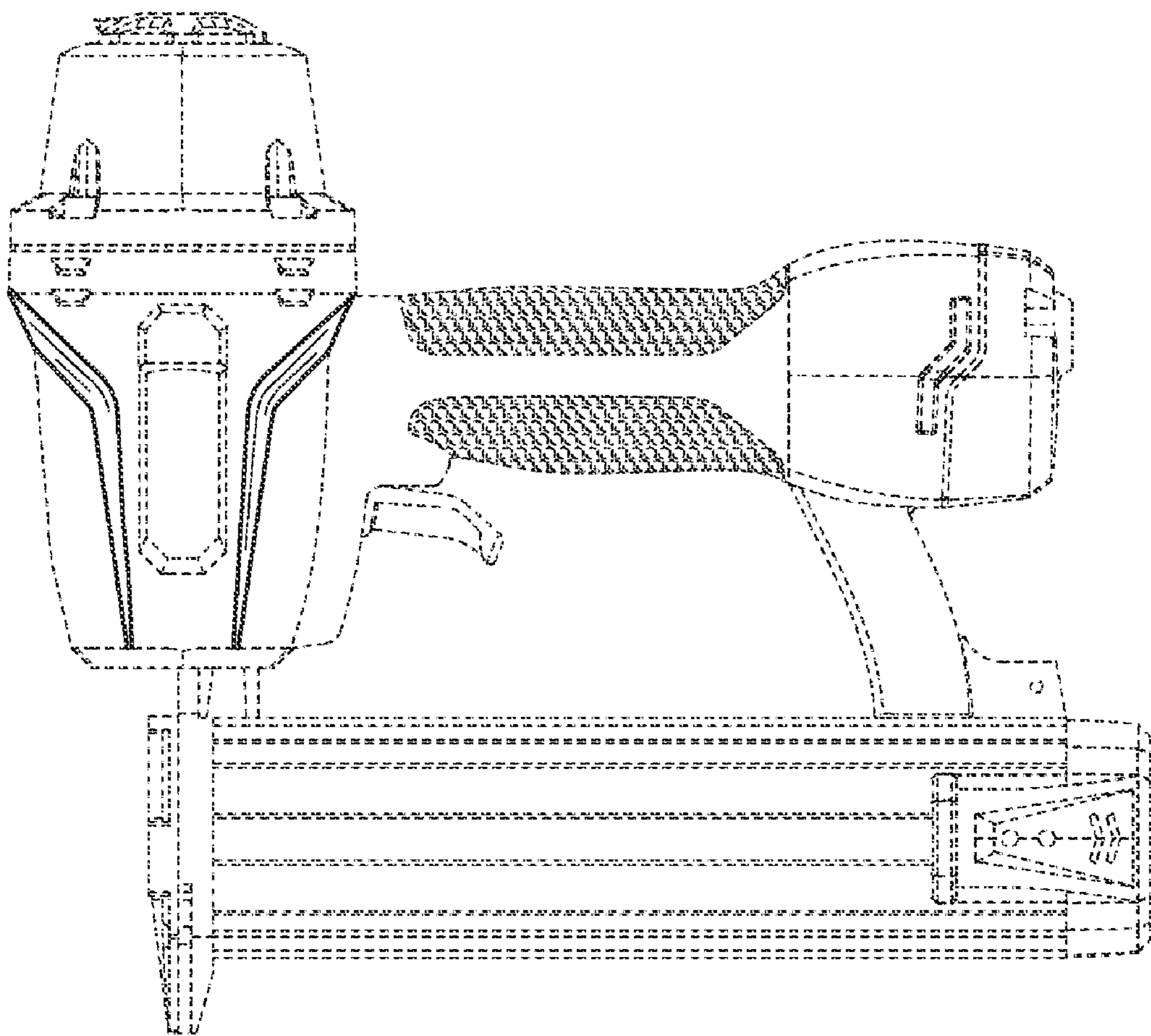


FIG. 2

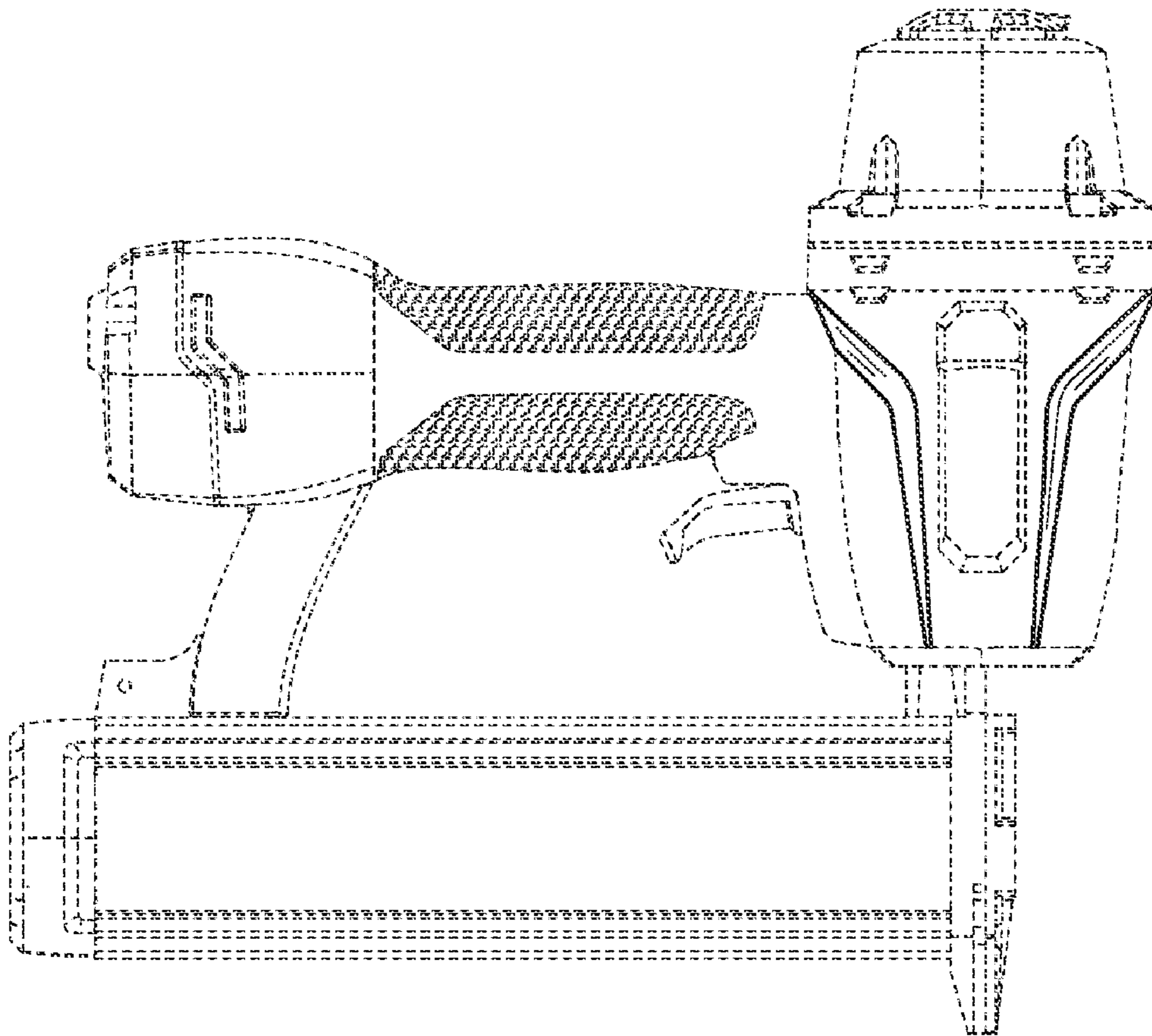
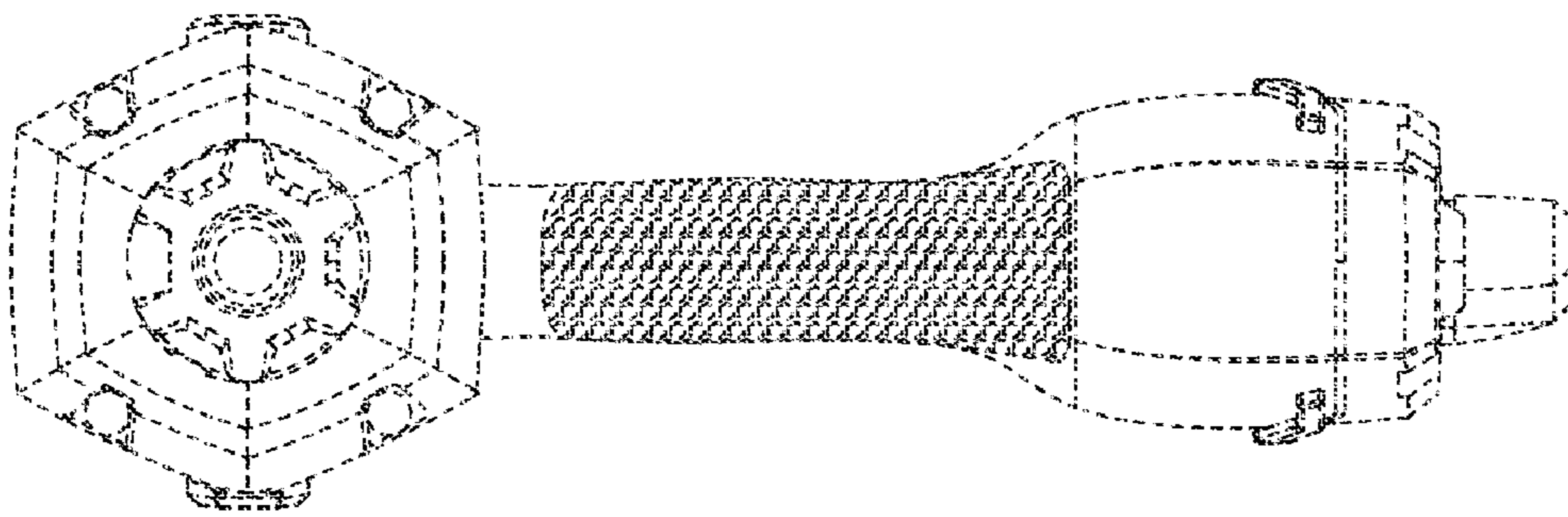
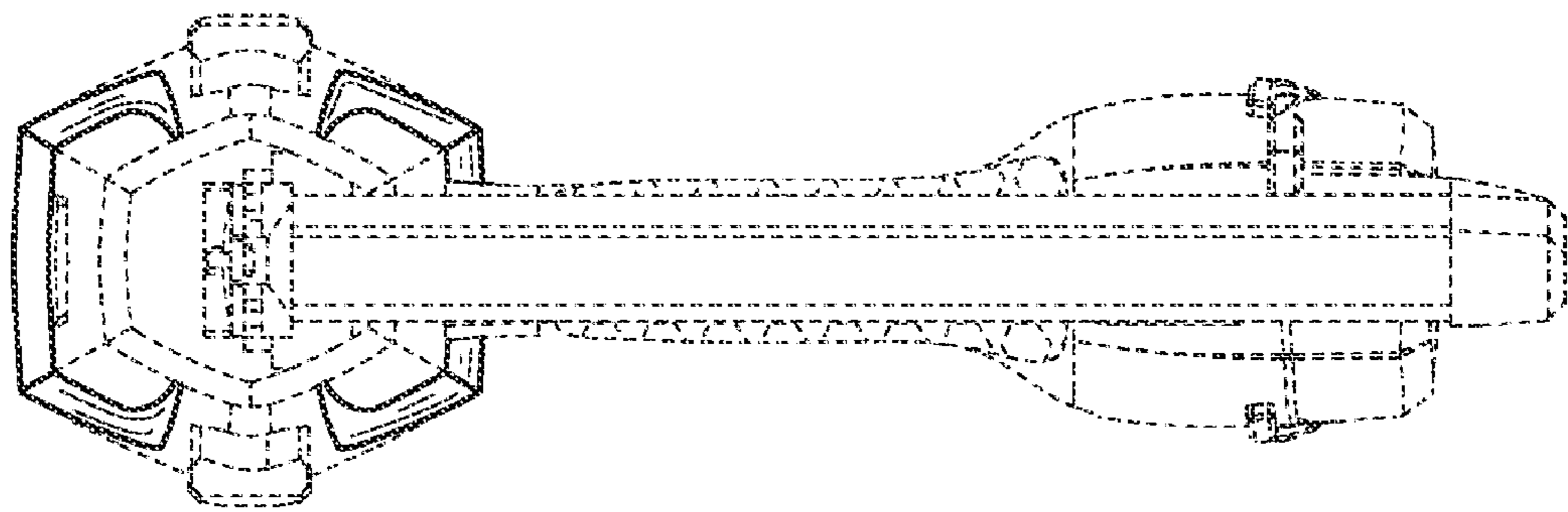


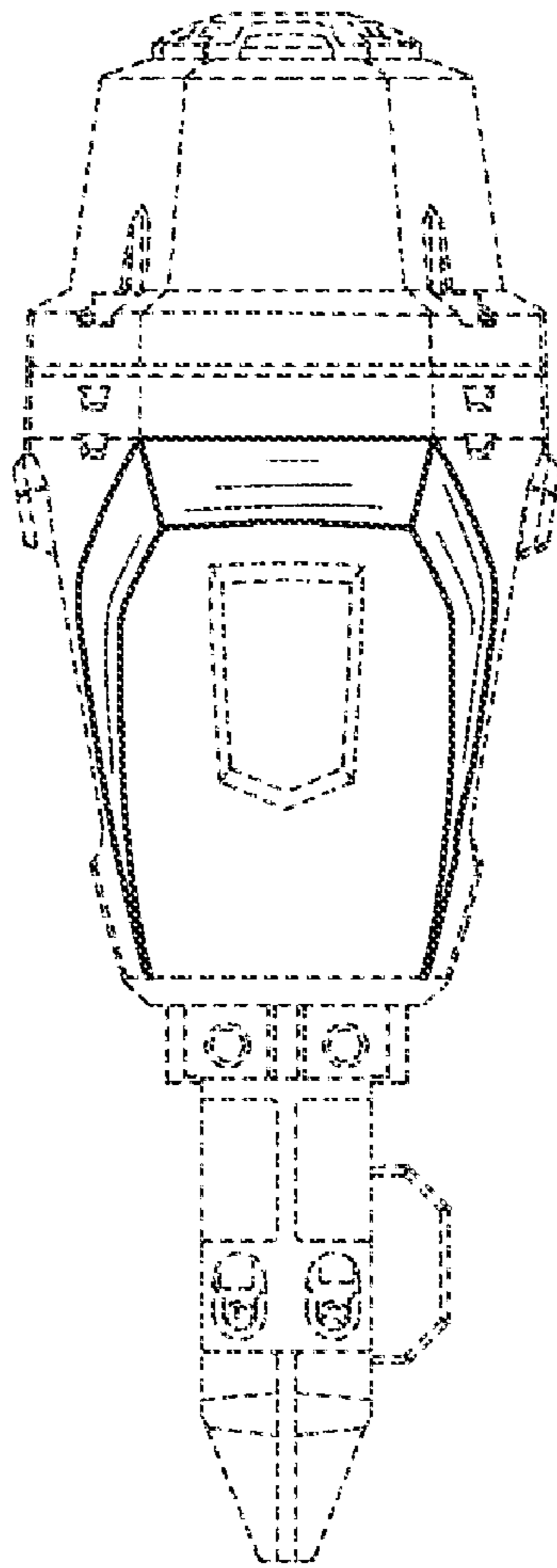
FIG. 3



**FIG. 4**

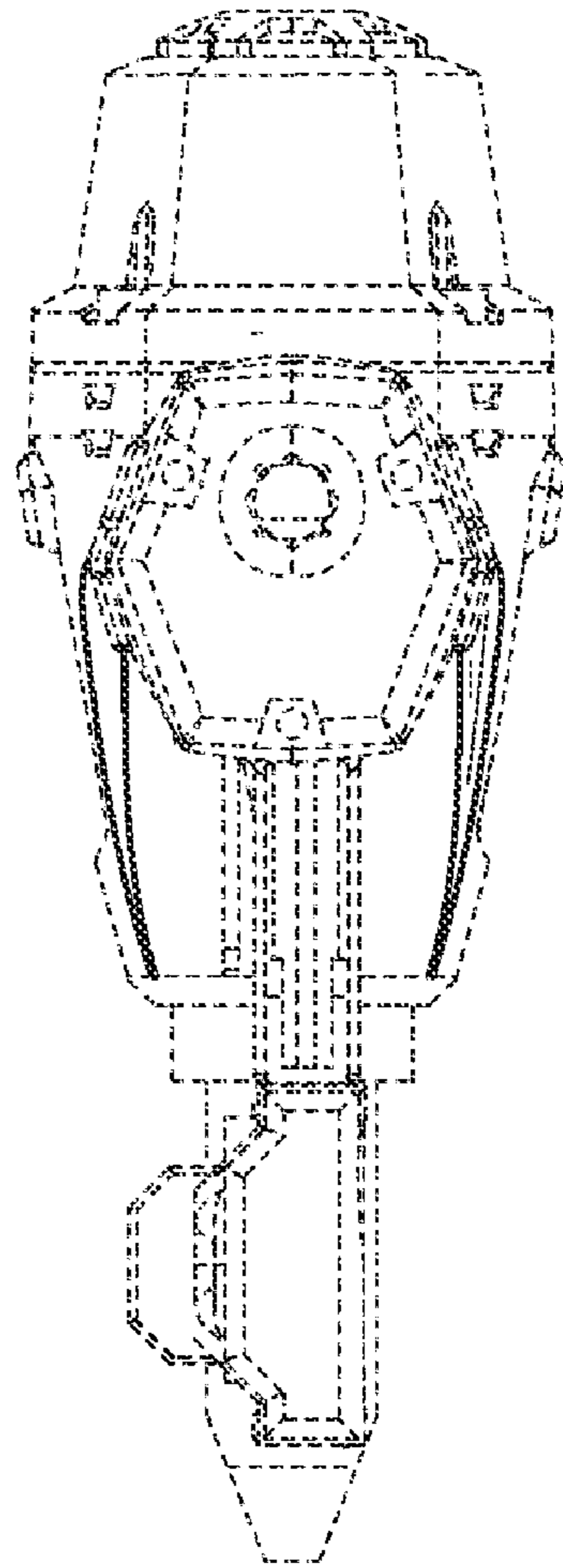


**FIG. 5**

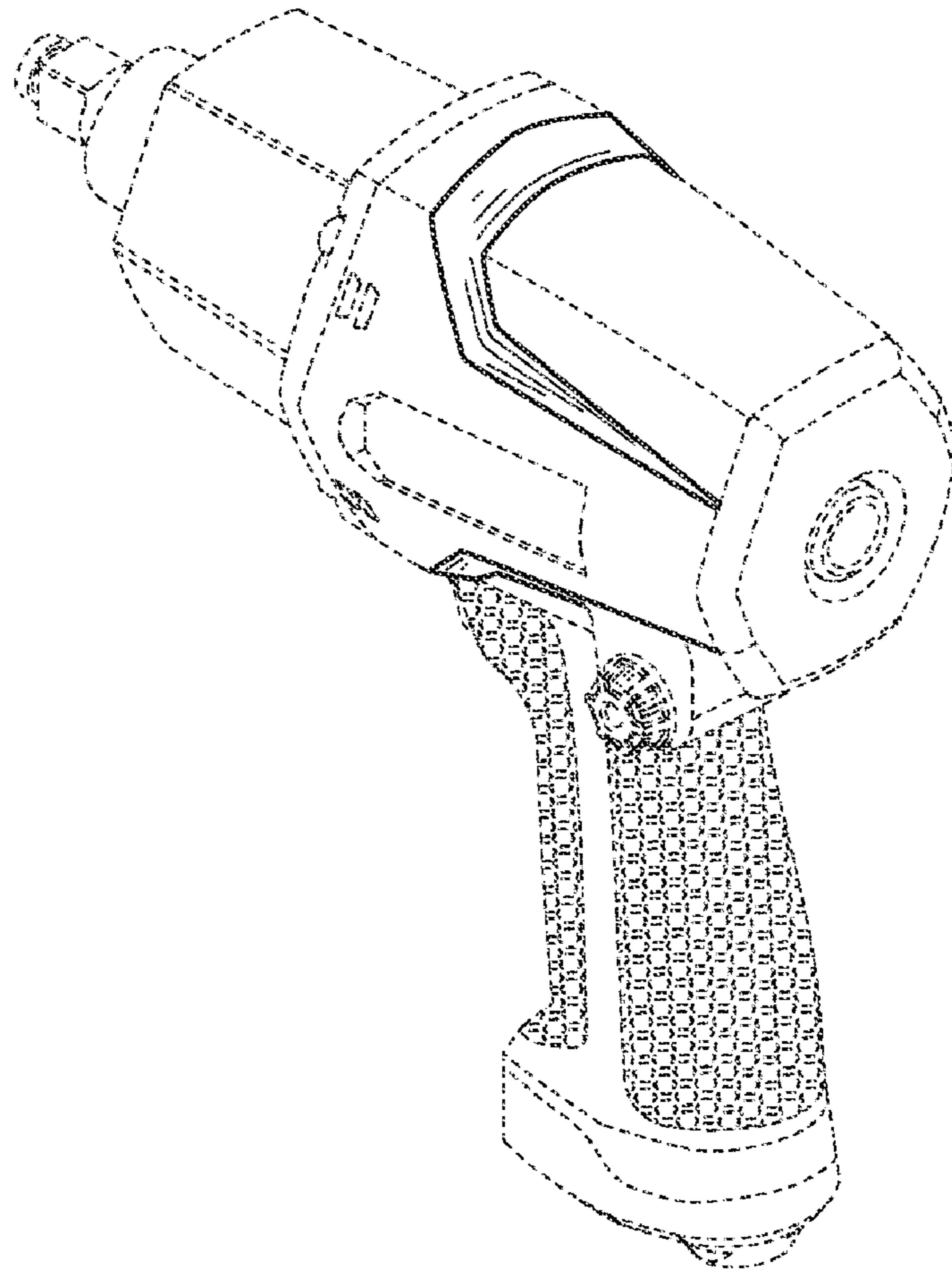


**FIG. 6**





**FIG. 7**



**FIG. 8**

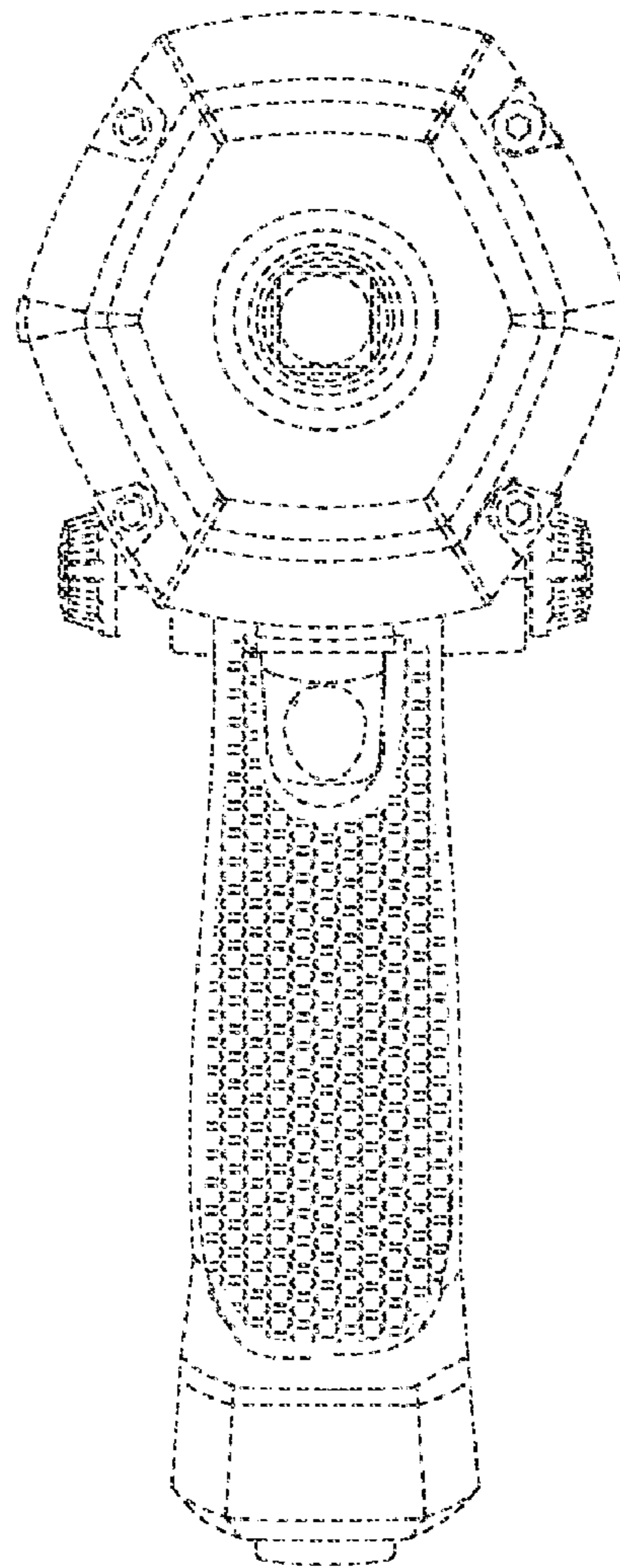
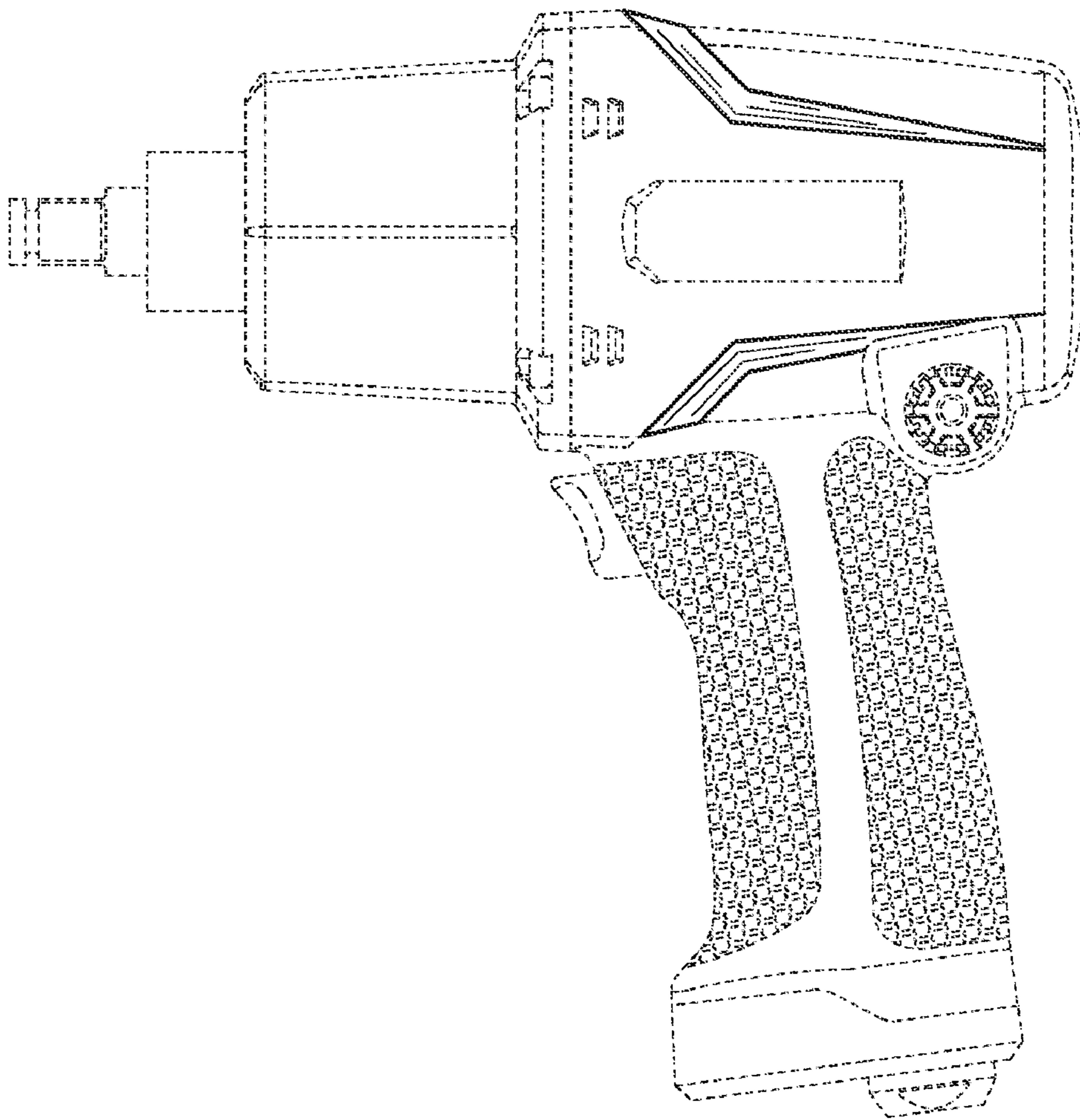


FIG. 9



**FIG. 10**

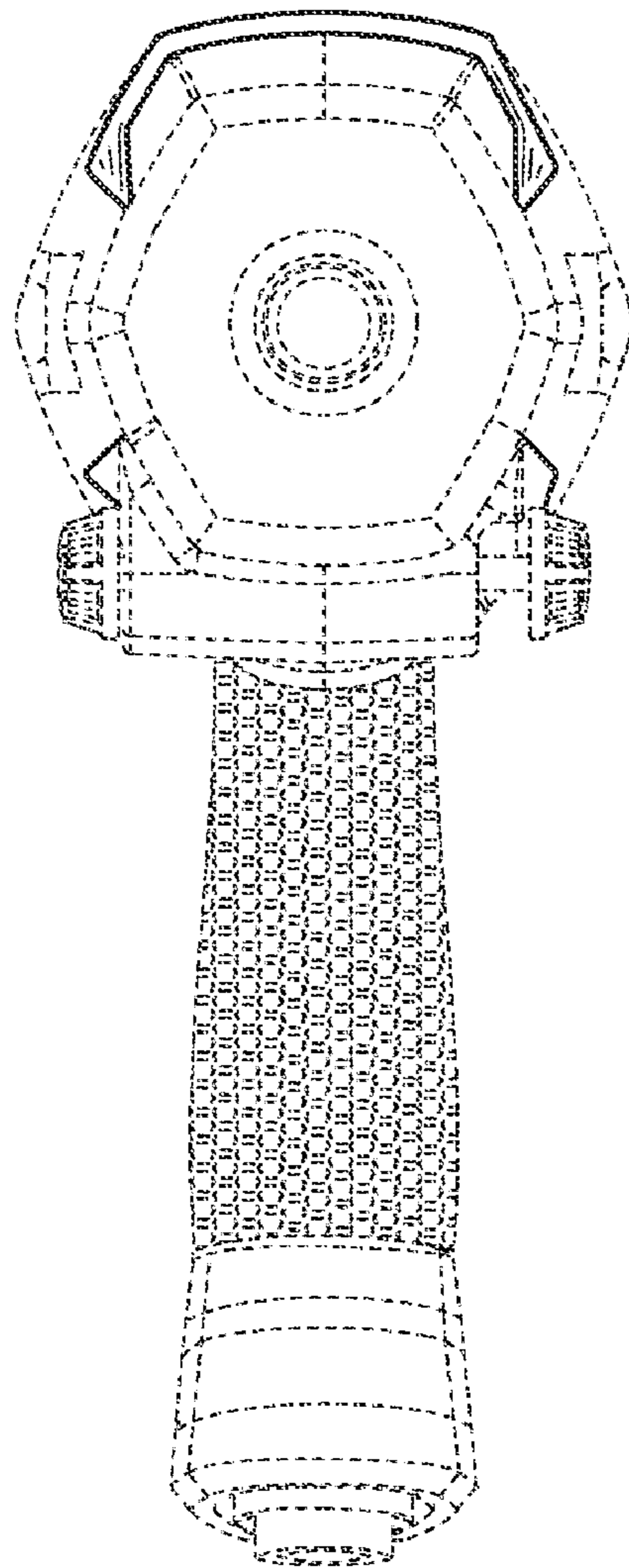


FIG. 11

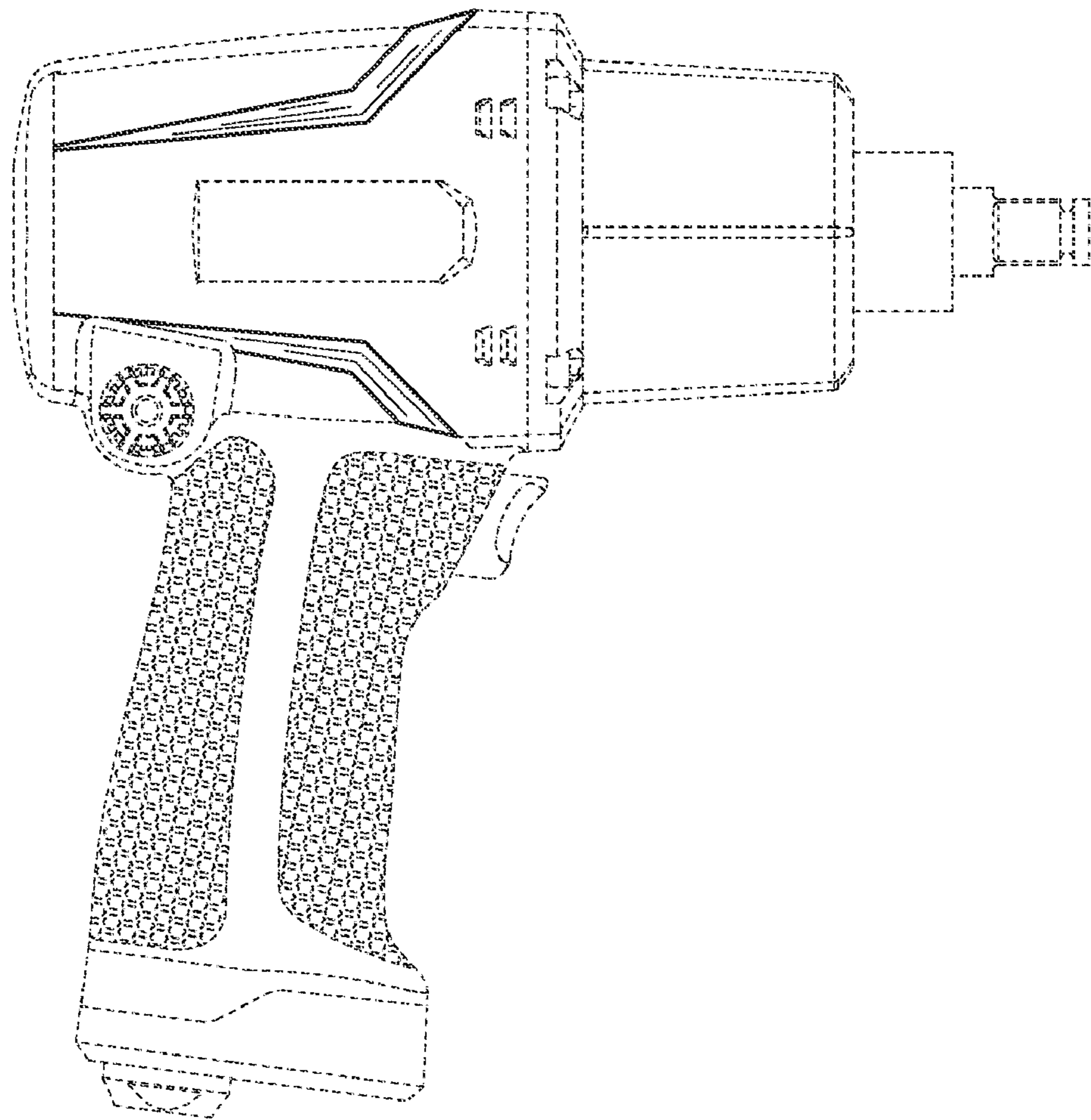
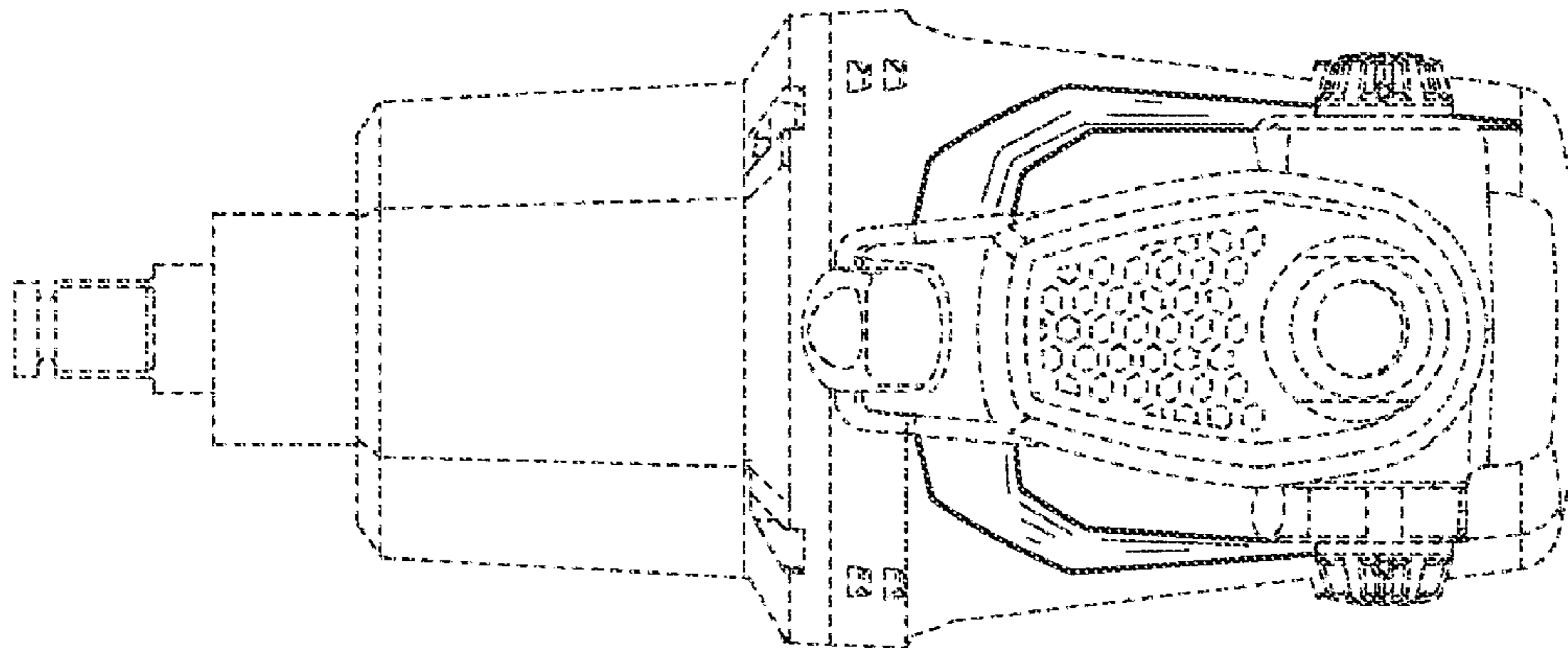


FIG. 12



**FIG. 13**

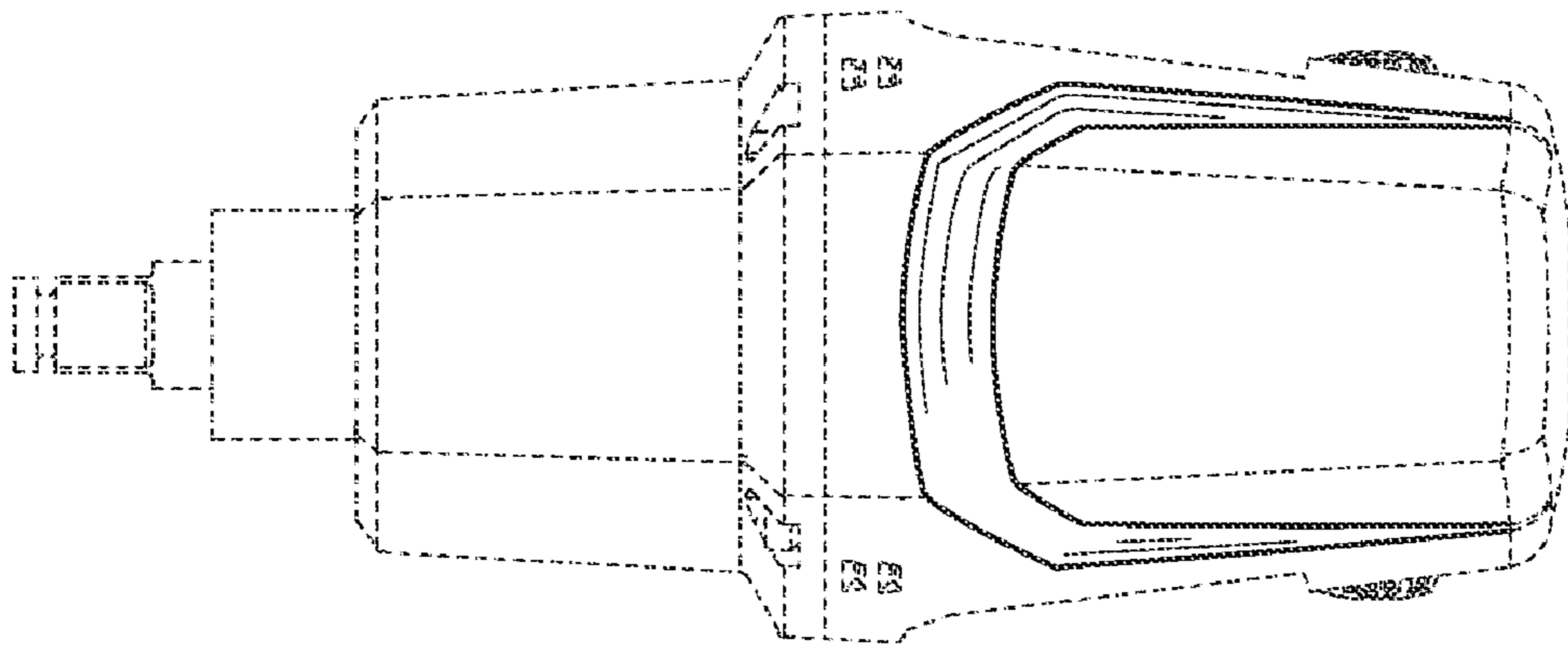


FIG. 14