



US00D615379S

(12) **United States Design Patent**
Aglassinger

(10) **Patent No.:** **US D615,379 S**
(45) **Date of Patent:** **** May 11, 2010**

(54) **IMPACT WRENCH**

D606,376 S * 12/2009 Okuda et al. D8/68

(75) Inventor: **Hans-Peter Aglassinger**, Esslingen (DE)

(73) Assignee: **Robert Bosch GmbH**, Stuttgart (DE)

* cited by examiner

(**) Term: **14 Years**

Primary Examiner—Antoine D Davis

(21) Appl. No.: **29/355,904**

(74) *Attorney, Agent, or Firm*—Victor A. Henzi

(22) Filed: **Feb. 17, 2010**

(57) **CLAIM**

(30) **Foreign Application Priority Data**

The ornamental design for an impact wrench, as shown and described.

Dec. 23, 2009 (EM) 001186282

(51) **LOC (9) Cl.** **08-04**

DESCRIPTION

(52) **U.S. Cl.** **D8/68**

(58) **Field of Classification Search** D8/14.1,
D8/61, 62, 63, 64, 65, 66, 67, 68, 69, 70;
81/57.11, 429, 454, 455, 456, 469, 489; 173/13,
173/104, 114, 168, 169, 170, 171, 178, 201,
173/211, 213, 217; 408/20, 124, 125, 234,
408/241 R; 451/358; 310/50; 227/8, 113,
227/114, 120, 130, 136, 142
See application file for complete search history.

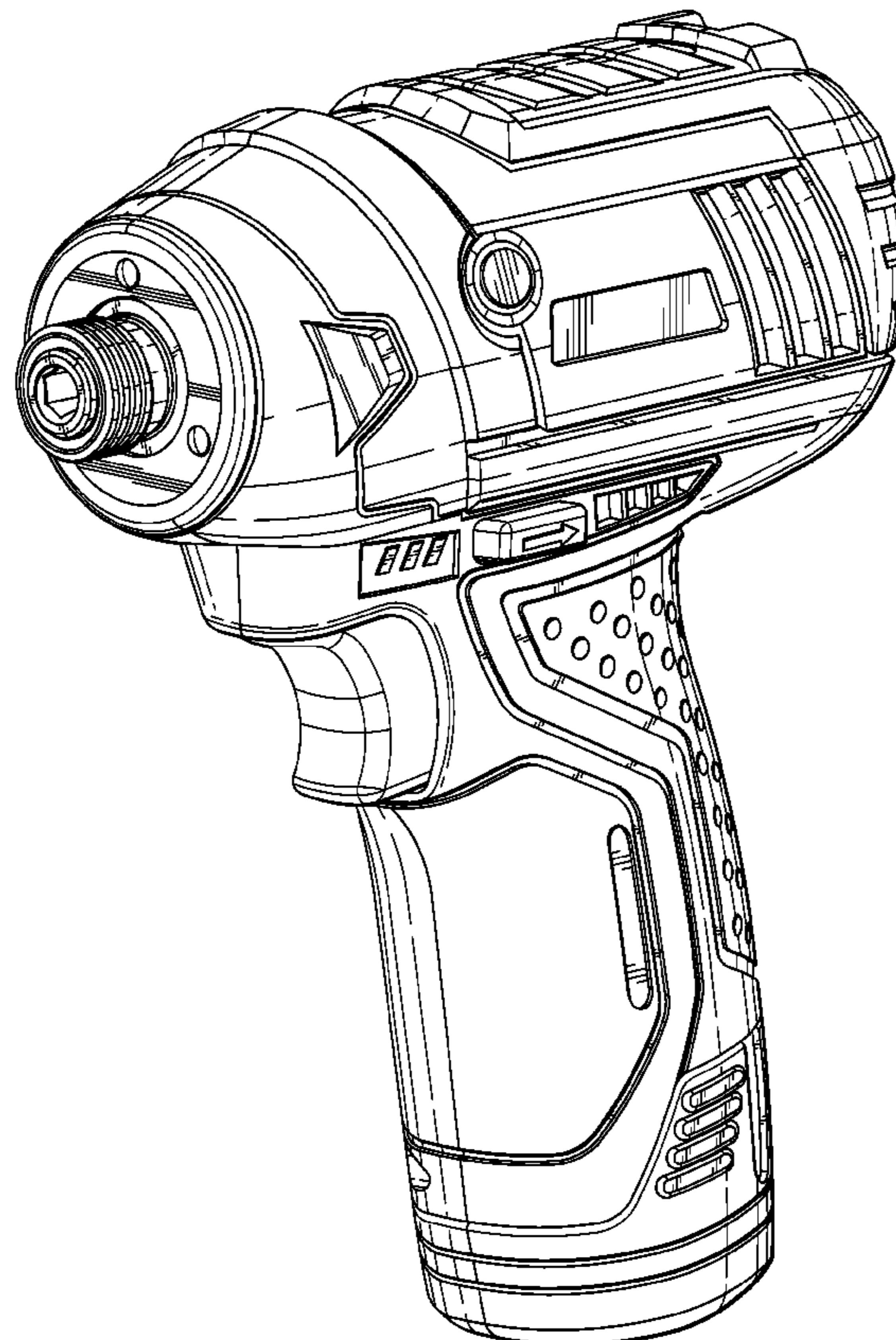
FIG. 1 is a left front perspective view of the impact wrench;
FIG. 2 is a left elevational view thereof;
FIG. 3 is a right elevational view thereof;
FIG. 4 is front elevational view a thereof;
FIG. 5 is a rear elevational view thereof;
FIG. 6 is a top plan view thereof; and,
FIG. 7 is a bottom plan view thereof.

(56) **References Cited**

U.S. PATENT DOCUMENTS

D605,490 S * 12/2009 Aglassinger D8/68

1 Claim, 6 Drawing Sheets



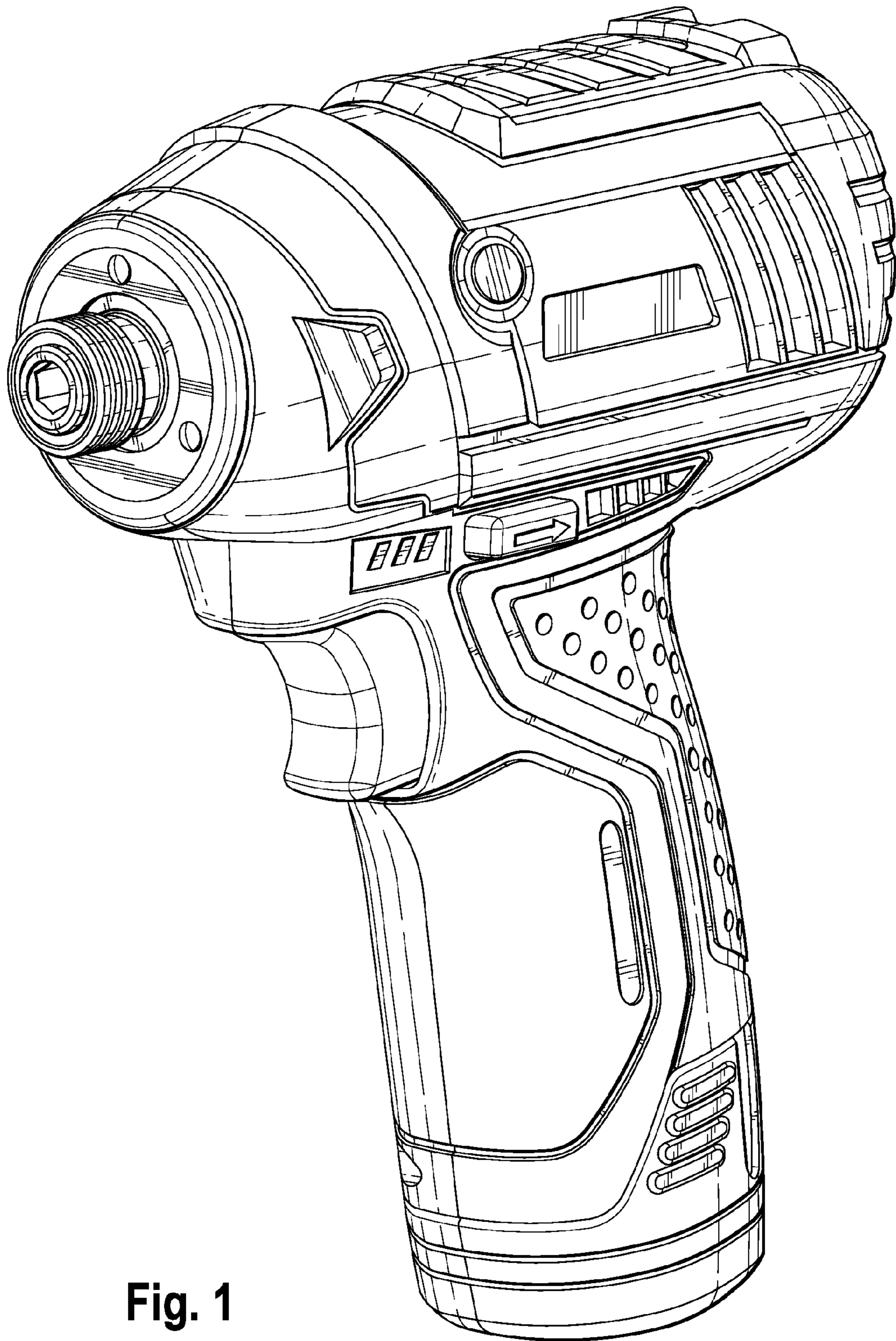


Fig. 1

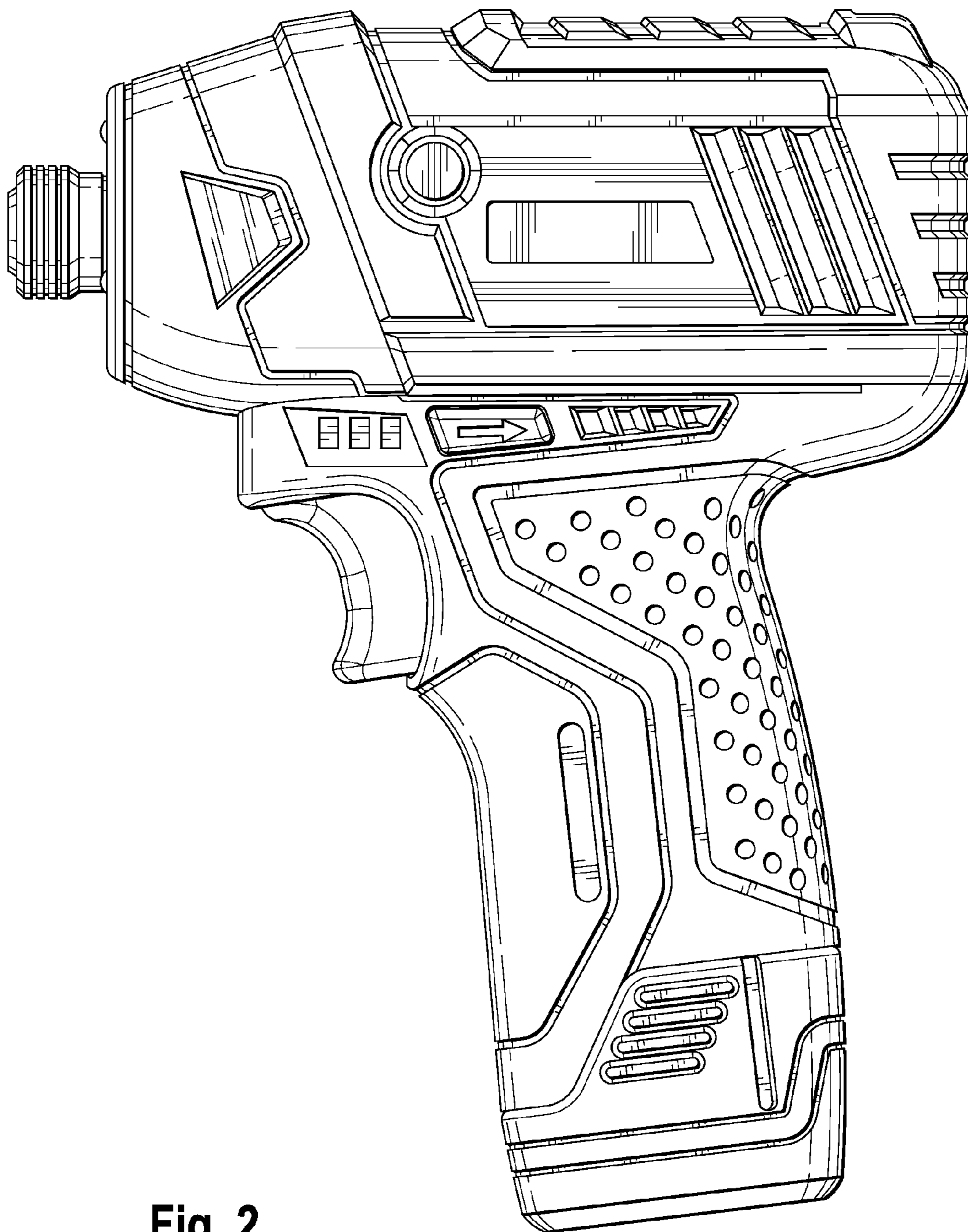


Fig. 2

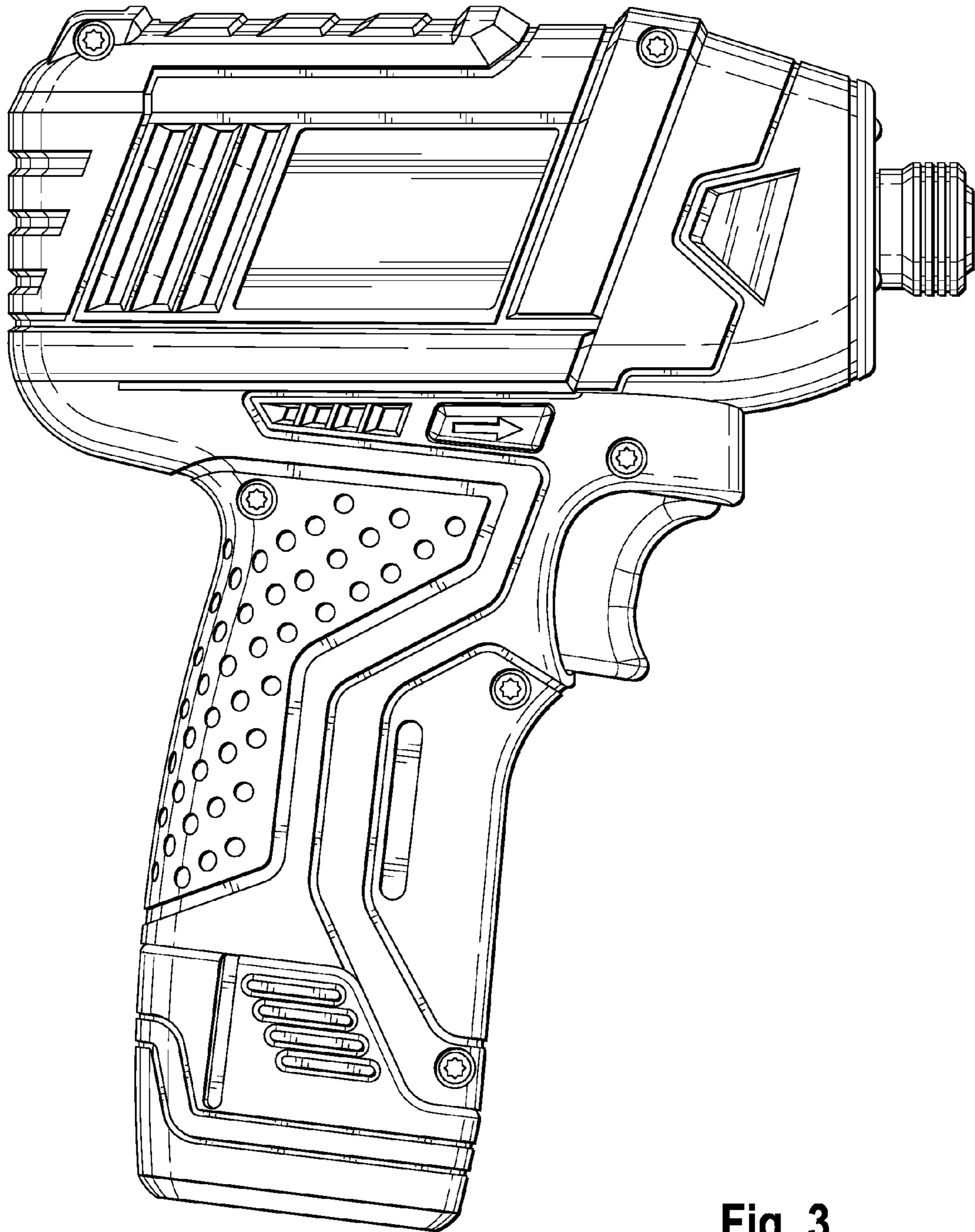


Fig. 3

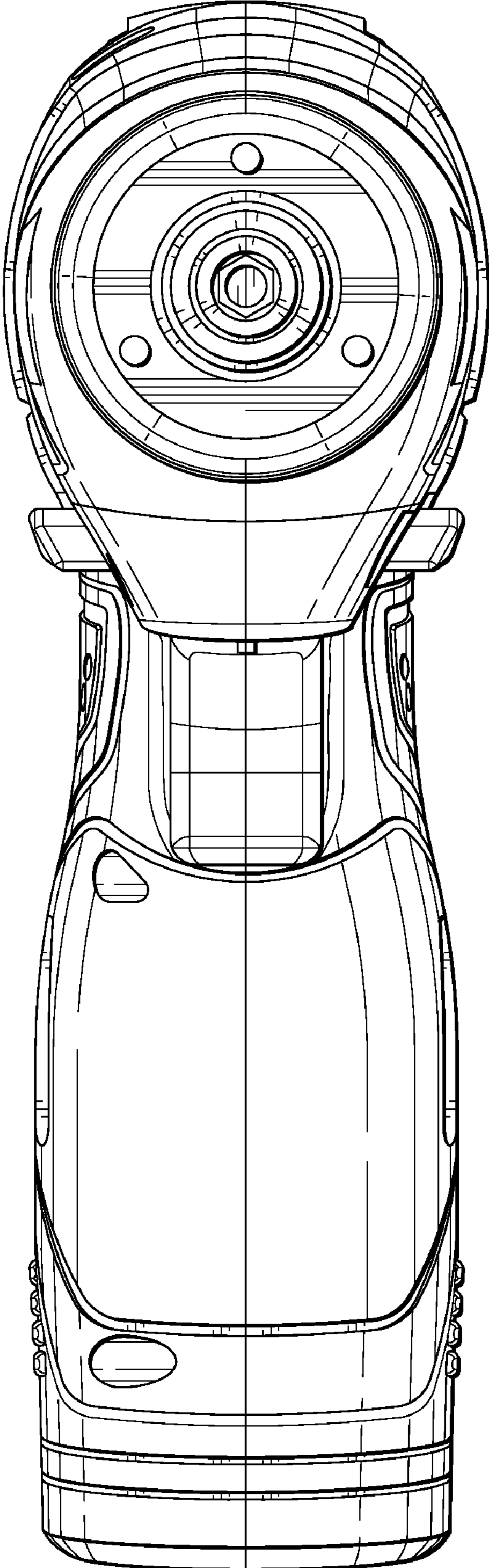


Fig. 4

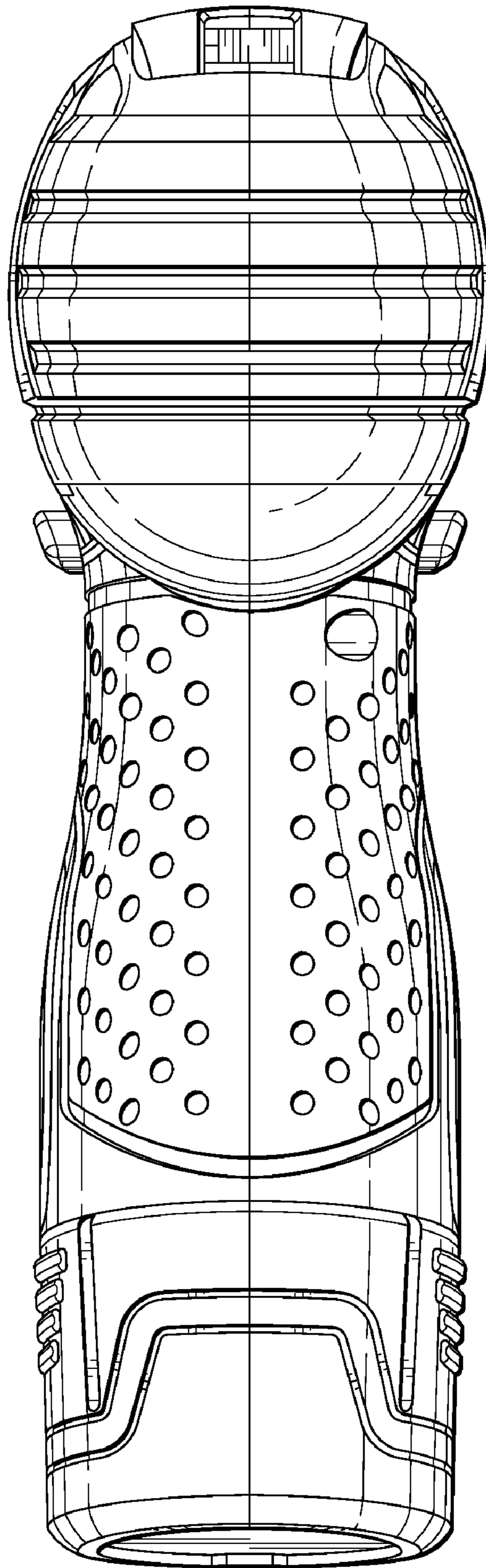


Fig. 5

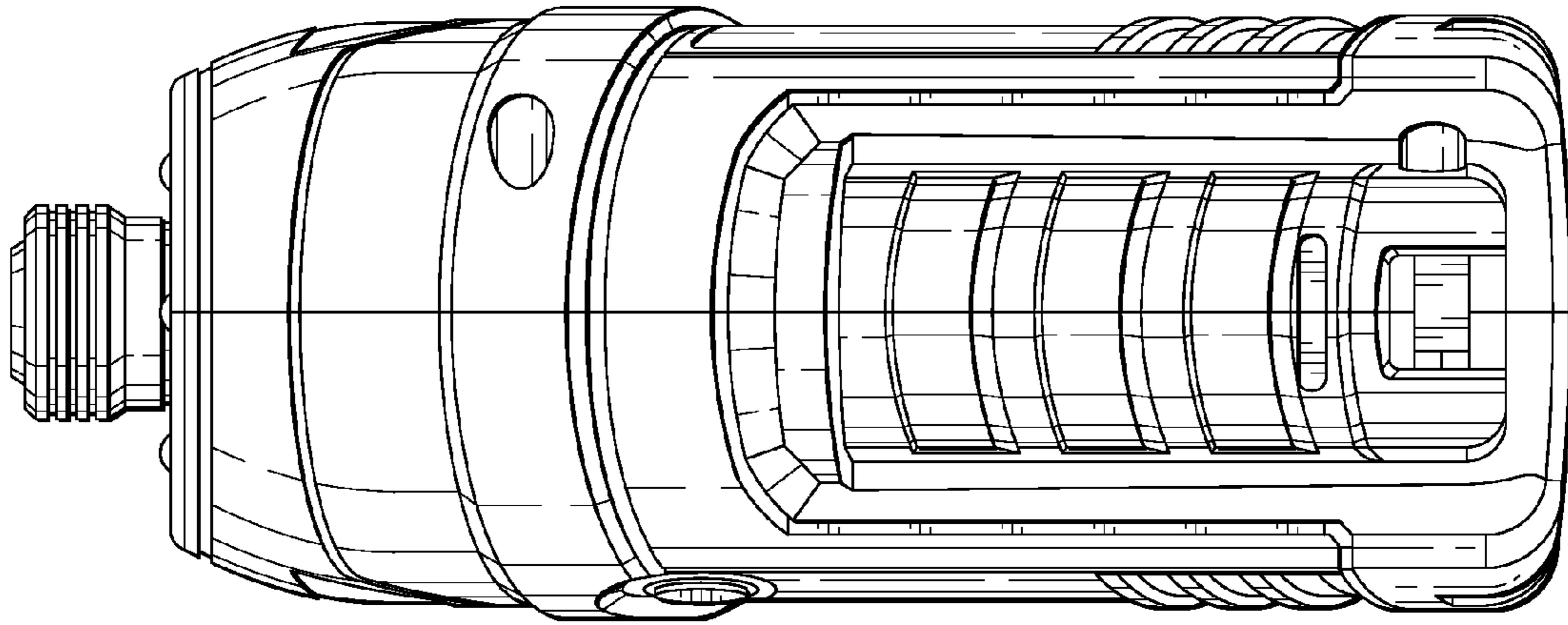


Fig. 6

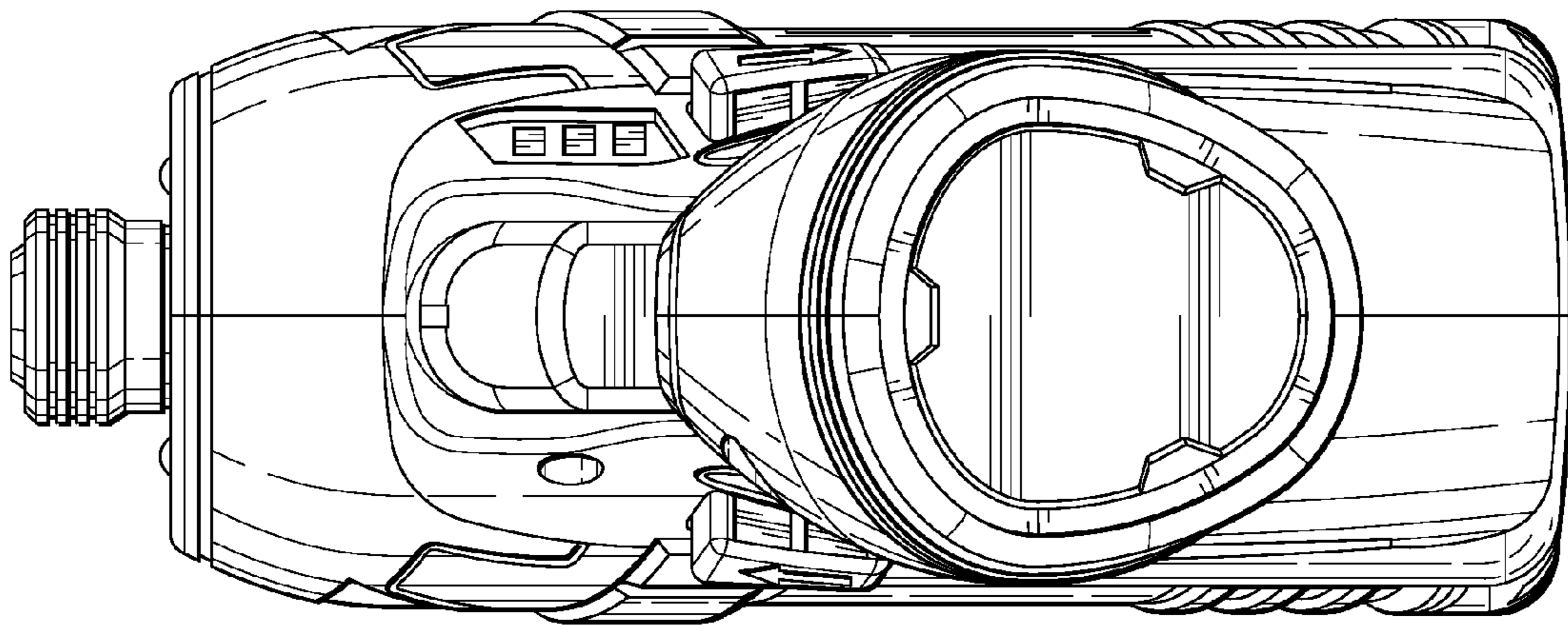


Fig. 7