



US00D615377S

(12) **United States Design Patent**
Williams

(10) **Patent No.:** **US D615,377 S**

(45) **Date of Patent:** **** *May 11, 2010**

(54) **HAND HELD TILE, GLASS, PLASTIC AND LAMINATE CUTTER**

(76) Inventor: **Ernest Llewellyn Williams**, P.O. Box 68, Perry Hall, MD (US) 21128

(*) Notice: This patent is subject to a terminal disclaimer.

(**) Term: **14 Years**

(21) Appl. No.: **29/343,088**

(22) Filed: **Sep. 7, 2009**

(51) **LOC (9) Cl.** **08-05**

(52) **U.S. Cl.** **D8/52**

(58) **Field of Classification Search** D8/14, D8/51, 52; 81/300, 418, 420, 424.5, 426, 81/426.5, 427.5; 30/175, 178, 236; 125/36; 83/916

See application file for complete search history.

(56) **References Cited**

U.S. PATENT DOCUMENTS

2,582,736	A *	1/1952	Altieri	30/178
2,612,686	A *	10/1952	Wagner	30/178
2,679,775	A *	6/1954	Fleming	81/420
4,058,892	A *	11/1977	Adamko	30/178
4,386,543	A *	6/1983	Walker, Jr.	81/420
4,673,174	A *	6/1987	Tabbert	269/41
4,787,139	A *	11/1988	Sweet	29/758
5,095,732	A *	3/1992	Bootka	72/409.18
5,829,323	A *	11/1998	Liston	81/44
5,902,015	A *	5/1999	Allcock	297/463.1
5,991,997	A *	11/1999	Schley et al.	29/426.5
D426,440	S *	6/2000	Torres	D8/52

6,311,589	B1 *	11/2001	Schmitt	81/426
6,438,817	B1 *	8/2002	Pongratz	29/453
D542,608	S *	5/2007	Romsburg et al.	D7/688
D544,770	S *	6/2007	Yang	D8/52
D561,899	S *	2/2008	Golden	D24/153
D567,376	S *	4/2008	Golden	D24/153
D581,231	S *	11/2008	Williams	D8/52
2004/0000057	A1 *	1/2004	Graca	30/229

* cited by examiner

Primary Examiner—Cathron C Brooks

Assistant Examiner—Deanna Fluegeman

(74) *Attorney, Agent, or Firm*—InterContinental IP; Eric A. Hanscom; Todd J. Langford

(57) **CLAIM**

The ornamental design for a hand held tile, glass, plastic and laminate cutter, as shown and described.

DESCRIPTION

FIG. 1 is a perspective top view of a hand held tile, glass, plastic and laminate cutter showing my new design;

FIG. 2 is a front view thereof;

FIG. 3 is a back view thereof;

FIG. 4 is a left-side view thereof;

FIG. 5 is a right-side view thereof;

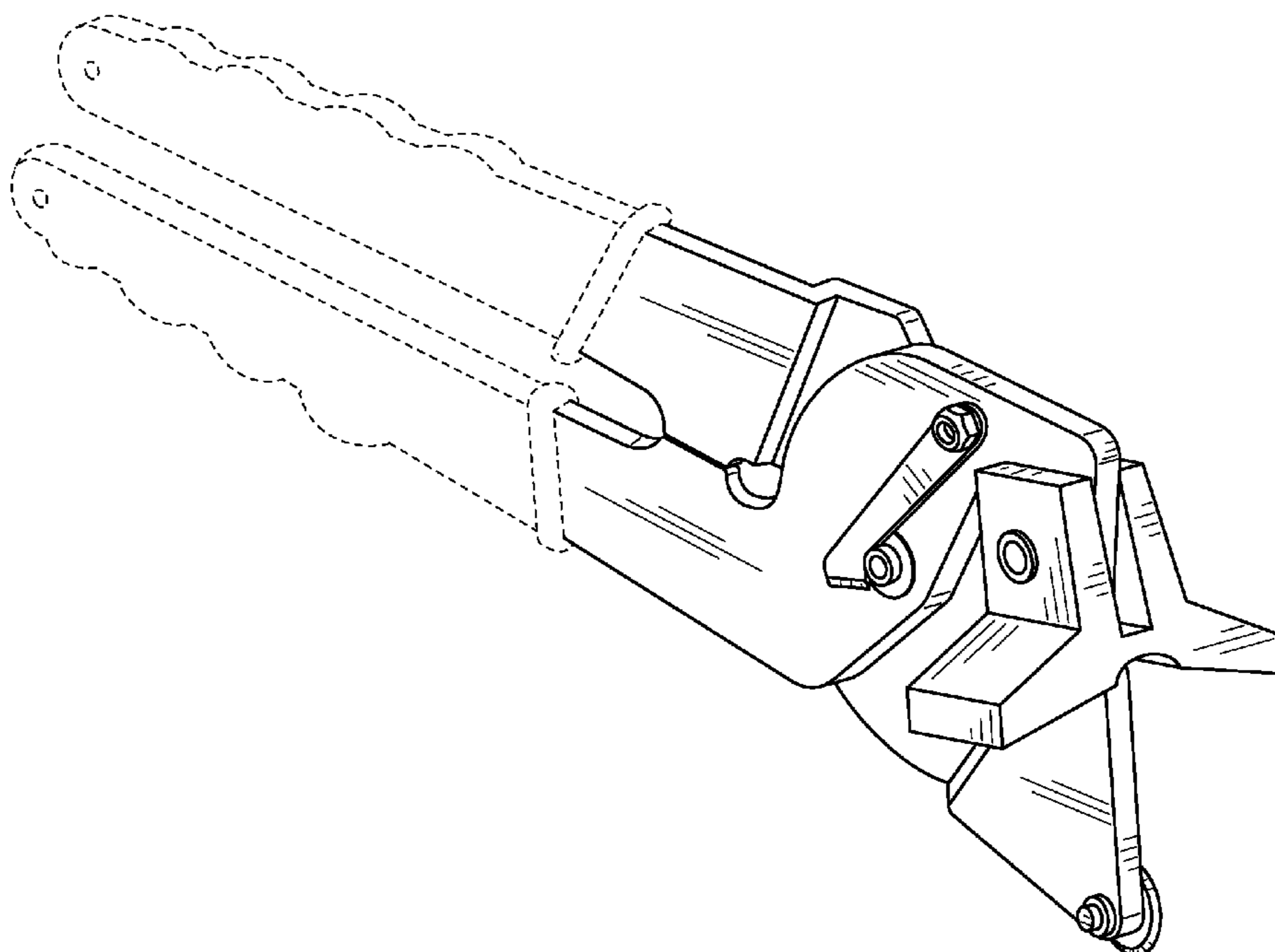
FIG. 6 is a top view thereof;

FIG. 7 is a bottom view thereof; and,

FIG. 8 is a perspective bottom view.

The application relates to the design of a handheld tool which is used for precision cuts of tile, glass, plastic and laminate.

1 Claim, 5 Drawing Sheets



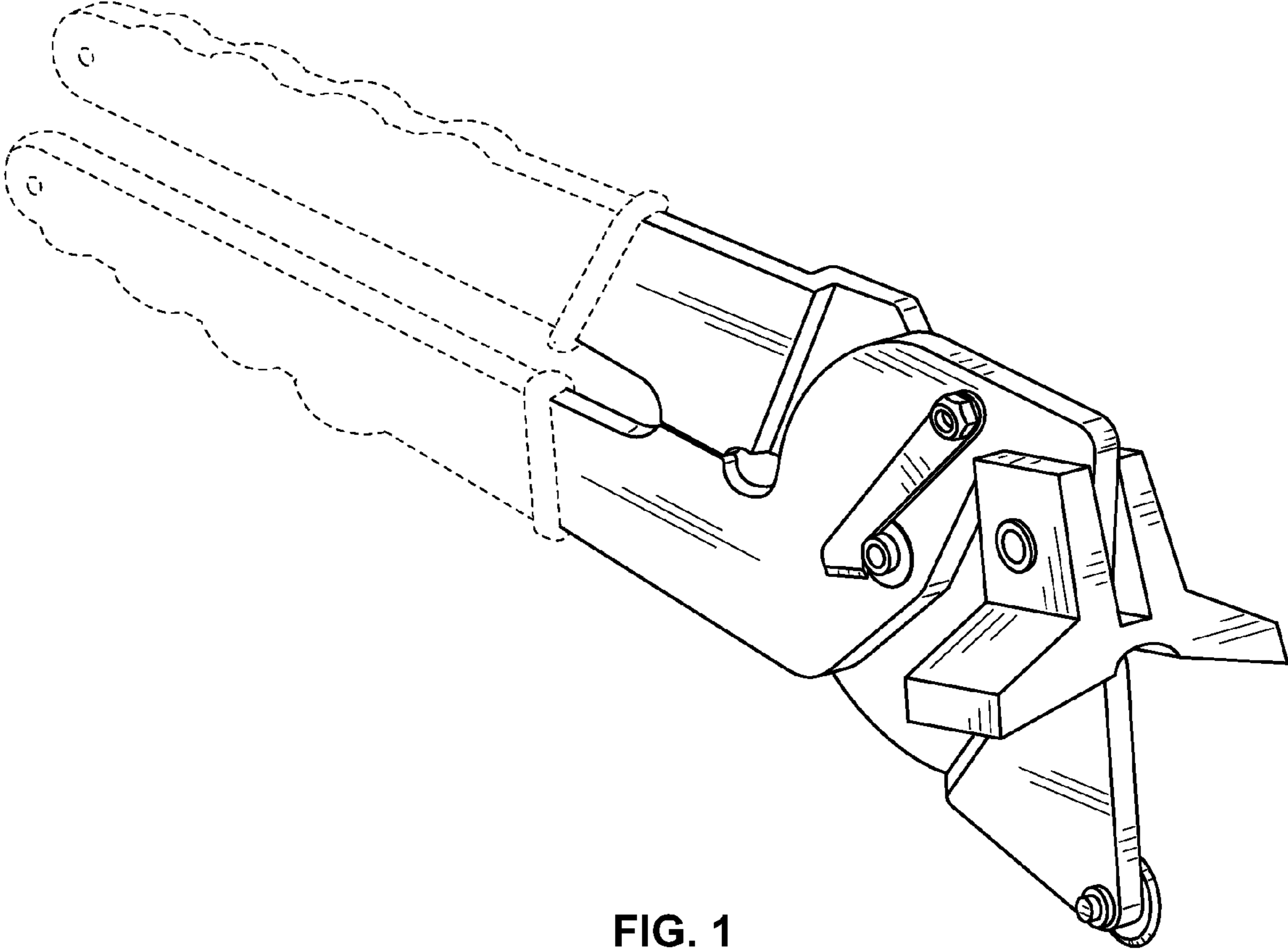


FIG. 1

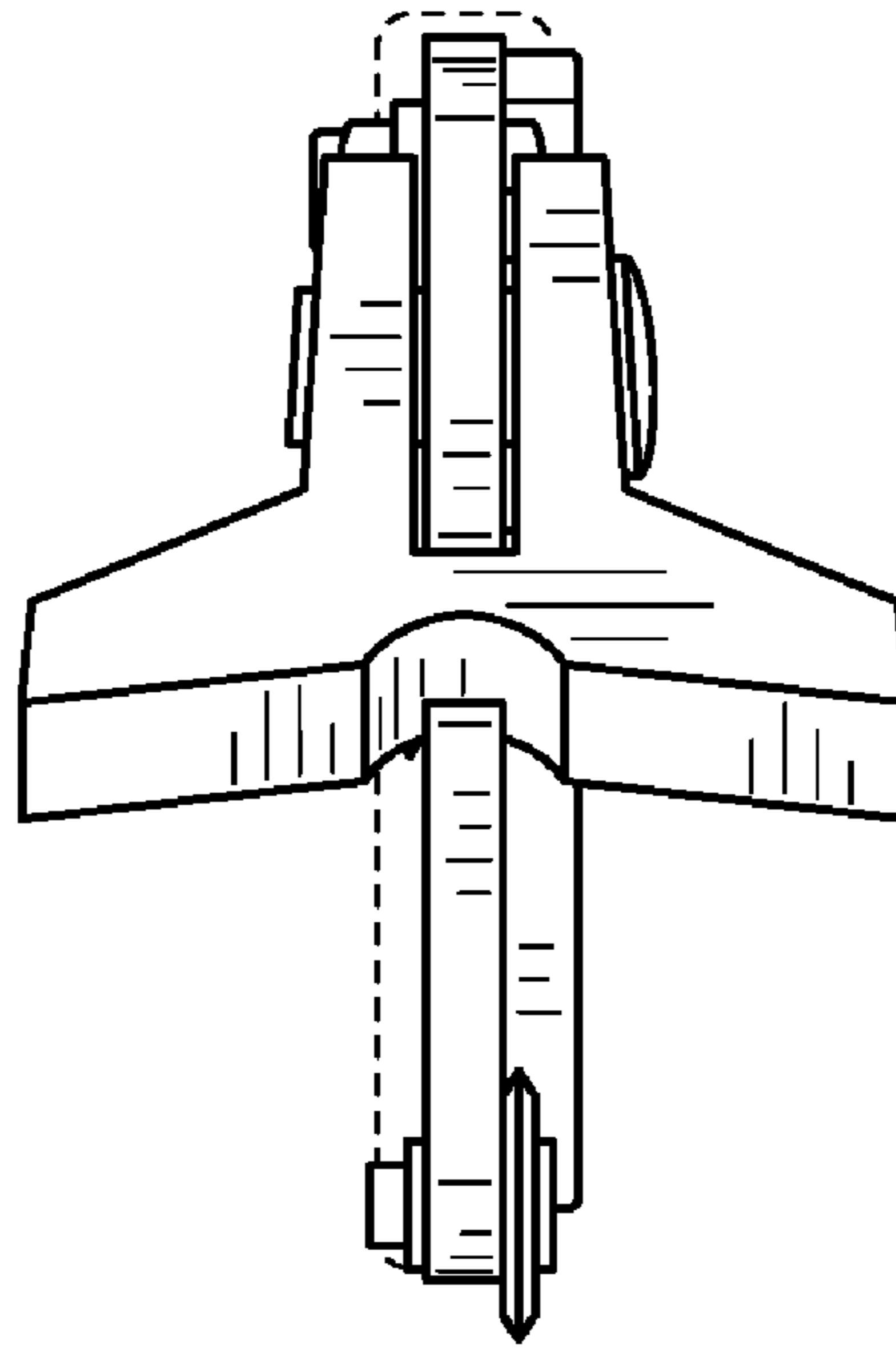


FIG. 2

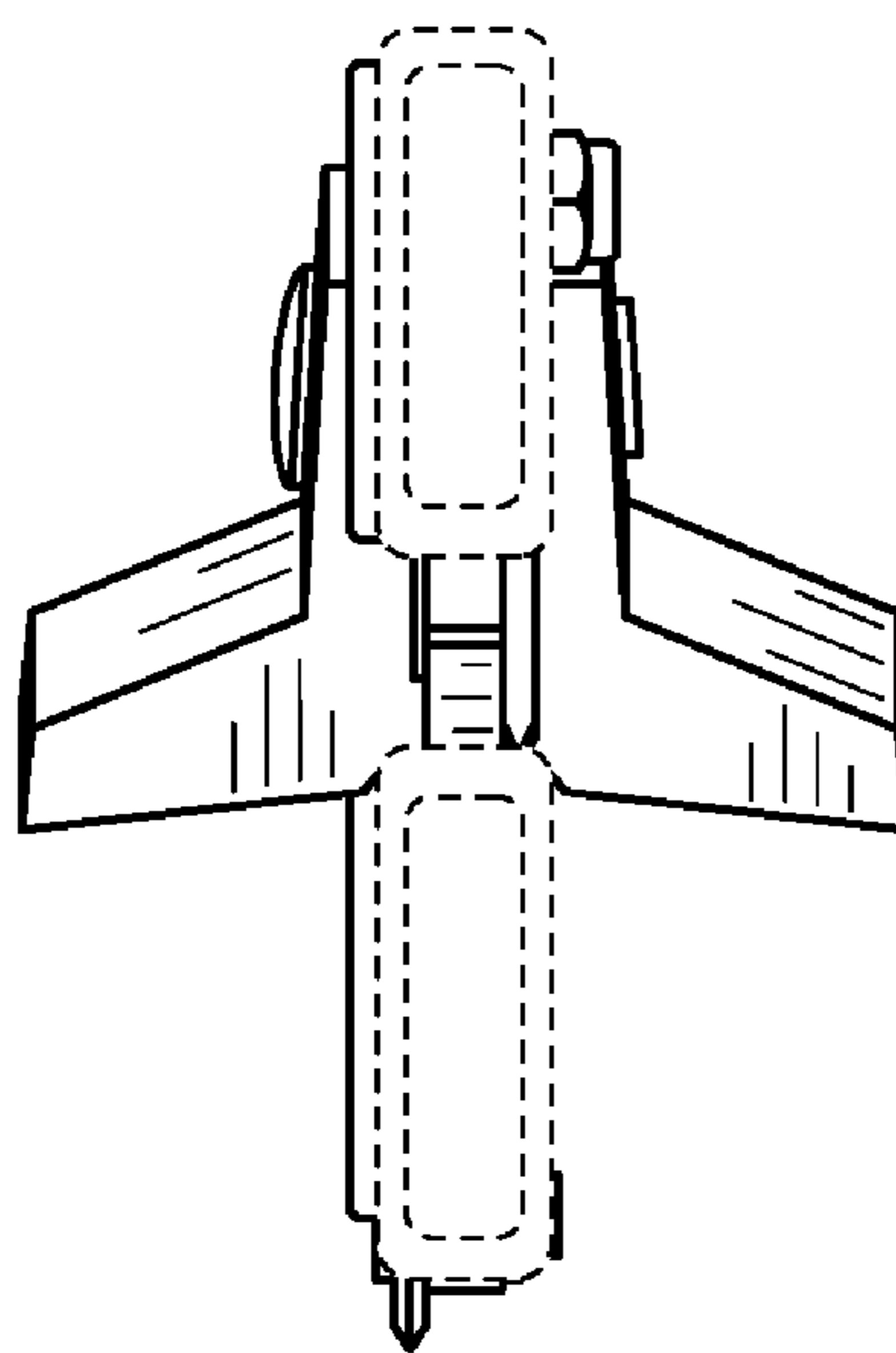


FIG. 3

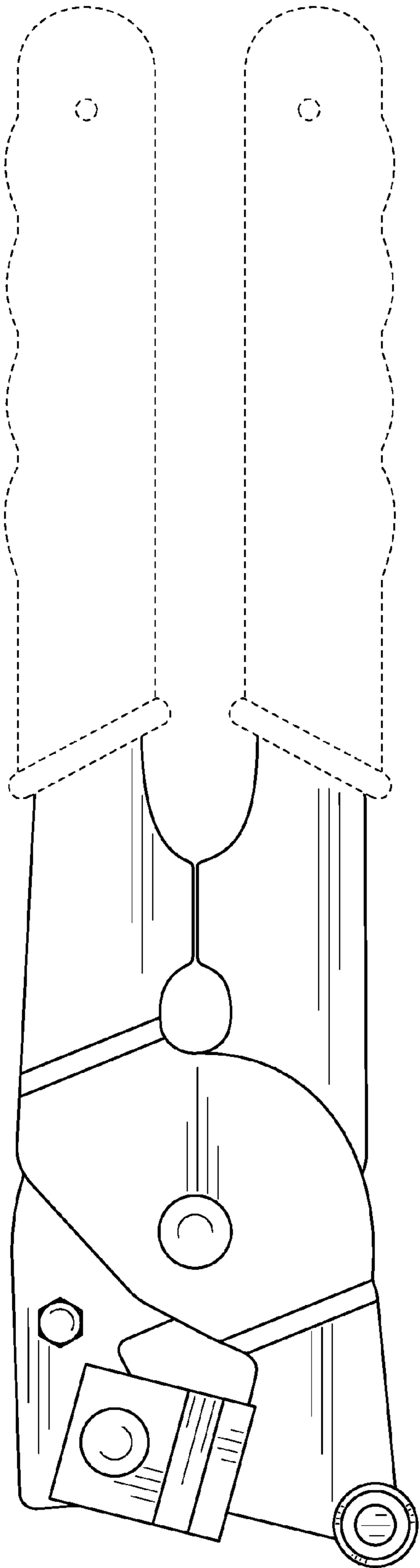


FIG. 4

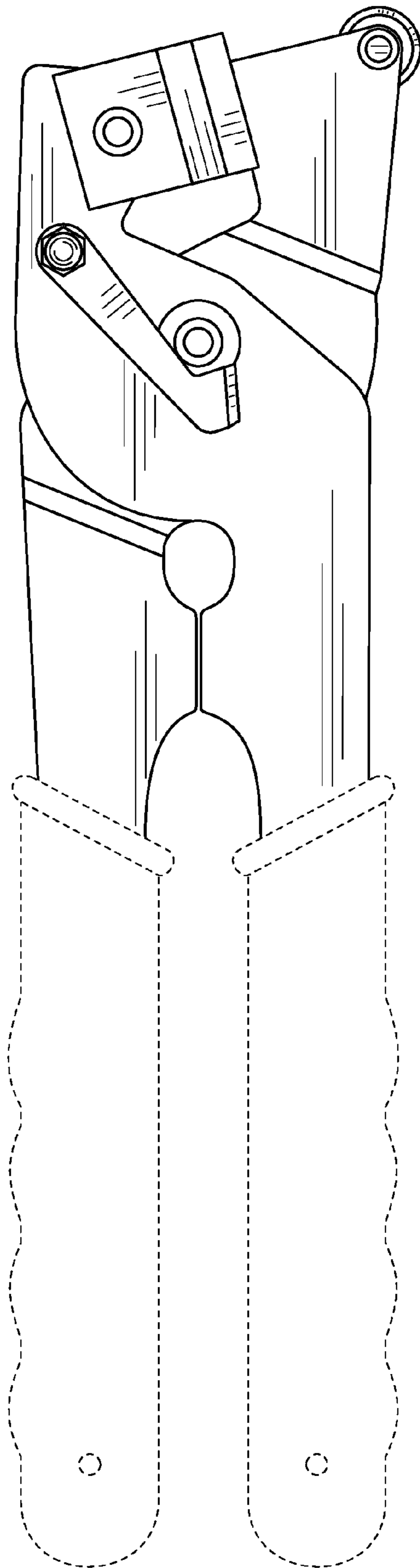


FIG. 5

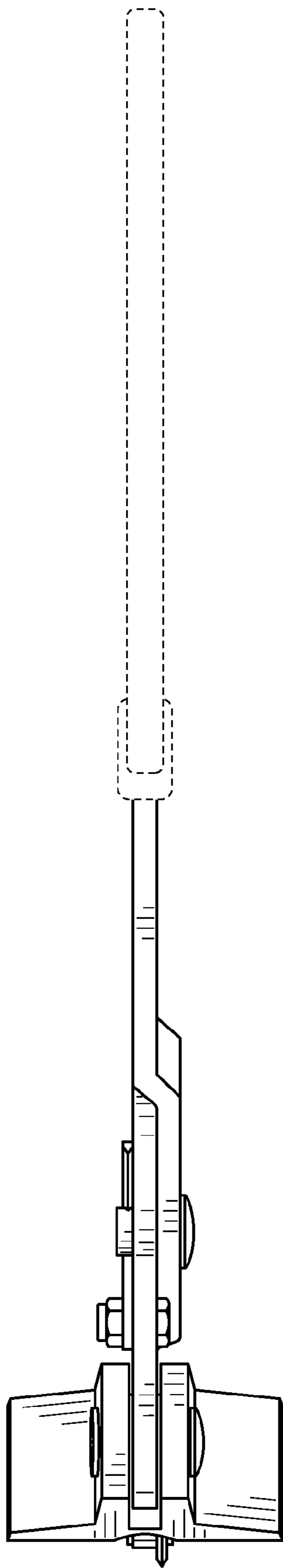


FIG. 6

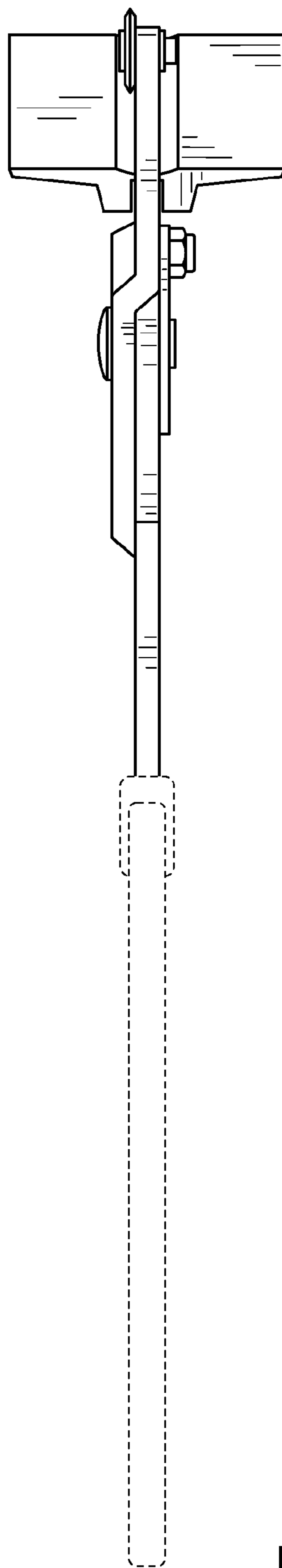


FIG. 7

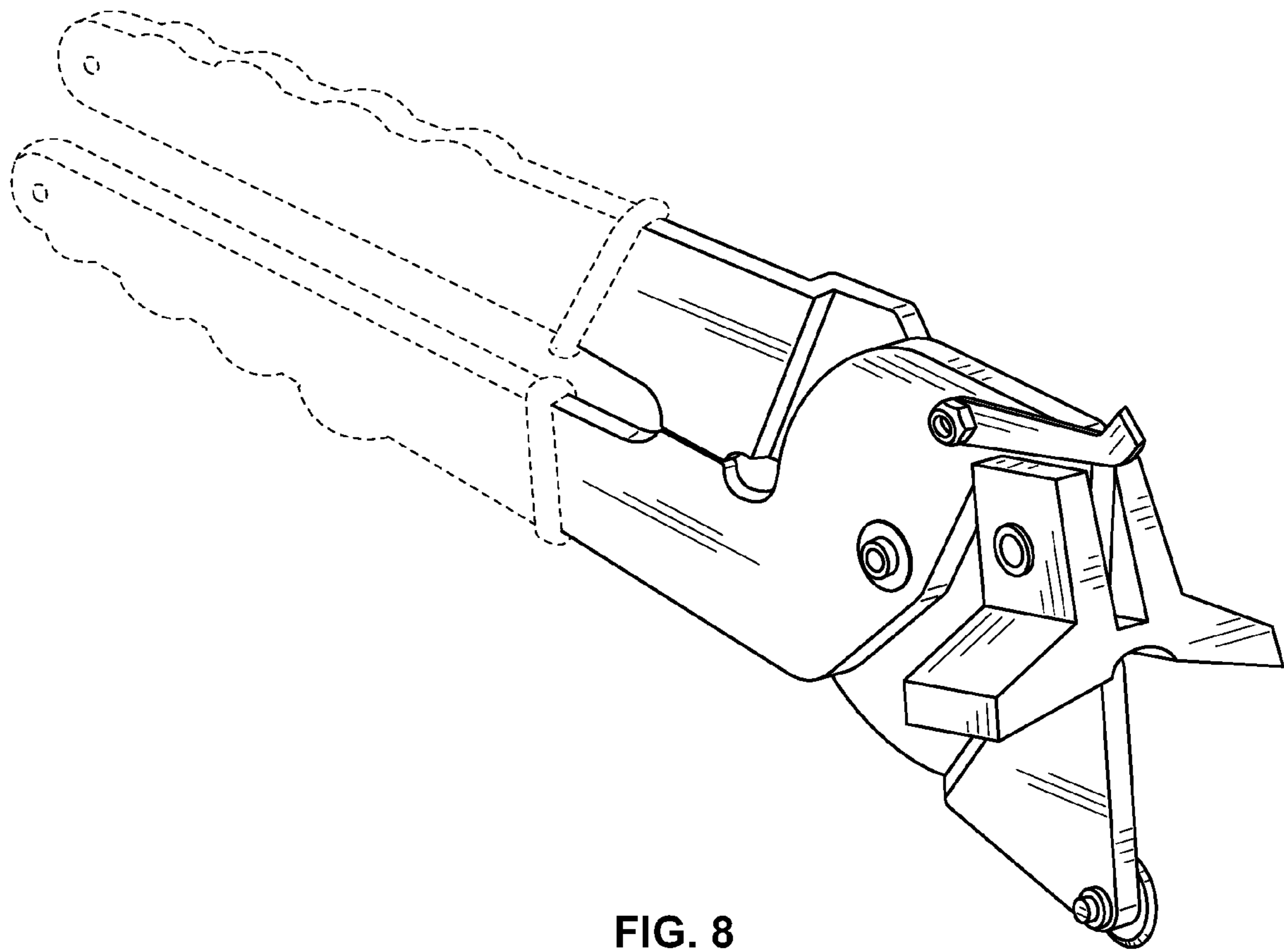


FIG. 8