



US00D615374S

(12) **United States Design Patent**
Limmer

(10) **Patent No.:** **US D615,374 S**

(45) **Date of Patent:** **** May 11, 2010**

(54) **FOOD PREPARATION APPARATUS**

(76) Inventor: **Robert Limmer**, 10 Maplewood Rd.,
Closter, NJ (US) 07624

(**) Term: **14 Years**

(21) Appl. No.: **29/317,544**

(22) Filed: **May 1, 2008**

Related U.S. Application Data

(63) Continuation-in-part of application No. 11/609,878,
filed on Dec. 12, 2006, now abandoned.

(51) **LOC (9) Cl.** **07-04**

(52) **U.S. Cl.** **D7/698**

(58) **Field of Classification Search** D7/368,
D7/213, 550.1, 554.1-554.4, 601, 637-638,
D7/698; D18/34.3, 34.9; D19/72; 269/289 R,
269/302.1

See application file for complete search history.

(56) **References Cited**

U.S. PATENT DOCUMENTS

D33,418 S * 10/1900 Thompson D7/698
D185,576 S * 6/1959 Selber, Jr. D7/698
D193,487 S * 8/1962 Levenhagen D7/554.3
6,789,792 B1 * 9/2004 Angland 269/289 R

6,971,644 B1 * 12/2005 Kennedy et al. 269/289 R
D525,488 S * 7/2006 McWhorter D7/590
D555,986 S * 11/2007 Goldman D7/698

* cited by examiner

Primary Examiner—Ian Simmons

Assistant Examiner—Dana L Sipos

(74) *Attorney, Agent, or Firm*—Jennifer Meredith, Esq.;
Meredith & Keyhani, PLLC

(57) **CLAIM**

I claim the ornamental design for a food preparation apparatus, as shown and described.

DESCRIPTION

FIG. 1 is a top, front perspective view of a food preparation apparatus showing my new design;

FIG. 2 is a bottom, rear perspective view thereof;

FIG. 3 is a bottom plan view thereof;

FIG. 4 is a right side elevation view thereof;

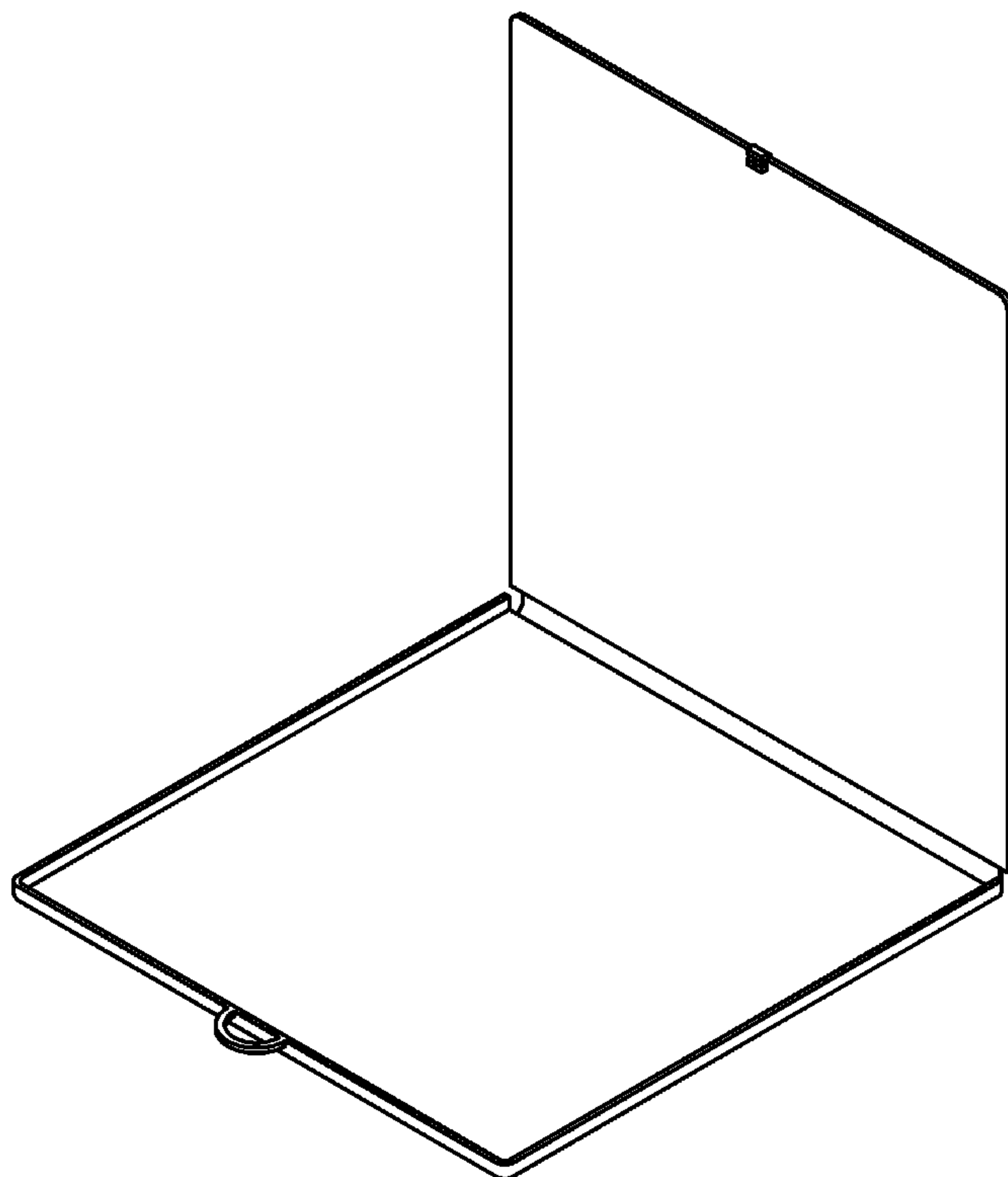
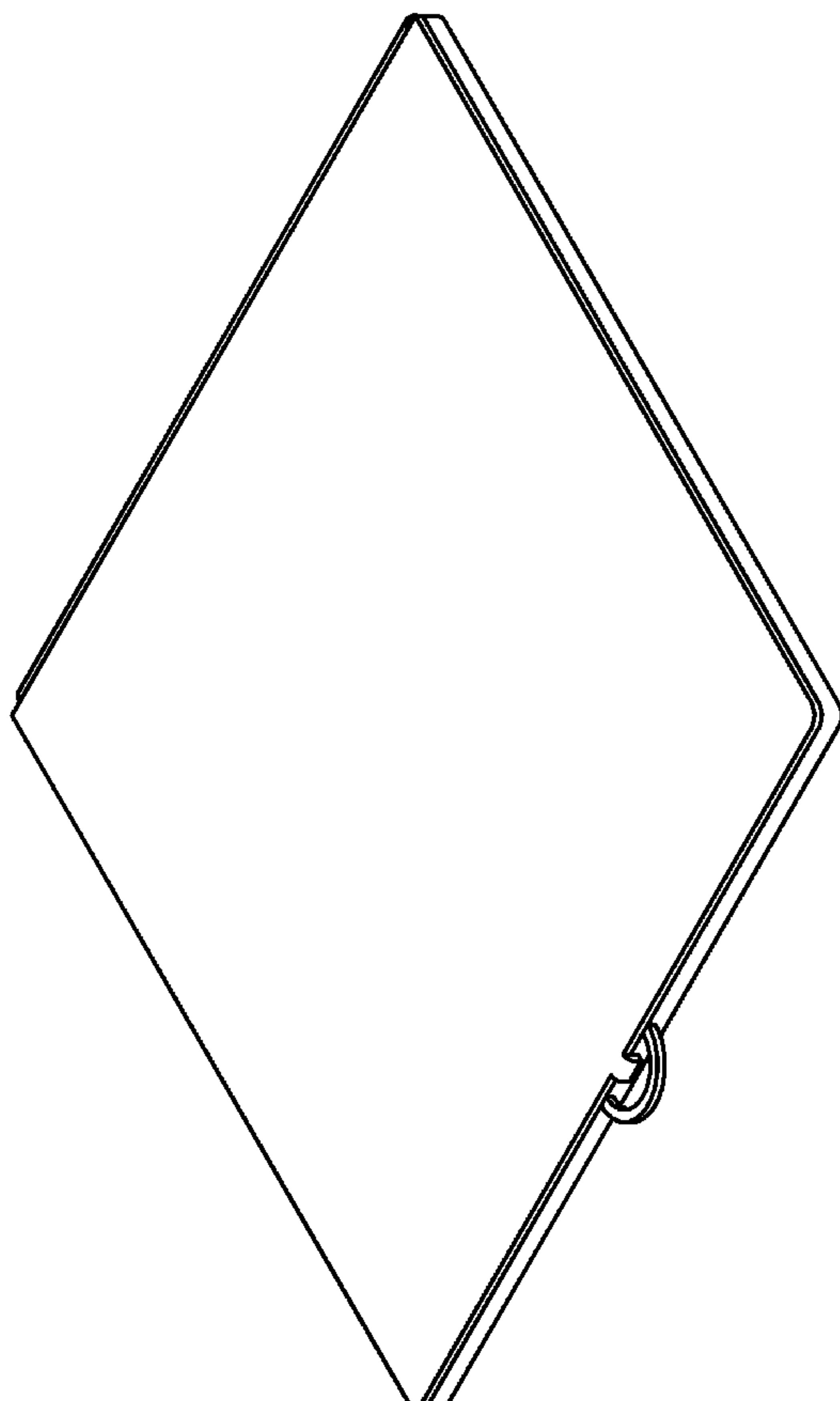
FIG. 5 is a front elevation view thereof;

FIG. 6 is a rear elevation view thereof;

FIG. 7 is a top, front, perspective view of the food preparation apparatus shown in the open position; and,

FIG. 8 is a bottom rear perspective view thereof.

1 Claim, 6 Drawing Sheets



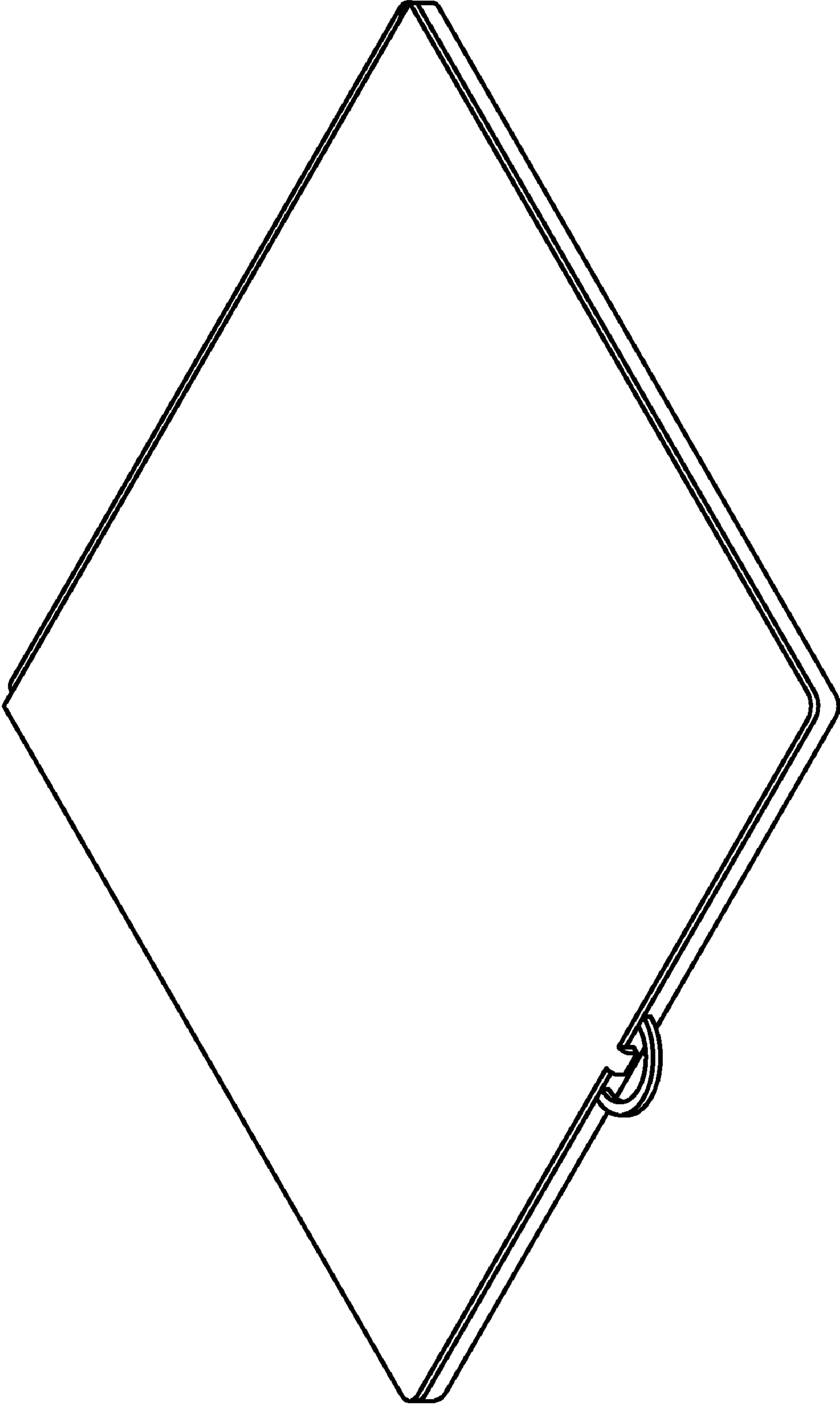


FIG. 1

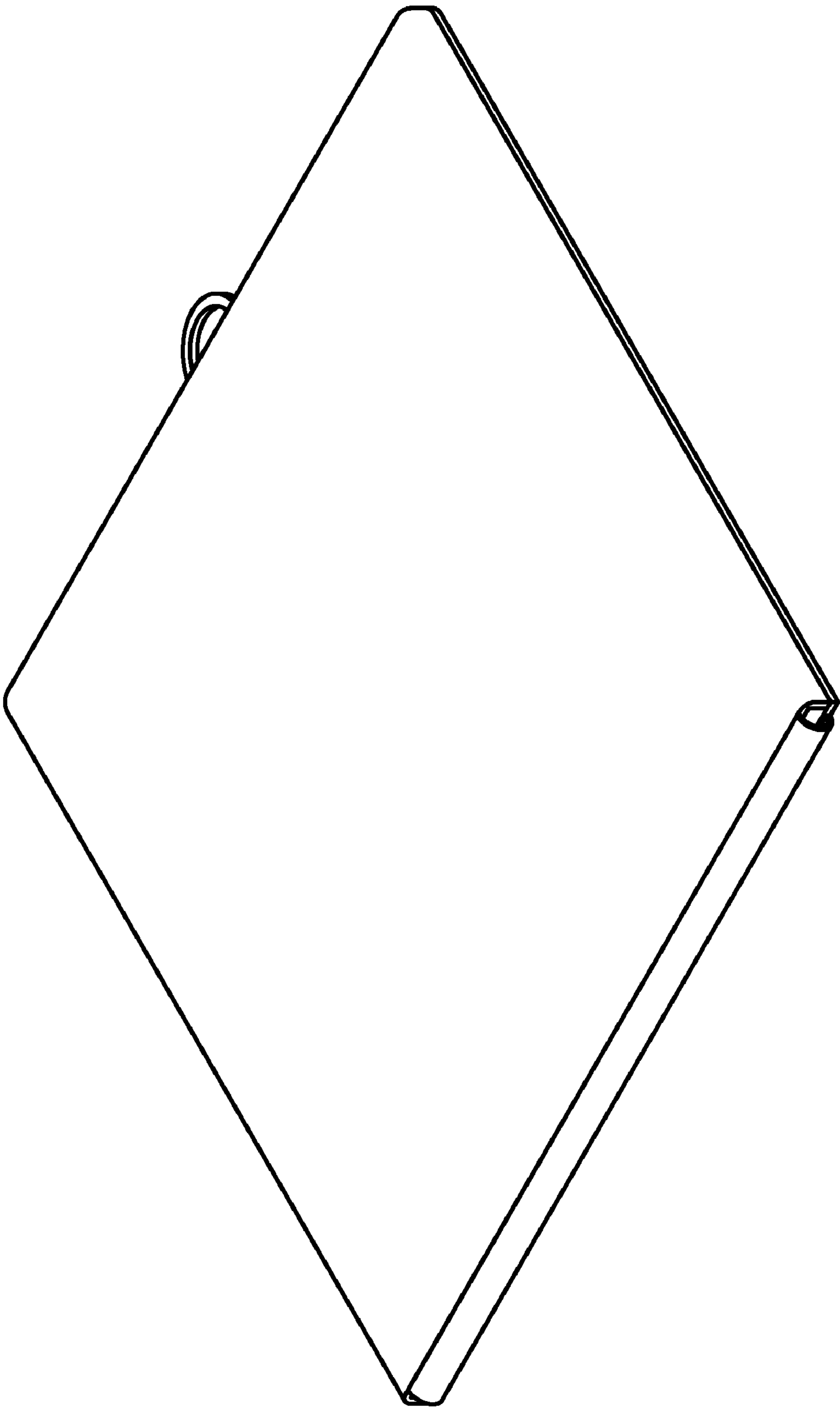


FIG. 2

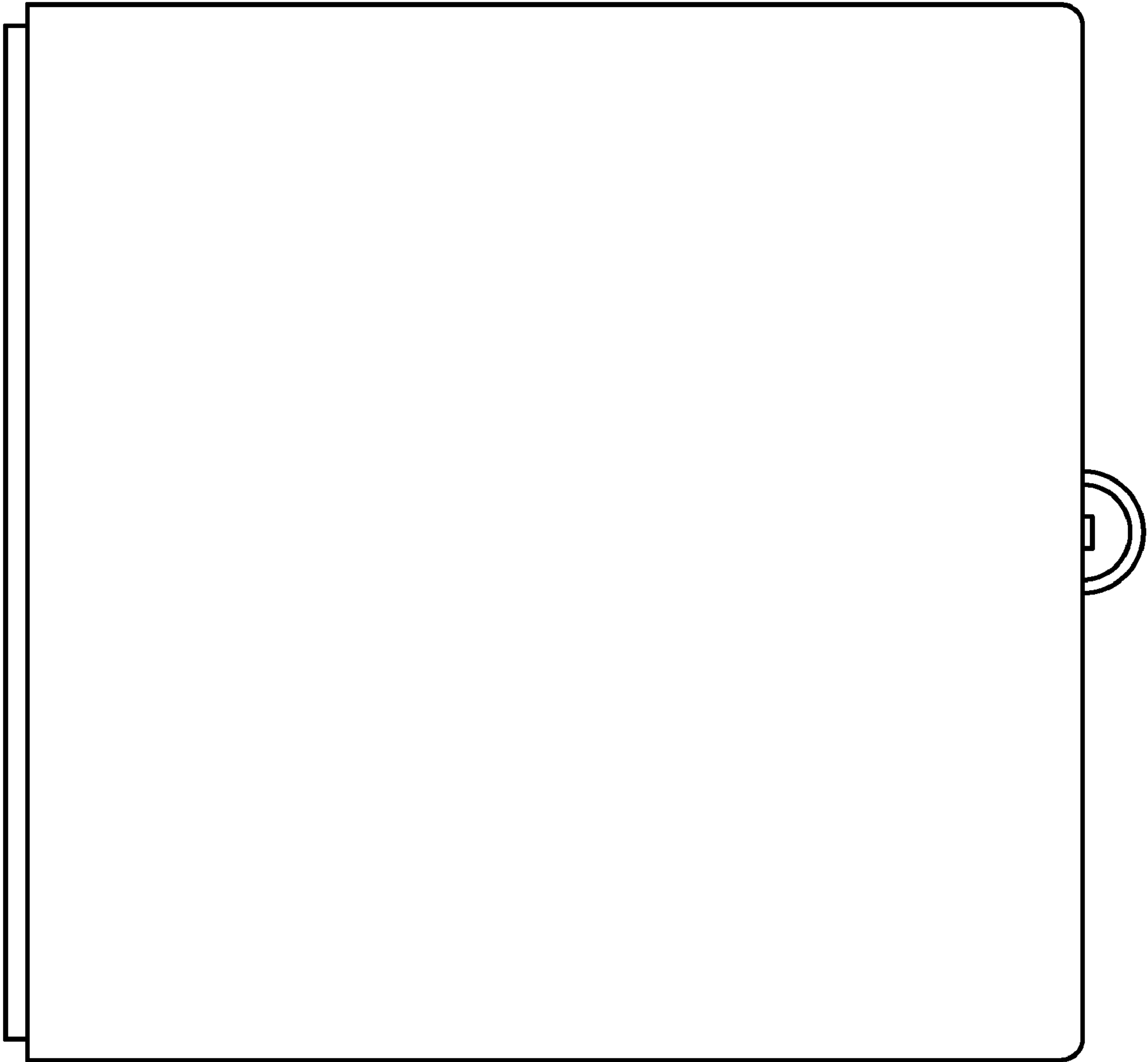


FIG. 3



FIG. 4



FIG. 5



FIG. 6

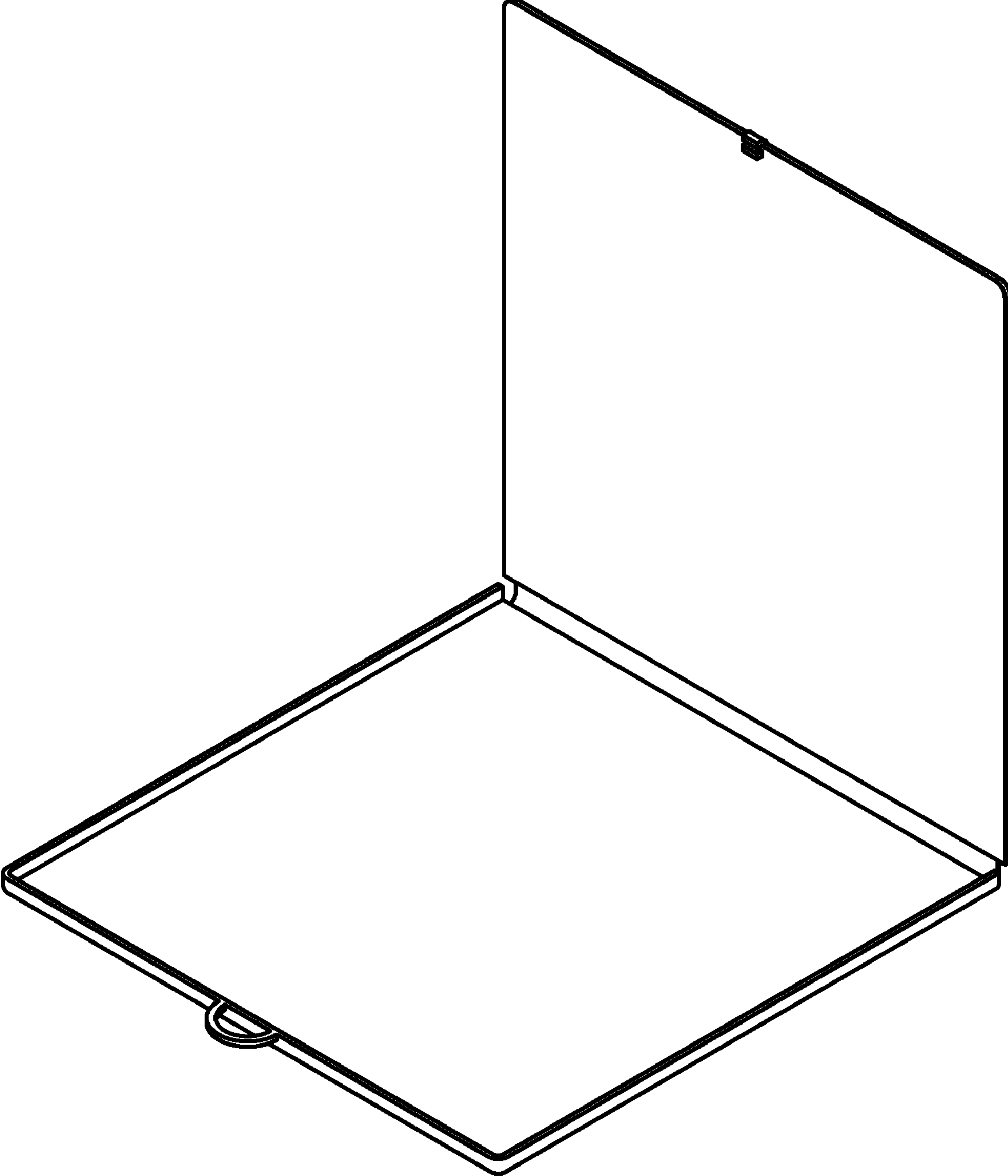


FIG. 7

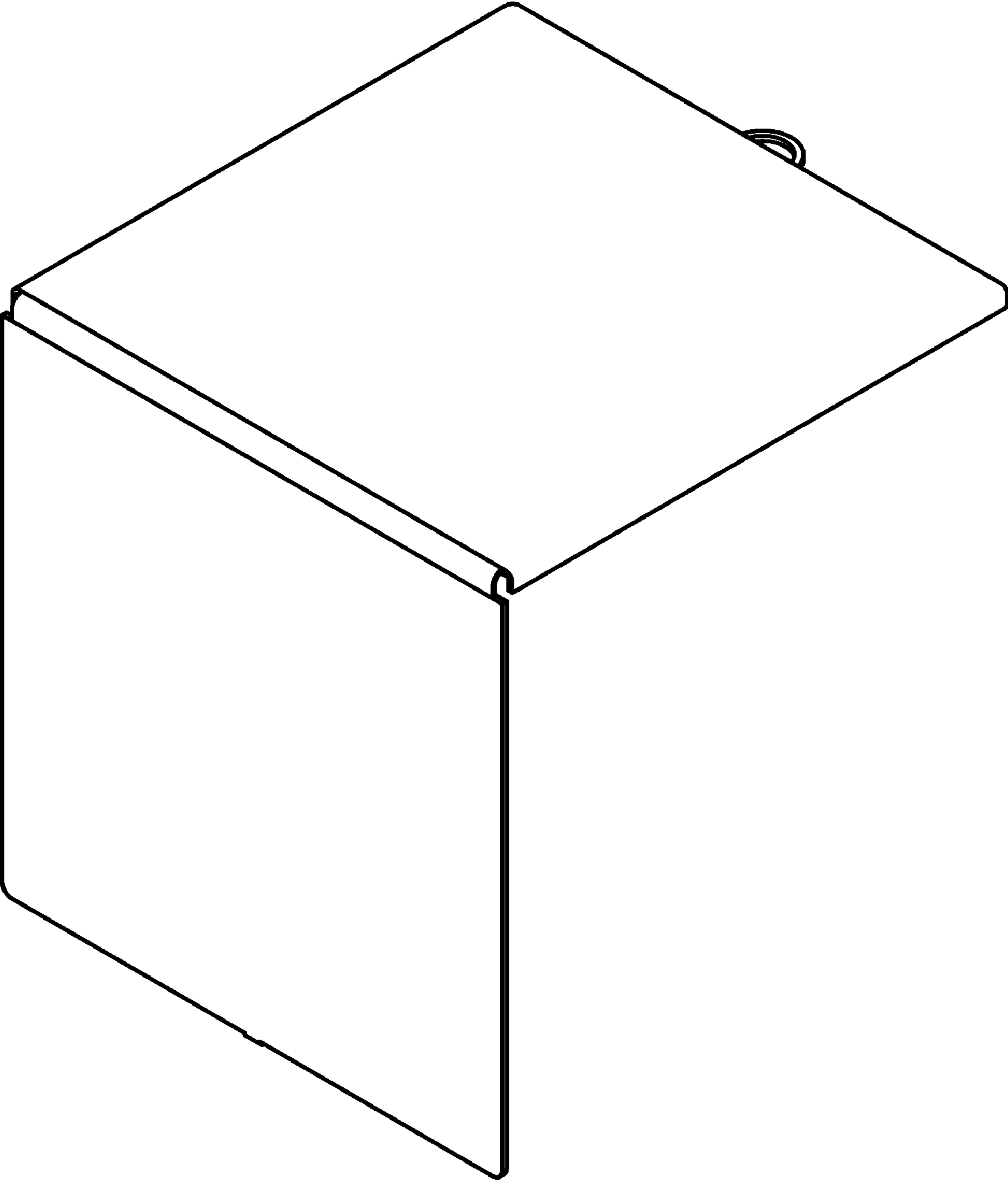


FIG. 8