



US00D615373S

(12) **United States Design Patent**
Chan

(10) **Patent No.:** **US D615,373 S**
(45) **Date of Patent:** **** May 11, 2010**

(54) **SALAD CUTTER**

(76) Inventor: **Ru Jie Chan**, Da Gang Tou Industrial Park, LiShui Town, Nanhai District, FoShan City, Guangdong Province (CN)

(**) Term: **14 Years**

(21) Appl. No.: **29/315,909**

(22) Filed: **Aug. 5, 2009**

(30) **Foreign Application Priority Data**

May 19, 2009 (CN) 2009 3 0165709

(51) **LOC (9) Cl.** **07-06**

(52) **U.S. Cl.** **D7/693**

(58) **Field of Classification Search** D7/693,
D7/669, 368, 371, 372, 383; 241/93, 95,
241/273.1-273.4, 280, 168, 169.1, 169; 99/501-511
See application file for complete search history.

(56) **References Cited**

U.S. PATENT DOCUMENTS

- 2,695,643 A * 11/1954 Aberer 241/92
- D206,927 S * 2/1967 Popell D7/372
- 3,610,304 A * 10/1971 Popeil et al. 241/92
- 4,227,656 A * 10/1980 Engebretsen 241/93
- D260,129 S * 8/1981 Shun D7/678
- D276,202 S * 11/1984 Shun D7/678
- D493,074 S * 7/2004 Brousseau et al. D7/678

- D507,455 S * 7/2005 Bertulis D7/376
- D517,873 S * 3/2006 So D7/678
- D543,774 S * 6/2007 Rohrer D7/381
- 7,337,997 B2 * 3/2008 Ko 241/93

* cited by examiner

Primary Examiner—Terry A Wallace
(74) *Attorney, Agent, or Firm*—Raymond Y. Chan; David and Raymond Patent Firm

(57) **CLAIM**

The ornamental design for a salad cutter, as shown and described.

DESCRIPTION

FIG. 1 is a perspective view of salad cutter showing my new design.

FIG. 2 is a front view thereof.

FIG. 3 is a rear view thereof.

FIG. 4 is a right end view thereof.

FIG. 5 is a left end view thereof.

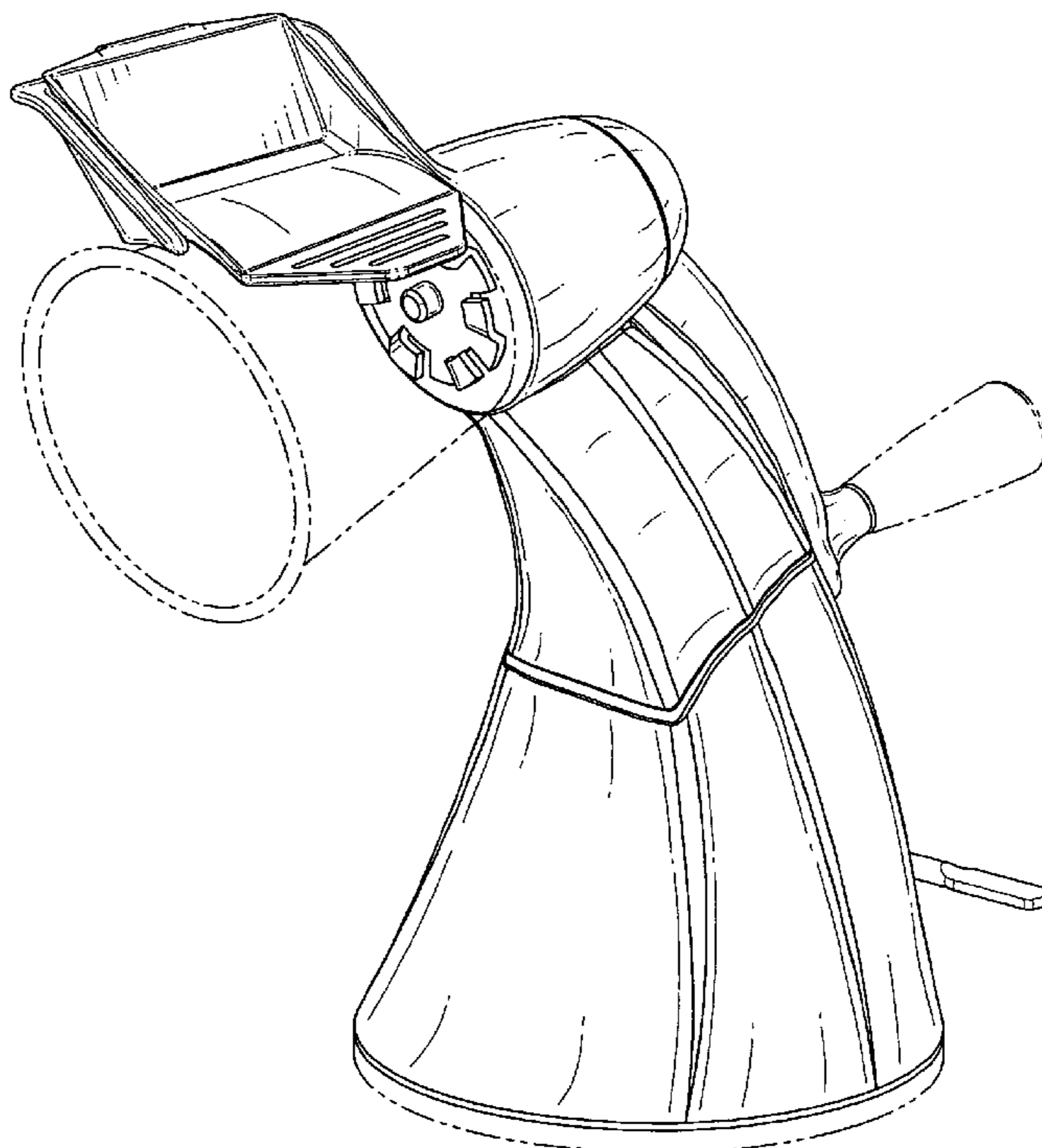
FIG. 6 is a top view thereof.

FIG. 7 is a bottom view thereof; and,

FIG. 8 is a perspective view in an open position thereof.

The broken lines are for illustrative purposes only and form no part of the claimed design.

1 Claim, 8 Drawing Sheets



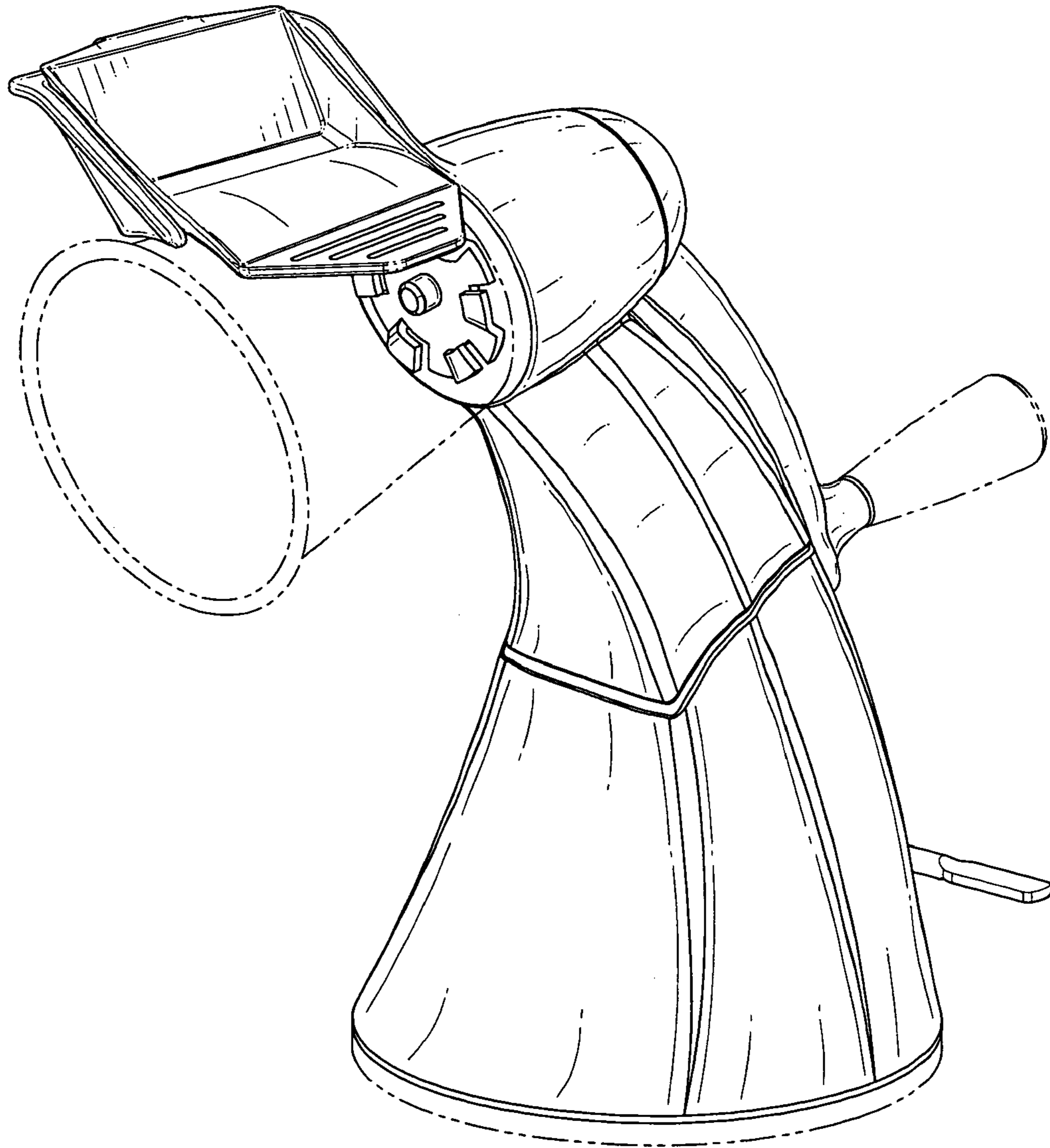


FIG. 1

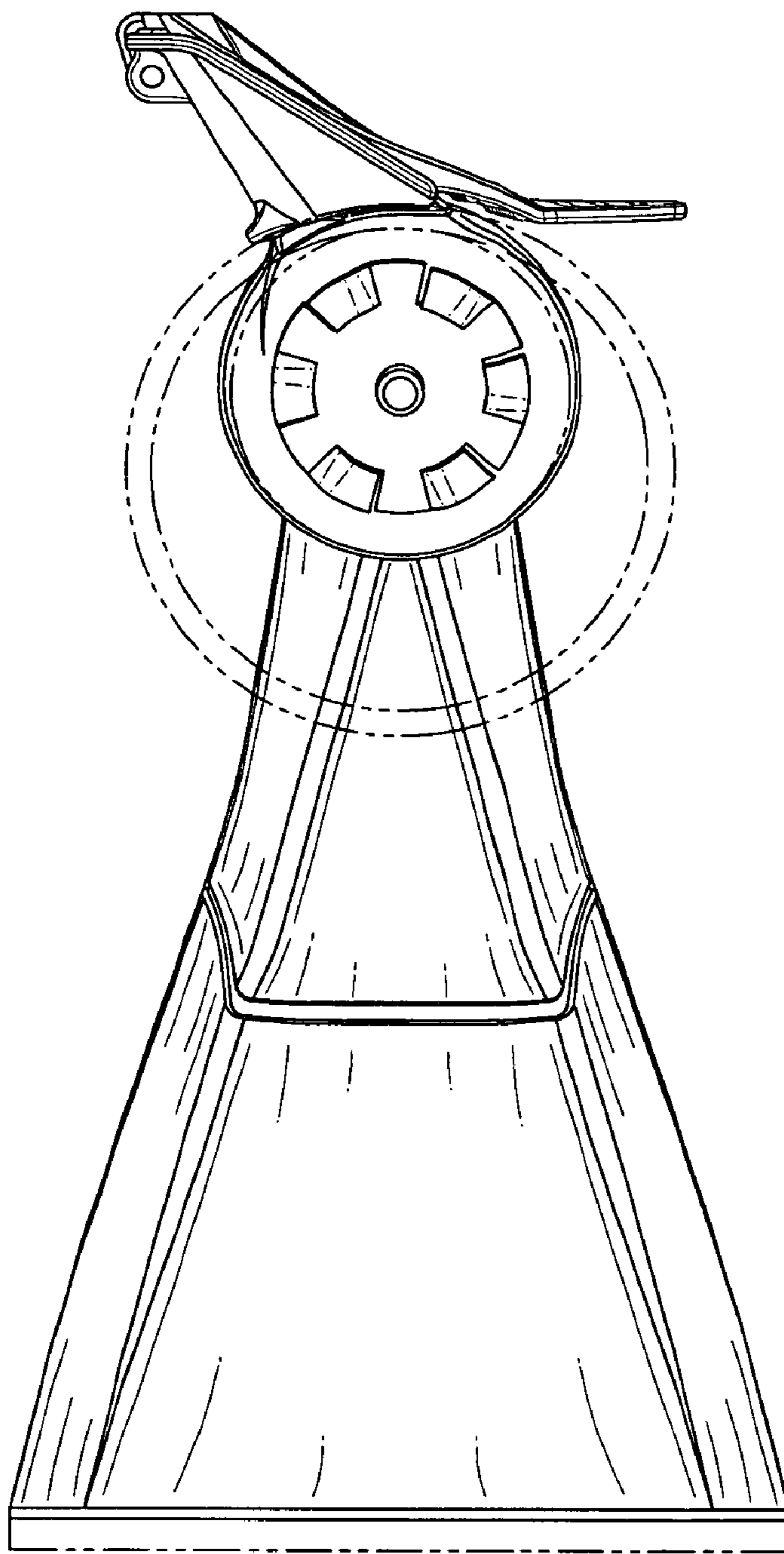


FIG.2

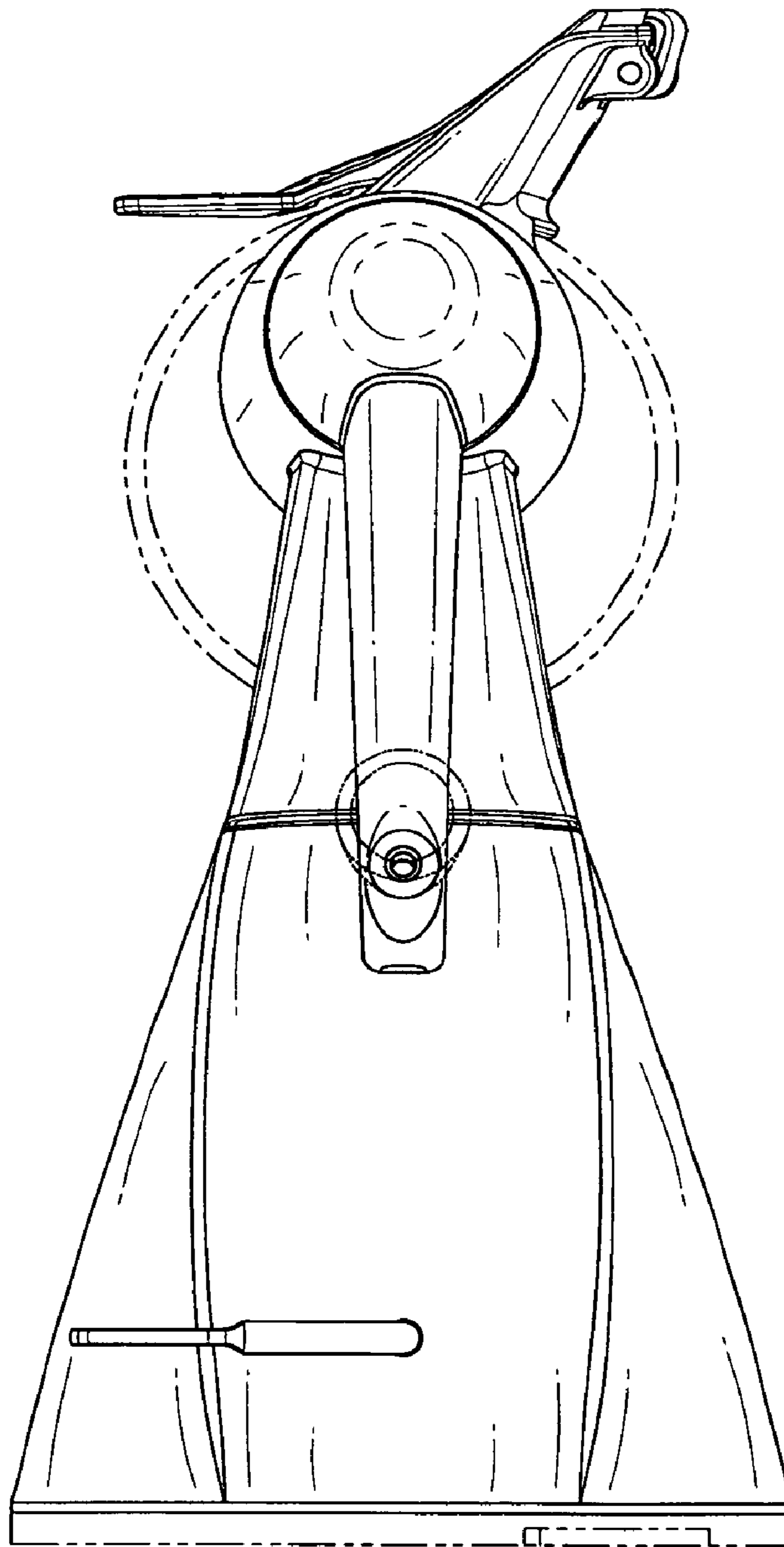


FIG.3

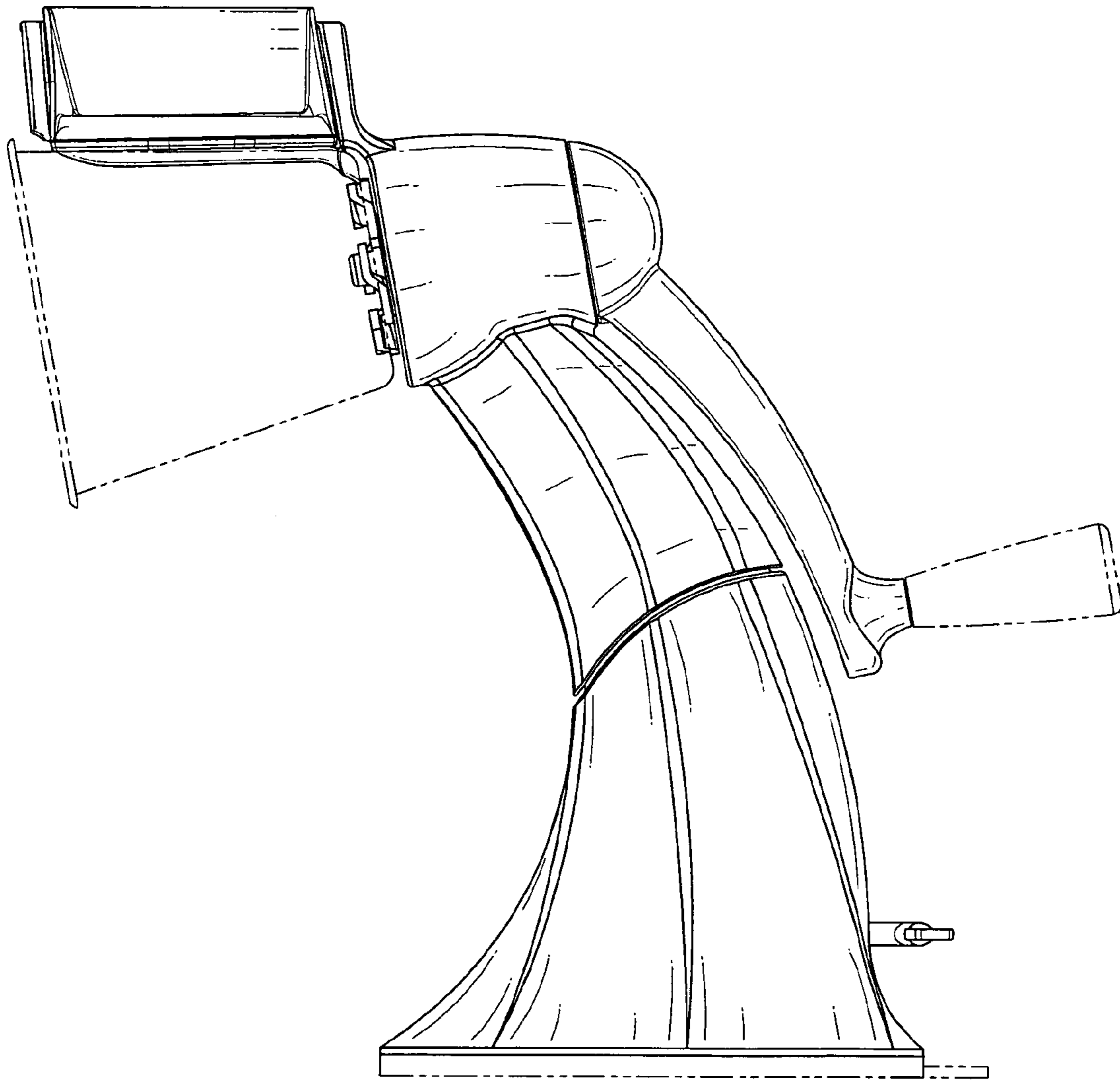


FIG.4

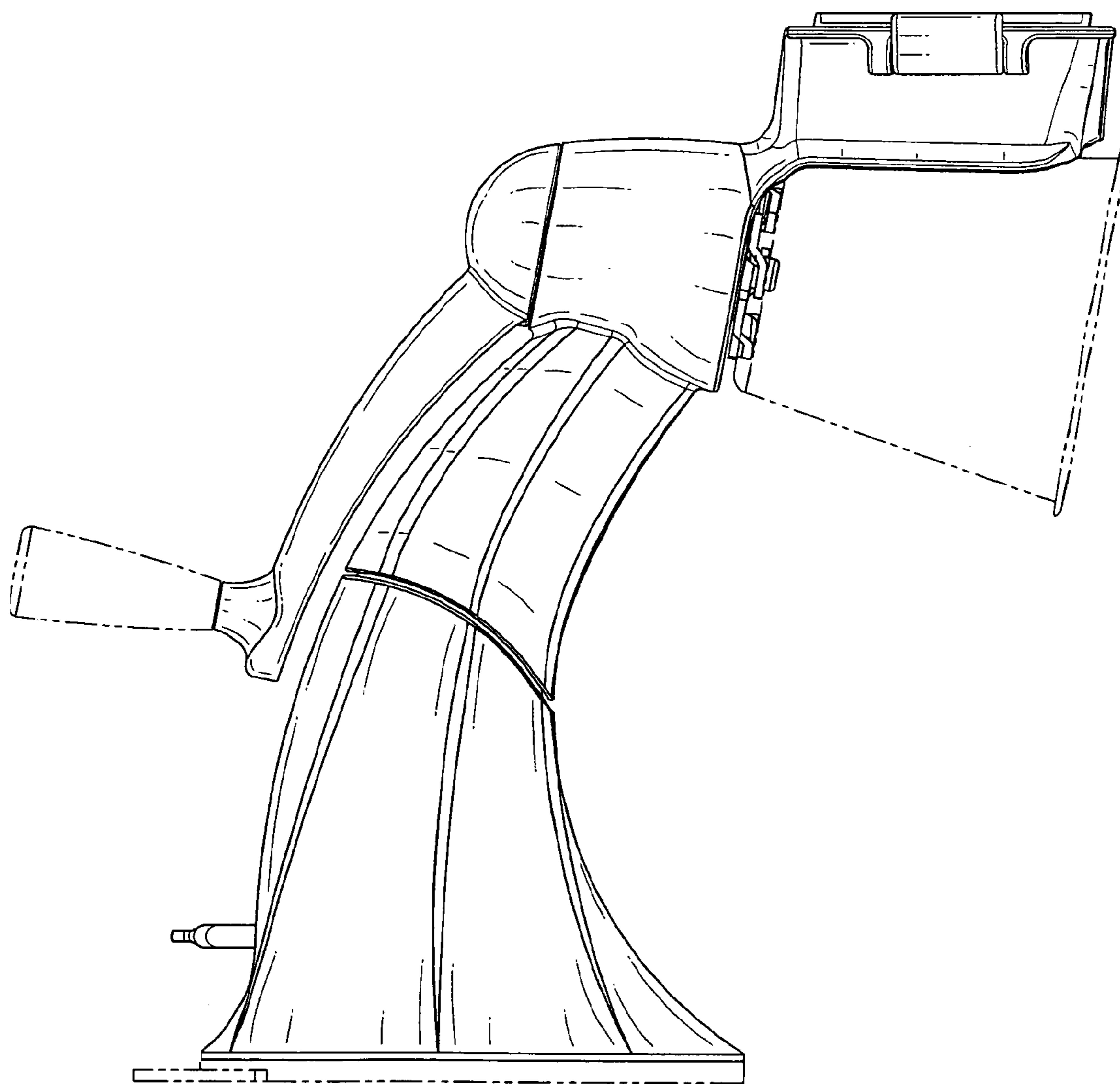


FIG.5

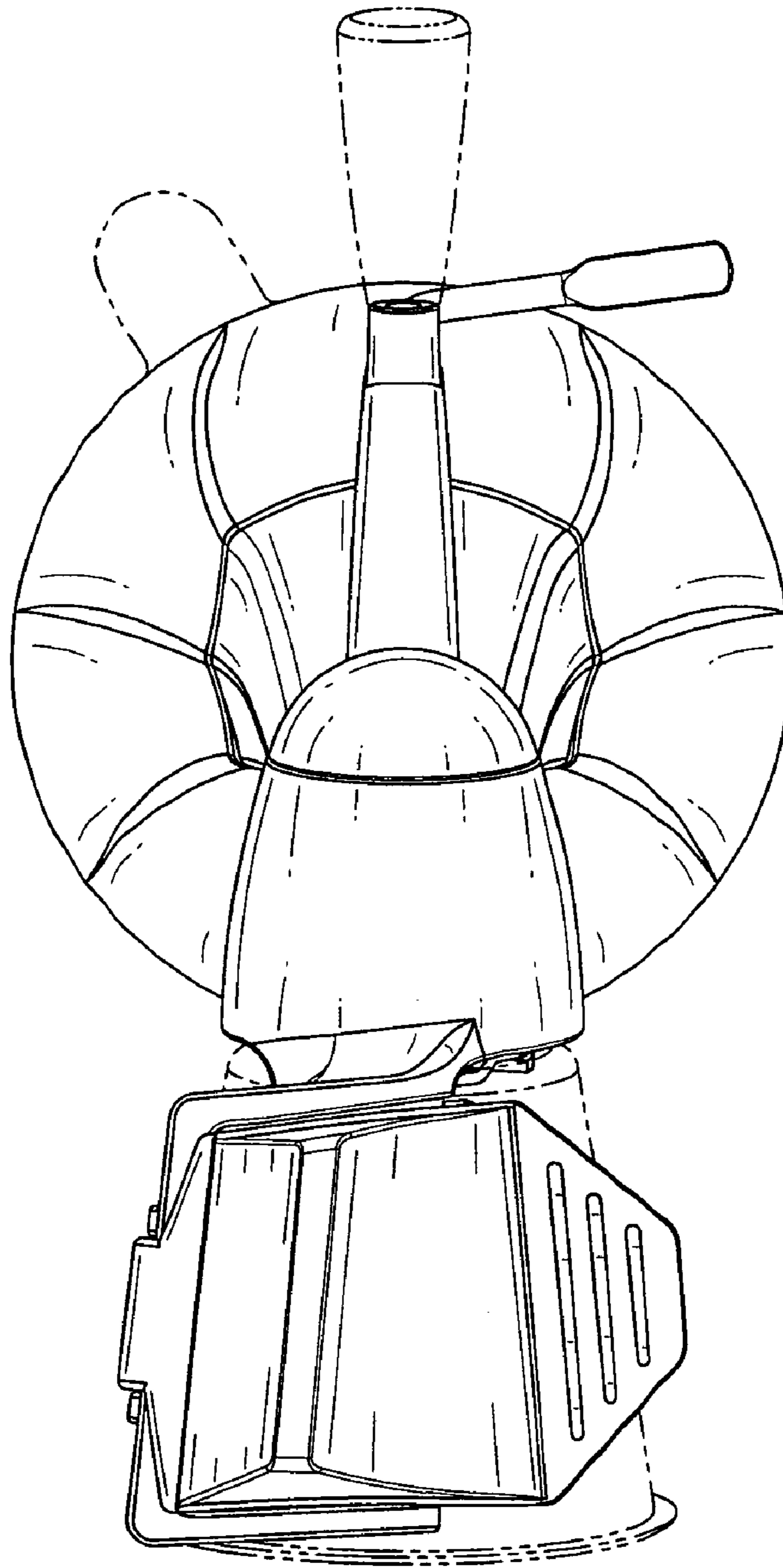


FIG.6

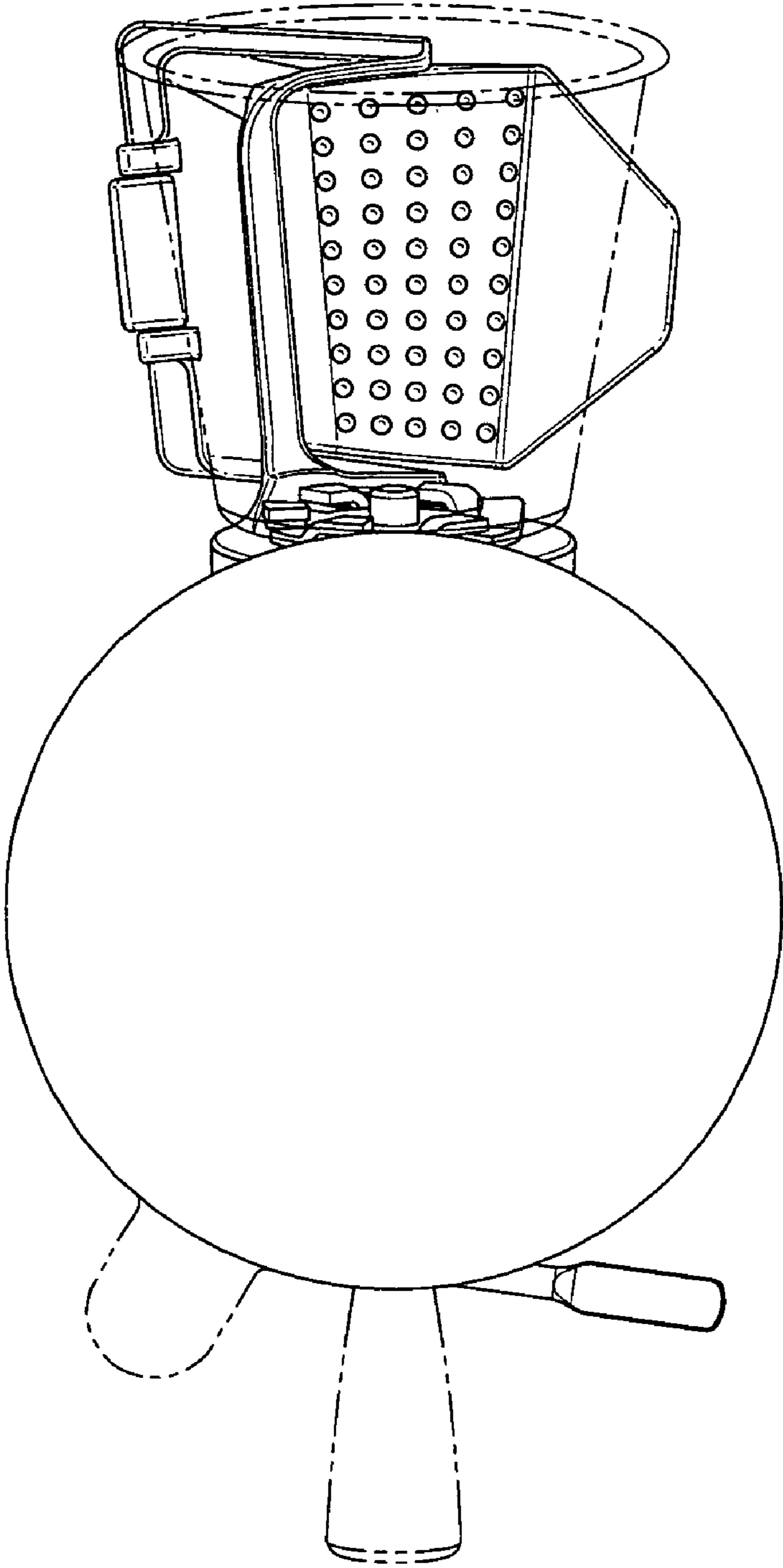


FIG.7

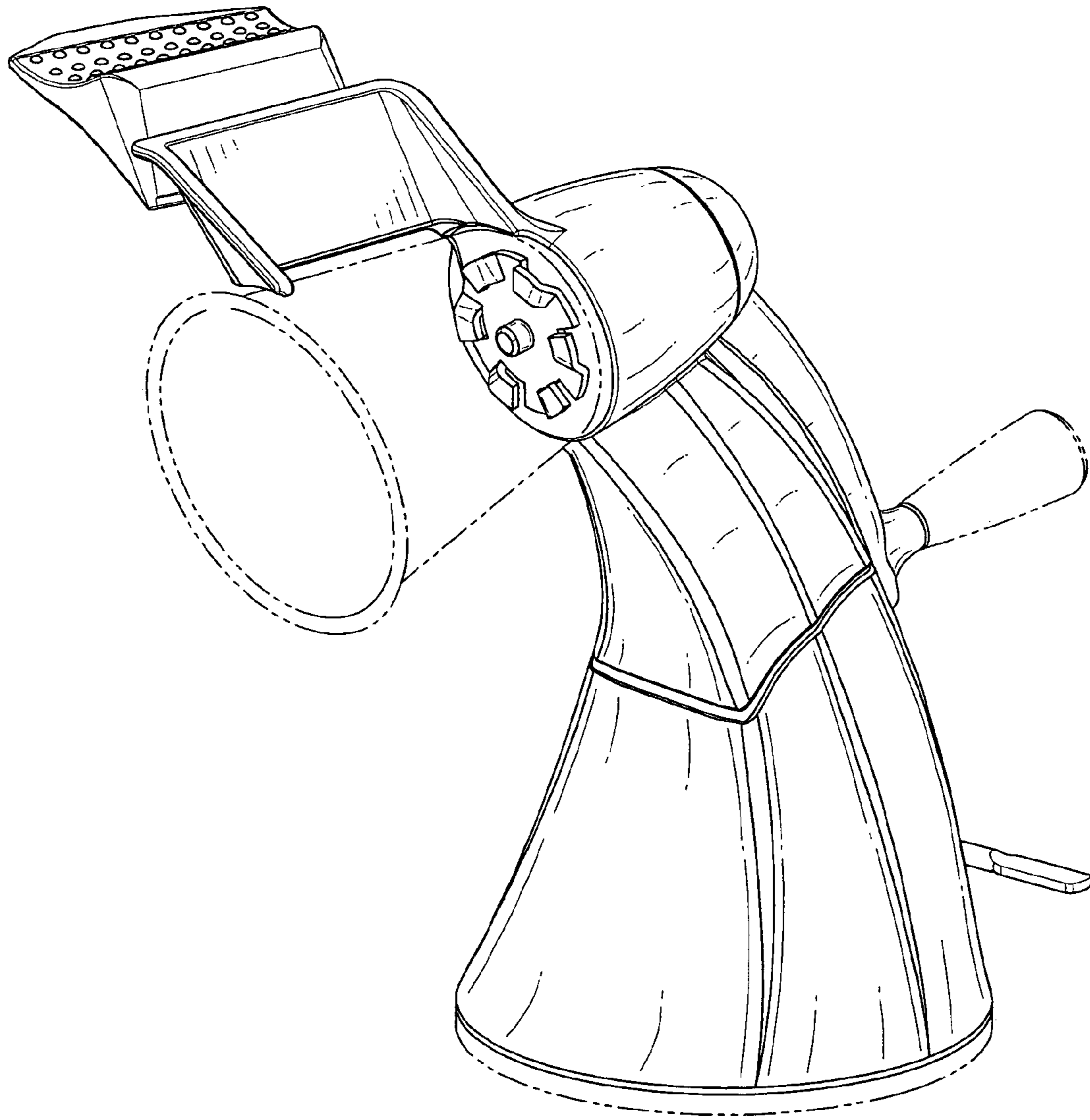


FIG.8