



US00D615366S

(12) **United States Design Patent**
Berezansky

(10) **Patent No.:** **US D615,366 S**

(45) **Date of Patent:** **** May 11, 2010**

(54) **HANDLE FOR A CAN OR BOTTLE**

(76) Inventor: **Scott D. Berezansky**, 206 9th St.,
Windber, PA (US) 15963

(**) Term: **14 Years**

(21) Appl. No.: **29/340,765**

(22) Filed: **Jul. 24, 2009**

(51) **LOC (9) Cl.** **07-06**

(52) **U.S. Cl.** **D7/622**

(58) **Field of Classification Search** D7/619.1-625;
294/31.2, 27.1, 32, 33; 215/396; 220/741,
220/742, 758, 759, 737

See application file for complete search history.

(56) **References Cited**

U.S. PATENT DOCUMENTS

2,029,051	A *	1/1936	Blevins	294/33
3,458,164	A *	7/1969	Massey	248/145.6
5,335,954	A *	8/1994	Holub et al.	294/31.2
6,729,665	B1 *	5/2004	Posey et al.	294/31.2
6,979,031	B2 *	12/2005	Coppotelli et al.	294/27.1
D517,314	S *	3/2006	Moyer	D3/229
D557,567	S *	12/2007	Gronikowski et al.	D7/622

* cited by examiner

Primary Examiner—Terry A Wallace

(74) *Attorney, Agent, or Firm*—QuickPatents, Inc.; Kevin Prince

(57) **CLAIM**

I claim the ornamental design for a a handle for a can or bottle, as shown and described.

DESCRIPTION

FIG. 1 is a perspective view of a a handle for a can or bottle, showing my new design;

FIG. 2 is a front elevational view thereof;

FIG. 3 is a rear elevational view thereof;

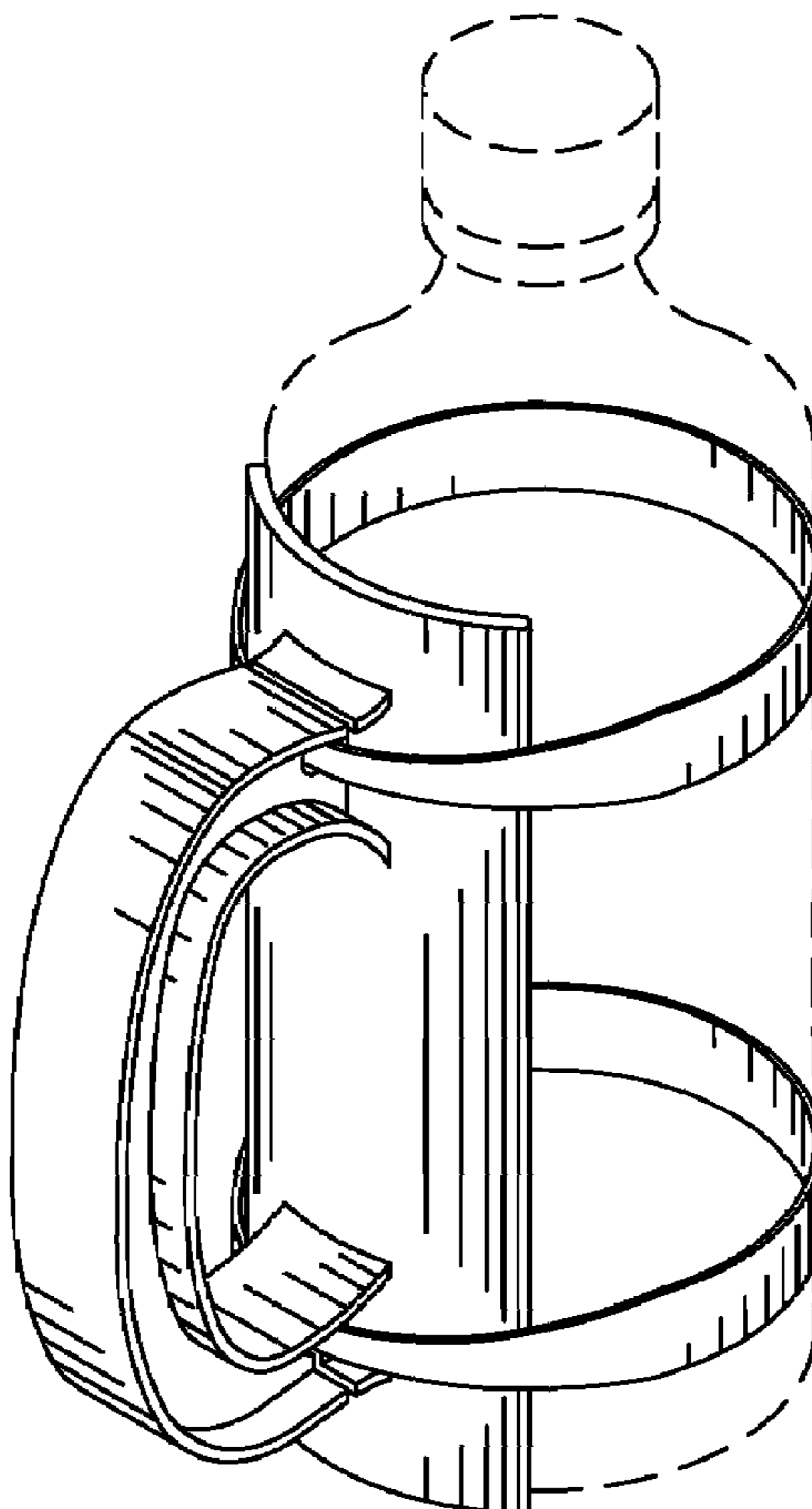
FIG. 4 is a right-side elevational view thereof, the left-side elevational view being a mirror image thereof;

FIG. 5 is a top plan view thereof; and,

FIG. 6 is a bottom plan view thereof.

The broken lines showing a bottle in FIG. 1 are included for the purpose of illustrating the invention in use, and form no part of the claimed design.

1 Claim, 2 Drawing Sheets



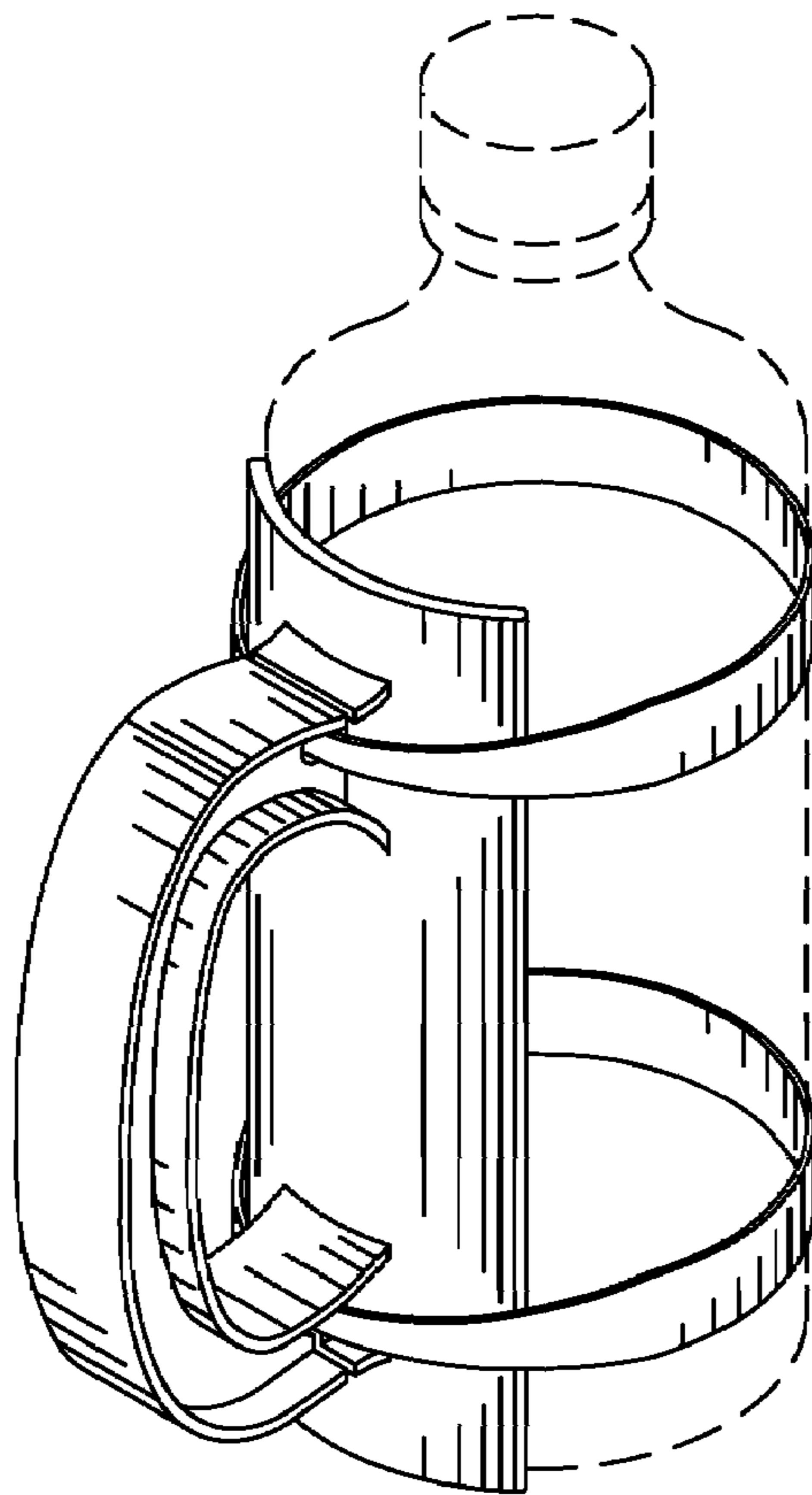


FIG. 1

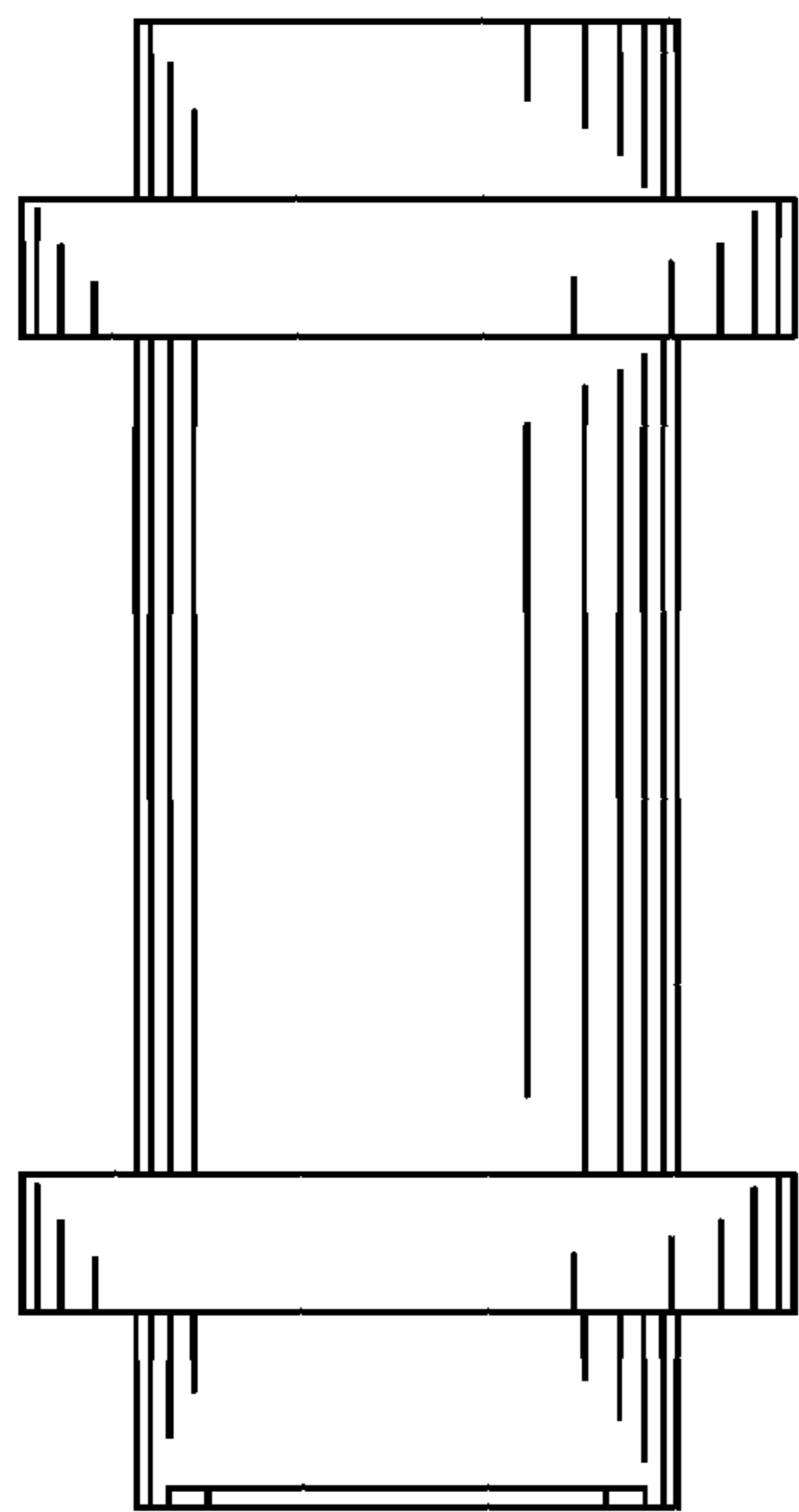


FIG. 2

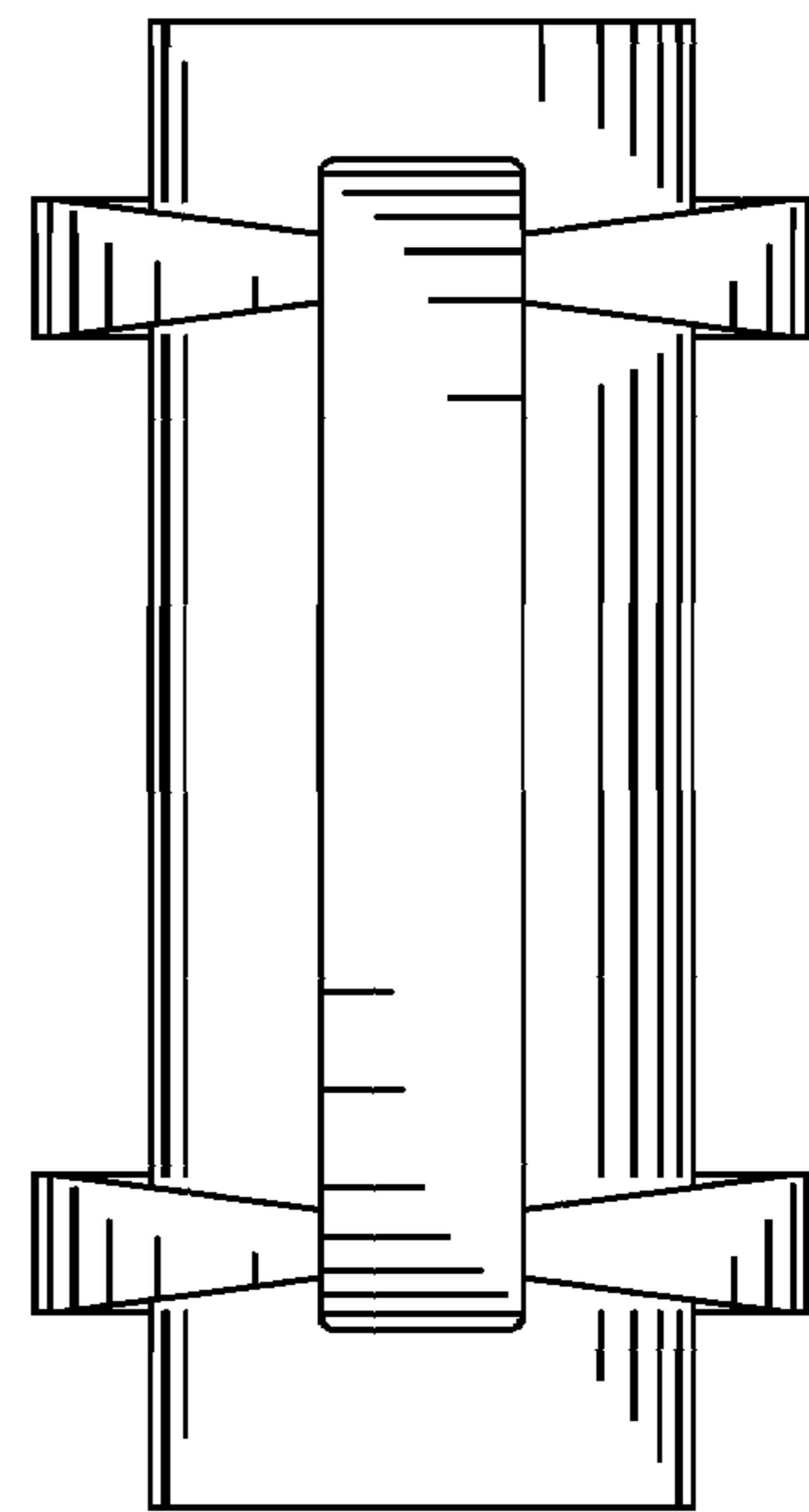


FIG. 3

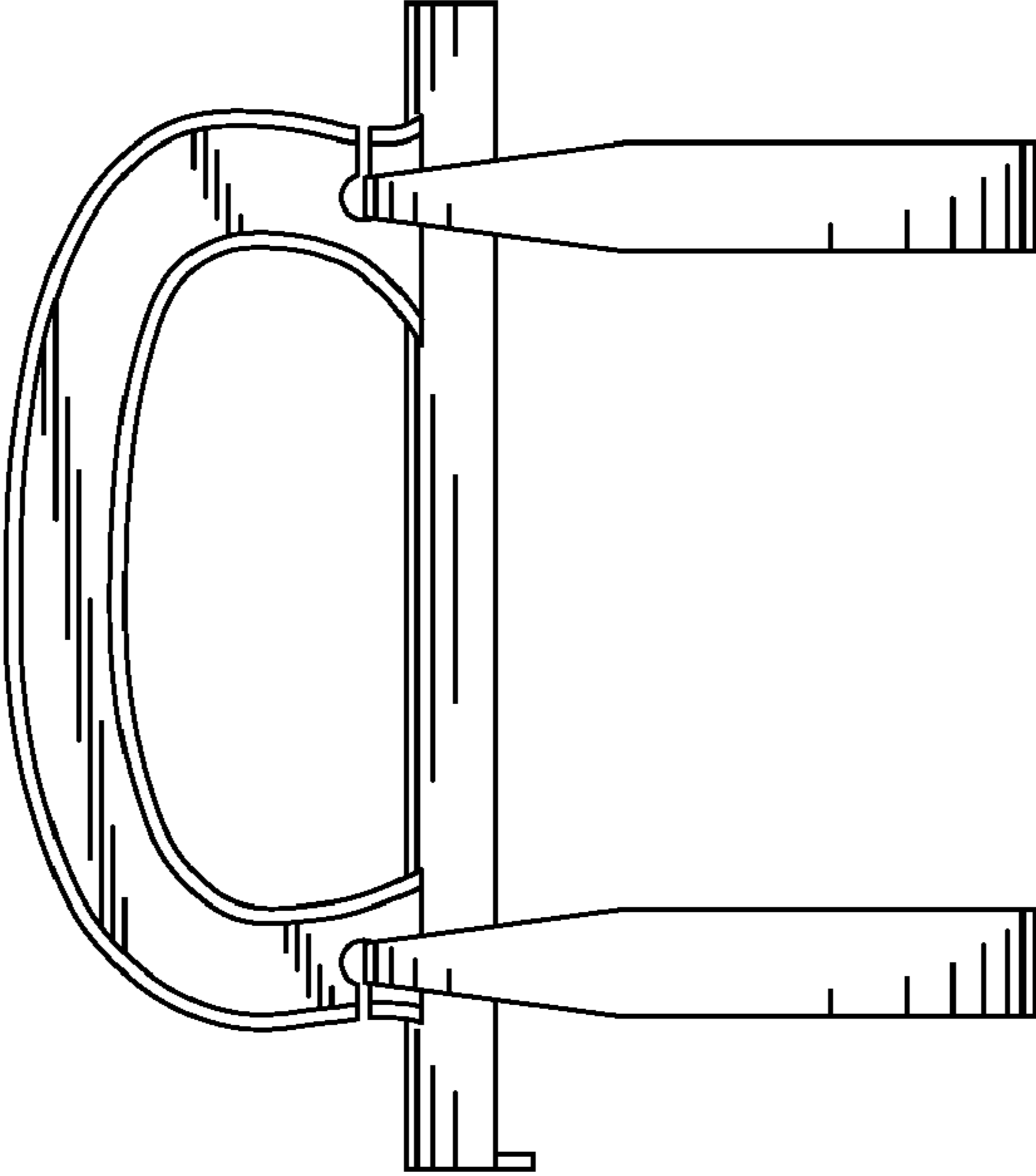


FIG. 4

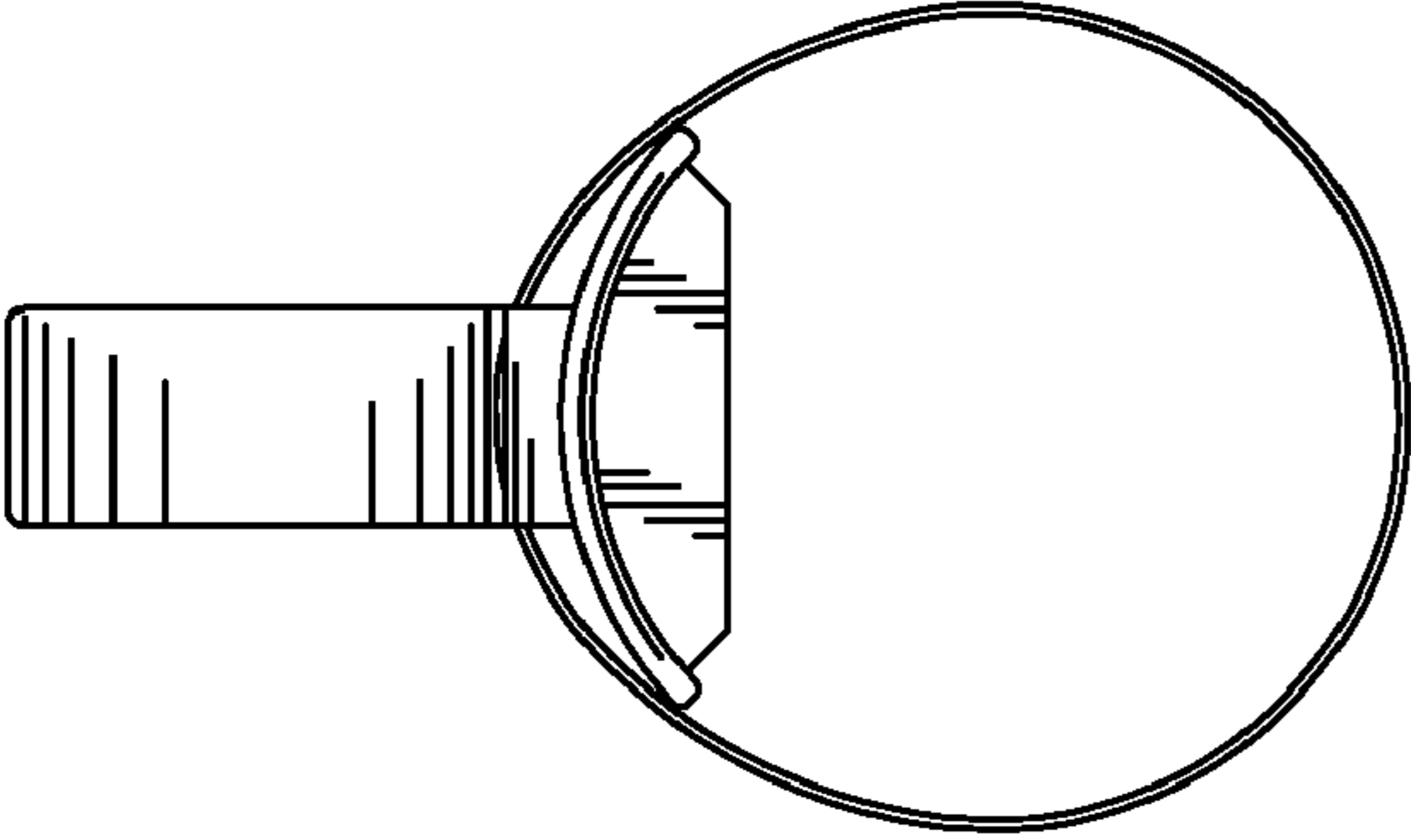


FIG. 5

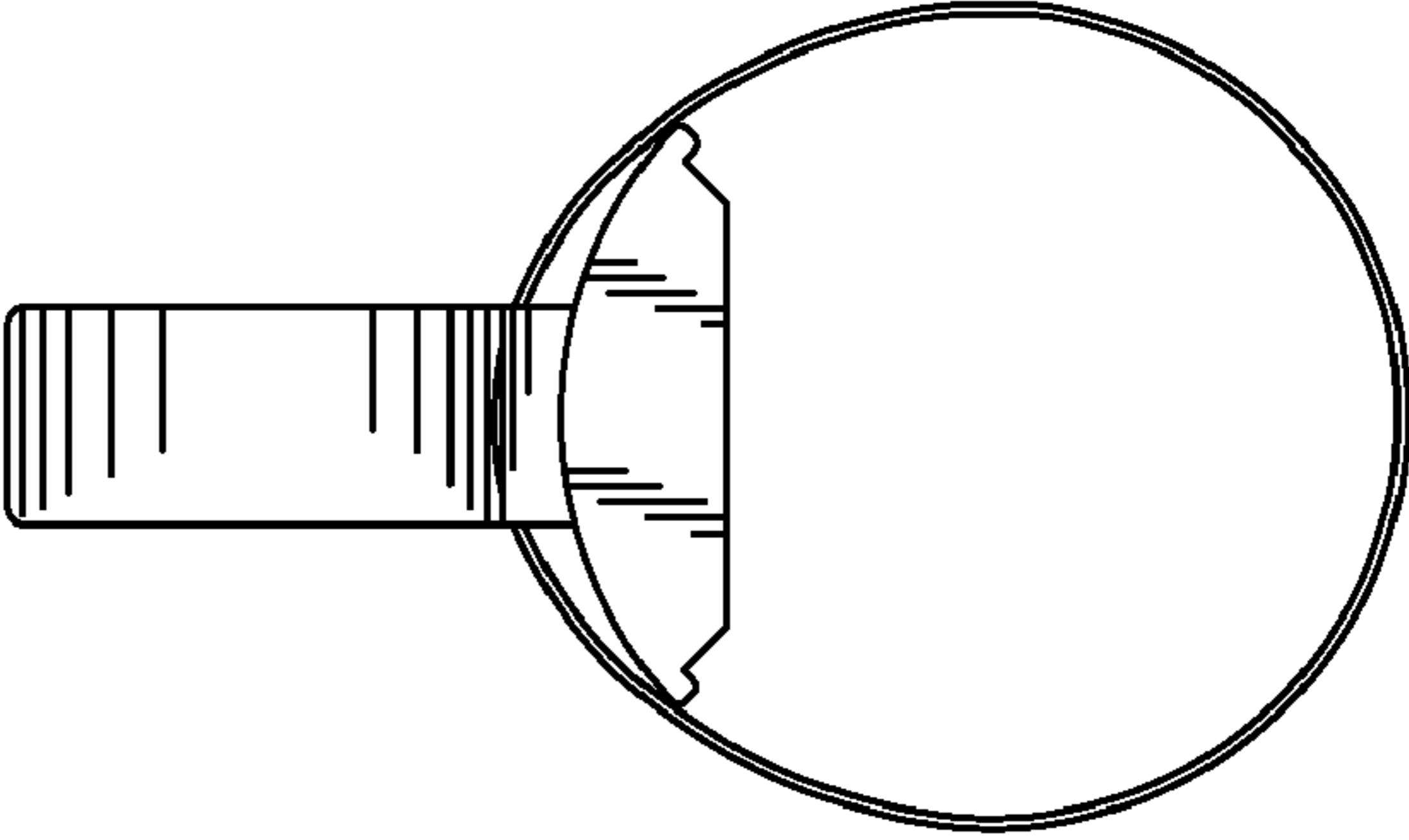


FIG. 6