



US00D615365S

(12) **United States Design Patent**
Johnson

(10) **Patent No.:** **US D615,365 S**

(45) **Date of Patent:** **** May 11, 2010**

(54) **FREE STANDING SELF LEVELING DRINK HOLDER**

(74) *Attorney, Agent, or Firm*—QuickPatents, Inc.; Kevin Prince

(76) Inventor: **Craig R. Johnson**, 715 S. Newmark Dr., Tooele, UT (US) 84074

(57) **CLAIM**

(**) Term: **14 Years**

I claim the ornamental design for a free standing self leveling drink holder, as shown and described.

(21) Appl. No.: **29/339,640**

DESCRIPTION

(22) Filed: **Jul. 2, 2009**

(51) **LOC (9) Cl.** **07-06**

(52) **U.S. Cl.** **D7/621**

(58) **Field of Classification Search** D7/619.1–625, D7/603–608; D6/535; 248/311.2, 309.1, 248/224.61, 291.1; 224/406, 926

FIG. 1 is a perspective view of a free standing self leveling drink holder, illustrated in an expanded configuration, showing my new design;

FIG. 2 is a perspective view thereof, illustrated in a collapsed configuration;

FIG. 3 is a front elevational view thereof, illustrated in the expanded configuration;

See application file for complete search history.

FIG. 4 is a rear elevational view thereof, illustrated in the expanded configuration;

(56) **References Cited**

U.S. PATENT DOCUMENTS

2,926,879	A *	3/1960	Dietrich	248/311.2
D236,175	S *	8/1975	Wintz	D6/535
D253,629	S *	12/1979	Sage	D7/621
D256,649	S *	9/1980	Zerowin	D7/621
D296,268	S *	6/1988	Bozarth	D7/621
5,014,956	A *	5/1991	Kayali	248/311.2
5,318,266	A *	6/1994	Liu	248/311.2
5,423,508	A *	6/1995	Isenga et al.	248/311.2

FIG. 5 is a left-side elevational view thereof, illustrated in the expanded configuration, the right-side elevational view being a mirror image thereof;

FIG. 6 is a top plan view thereof, illustrated in the expanded configuration; and,

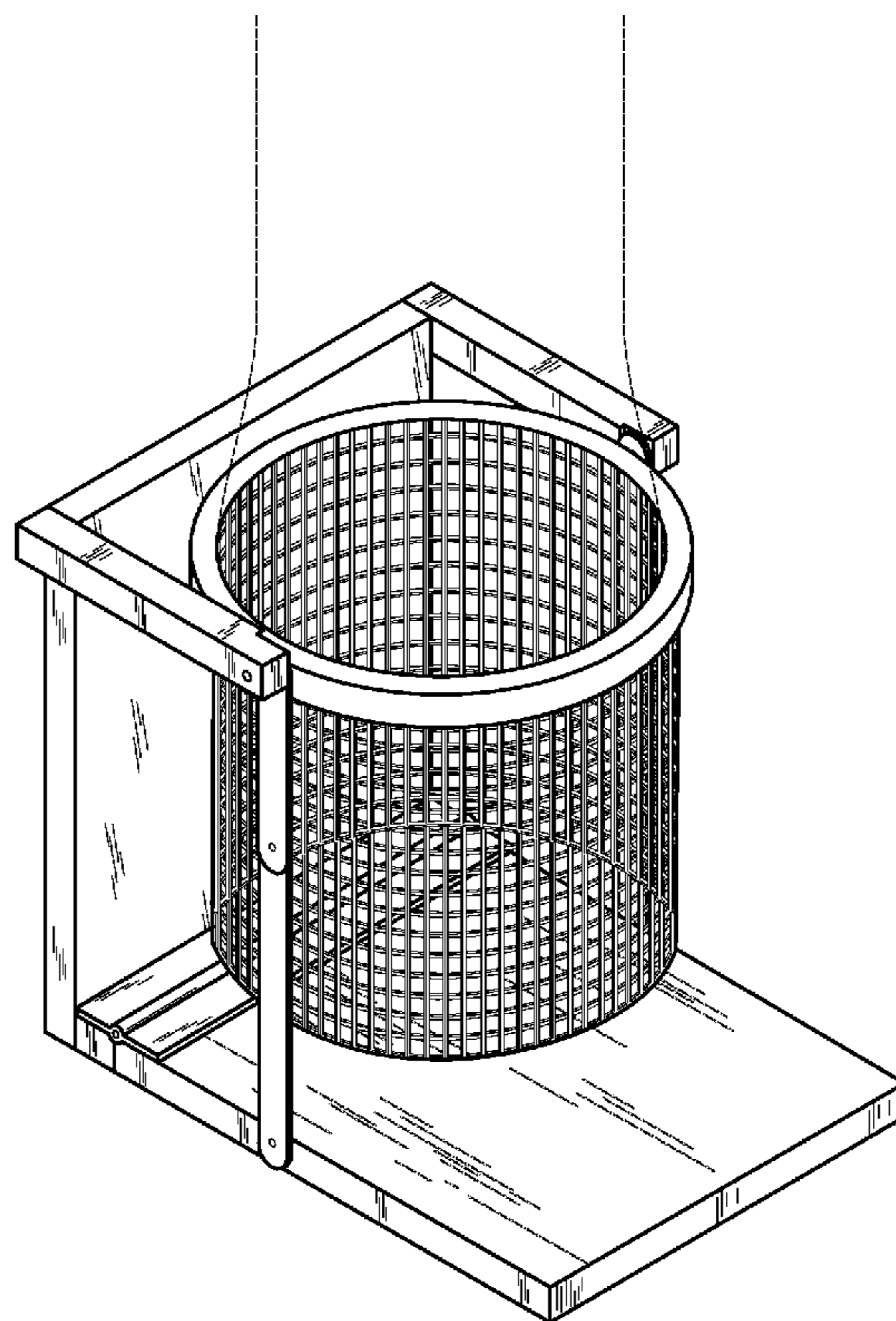
FIG. 7 is a bottom plan view thereof, illustrated in the expanded configuration.

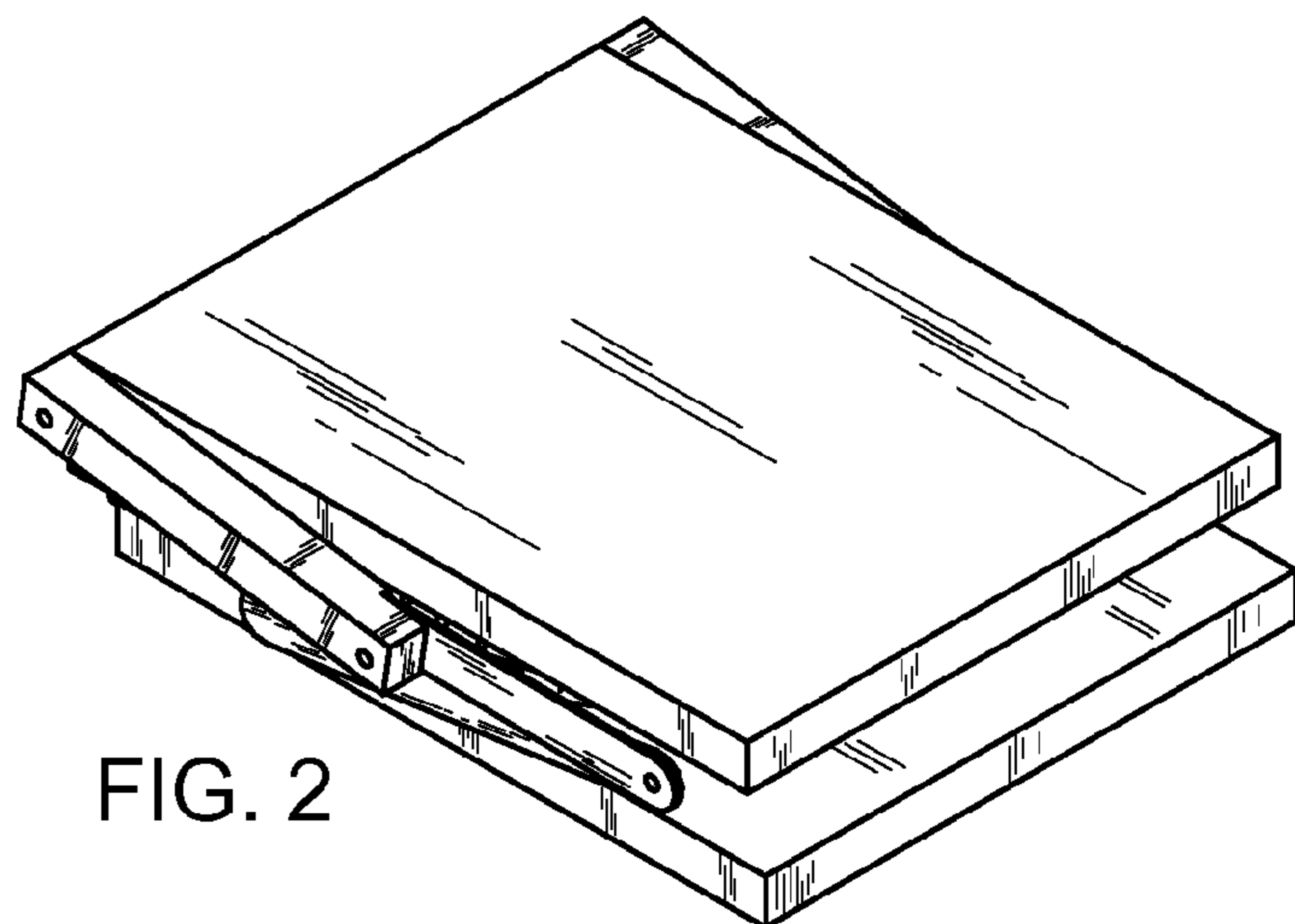
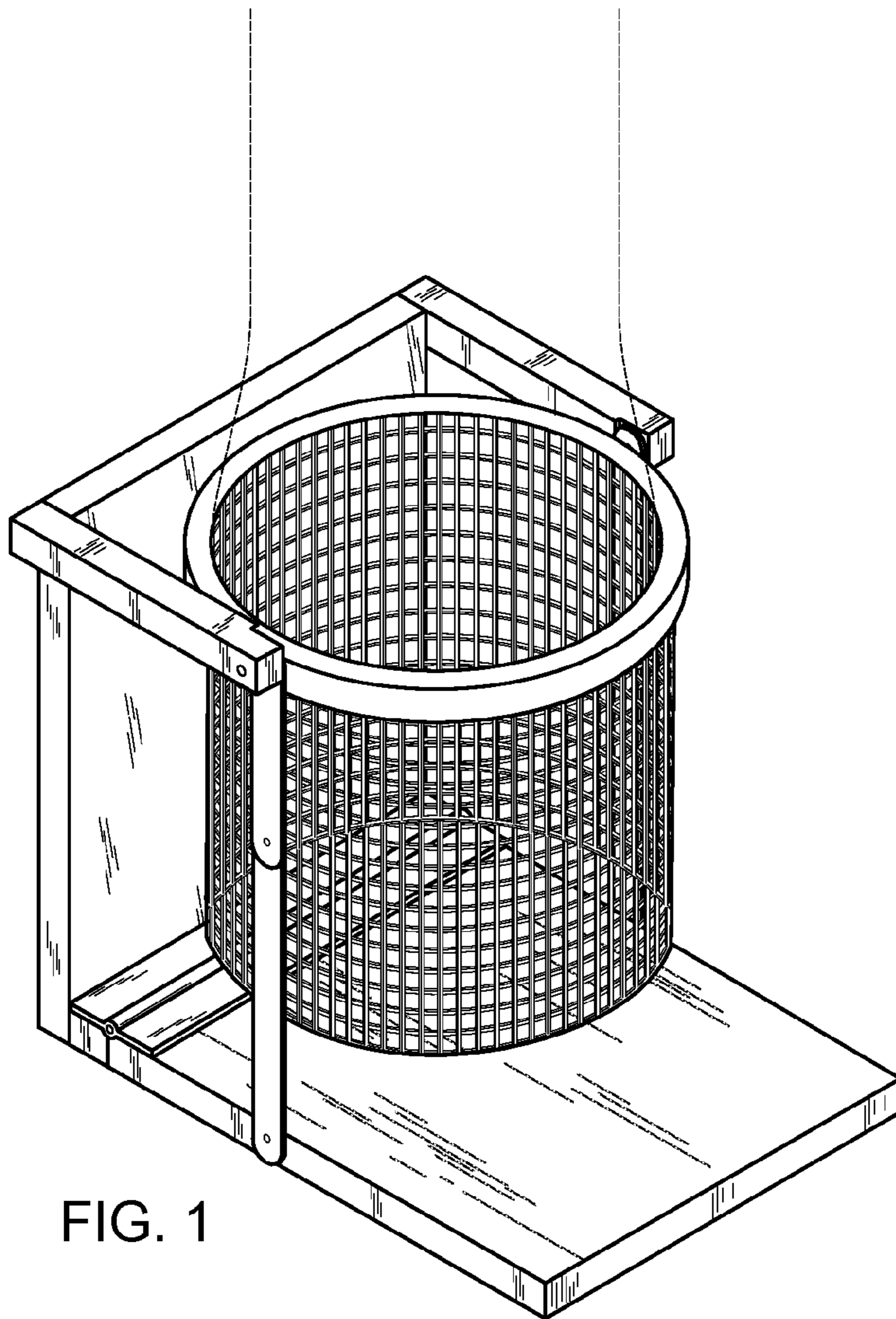
The broken lines showing a portion of a bottle in FIG. 1 are included for the purpose of illustrating the invention in use, and form no part of the claimed design.

* cited by examiner

Primary Examiner—Terry A Wallace

1 Claim, 4 Drawing Sheets





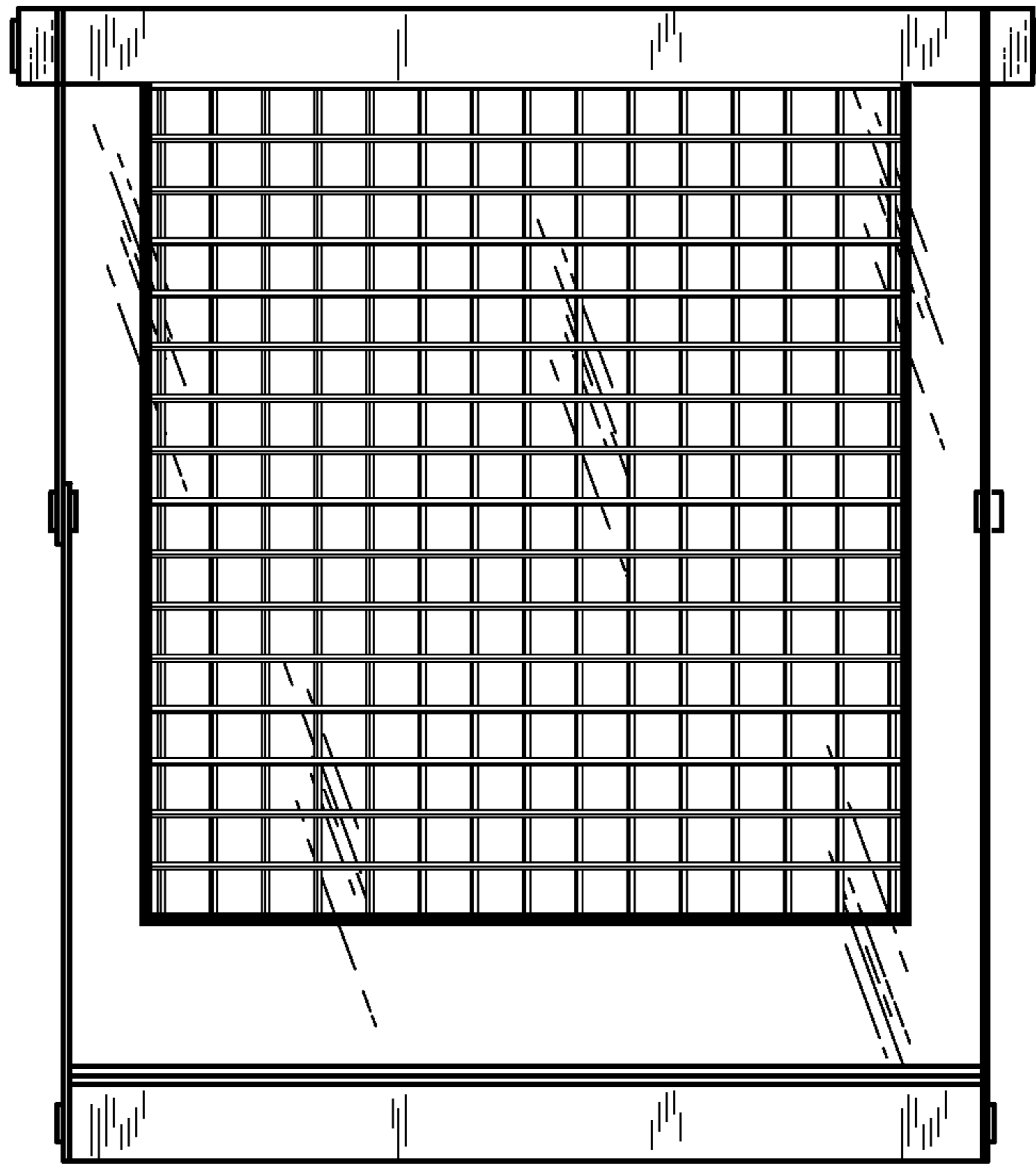


FIG. 3

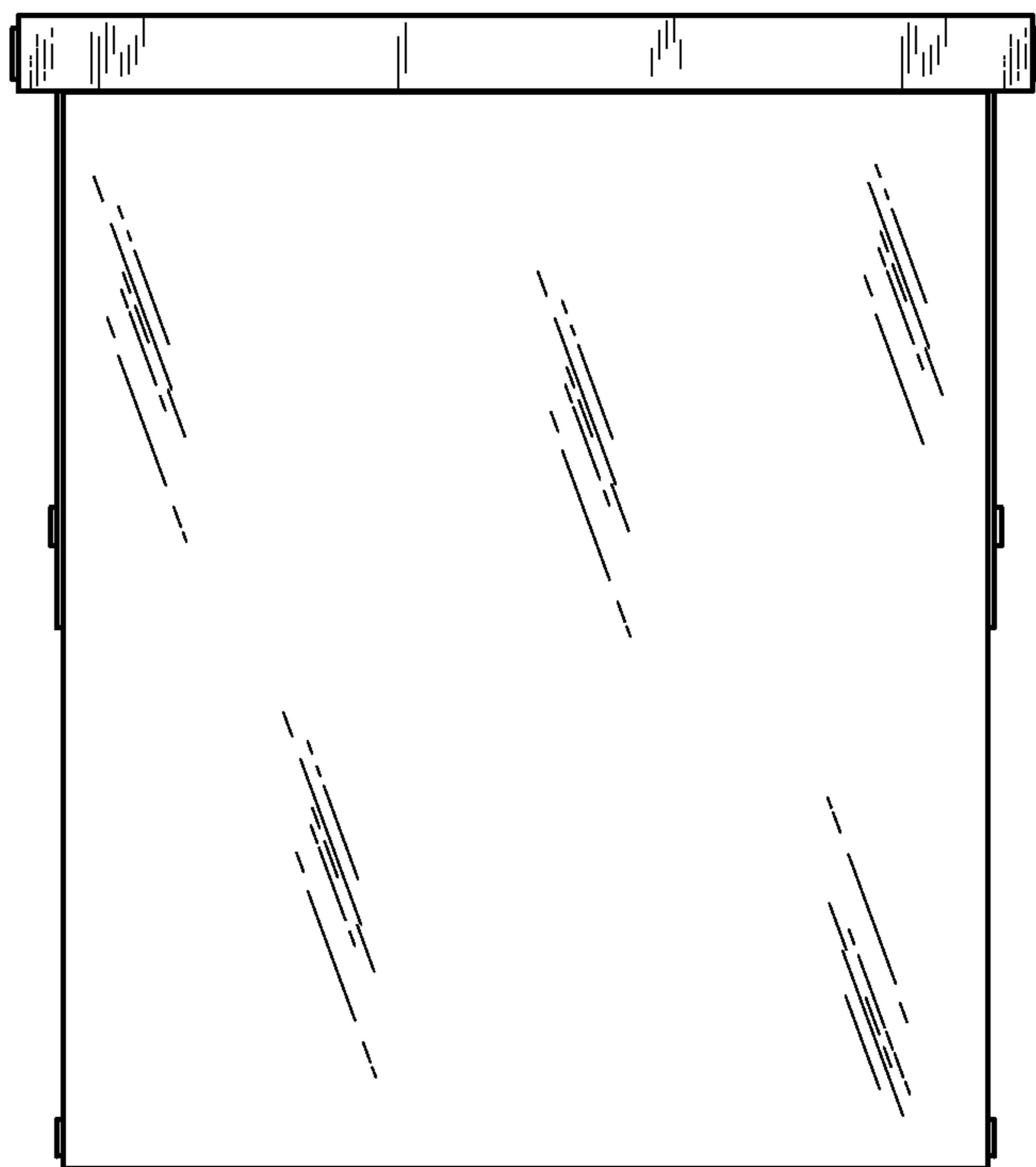


FIG. 4

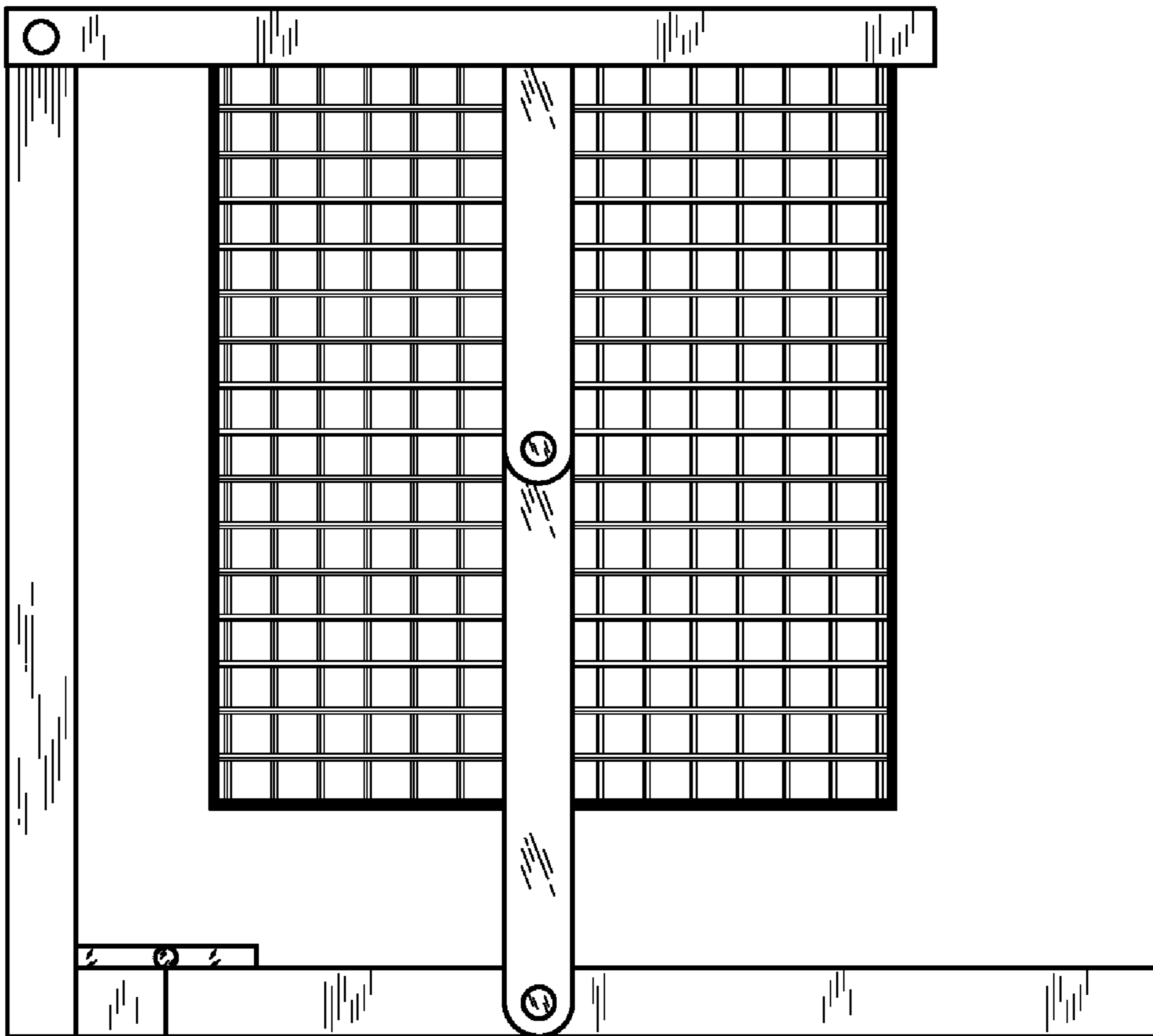


FIG. 5

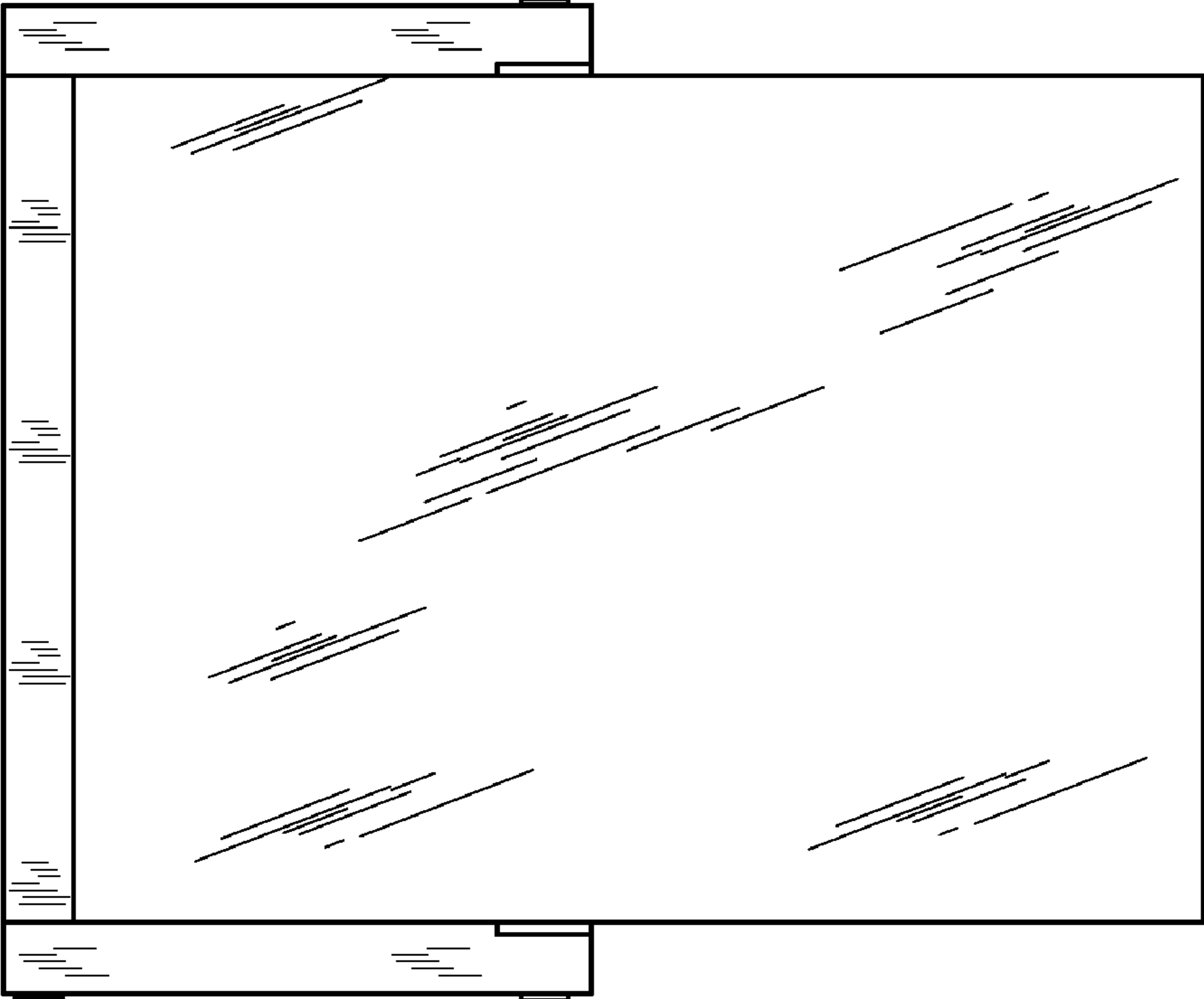


FIG. 7

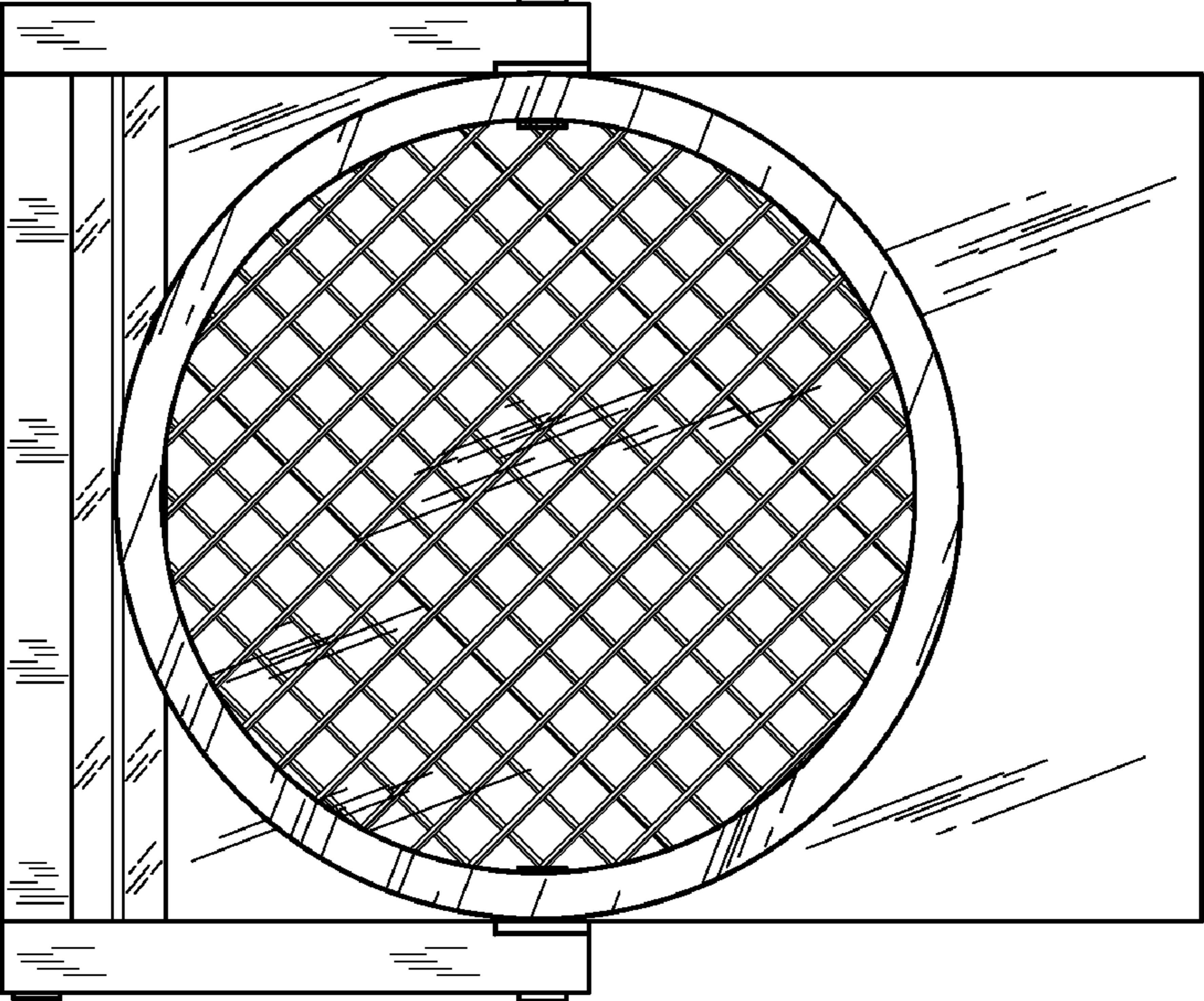


FIG. 6