



US00D615358S

(12) **United States Design Patent**
Wahl

(10) **Patent No.:** **US D615,358 S**

(45) **Date of Patent:** **** May 11, 2010**

(54) **BEVERAGE CONTAINER**

(75) Inventor: **Andrew C. F. Wahl**, Seattle, WA (US)

(73) Assignee: **Pacific Market International, LLC**,
Seattle, WA (US)

(**) Term: **14 Years**

(21) Appl. No.: **29/327,973**

(22) Filed: **Nov. 17, 2008**

(51) **LOC (9) Cl.** **07-01**

(52) **U.S. Cl.** **D7/510; D7/511; D7/533**

(58) **Field of Classification Search** D7/509-536,
D7/393, 396.2, 394, 395; 220/715, 592.16,
220/298; 215/315

See application file for complete search history.

(56) **References Cited**

U.S. PATENT DOCUMENTS

D325,848 S *	5/1992	Embree	D7/510
D332,894 S *	2/1993	Green	D7/511
D370,384 S *	6/1996	Shamis	D7/393
D533,402 S *	12/2006	Bin	D7/510
D542,205 S *	5/2007	Echazabal	D12/209
D562,076 S *	2/2008	Sandberg	D7/533
D564,841 S *	3/2008	Clemens et al.	D7/510
D571,152 S *	6/2008	Tien	D7/510
D571,154 S *	6/2008	Pearson	D7/533
D571,613 S *	6/2008	Gilbert et al.	D7/533
D573,839 S *	7/2008	Sun	D7/510
D577,548 S *	9/2008	Homma	D7/536
D579,273 S *	10/2008	Tong Chi Chung	D7/511
D580,226 S *	11/2008	Homma	D7/510
D580,708 S *	11/2008	George	D7/510
D584,107 S *	1/2009	George	D7/510
D587,967 S *	3/2009	Wahl	D7/510
D589,751 S *	4/2009	Liu et al.	D7/510

D602,308 S *	10/2009	Alviar et al.	D7/510
D604,103 S *	11/2009	Alviar et al.	D7/533
D604,990 S *	12/2009	Watkins et al.	D7/510

* cited by examiner

Primary Examiner—Marianne Pandozzi

(74) *Attorney, Agent, or Firm*—Davis Wright Tremaine LLP;
George C. Rondeau, Jr.

(57) **CLAIM**

The ornamental design for a beverage container, as shown and described.

DESCRIPTION

FIG. 1 is a top right side perspective view of a beverage container showing my new design.

FIG. 2 is a right side elevational view thereof.

FIG. 3 is a left side elevational view thereof.

FIG. 4 is a rear elevational view thereof.

FIG. 5 is a front elevational view thereof.

FIG. 6 is a top plan view thereof.

FIG. 7 is a bottom plan view thereof.

FIG. 8 is a top right side perspective view of a second embodiment thereof.

FIG. 9 is a right side elevational view thereof.

FIG. 10 is a left side elevational view thereof.

FIG. 11 is a rear elevational view thereof.

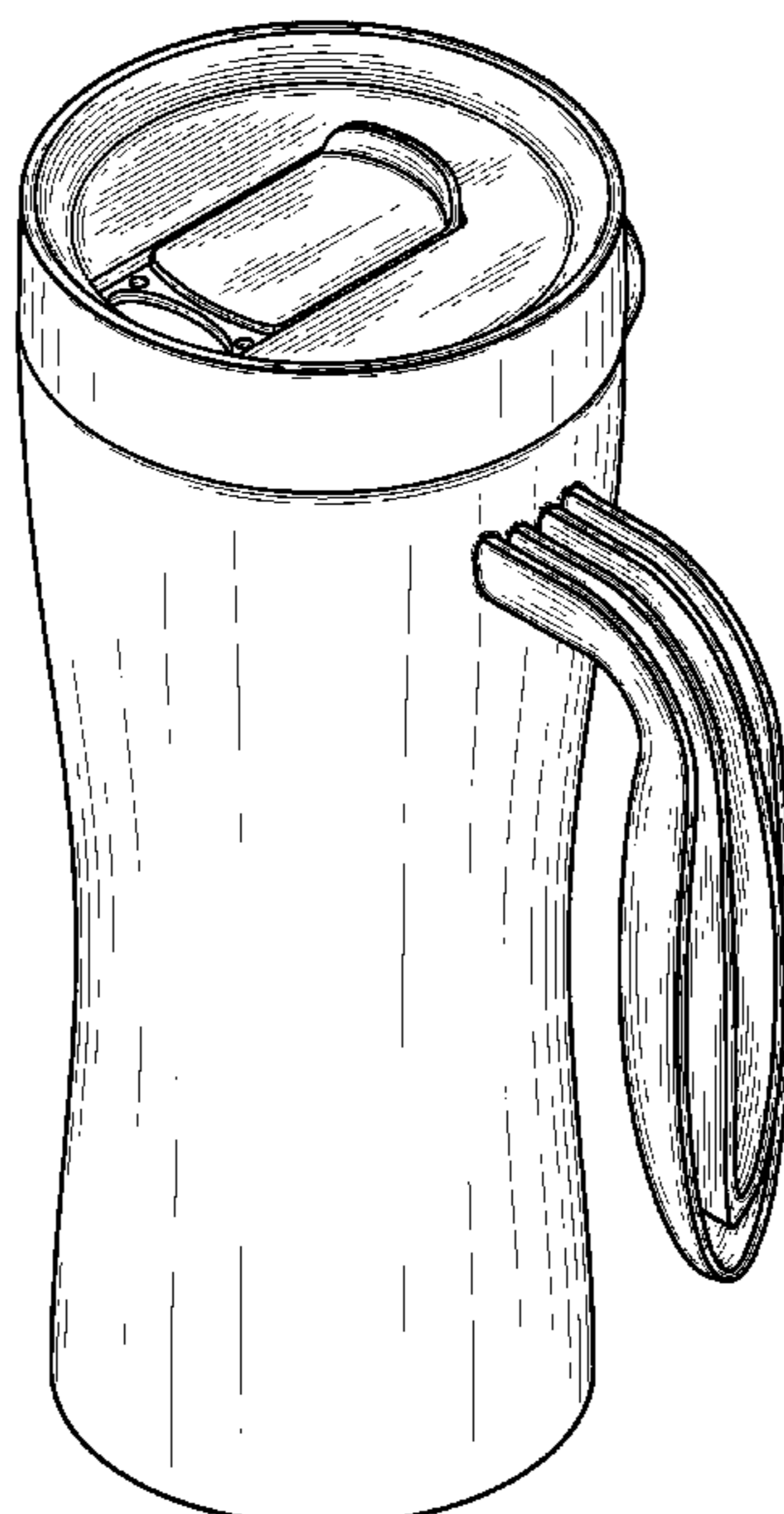
FIG. 12 is a front elevational view thereof.

FIG. 13 is a top plan view thereof; and,

FIG. 14 is a bottom plan view thereof.

The broken lines are for illustrative purposes only and form no part of the claimed design.

1 Claim, 12 Drawing Sheets



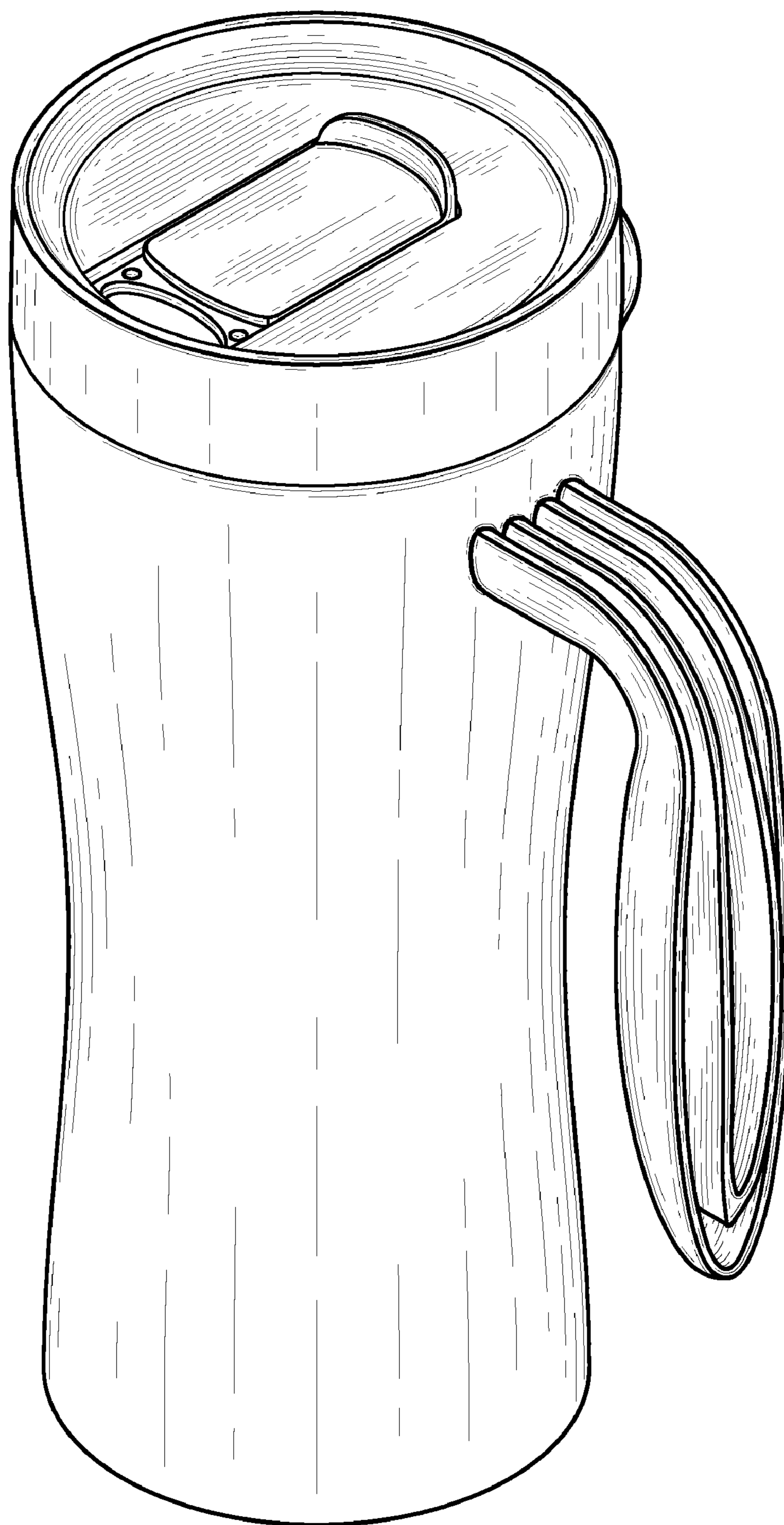


Fig. 1

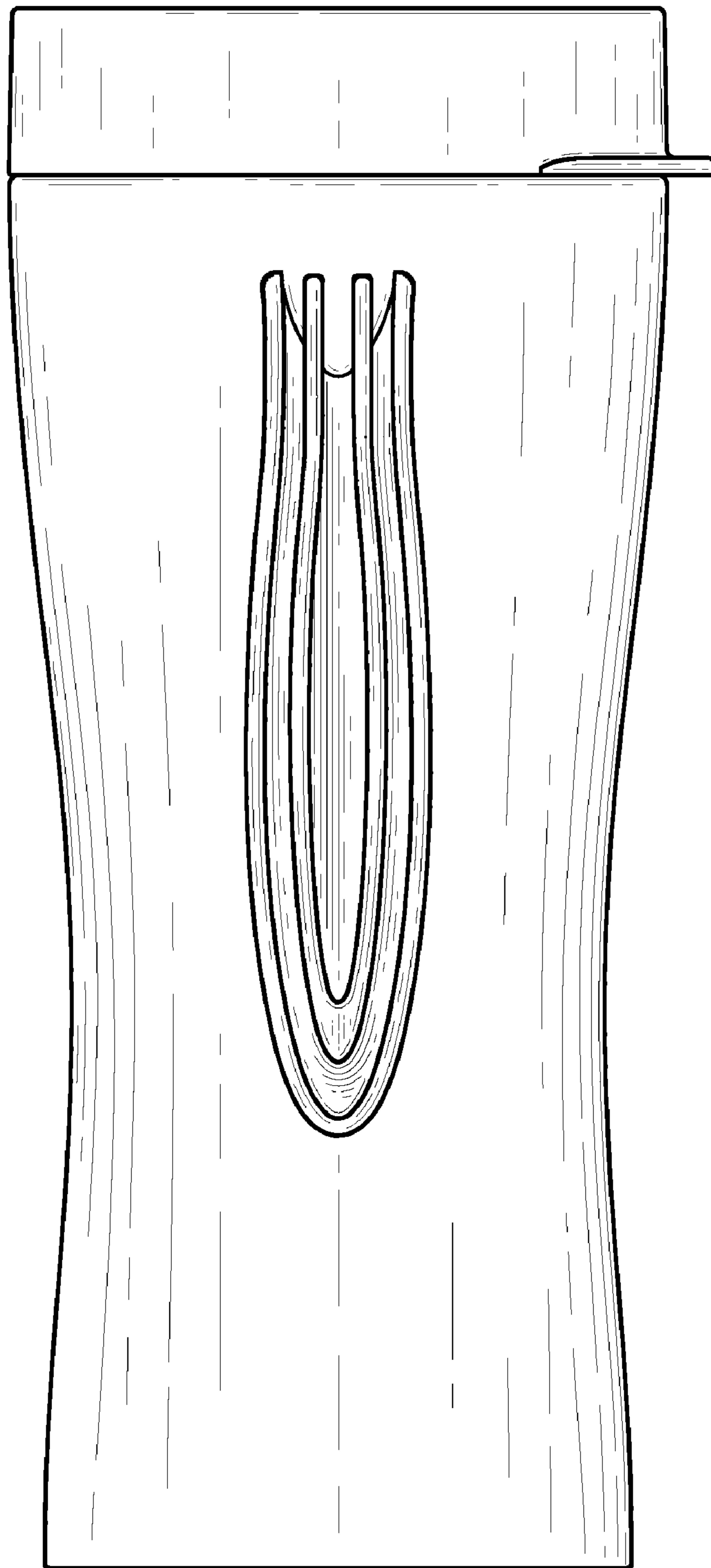


Fig. 2

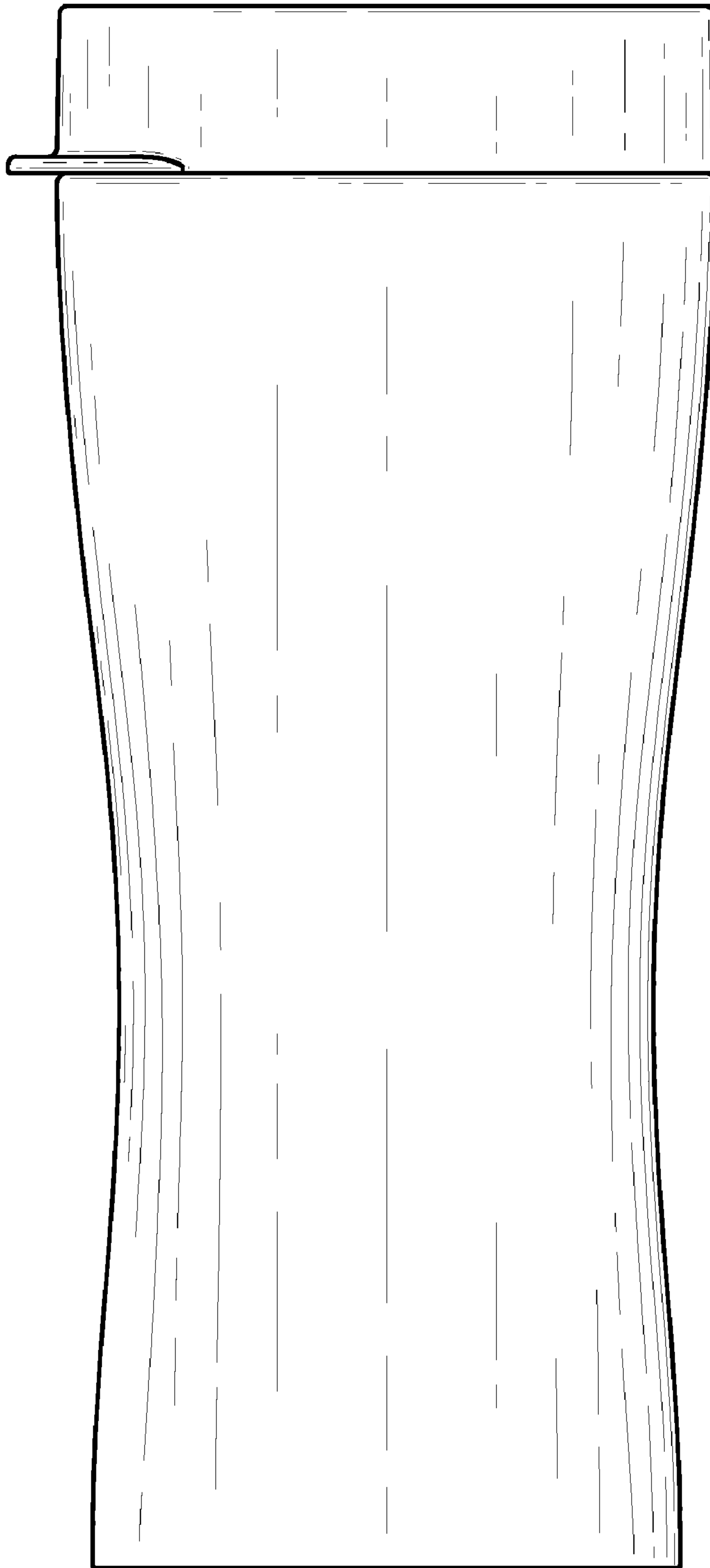


Fig. 3

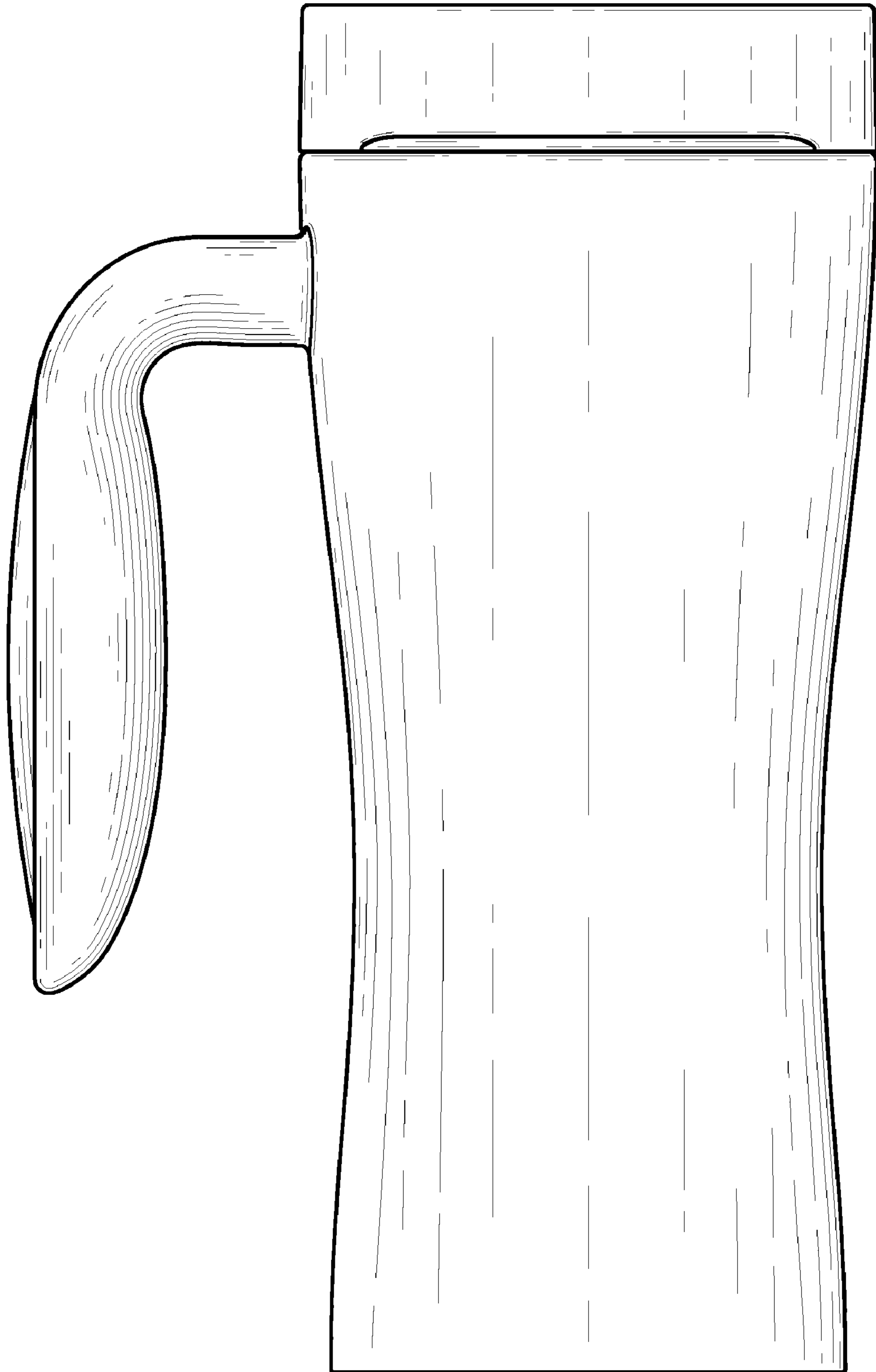


Fig. 4

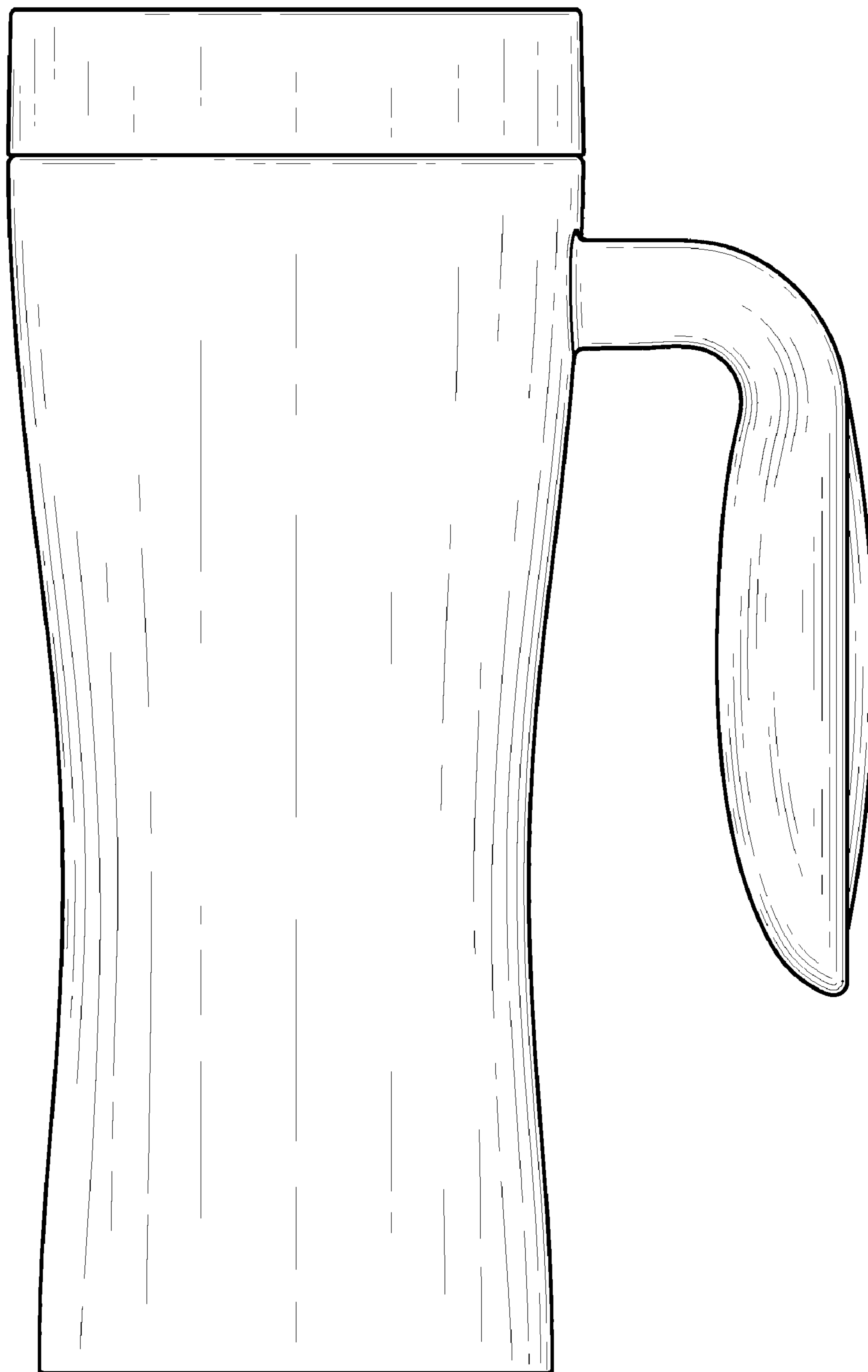


Fig. 5

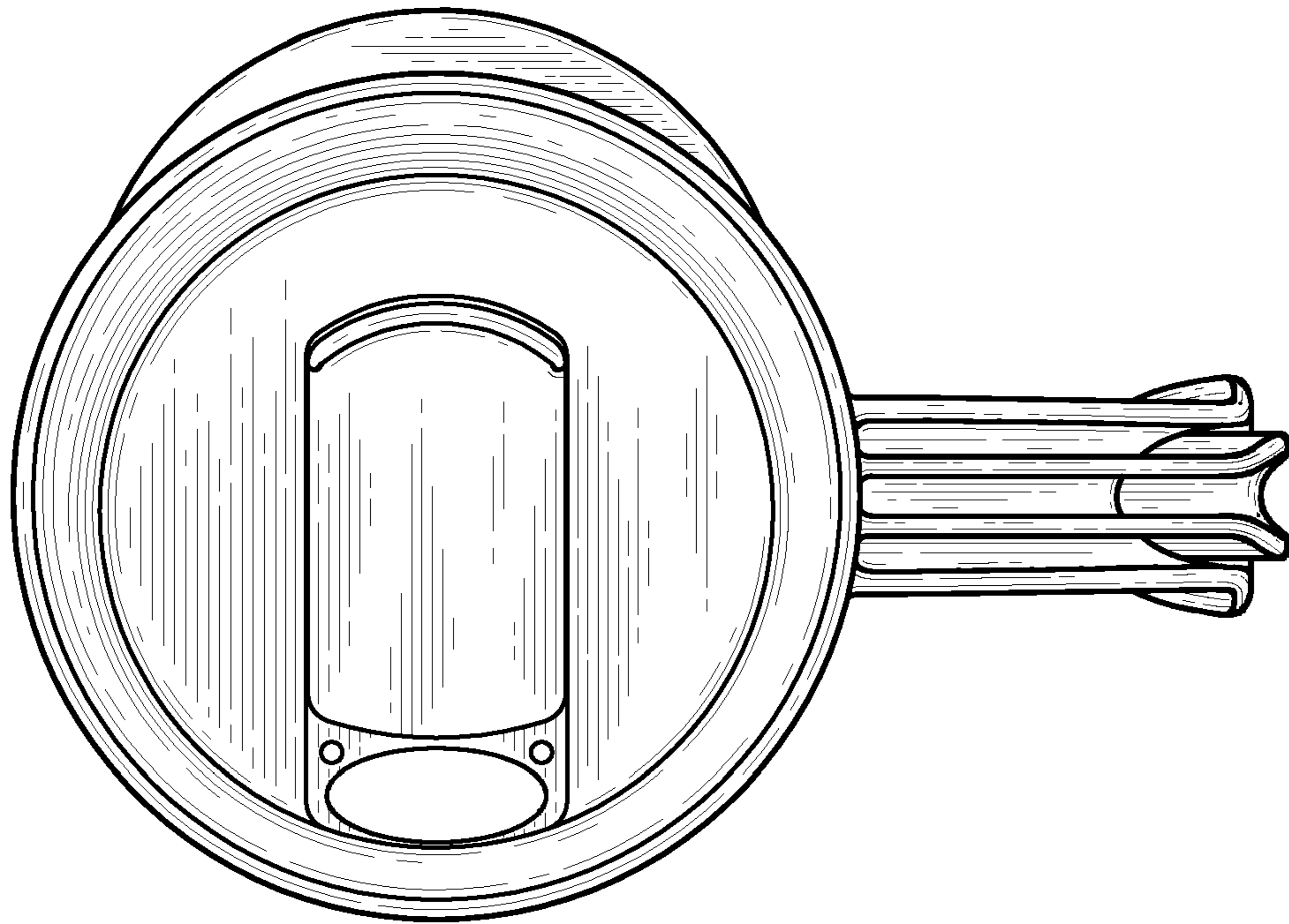


Fig. 6

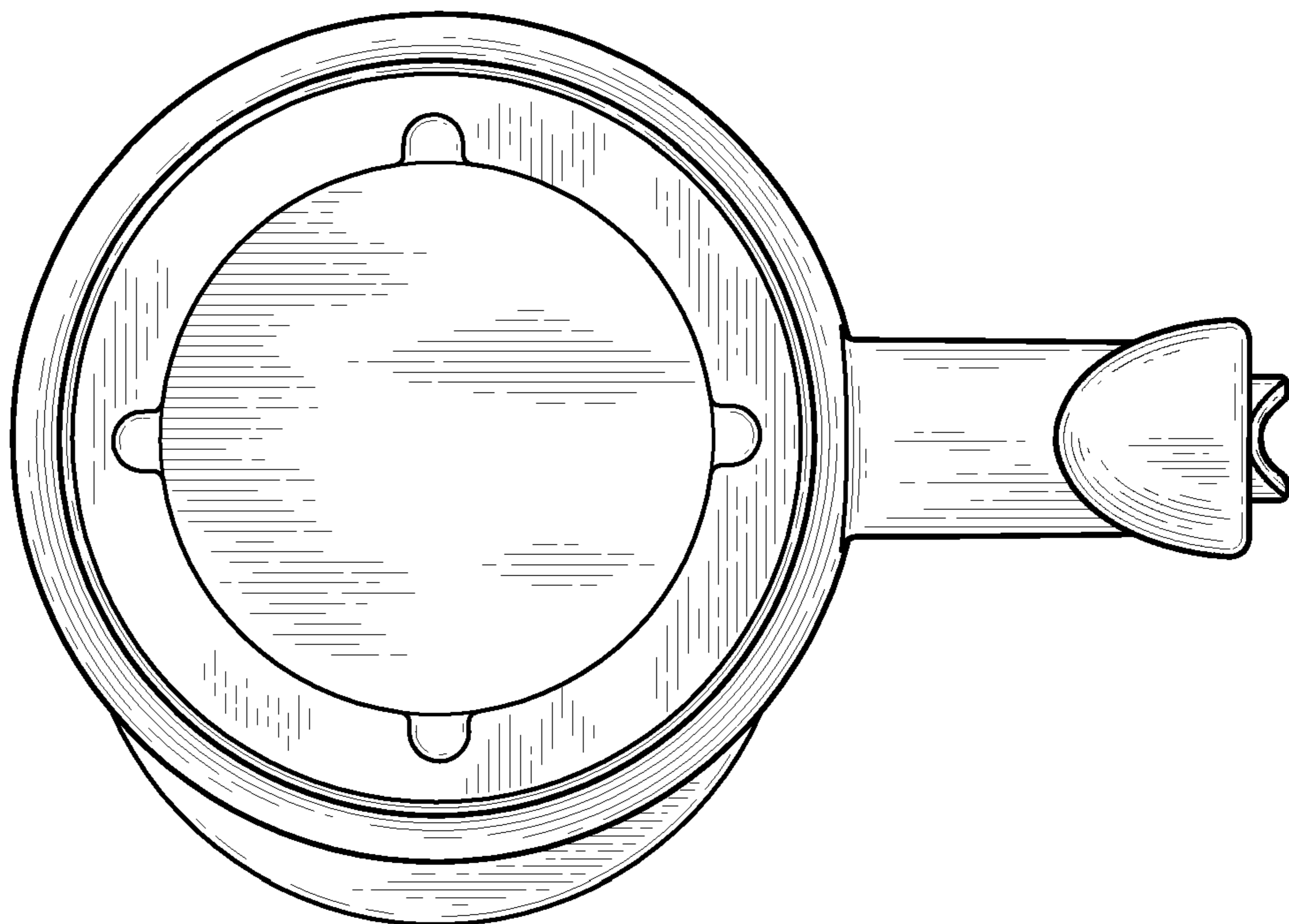


Fig. 7

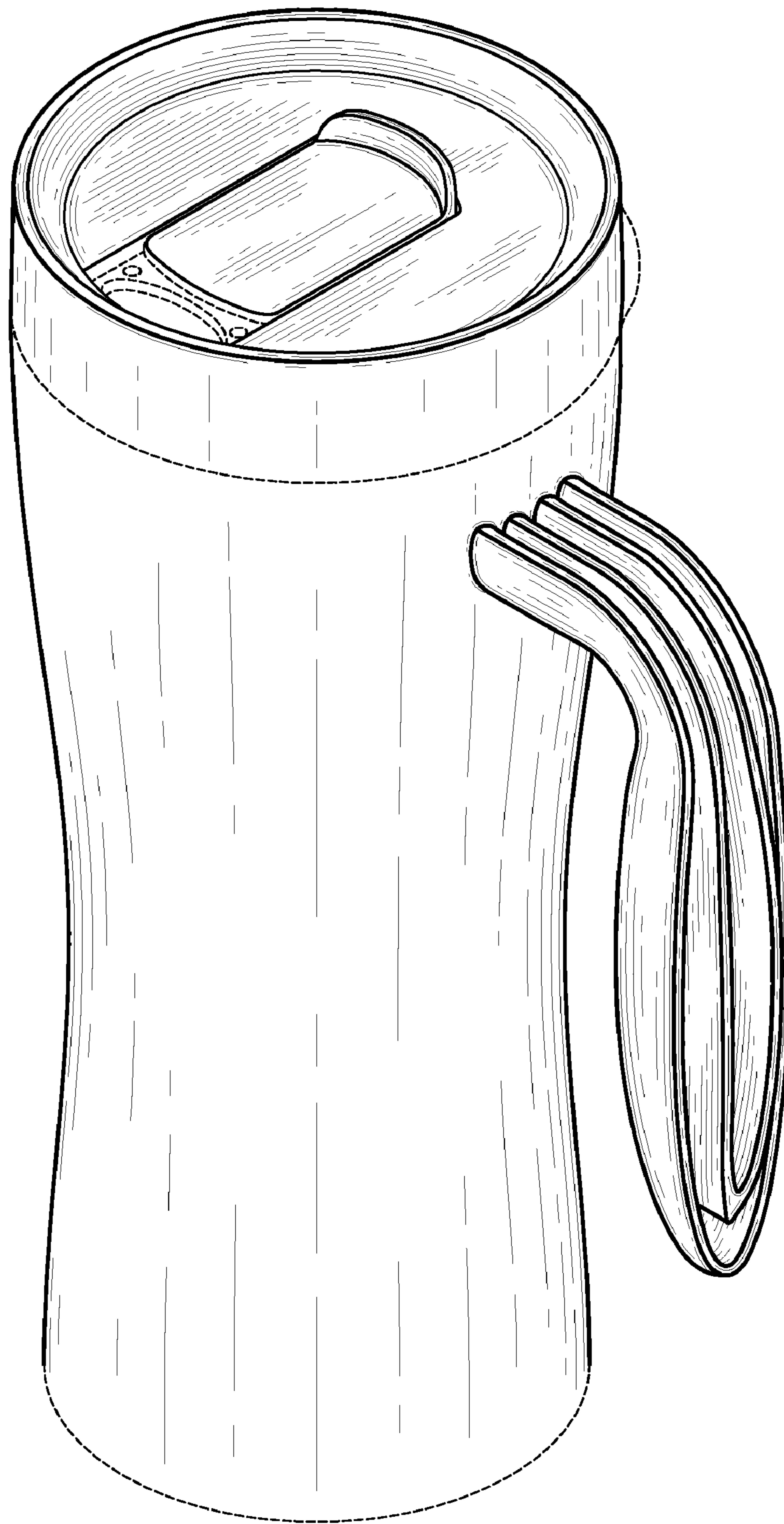


Fig. 8

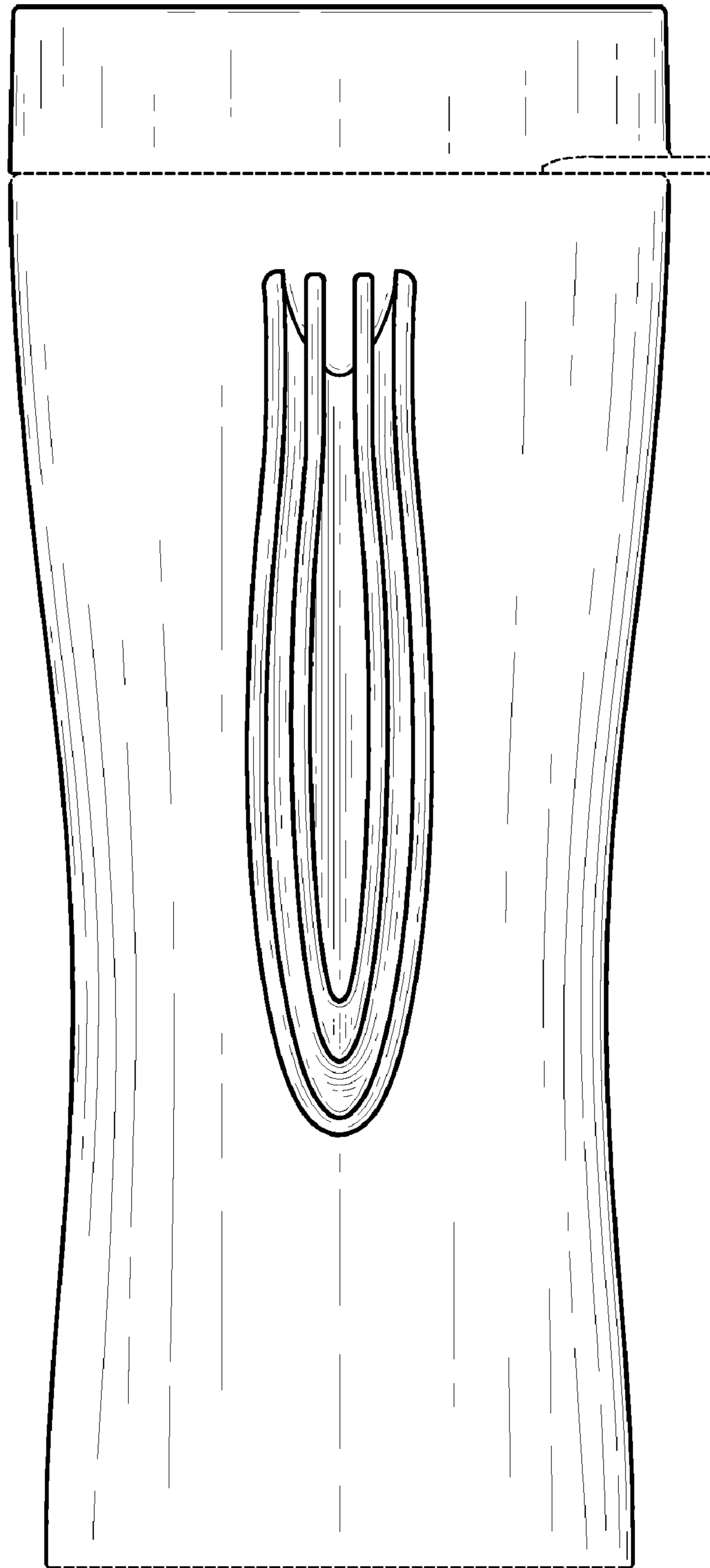


Fig. 9

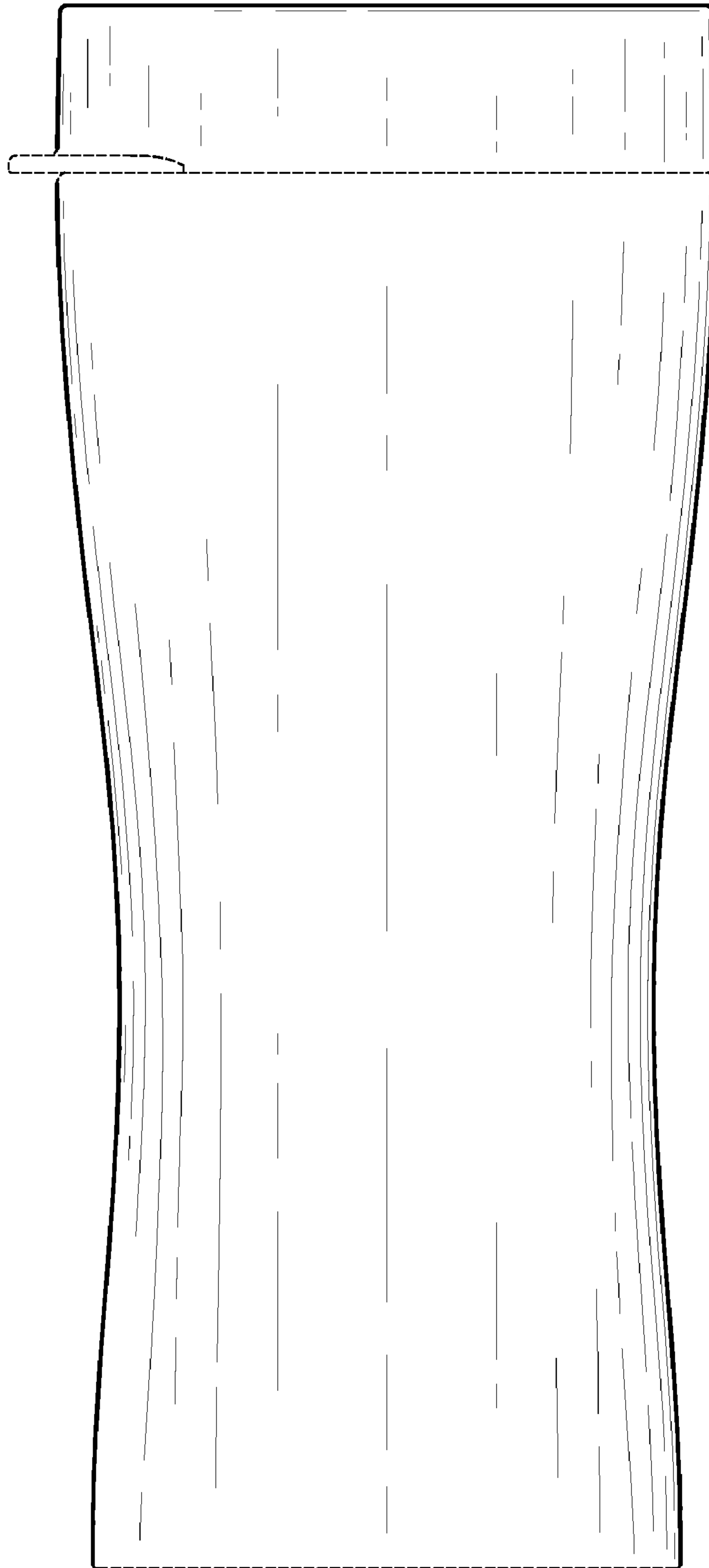


Fig. 10

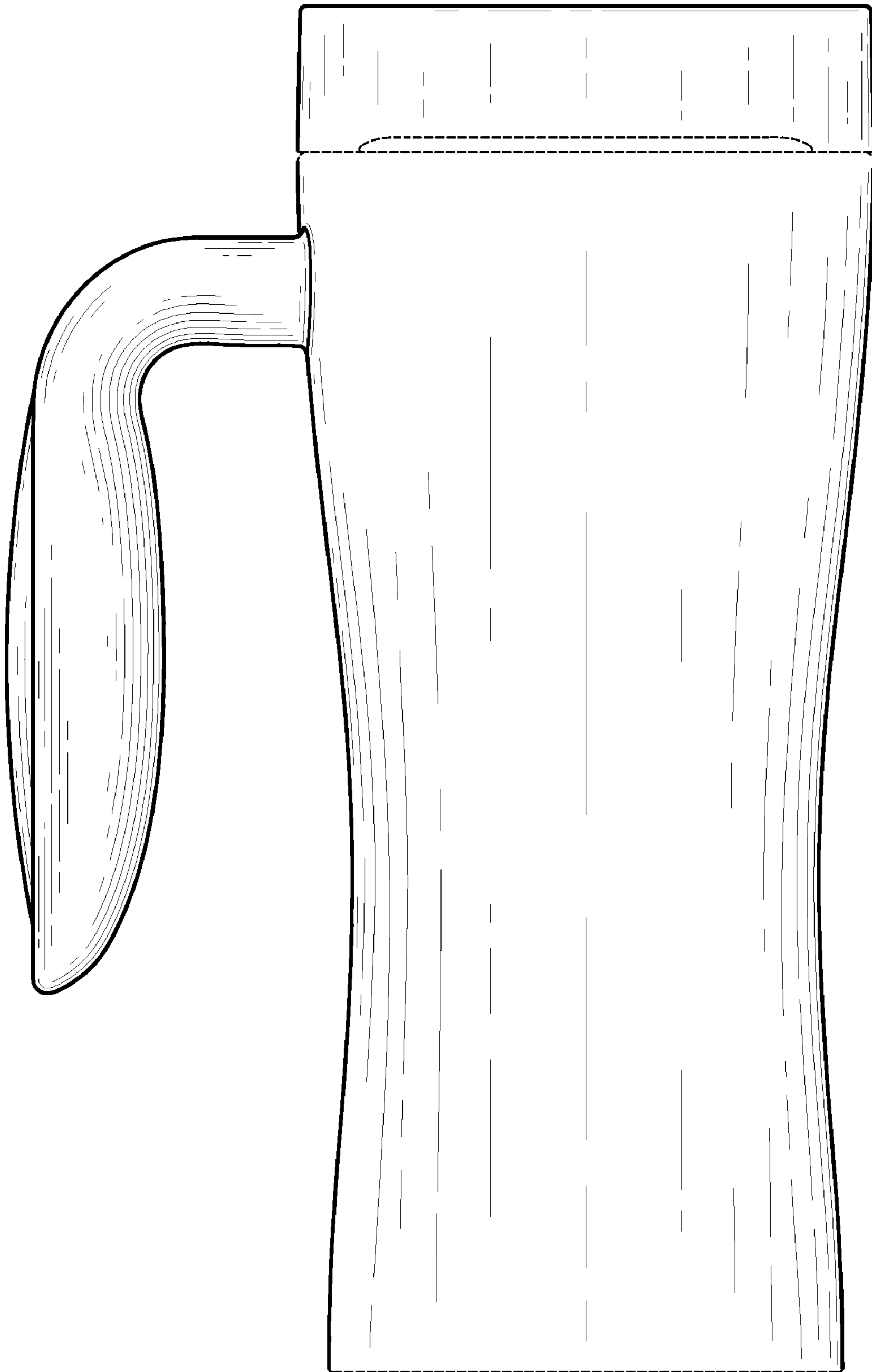


Fig. 11

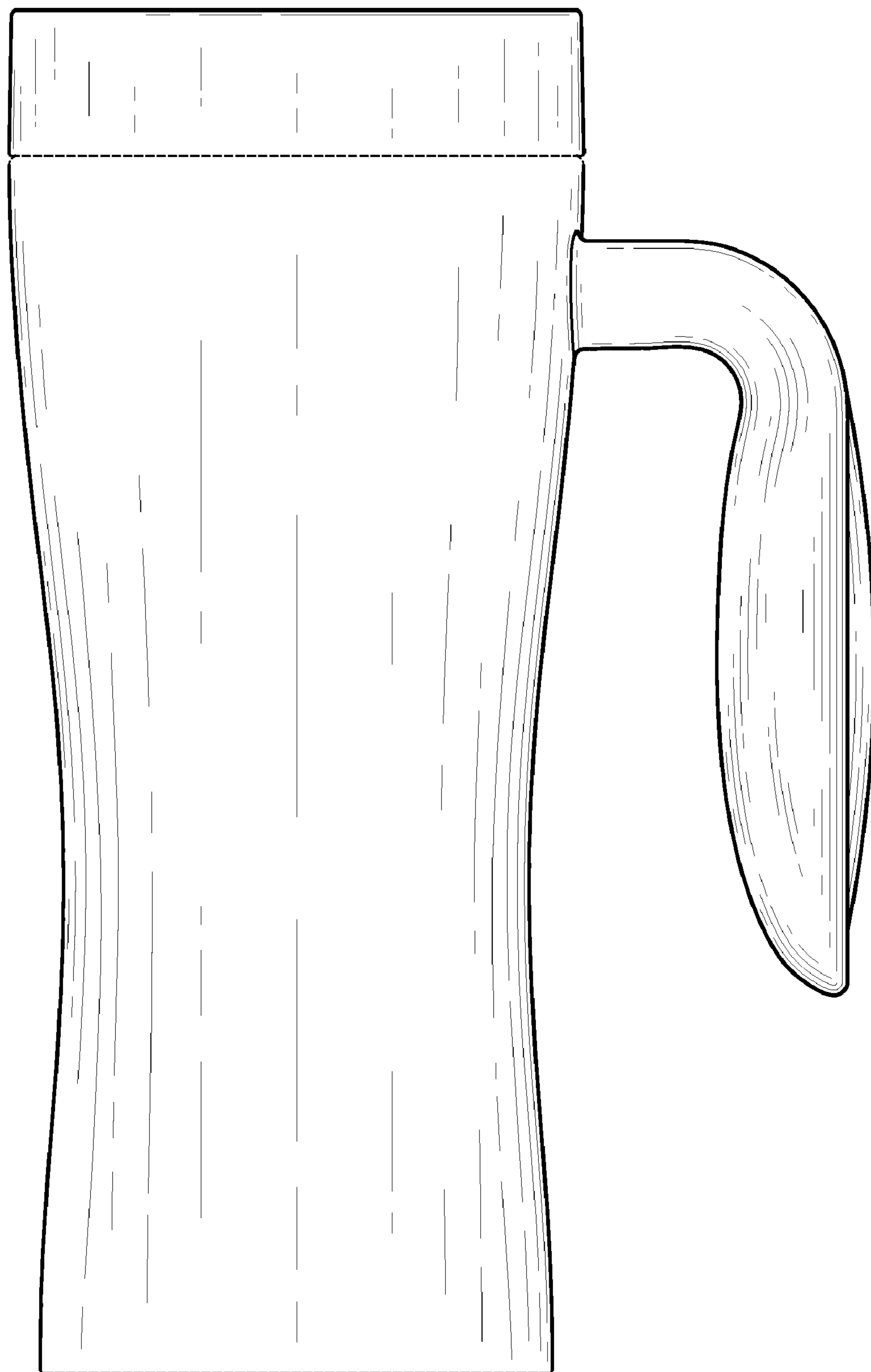


Fig. 12

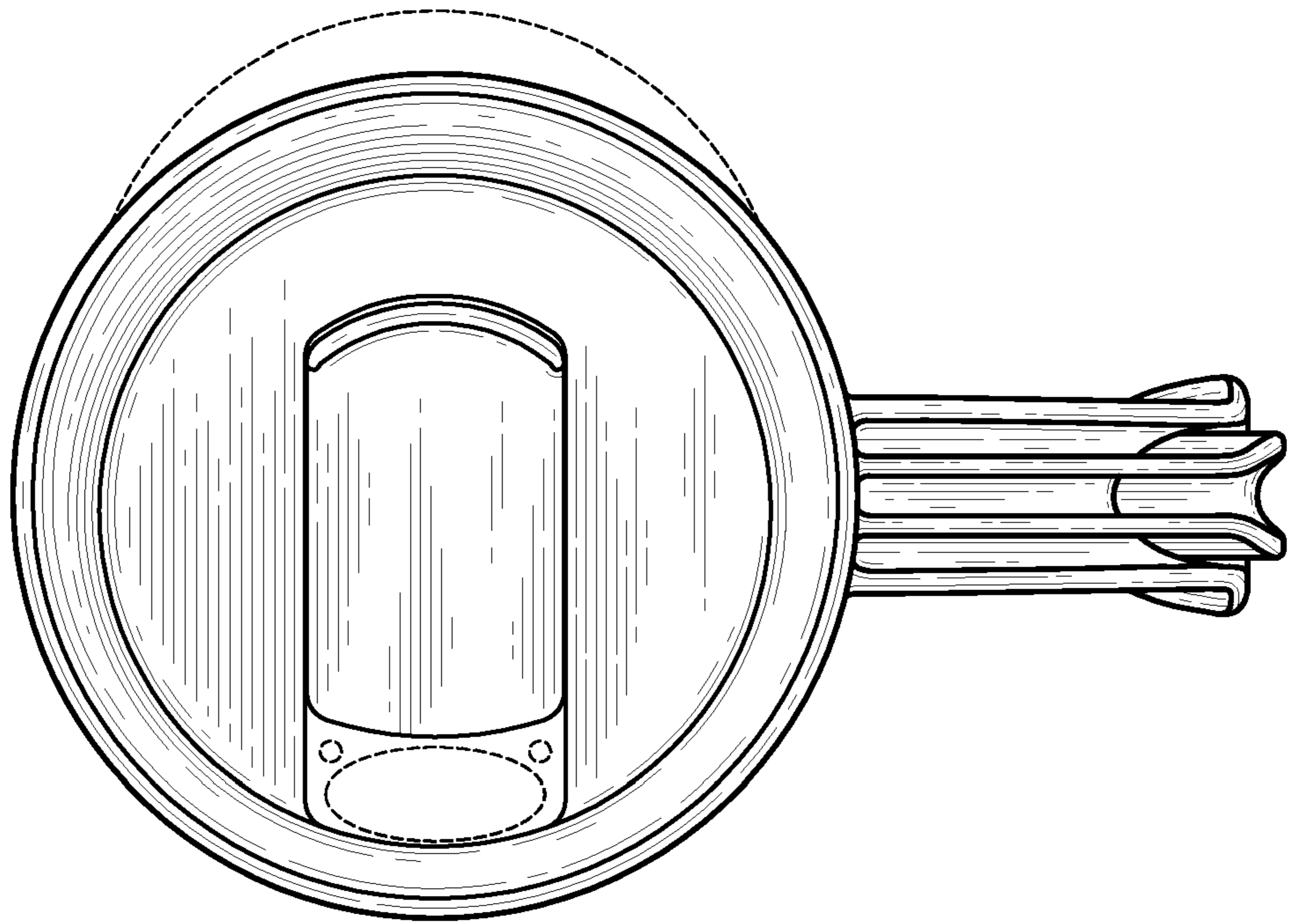


Fig. 13

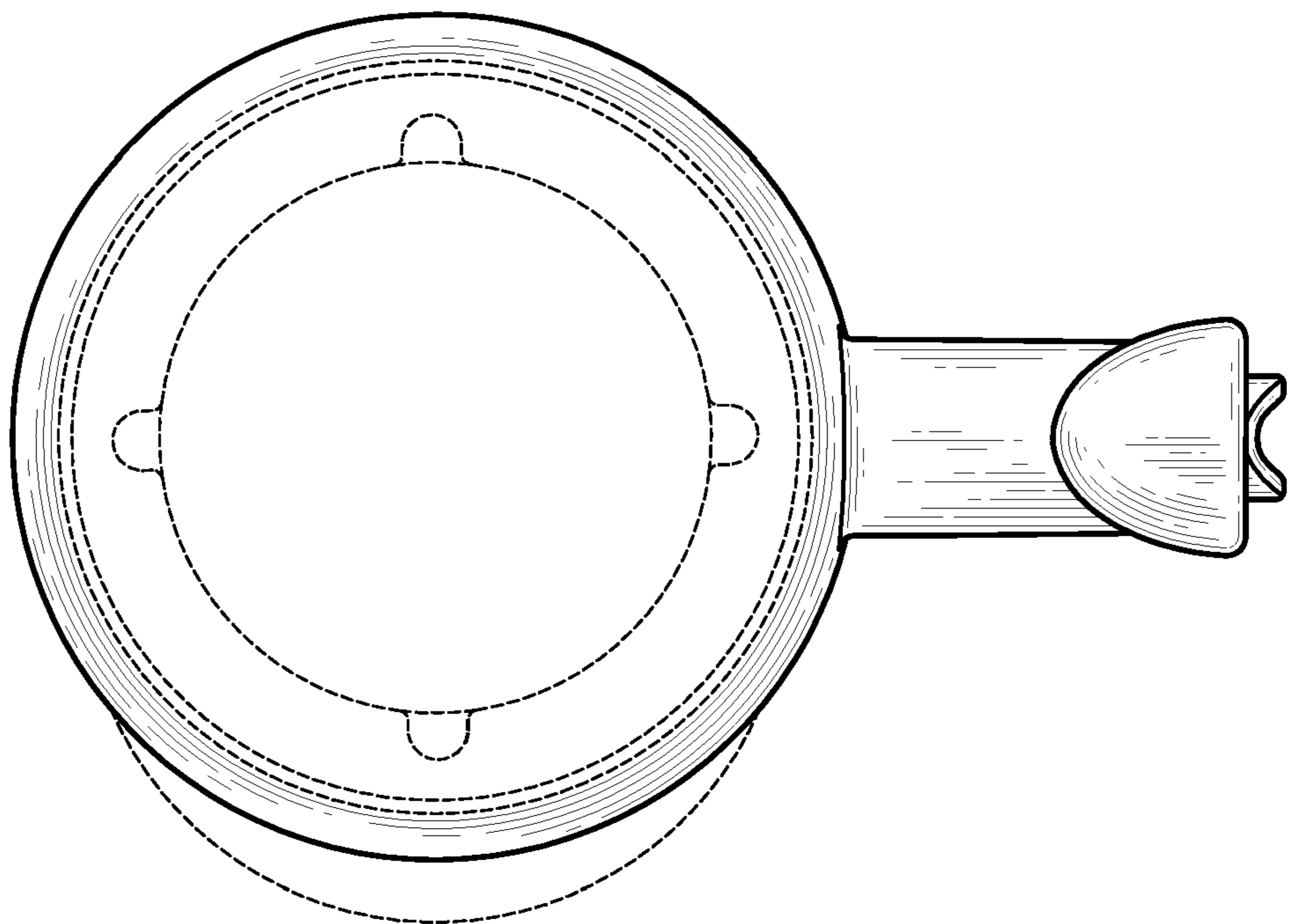


Fig. 14