



US00D615355S

(12) **United States Design Patent**
Viahos

(10) **Patent No.:** **US D615,355 S**

(45) **Date of Patent:** **** May 11, 2010**

(54) **APPARATUS FOR STEAMING ARTICHOKE
OR SIMILAR VEGETABLES**

(76) **Inventor:** **Stephanie Viahos**, 3517 Winway, San
Mateo, CA (US) 94403

(**) **Term:** **14 Years**

(21) **Appl. No.:** **29/345,662**

(22) **Filed:** **Oct. 20, 2009**

(51) **LOC (9) Cl.** **07-02**

(52) **U.S. Cl.** **D7/409**

(58) **Field of Classification Search** D7/323,
D7/354-364, 393-395, 402, 409-500, 538-548,
D7/584-588, 601, 704, 706; D19/77; 99/339,
99/403, 417-418, 422, 425-426, 440; 108/183;
211/74, 85.31, 133.5; 220/4.28, 6, 8, 377,
220/485, 486, 489, 573.1-573.3, 752-753,
220/755-759, 769, 912; 248/175, 176.1;
422/310

See application file for complete search history.

(56) **References Cited**

U.S. PATENT DOCUMENTS

681,936	A *	9/1901	Soady	99/440
896,708	A *	8/1908	Bruce	99/417
909,715	A *	1/1909	Troegeler	220/8
1,091,907	A *	3/1914	Benners	220/4.28
1,530,175	A *	3/1925	Hatch, Jr.	220/6
1,865,533	A *	7/1932	Lutzke	220/485
1,956,678	A *	5/1934	Hanson	108/183
2,552,983	A *	5/1951	Lee	422/310
2,732,096	A *	1/1956	Siciliano	220/769

3,347,404	A *	10/1967	McIntyre	220/486
D258,631	S *	3/1981	Lax	D7/542
D288,053	S *	2/1987	Maza et al.	D7/704
4,836,392	A *	6/1989	Constantino	211/133.5
5,195,424	A *	3/1993	Guajaca	99/418
D339,266	S *	9/1993	Lockett	D7/409
6,588,620	B1 *	7/2003	Thuma et al.	220/489
D588,199	S *	3/2009	Eisenbaum	D19/77
D599,167	S *	9/2009	Tiemann	D7/409

* cited by examiner

Primary Examiner—Caron Veynar

Assistant Examiner—Ricky Pham

(74) *Attorney, Agent, or Firm*—Buchanan Ingersoll &
Rooney, P.C.

(57) **CLAIM**

The ornamental design for an apparatus for steaming arti-
chokes or similar vegetables, as shown and described.

DESCRIPTION

FIG. 1 is a perspective view of an apparatus for steaming
artichokes or similar vegetables.

FIG. 2 is a side view of the apparatus of FIG. 1.

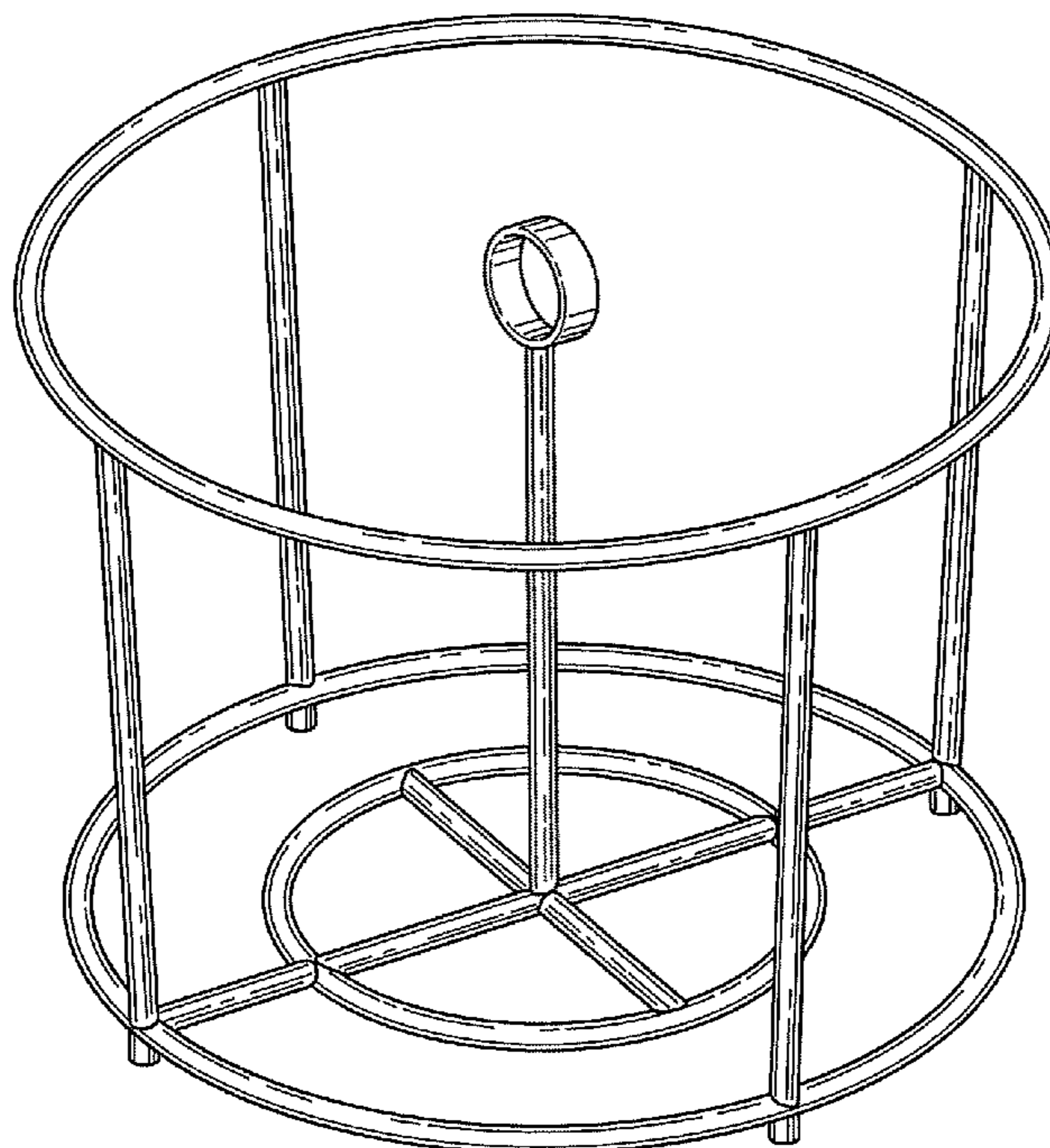
FIG. 3 is another side view of the apparatus of FIG. 1.

FIG. 4 is a top view of the apparatus of FIG. 1; and,

FIG. 5 is a bottom view of the apparatus of FIG. 1.

The surface shading illustrated in the drawings is provided
merely to highlight the contour of design; it is not intended to
be illustrative of texture or gloss.

1 Claim, 5 Drawing Sheets



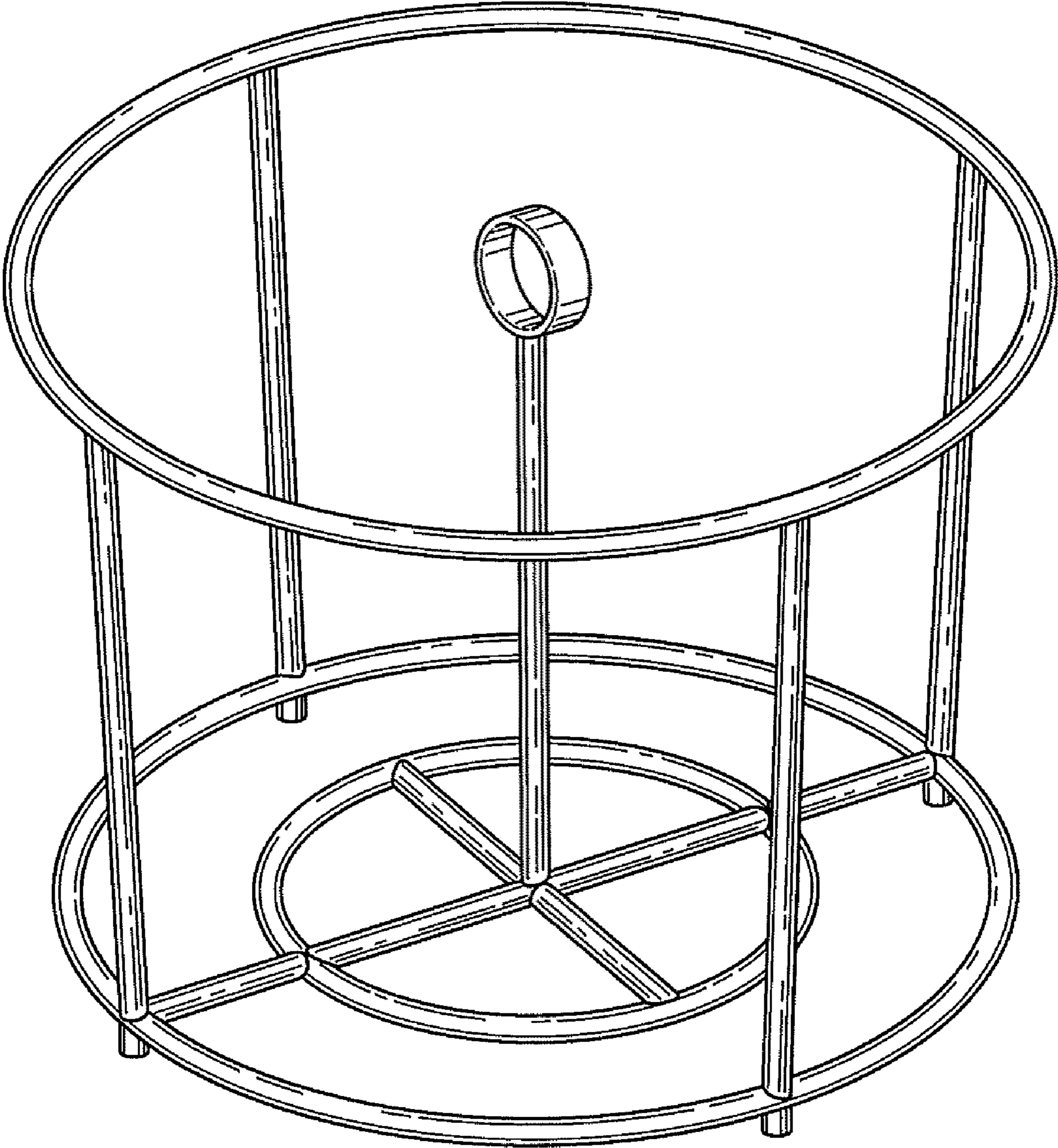


FIG. 1

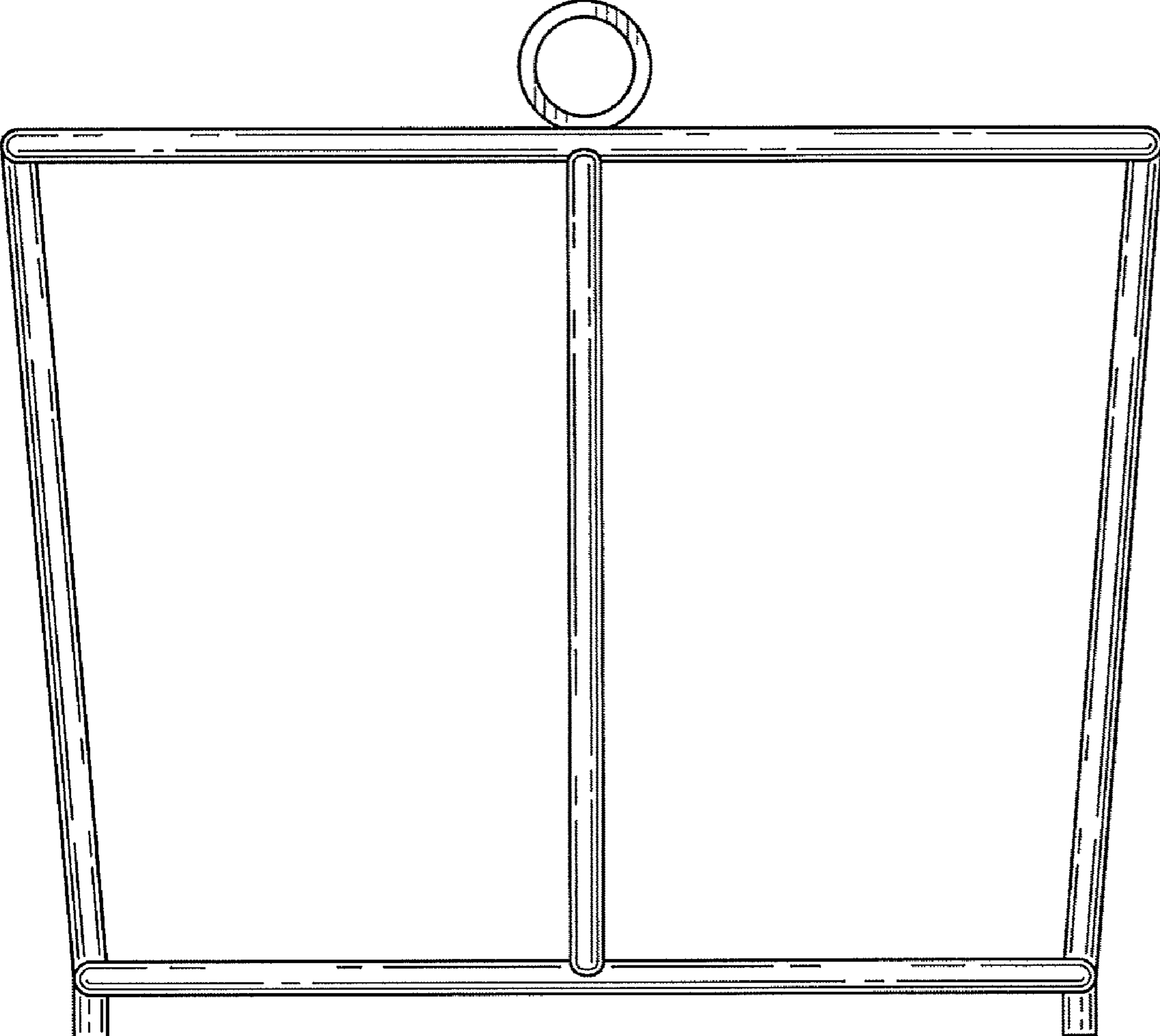


FIG. 2

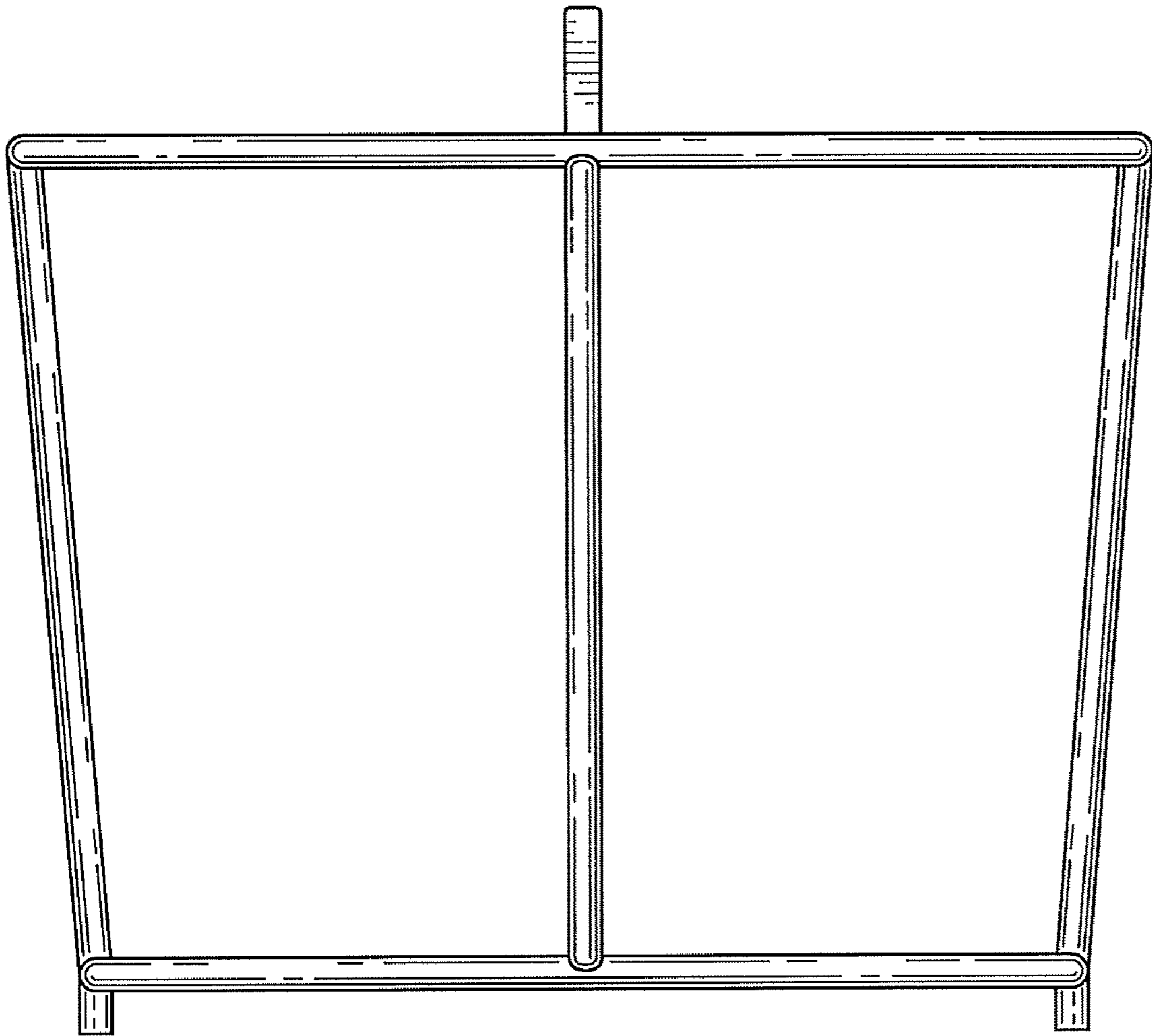


FIG. 3

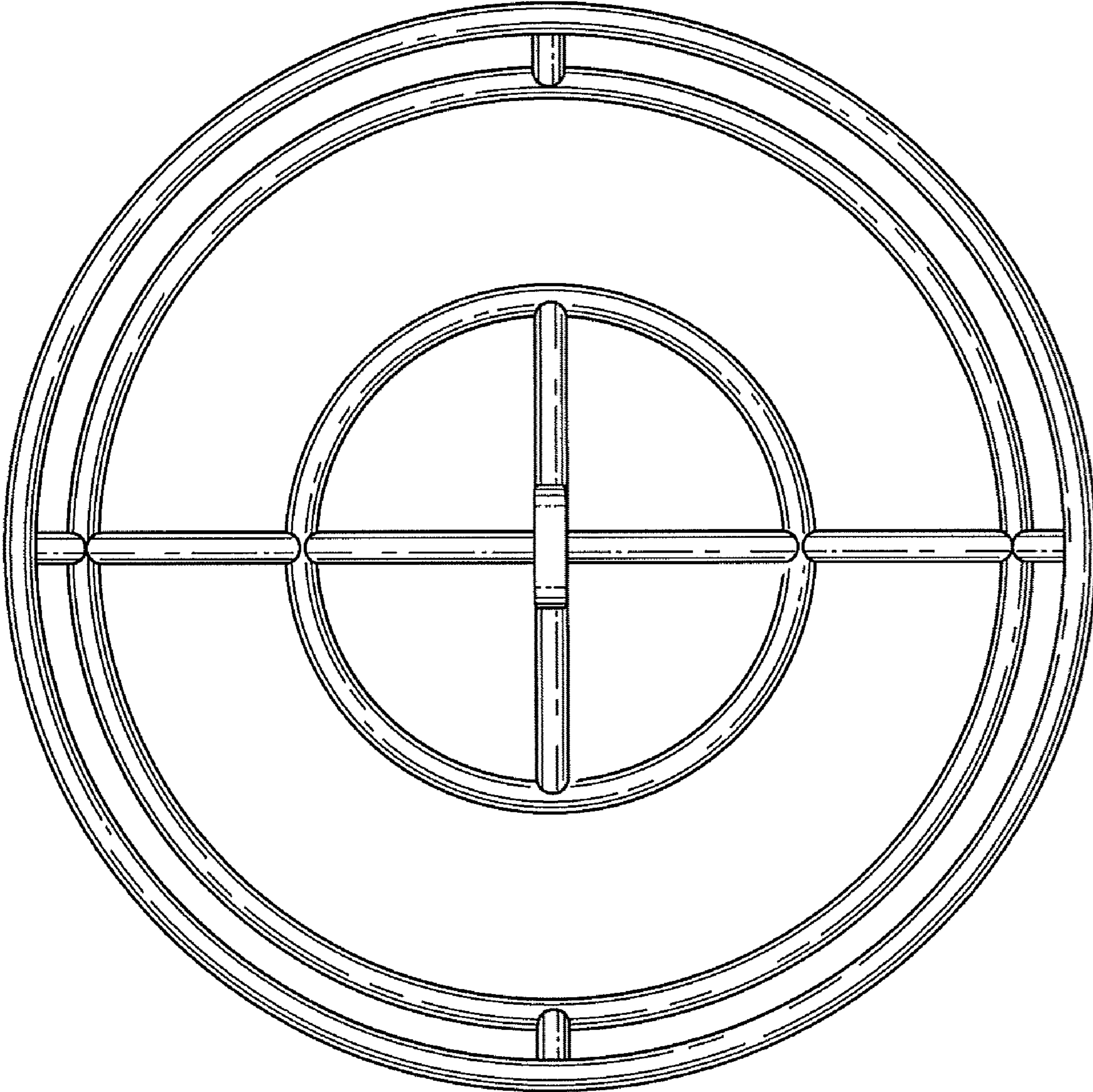


FIG. 4

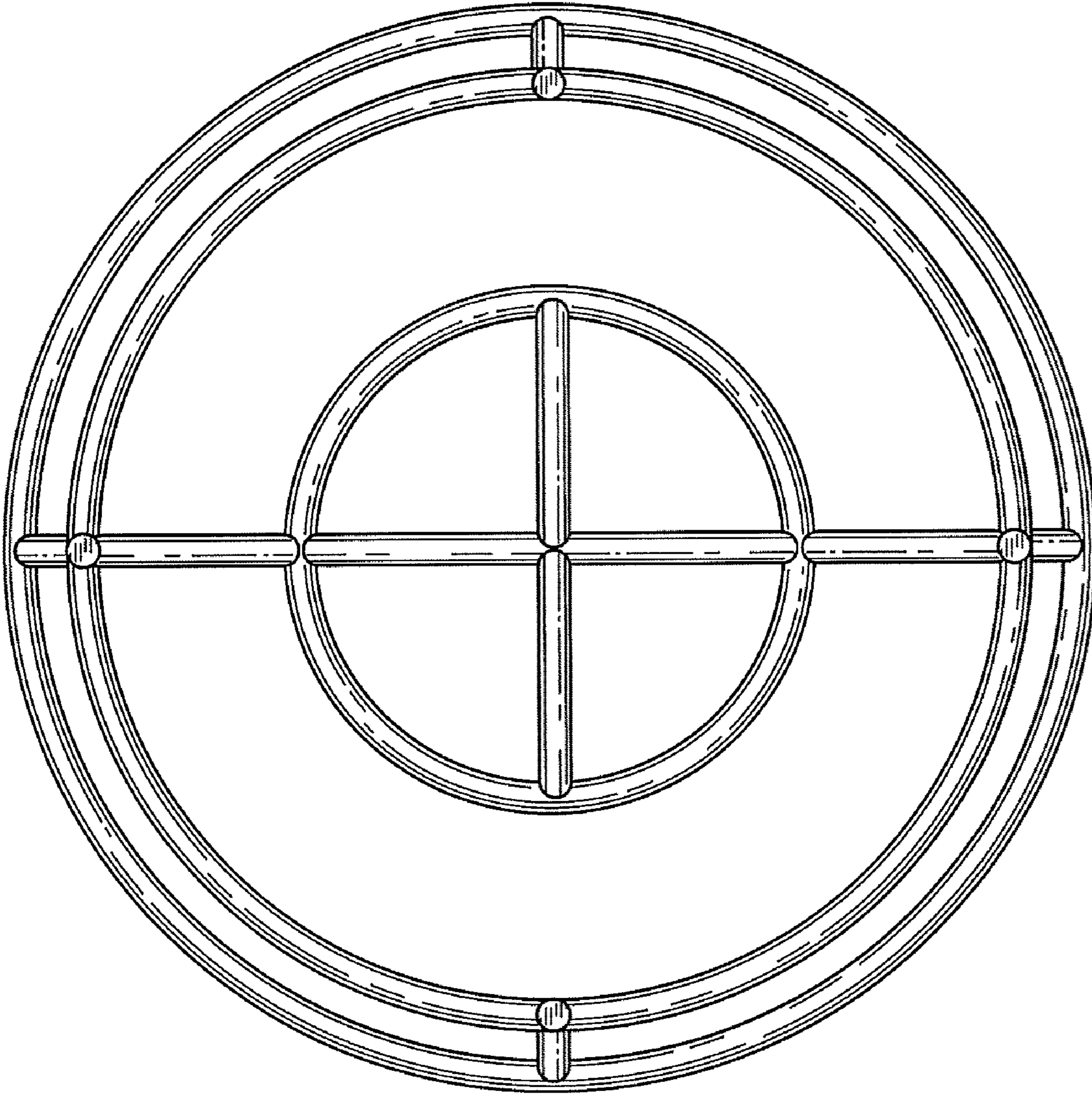


FIG. 5

UNITED STATES PATENT AND TRADEMARK OFFICE
CERTIFICATE OF CORRECTION

PATENT NO. : Des. 615,355 S
APPLICATION NO. : 29/345662
DATED : May 11, 2010
INVENTOR(S) : Stephanie Vlahos

Page 1 of 1

It is certified that error appears in the above-identified patent and that said Letters Patent is hereby corrected as shown below:

On the cover page, under the heading (76) Inventors, please correct the spelling of the inventor's name to read as follows::

-- **Stephanie Vlahos** --.

Signed and Sealed this

Thirteenth Day of July, 2010

A handwritten signature in black ink that reads "David J. Kappos". The signature is written in a cursive, slightly slanted style.

David J. Kappos
Director of the United States Patent and Trademark Office