



US00D615354S

(12) **United States Design Patent**
Garpelin

(10) **Patent No.:** **US D615,354 S**

(45) **Date of Patent:** **** May 11, 2010**

(54) **WIND SCREEN**

(75) Inventor: **Tommy Garpelin**, Skultuna (SE)

(73) Assignee: **Primus AB**, Ornskoldsvik (SE)

(**) Term: **14 Years**

(21) Appl. No.: **29/290,443**

(22) Filed: **Dec. 5, 2007**

(30) **Foreign Application Priority Data**

Jun. 15, 2007 (EM) 000742218-0002

(51) **LOC (9) Cl.** **07-02**

(52) **U.S. Cl.** **D7/402**

(58) **Field of Classification Search** D7/332,
D7/334-337, 402-406; 126/25 R, 25 A,
126/25 AA, 9 R, 9 A, 9 B, 37 R, 41 R, 40,
126/42, 50, 299 C, 98, 201, 43-44, 48, 38,
126/29-30, 214 D

See application file for complete search history.

(56) **References Cited**

U.S. PATENT DOCUMENTS

3,789,821 A * 2/1974 Fick et al. 126/38
5,979,428 A * 11/1999 Greene, Jr. 126/38

6,851,419 B2 * 2/2005 Reiner 126/9 B
6,918,387 B2 * 7/2005 Klarich et al. 126/201
6,973,927 B1 * 12/2005 Stewart 126/98
2001/0035178 A1 * 11/2001 Pecoskie 126/44
2005/0115556 A1 * 6/2005 Carson et al. 126/25 R
2007/0039603 A1 * 2/2007 Lindsly et al. 126/38
2007/0199555 A1 * 8/2007 Gregory 126/9 R

* cited by examiner

Primary Examiner—Ruth McInroy

(74) *Attorney, Agent, or Firm*—Nixon & Vanderhye P.C.

(57) **CLAIM**

I claim the ornamental design for a wind screen, as shown and described.

DESCRIPTION

FIG. 1 is a top perspective view of the wind screen.

FIG. 2 is a top view of the wind screen.

FIG. 3 is a bottom view of the wind screen.

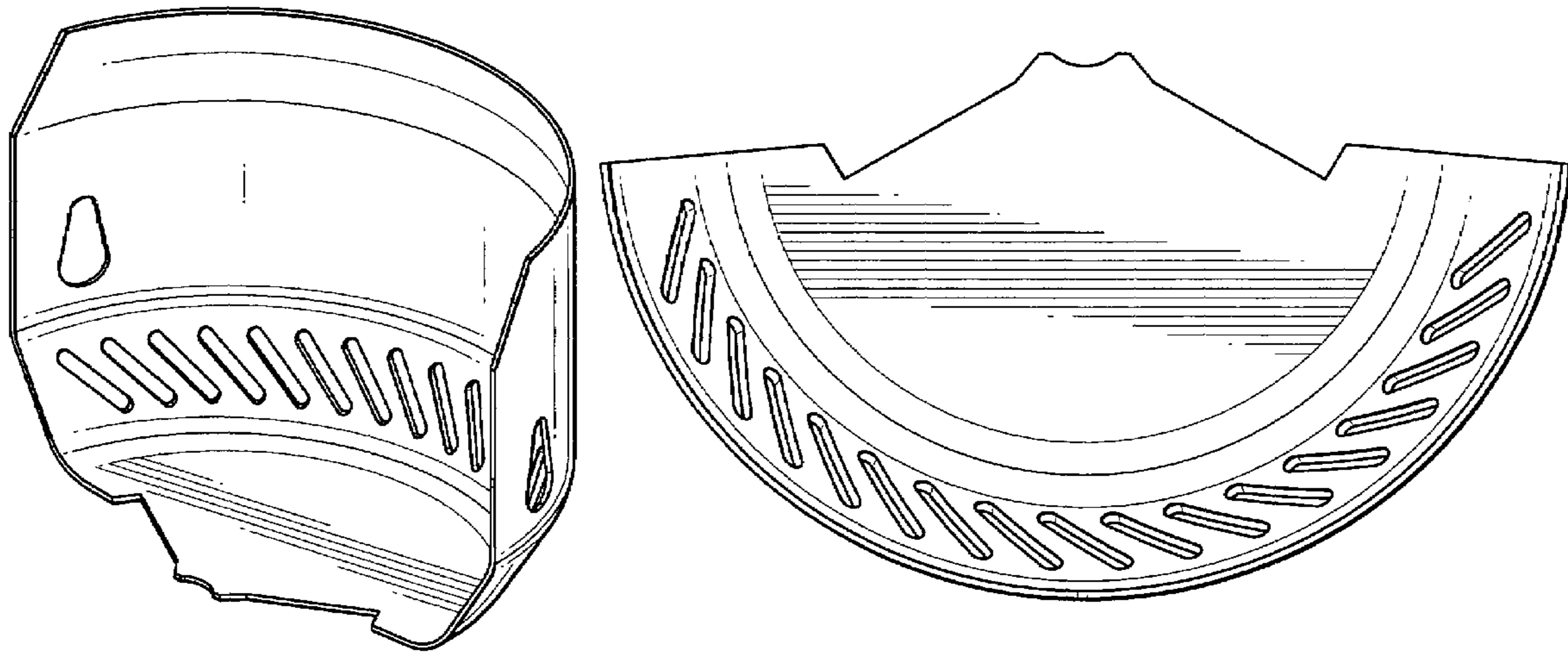
FIG. 4 is a left side view of the wind screen.

FIG. 5 is a right side view of the wind screen.

FIG. 6 is a front side view of the wind screen; and,

FIG. 7 is a back side view of the wind screen.

1 Claim, 7 Drawing Sheets



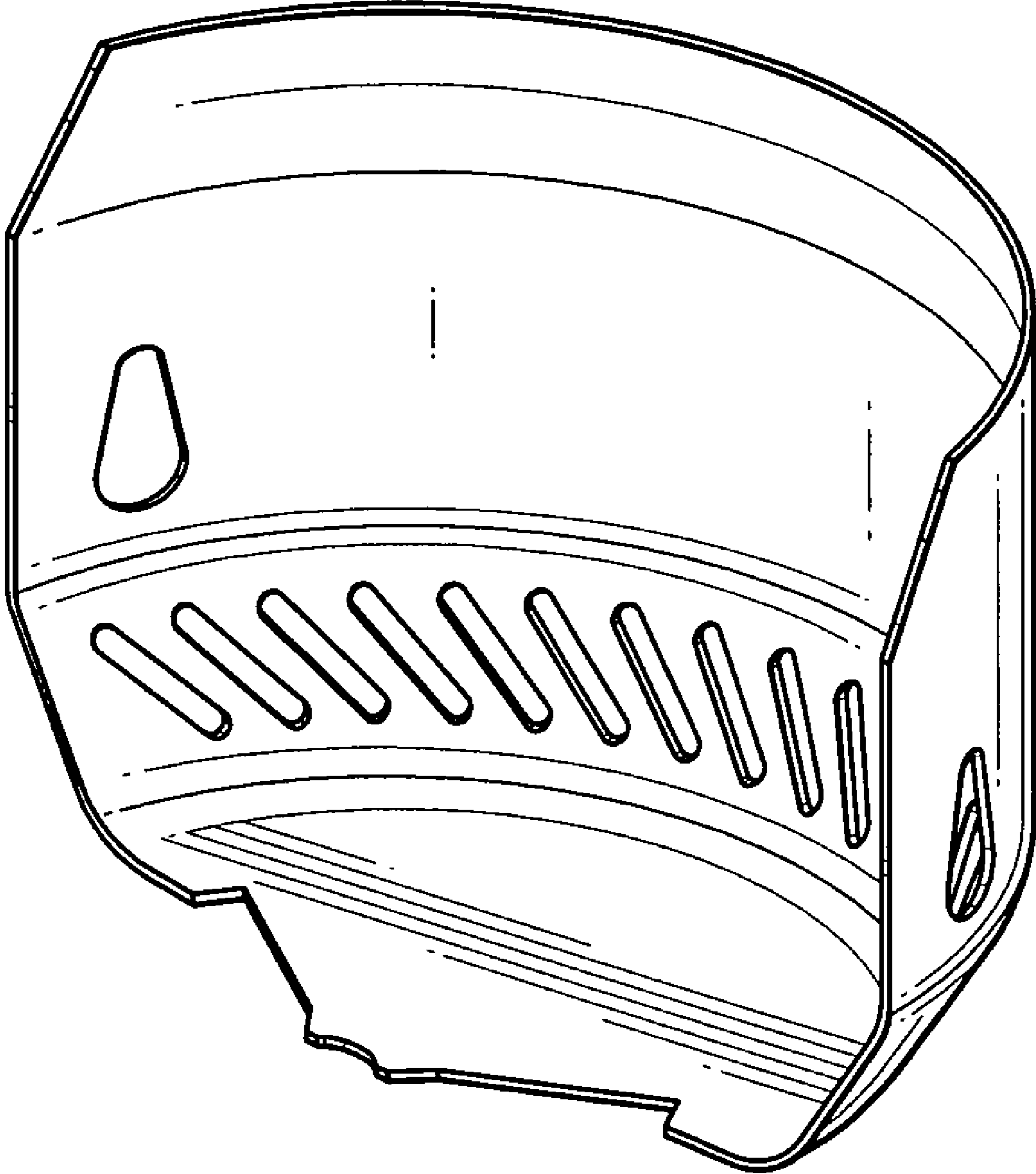


Figure 1

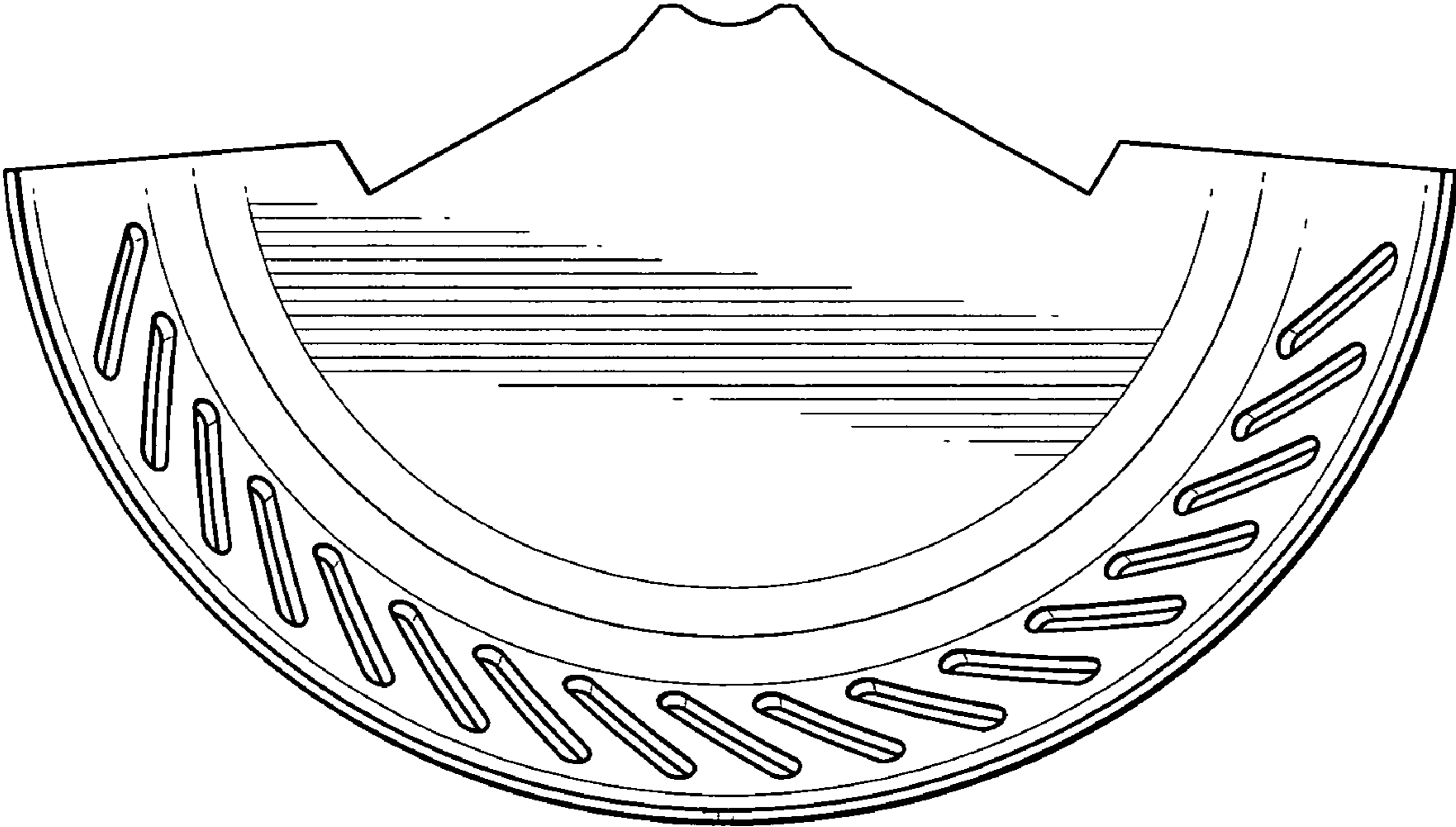


Figure 2

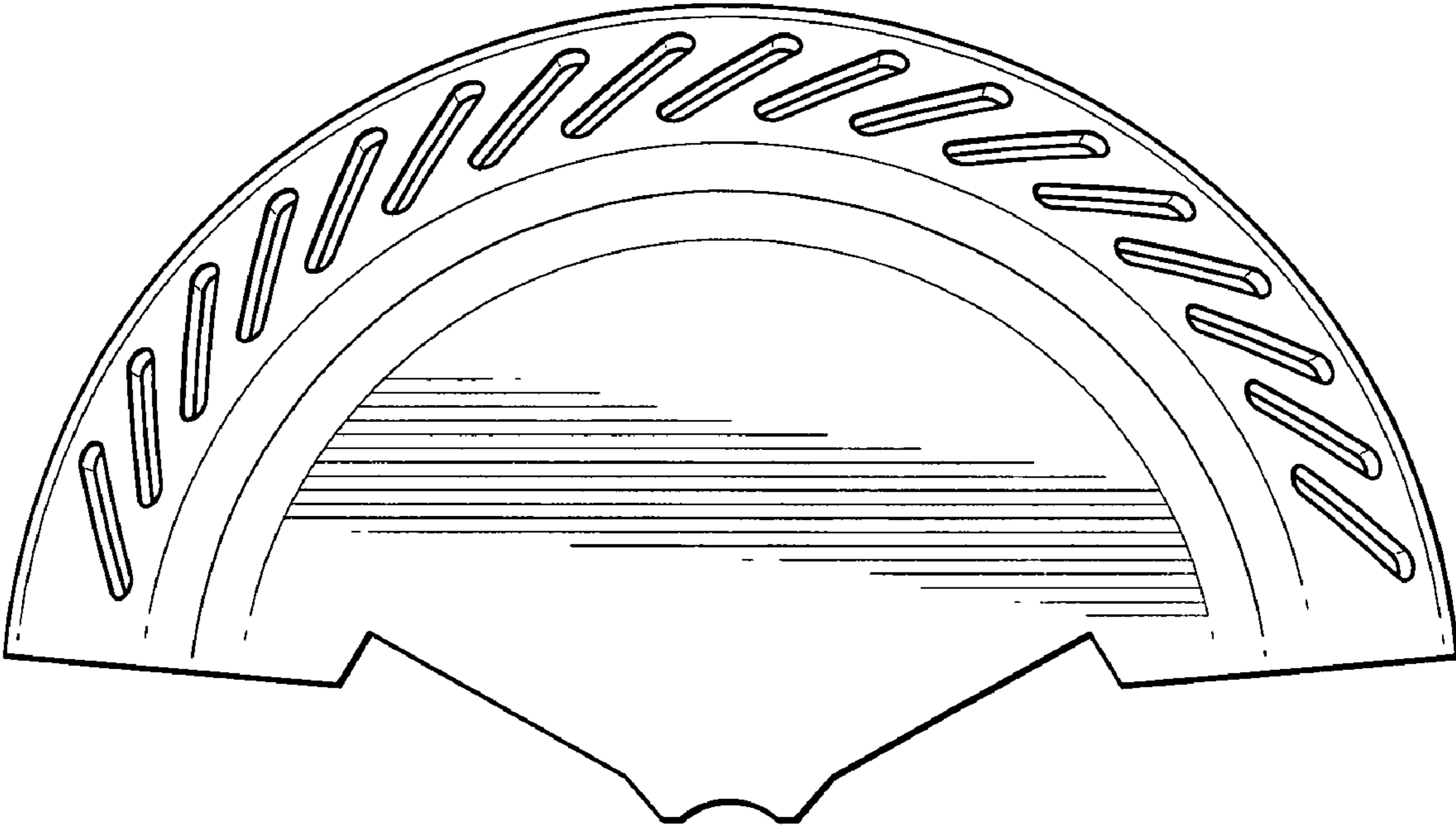


Figure 3

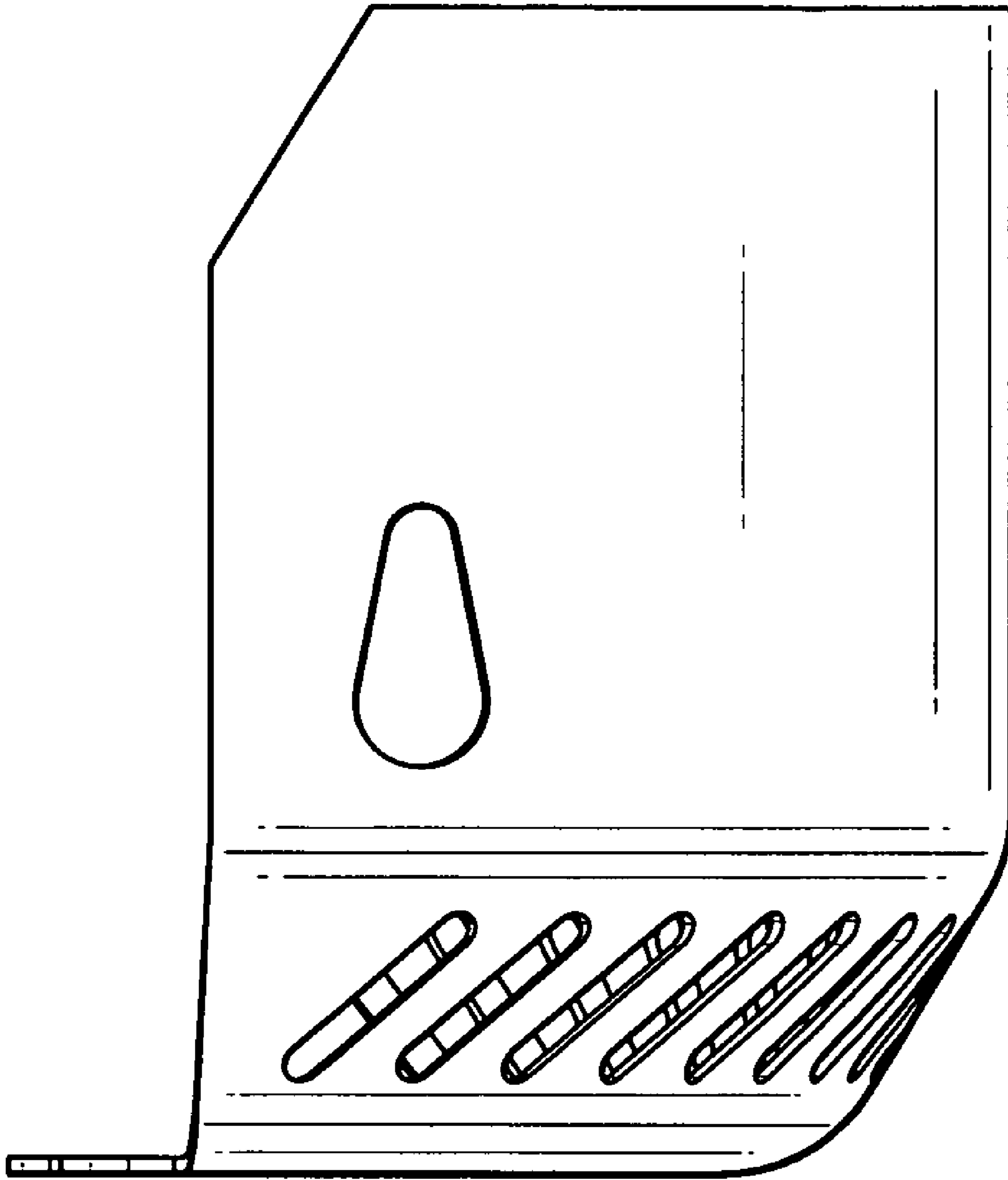


Figure 4

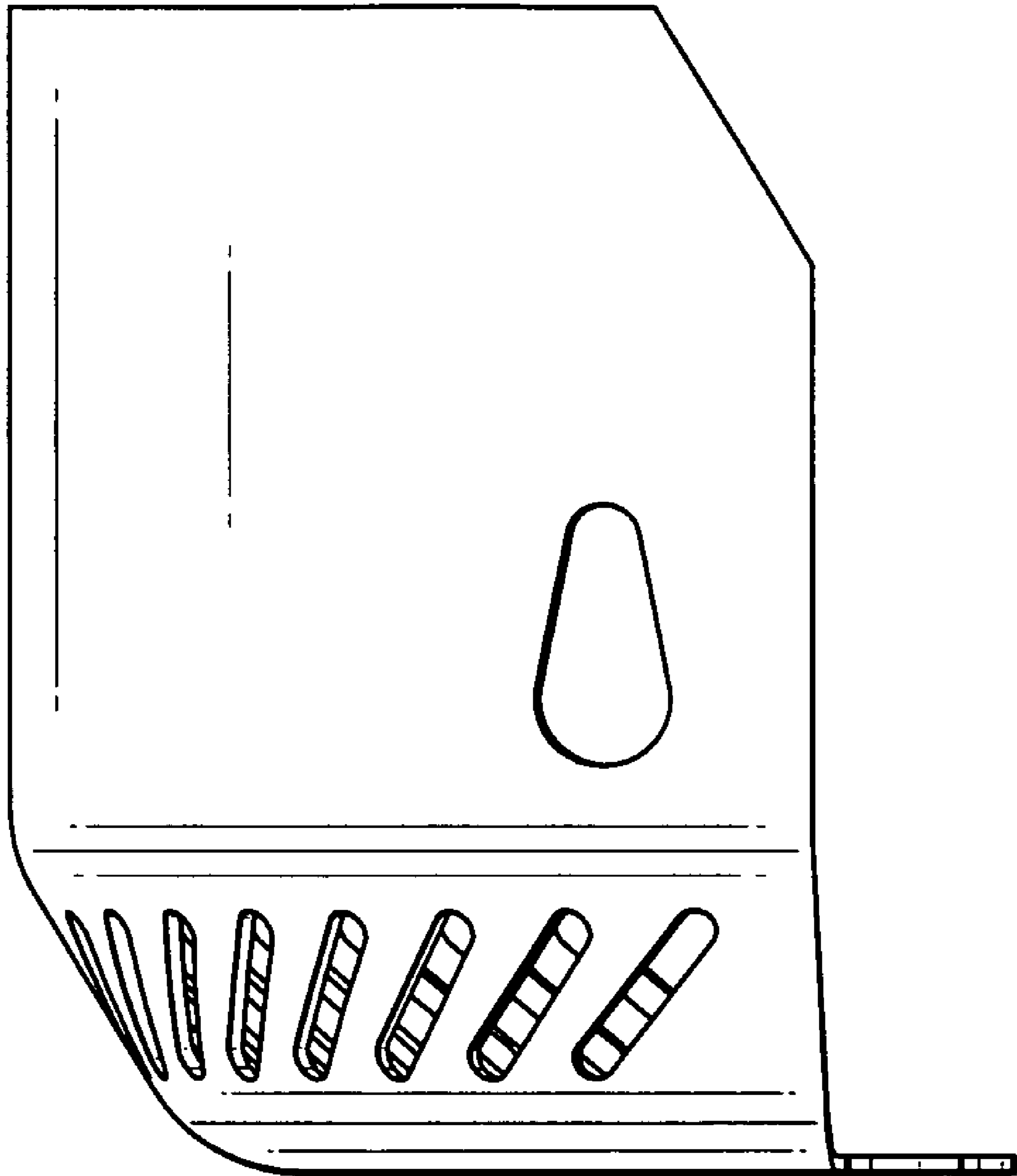


Figure 5

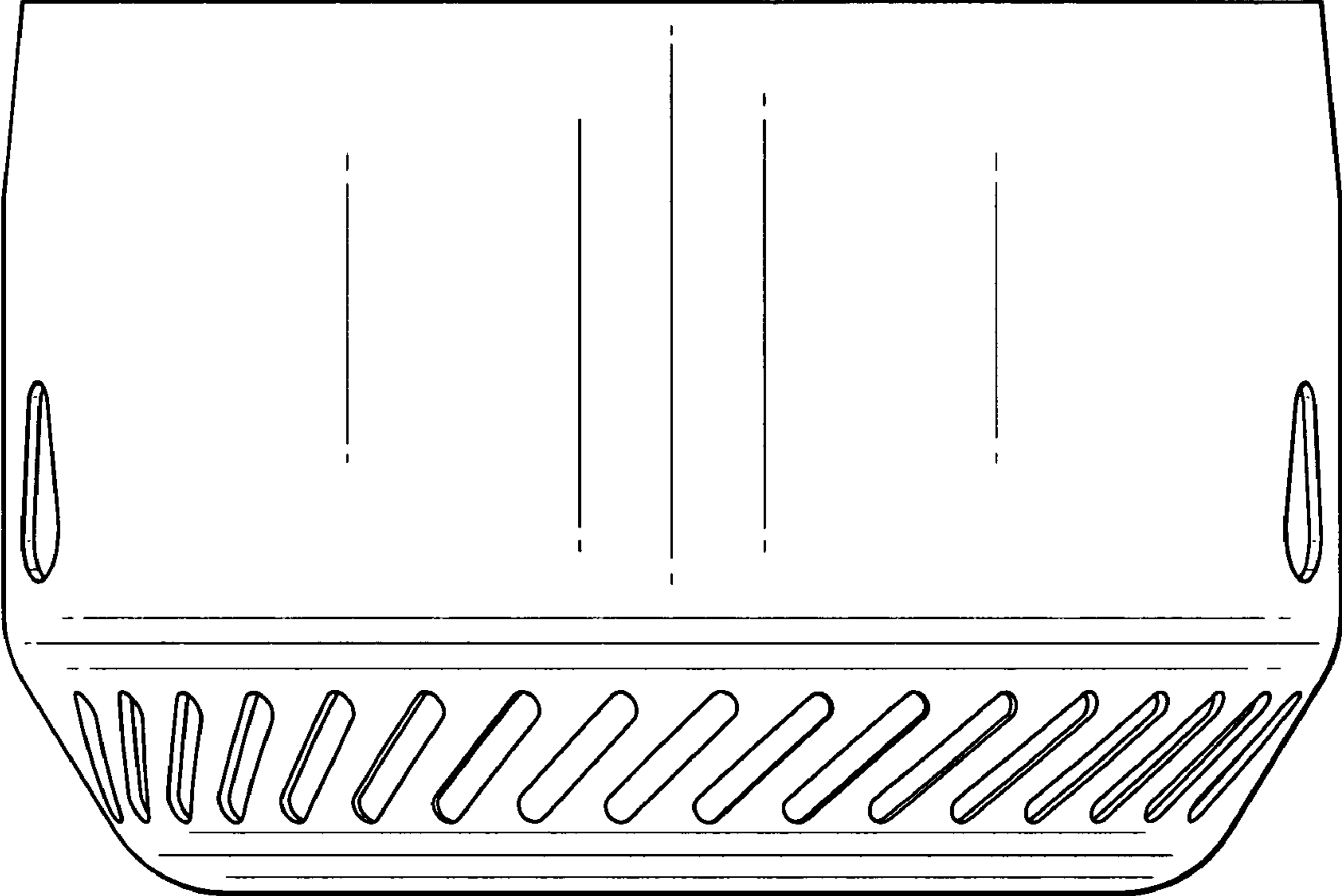


Figure 6

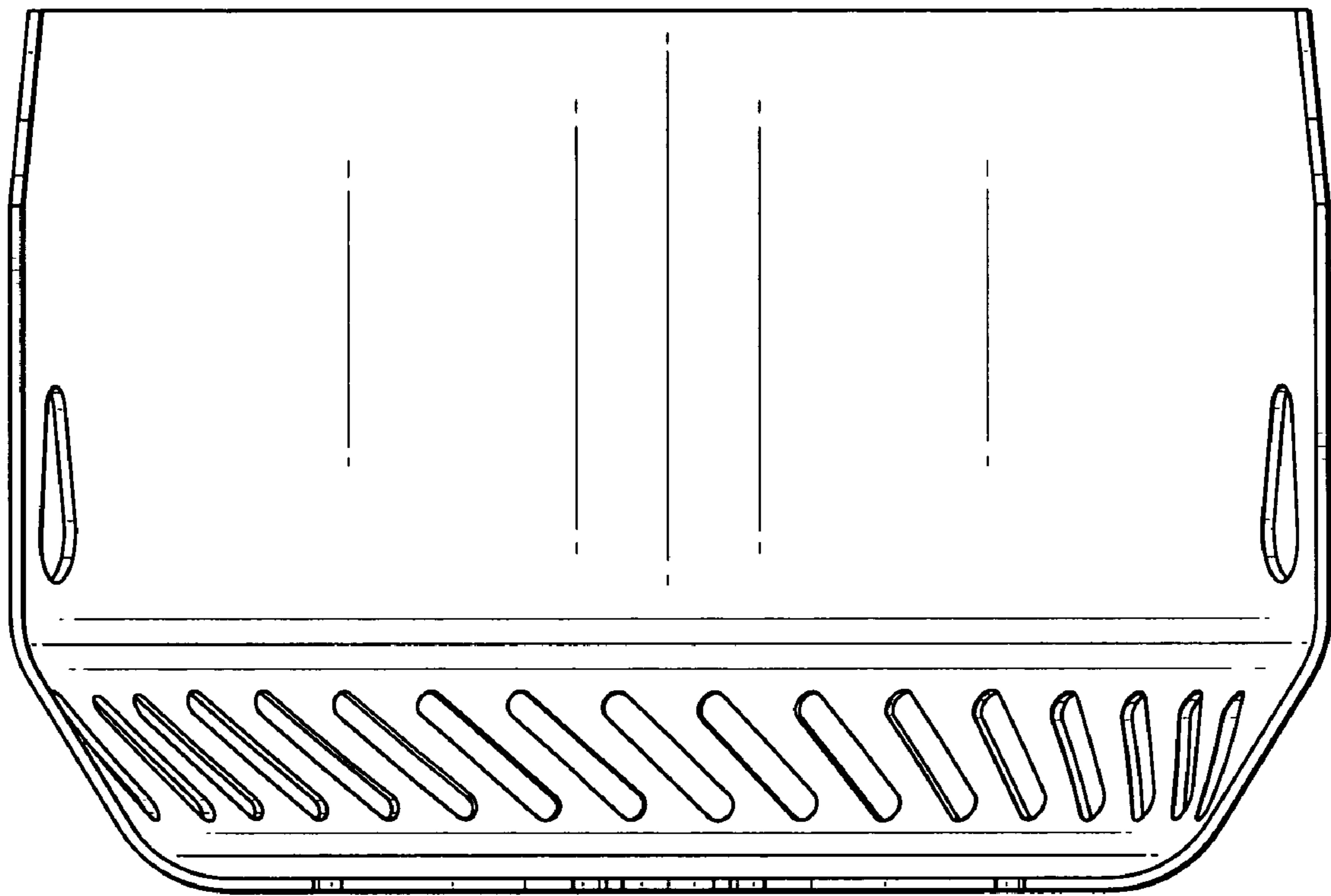


Figure 7