



US00D615353S

(12) **United States Design Patent**
Taggart et al.

(10) **Patent No.:** **US D615,353 S**

(45) **Date of Patent:** **** May 11, 2010**

(54) **TAP HANDLE FOR BEVERAGE DISPENSER**

(75) Inventors: **Jeffrey S. Taggart**, McLean, VA (US);
Marc L. Vitantonio, South Russell, OH
(US); **William E. Rabbitt**, Solon, OH
(US); **John W. Nottingham**, Bratenahl,
OH (US); **Jay Tapper**, Palm Beach
Gardens, FL (US); **Patrick W. Brown**,
Auburn, OH (US)

(73) Assignee: **On Tap LLC**, Palm Beach Gardens, FL
(US)

(**) Term: **14 Years**

(21) Appl. No.: **29/341,641**

(22) Filed: **Aug. 10, 2009**

(51) **LOC (9) Cl.** **07-99**

(52) **U.S. Cl.** **D7/397; D7/393**

(58) **Field of Classification Search** D7/398,
D7/397, 395, 393; D8/107; D34/39; D23/202;
222/113, 469; 40/473

See application file for complete search history.

(56) **References Cited**

U.S. PATENT DOCUMENTS

3,286,385 A * 11/1966 Tate, Jr. 40/473

D253,538 S * 11/1979 Brutsman D7/398
D300,403 S * 3/1989 Holcomb D7/398
D354,656 S * 1/1995 Strawbridge D7/398
D558,950 S * 1/2008 Brans D34/39
D587,964 S * 3/2009 Thomas D7/398

* cited by examiner

Primary Examiner—Marianne Pandozzi

(74) *Attorney, Agent, or Firm*—Fay Sharpe LLP

(57) **CLAIM**

The ornamental design for a tap handle for beverage dispenser as shown and described.

DESCRIPTION

FIG. 1 is a lower perspective view of a tap handle for beverage dispenser showing our new design;

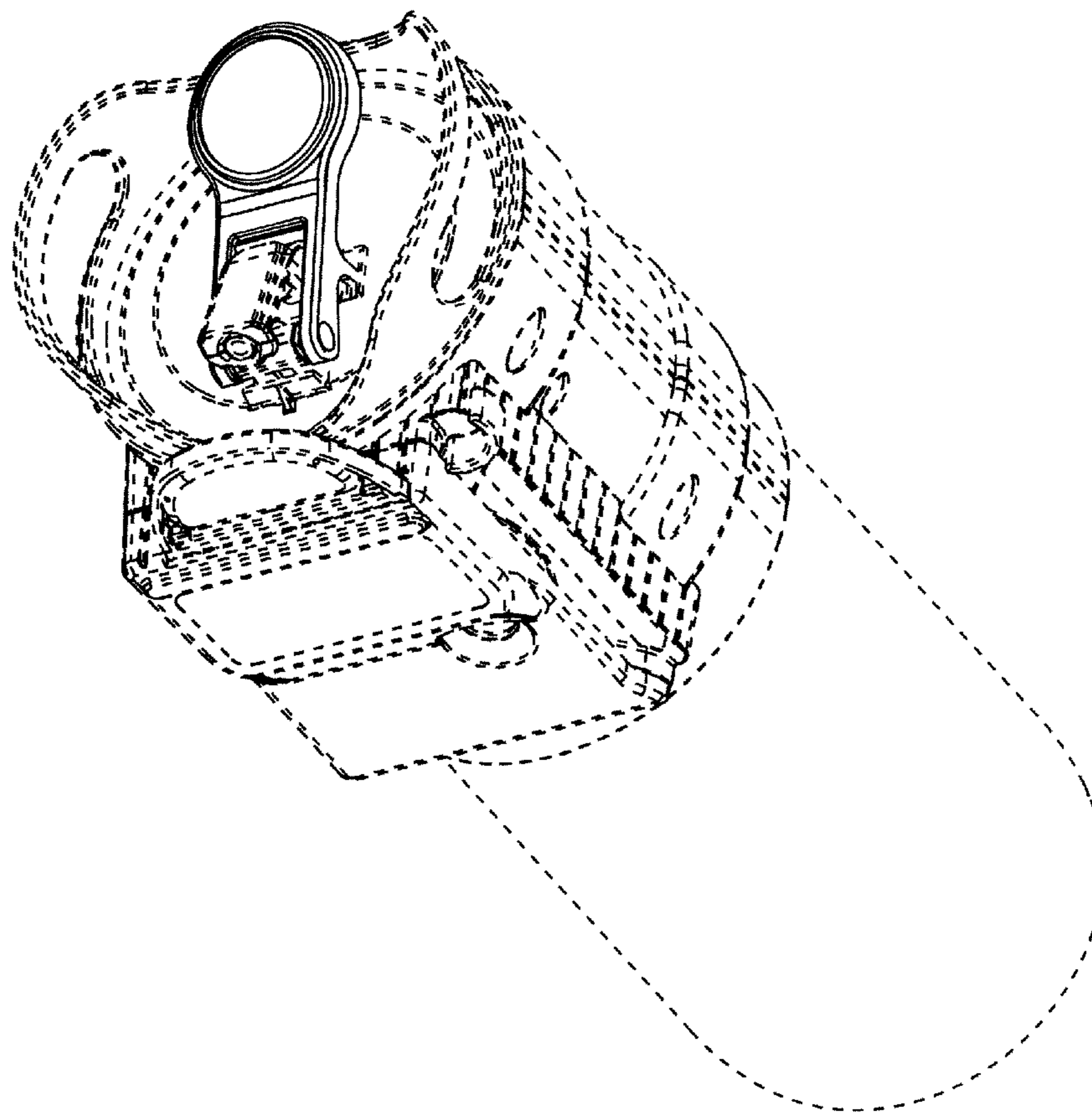
FIG. 2 is an enlarged perspective view thereof;

FIG. 3 is a top plan view thereof; and,

FIG. 4 is a side view thereof, the opposite side being a mirror image thereof.

The broken lines in the drawings are included for the purpose of illustration and form no part of the claimed design.

1 Claim, 4 Drawing Sheets



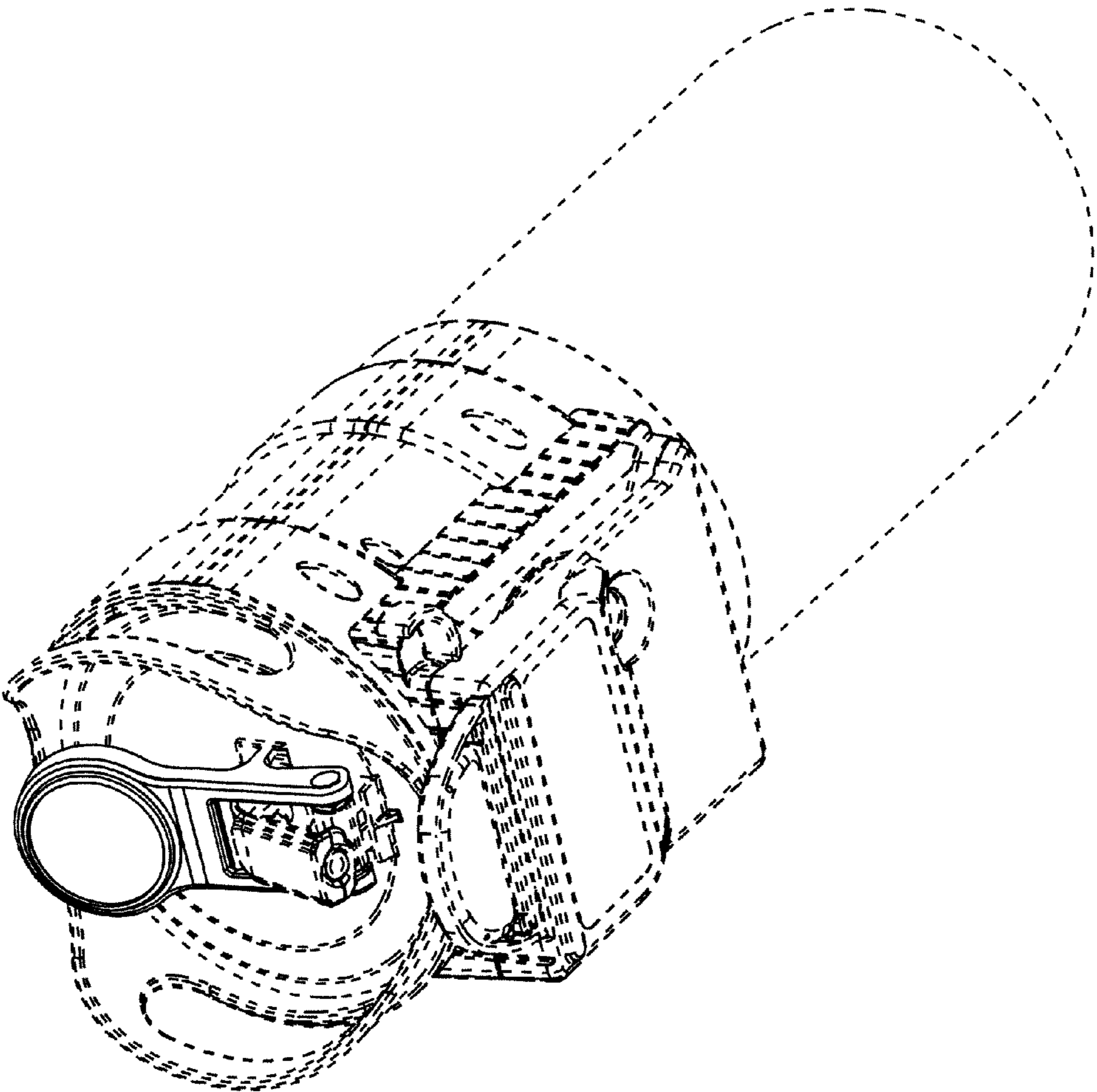


FIG. 1

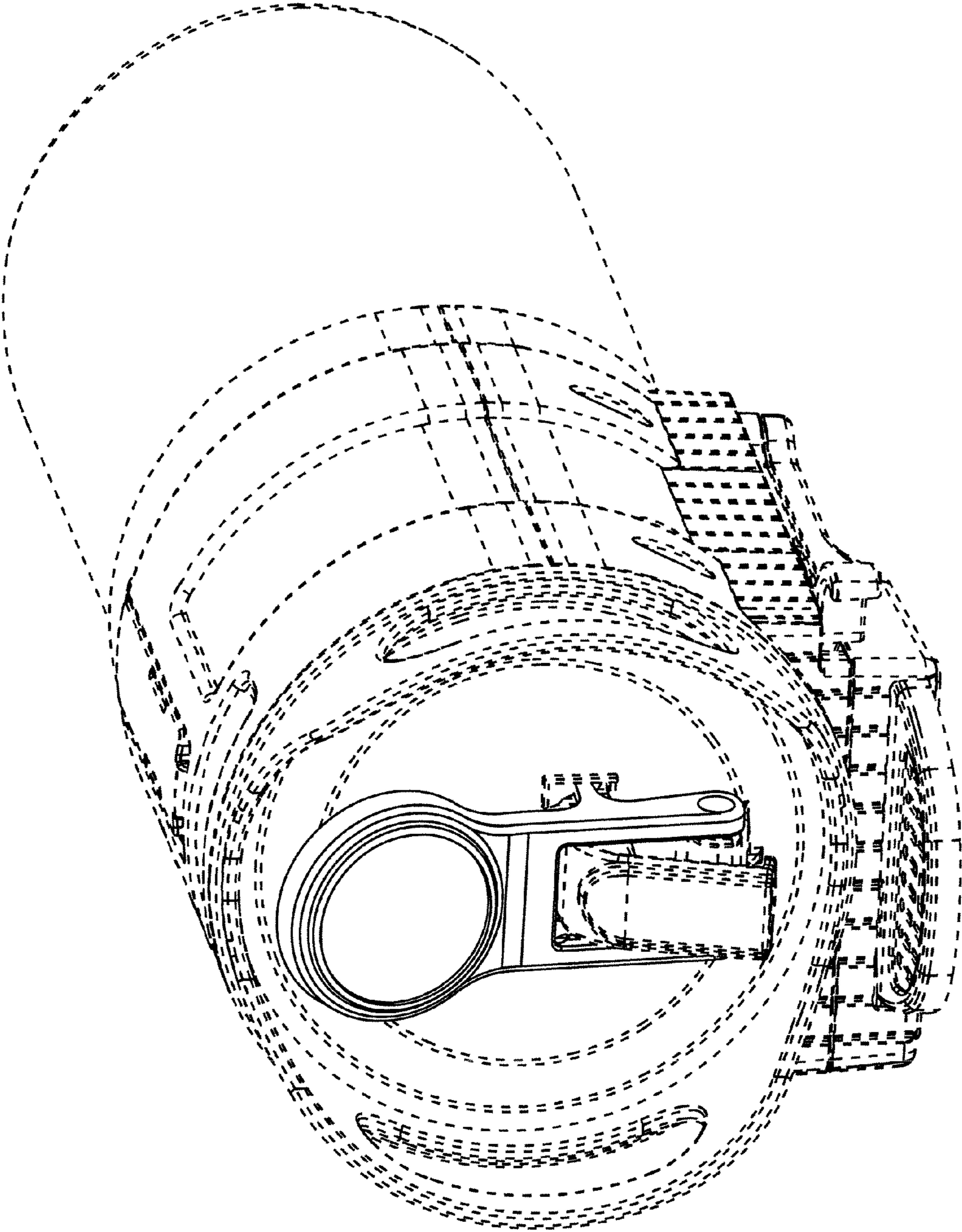


FIG. 2

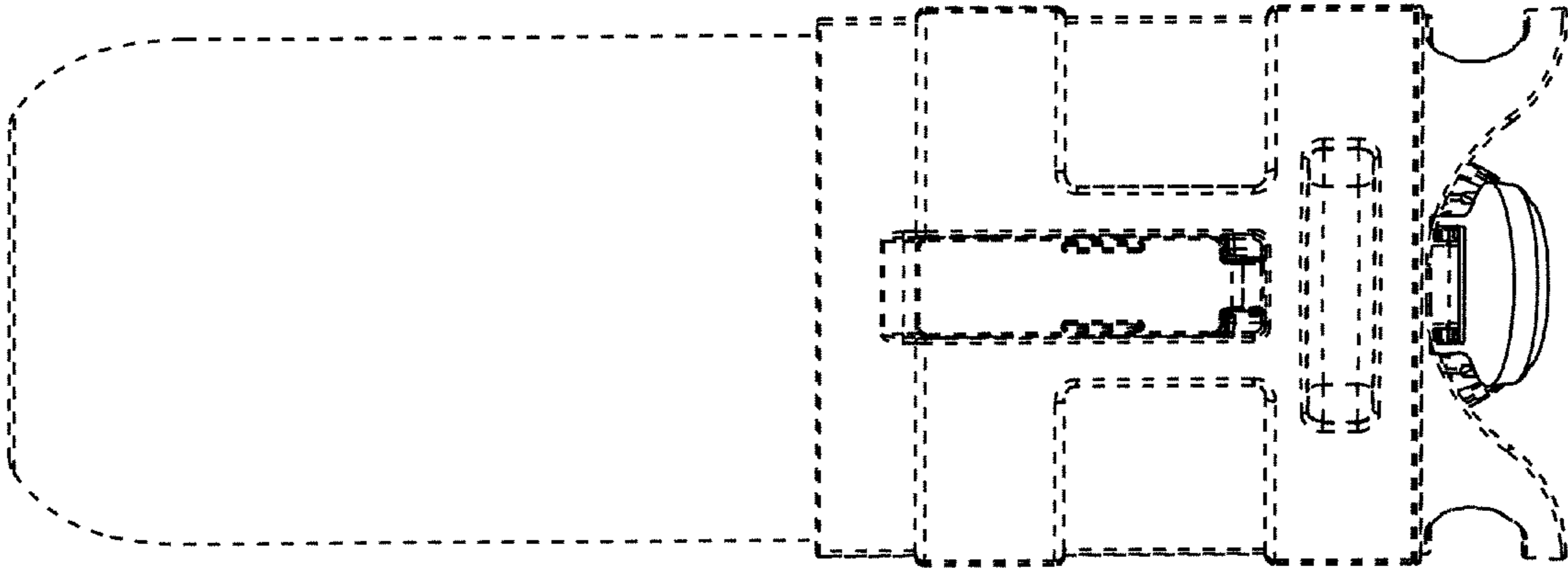


FIG. 3

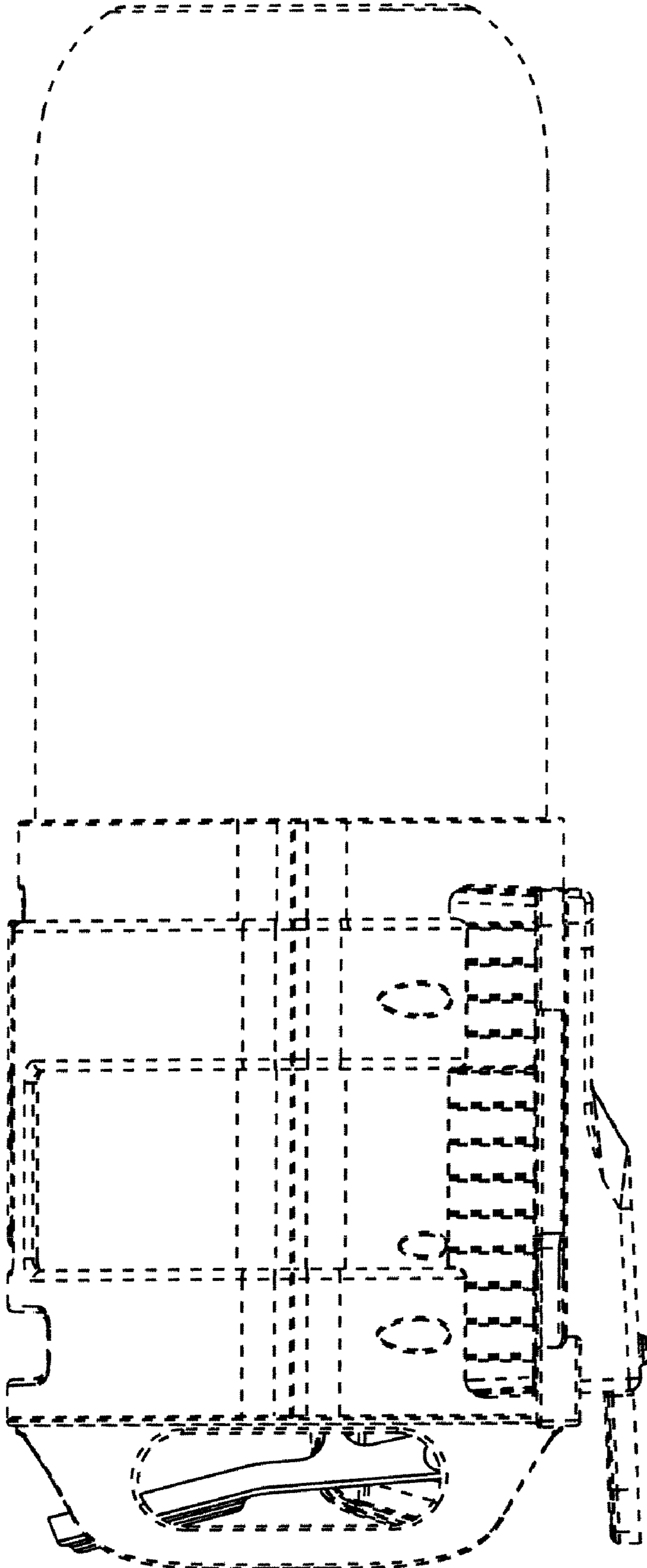


FIG. 4