



US00D615350S

(12) **United States Design Patent**
Munari

(10) **Patent No.:** **US D615,350 S**
(45) **Date of Patent:** **** May 11, 2010**

(54) **COOKWARE HANDLE**

(75) Inventor: **Marco Munari**, Cardano al Campo (IT)

(73) Assignee: **La Termoplastico F.B.M. S.r.l.**, Arsago
Seprio (Varese) (IT)

(**) Term: **14 Years**

(21) Appl. No.: **29/315,214**

(22) Filed: **Jun. 5, 2009**

(30) **Foreign Application Priority Data**

Dec. 22, 2008 (EM) 001060891

(51) **LOC (9) Cl.** **07-02**

(52) **U.S. Cl.** **D7/394**

(58) **Field of Classification Search** D7/354-361,
D7/391, 393, 394; D8/107, 307, 300; 220/573.1-573.5,
220/752, 753, 755, 756, 759, 771, 912; 16/110.1,
16/402, 410, 412, 414, 417, 433, 441-443;
D3/318; D4/129

See application file for complete search history.

(56) **References Cited**

U.S. PATENT DOCUMENTS

D277,257 S * 1/1985 Cesaroni D7/394
D348,178 S * 6/1994 Munari D7/394

D391,444 S * 3/1998 Munari D7/394
D442,023 S * 5/2001 Chih-Chien D7/394
D444,345 S * 7/2001 Rae D7/394
D462,570 S * 9/2002 Munari D7/394

* cited by examiner

Primary Examiner—Philip S Hyder

Assistant Examiner—Cynthia M Chin

(74) *Attorney, Agent, or Firm*—Hedman & Costigan, P.C.;
James V. Costigan

(57) **CLAIM**

I claim, the ornamental design for a cookware handle, as
shown and described.

DESCRIPTION

FIG. 1 is a top perspective view of a cookware handle, show-
ing my new design;

FIG. 2 is a bottom perspective view thereof;

FIG. 3 is a top plan view thereof.

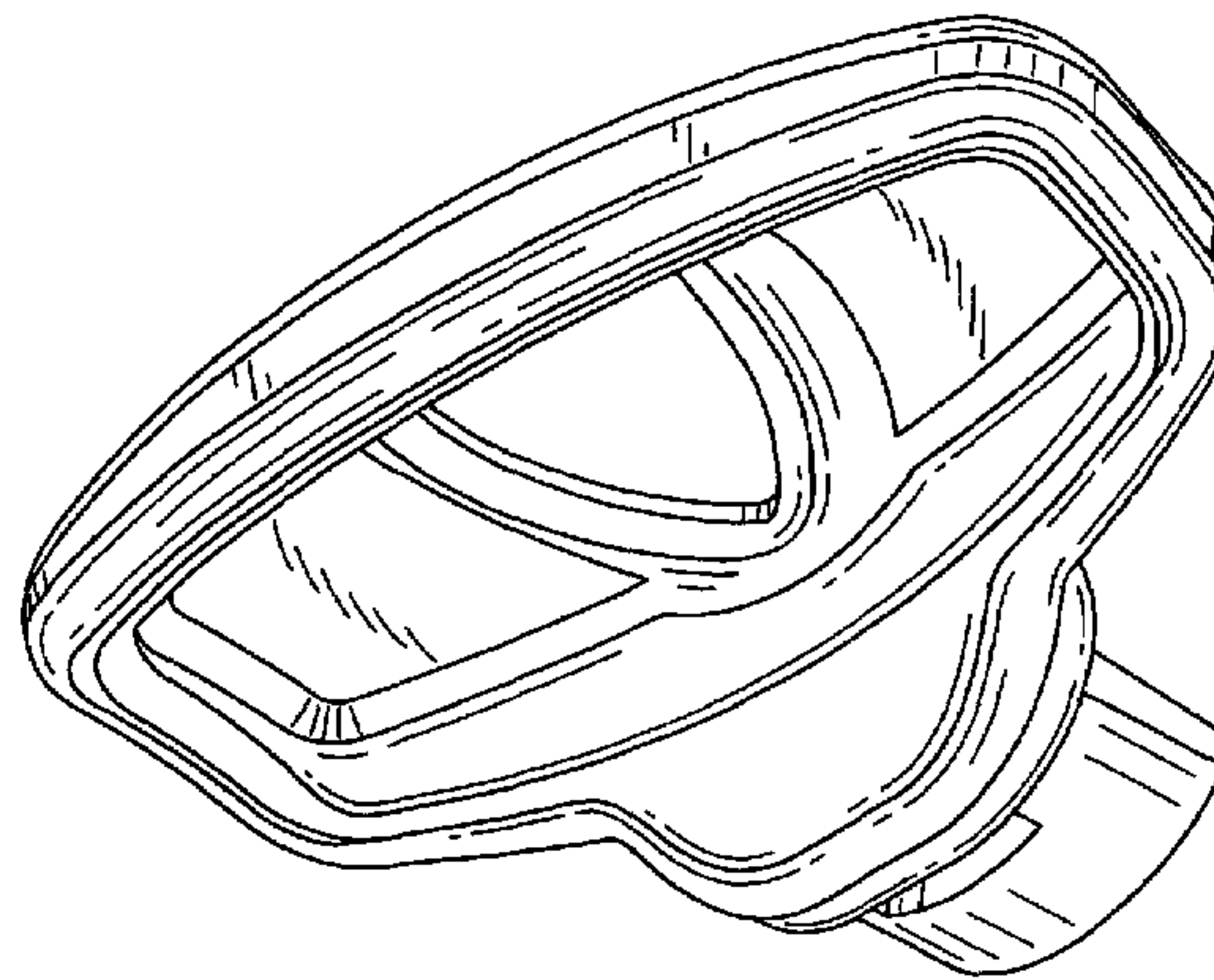
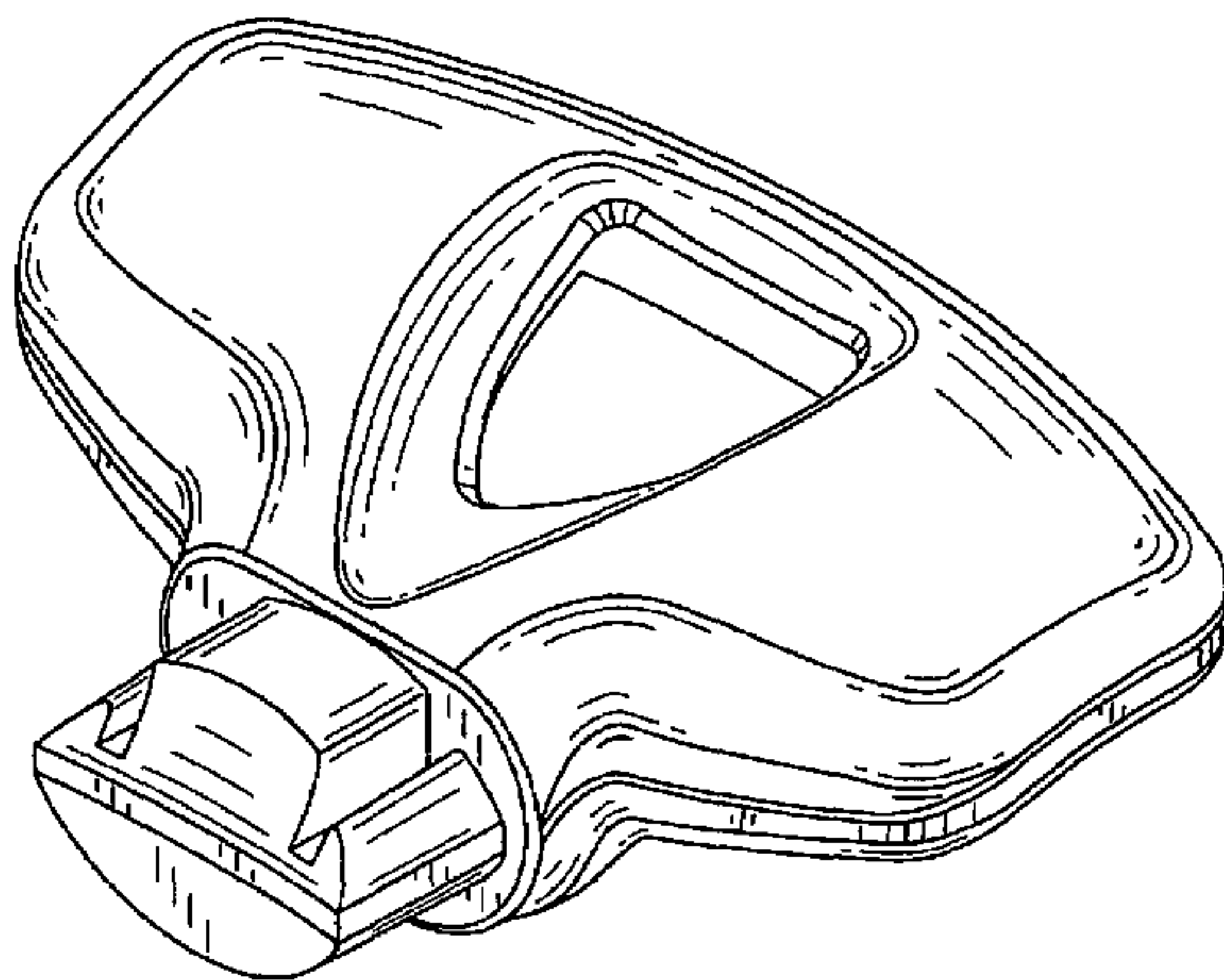
FIG. 4 is a bottom plan view thereof;

FIG. 5 is a left side view thereof, the right side view being a
mirror image thereof;

FIG. 6 is a rear view thereof; and,

FIG. 7 is a front view thereof.

1 Claim, 3 Drawing Sheets



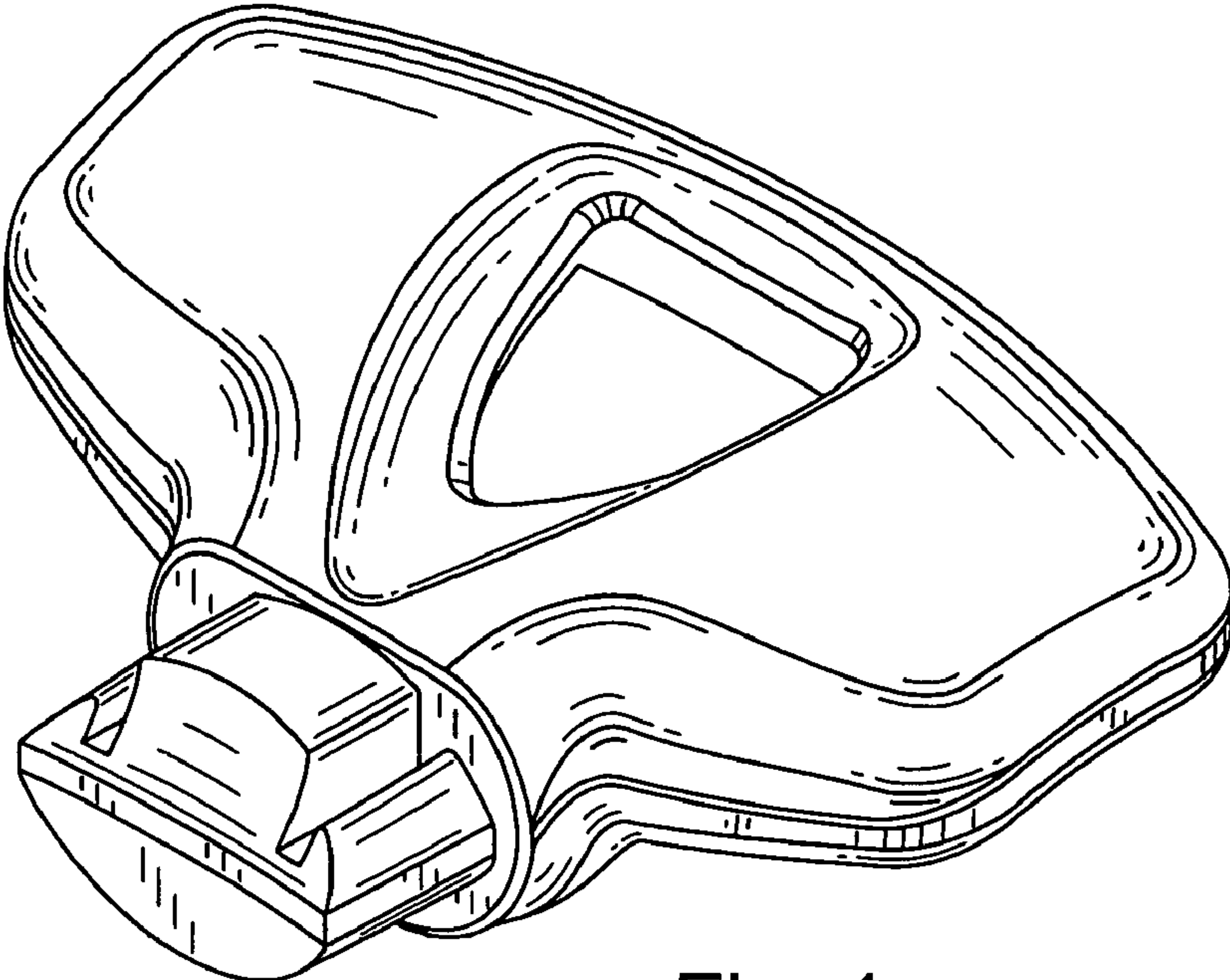


Fig. 1

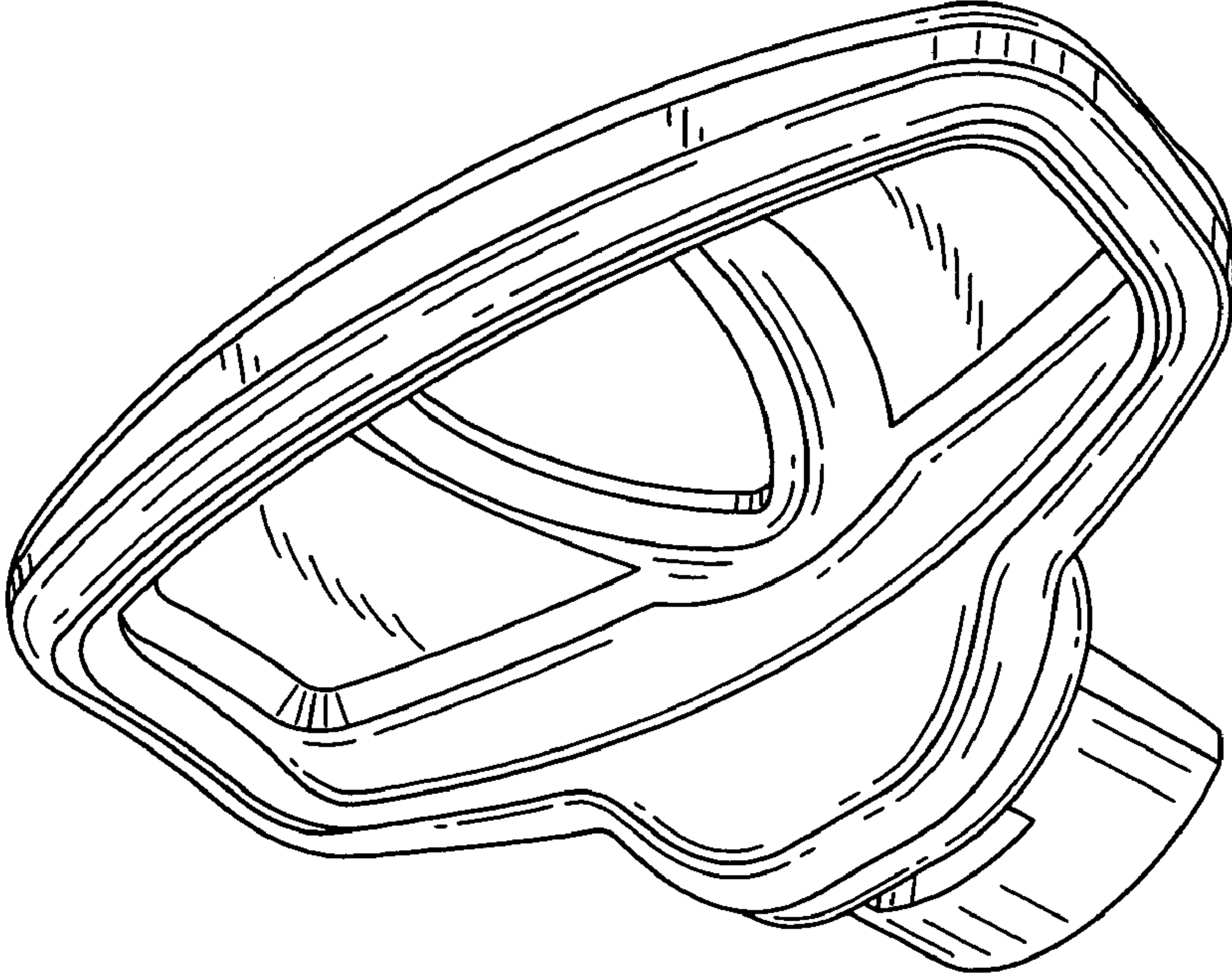


Fig. 2

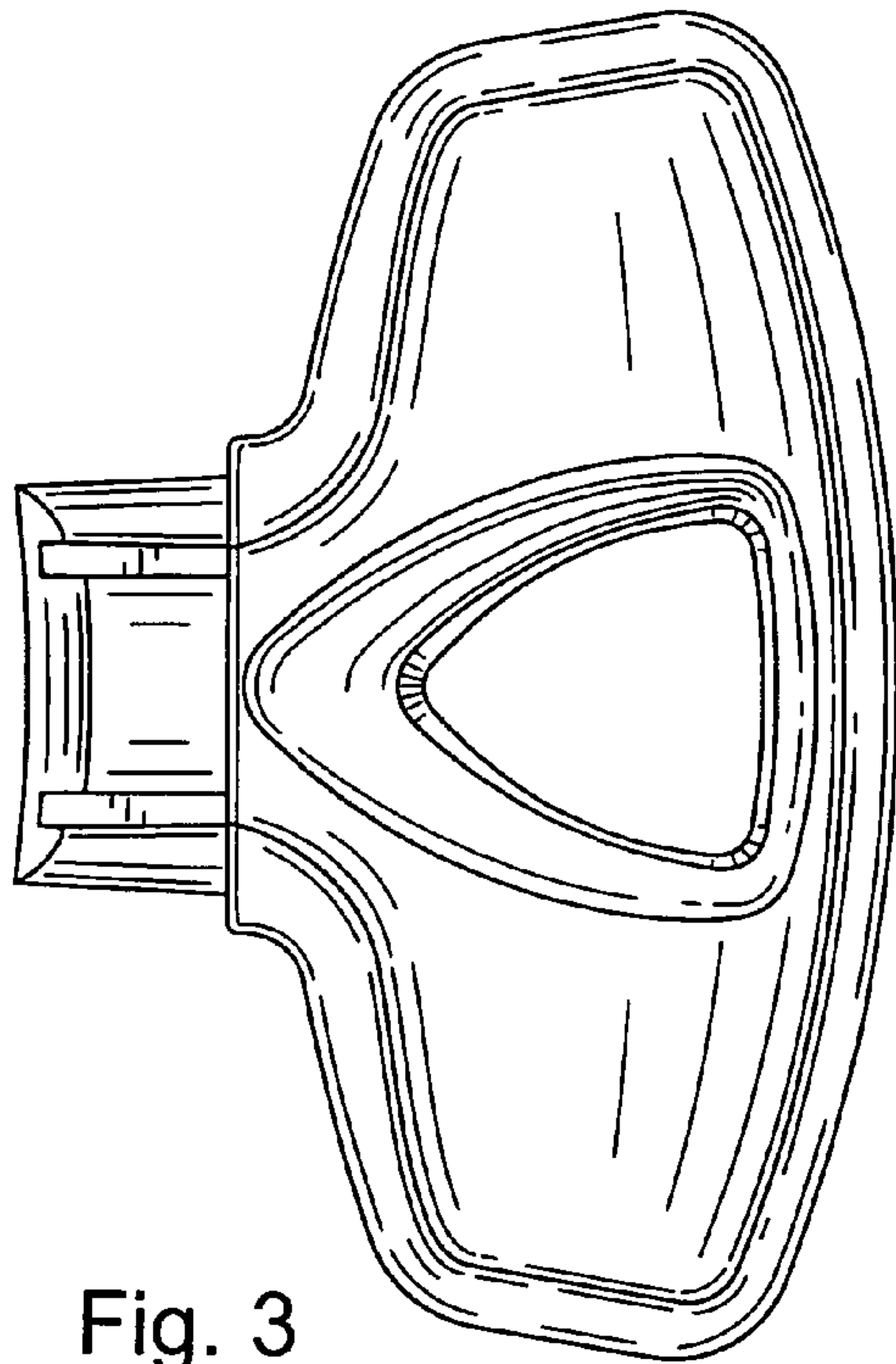


Fig. 3

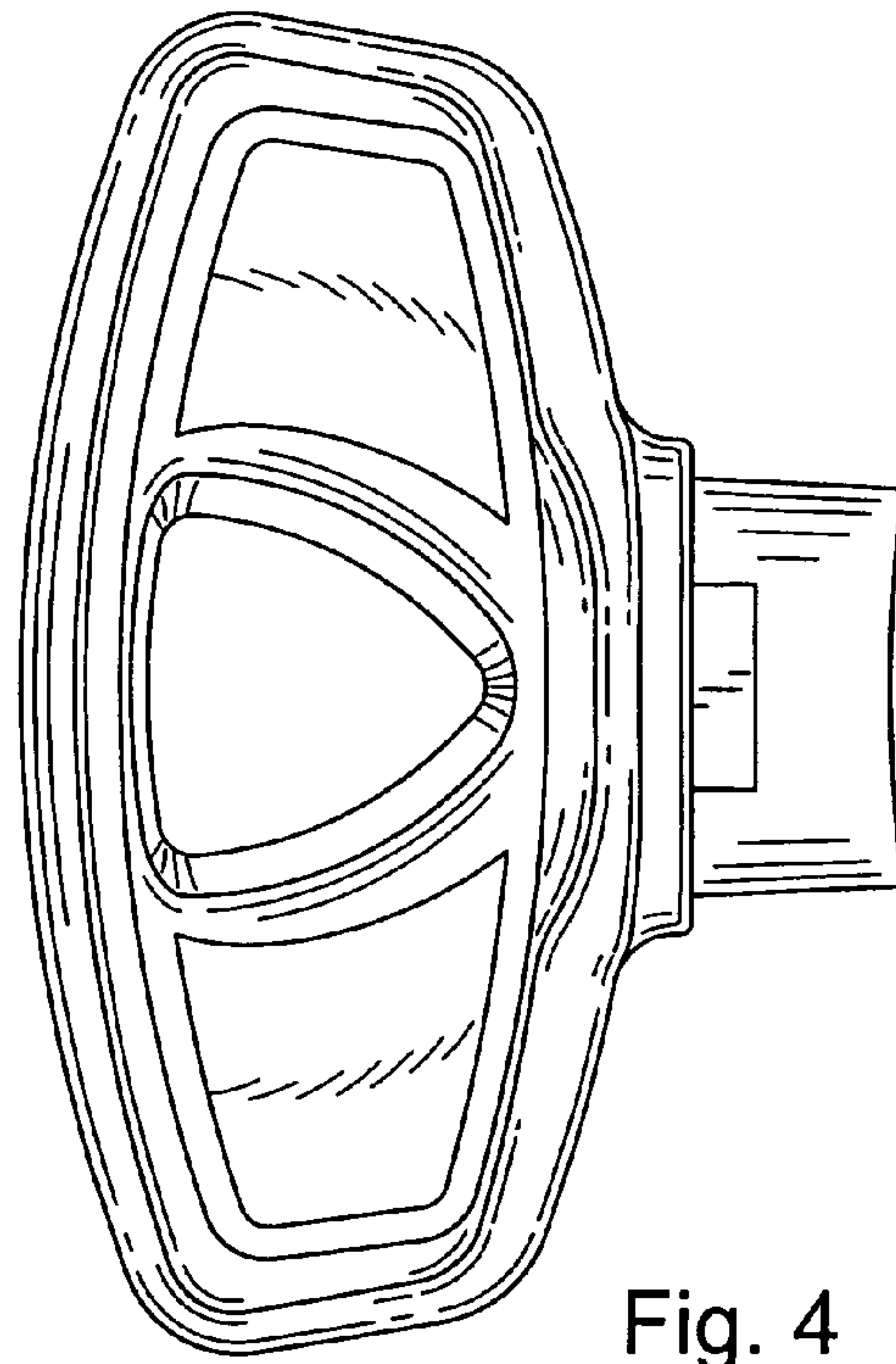


Fig. 4

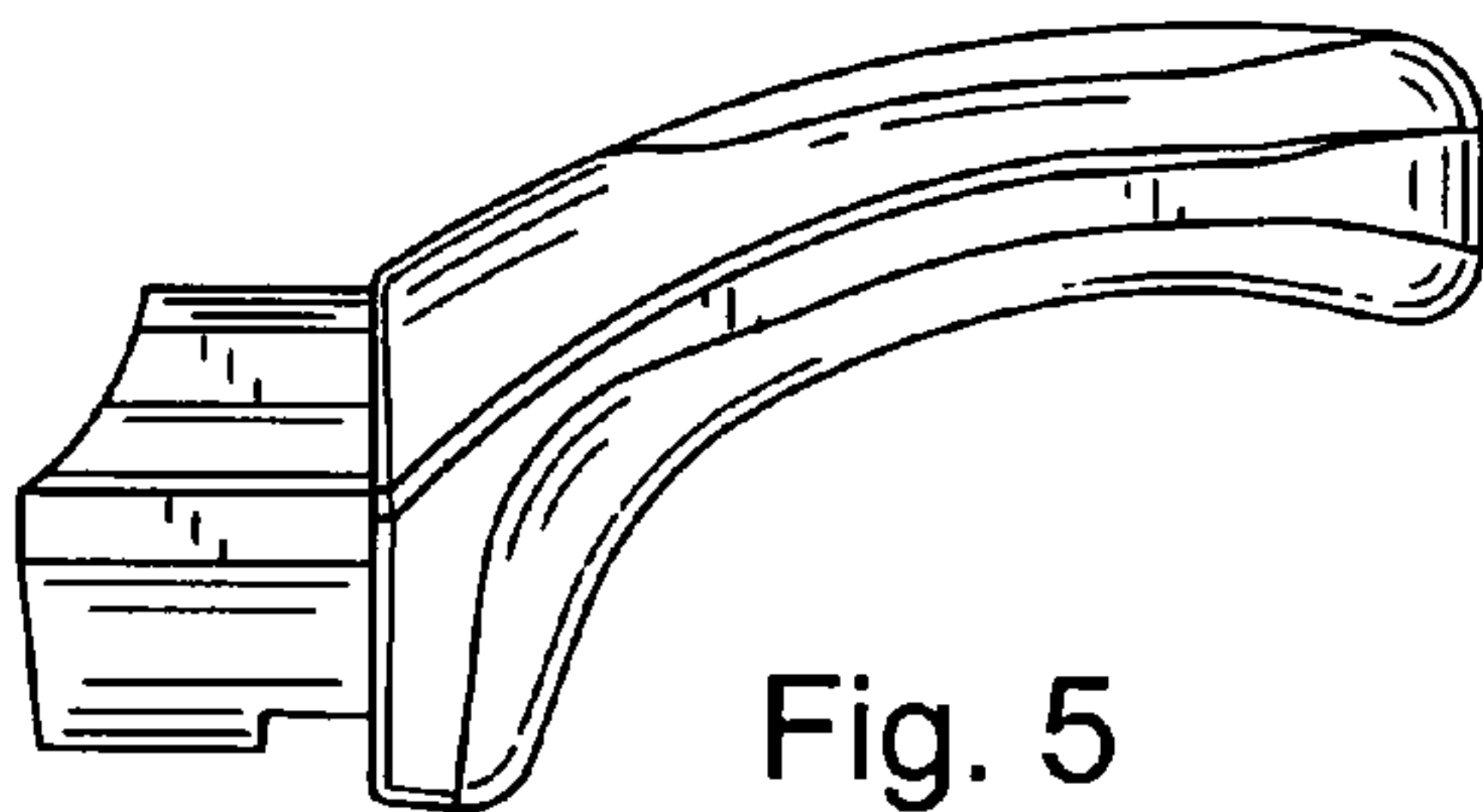


Fig. 5

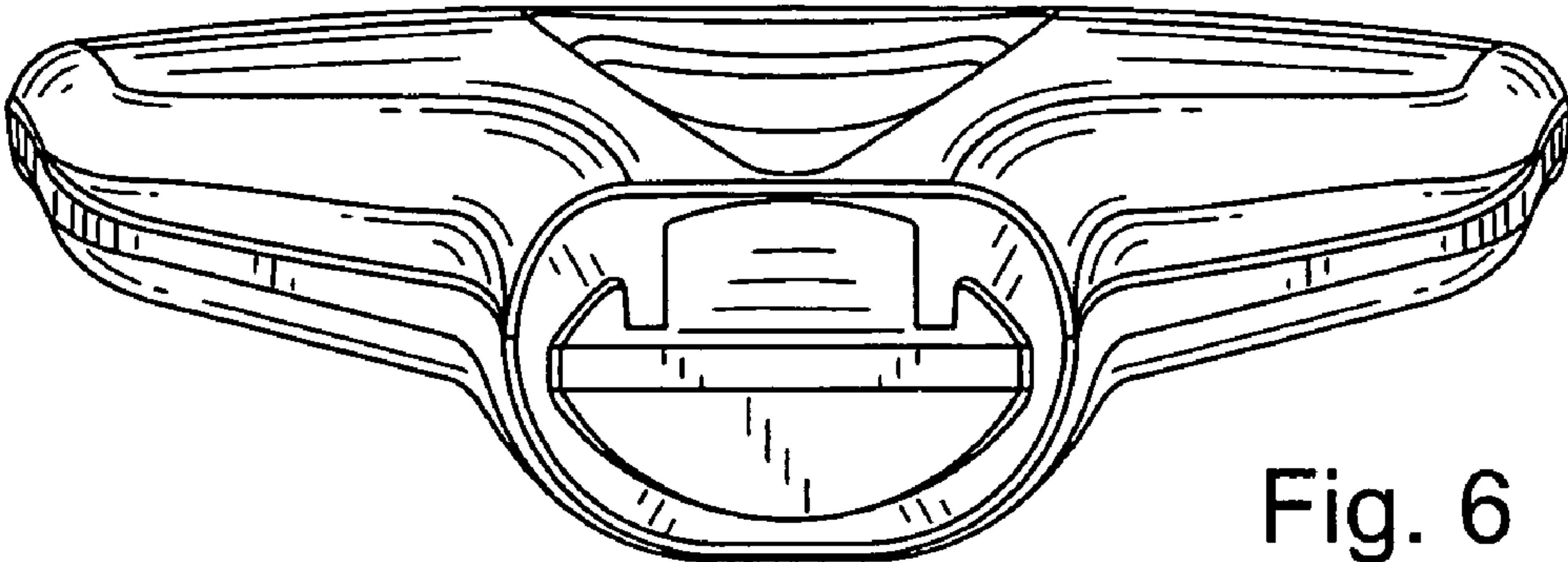


Fig. 6

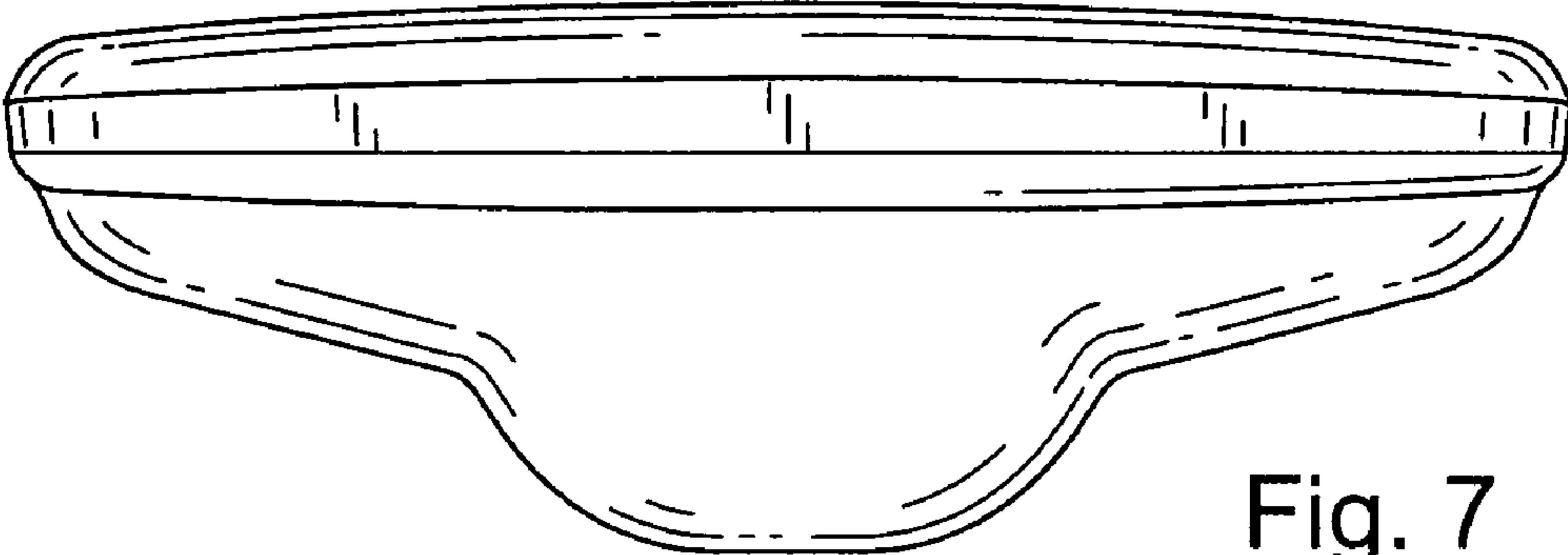


Fig. 7