



US00D615348S

(12) **United States Design Patent**
Huang et al.

(10) **Patent No.:** **US D615,348 S**
(45) **Date of Patent:** **** May 11, 2010**

(54) **MIXING APPARATUS**

(75) Inventors: **Joseph C. Huang**, Dayton, OH (US);
Brian R. Kadel, Dayton, OH (US);
Thomas S. Donthnier, Vandalia, OH
(US); **William C. Sanders**, Springboro,
OH (US); **John C. Baron**, Tipp City, OH
(US); **Jeffrey T. DeBord**, Worthington,
OH (US); **Ryan R. Berger**, Columbus,
OH (US)

D116,747 S 9/1939 Meeker et al.
2,306,245 A 12/1942 Duke
D163,423 S 5/1951 Schimanski
D180,952 S 9/1957 Kaempf
4,822,172 A 4/1989 Stottmann
4,893,942 A 1/1990 Stottmann

(Continued)

(73) Assignee: **Premark FEG L.L.C.**, Wilmington, DE
(US)

Primary Examiner—Caron Veynar
Assistant Examiner—Ricky Pham
(74) *Attorney, Agent, or Firm*—Thompson Hine LLP

(**) Term: **14 Years**

(21) Appl. No.: **29/341,195**

(57) **CLAIM**

(22) Filed: **Jul. 31, 2009**

The ornamental design for a mixing apparatus, as shown and described.

Related U.S. Application Data

(62) Division of application No. 29/334,239, filed on Mar.
23, 2009, now Pat. No. Des. 603,214.

DESCRIPTION

(51) **LOC (9) Cl.** **31-00**
(52) **U.S. Cl.** **D7/379; D7/376**
(58) **Field of Classification Search** D7/317-318,
D7/356, 376-386, 412-415, 665; 99/348,
99/509-511; 241/30-37.5, 101.01-101.2,
241/166-169.1, 274-278.2, 285.1-285.3,
241/291, 292.1; 366/64-67, 98, 142, 192,
366/197-211, 241-254, 279-292, 341-347;
476/58

FIG. 1 is a perspective view of a mixing apparatus knob;
FIG. 2 is another perspective view of the mixing apparatus
knob of FIG. 1;
FIG. 3 is a side view of the mixing apparatus knob of FIG. 1;
FIG. 4 is a front view of the mixing apparatus knob of FIG. 1;
FIG. 5 is another side view of the mixing apparatus knob of
FIG. 1;
FIG. 6 is a rear view of the mixing apparatus knob of FIG. 1;
FIG. 7 is a top view of the mixing apparatus knob of FIG. 1;
and,
FIG. 8 is a bottom view of the mixing apparatus knob of FIG.
1.

See application file for complete search history.

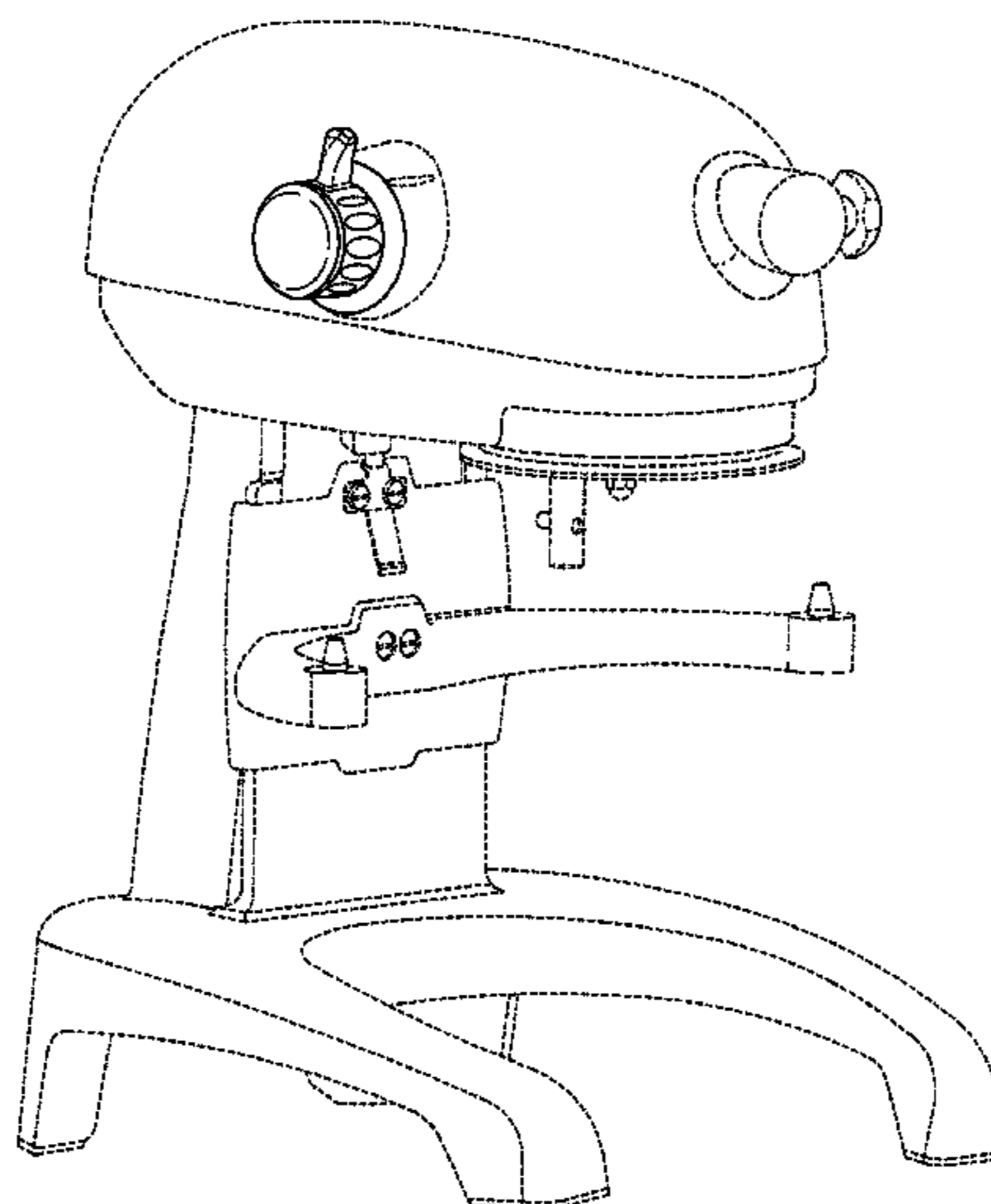
The broken lines shown in the drawings are for illustrative
purposes only and form no part of the claimed design.

(56) **References Cited**

U.S. PATENT DOCUMENTS

1,428,704 A * 9/1922 Petri 366/197
1,562,704 A * 11/1925 Kevan 476/58
1,767,002 A * 6/1930 Meeker et al. 366/207
2,024,282 A * 12/1935 Geiger 366/197
D111,616 S 10/1938 Rosengren

1 Claim, 8 Drawing Sheets



US D615,348 S

Page 2

U.S. PATENT DOCUMENTS

4,900,160	A	2/1990	Brooks et al.	D540,113	S	4/2007	Short et al.	
D322,009	S	12/1991	Doggett	7,273,315	B2	9/2007	Huang et al.	
D322,010	S	12/1991	Doggett	D564,297	S	3/2008	Short et al.	
5,348,393	A	9/1994	Pappas, Jr.	D564,298	S	3/2008	Short et al.	
D362,994	S	10/1995	Ratermann et al.	7,384,187	B2 *	6/2008	Blackburn et al. 366/206
5,533,806	A	7/1996	Veltrop et al.	7,387,430	B2	6/2008	Short et al.	
D394,781	S	6/1998	Doggett	7,438,463	B2 *	10/2008	Schnipke et al. 366/203
D400,759	S	11/1998	Doggett	D582,203	S *	12/2008	Short et al. D7/376
5,860,738	A	1/1999	Brinkman	D583,618	S *	12/2008	Blackburn et al. D7/376
6,068,398	A	5/2000	Lin	D584,916	S *	1/2009	Christou D7/376
D459,145	S	6/2002	Short	2002/0093877	A1 *	7/2002	Brunswick et al. 366/206
D468,581	S	1/2003	Short	2002/0181322	A1	12/2002	Brunswick et al.	
D482,564	S	11/2003	Short	2004/0022124	A1	2/2004	Yoshioka	
D489,936	S	5/2004	Smith	2004/0120215	A1 *	6/2004	Huang et al. 366/203
D490,271	S	5/2004	Short et al.	2004/0120216	A1	6/2004	Donthnier et al.	
6,883,959	B2	4/2005	Donthnier et al.	2004/0208082	A1	10/2004	Huang et al.	
6,953,278	B2 *	10/2005	Short et al. 366/206	2005/0141340	A1	6/2005	Donthnier et al.	
7,014,354	B2	3/2006	Donthnier et al.	2006/0198240	A1	9/2006	Short et al.	

* cited by examiner

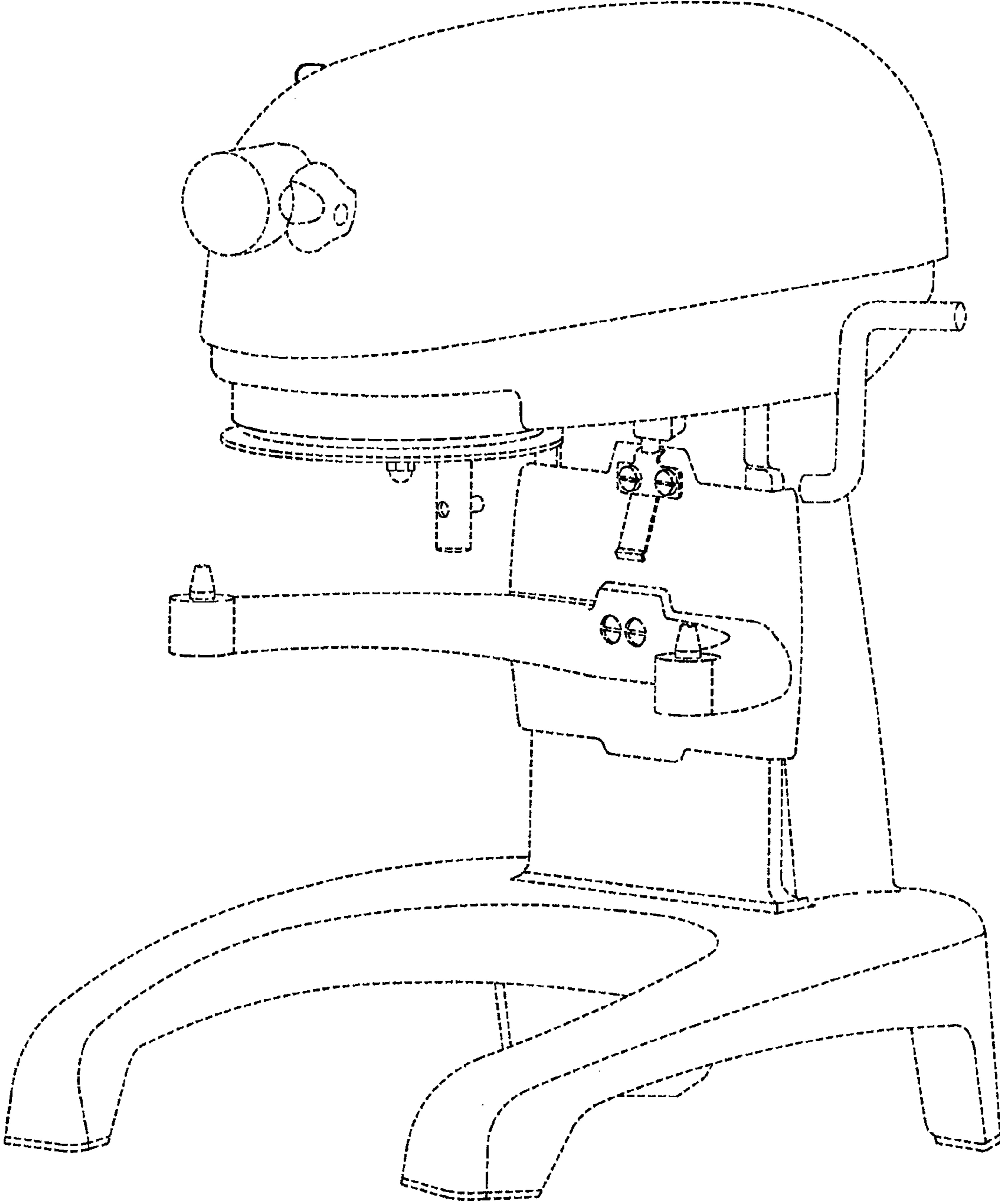


Fig. 1

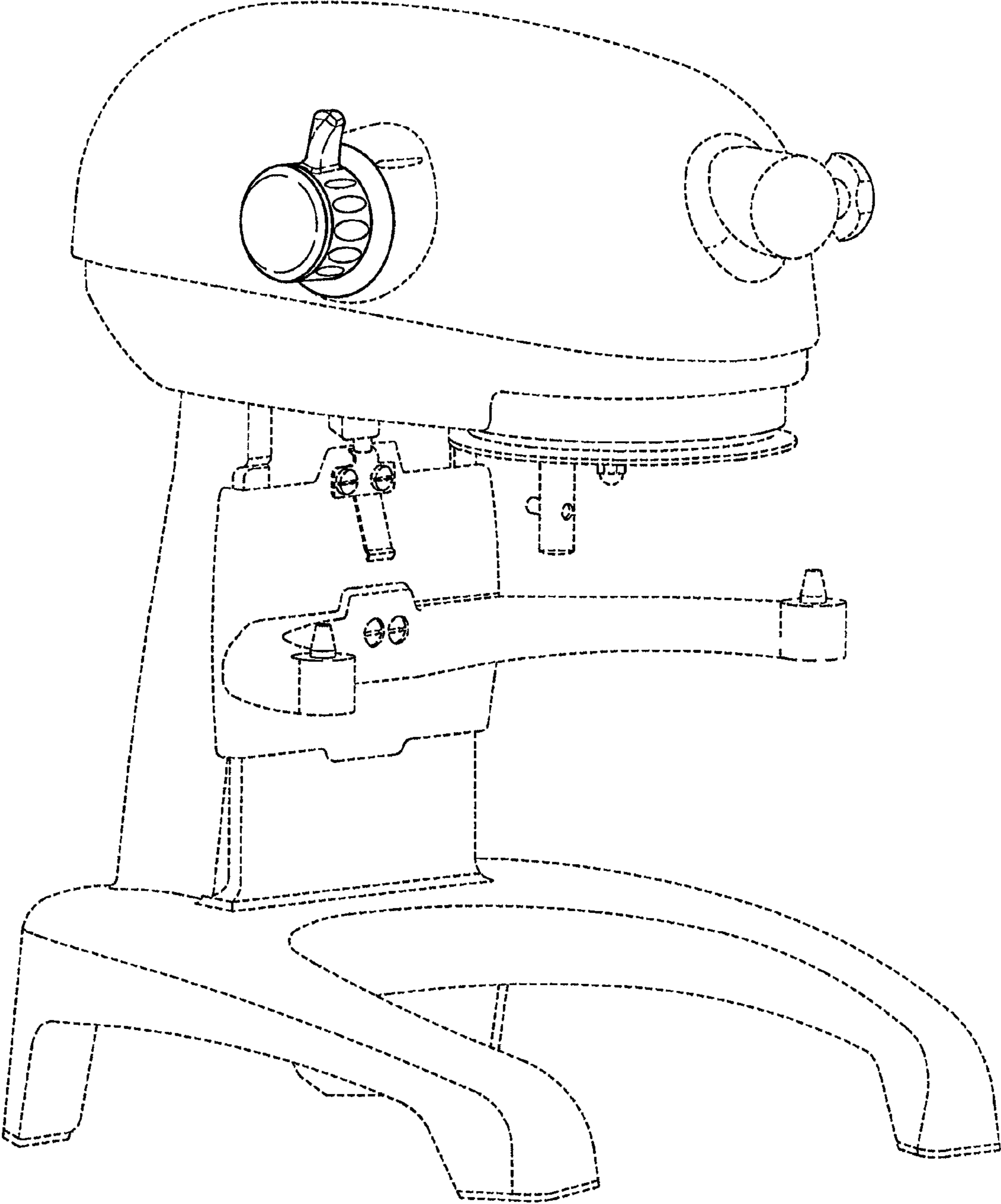


Fig. 2

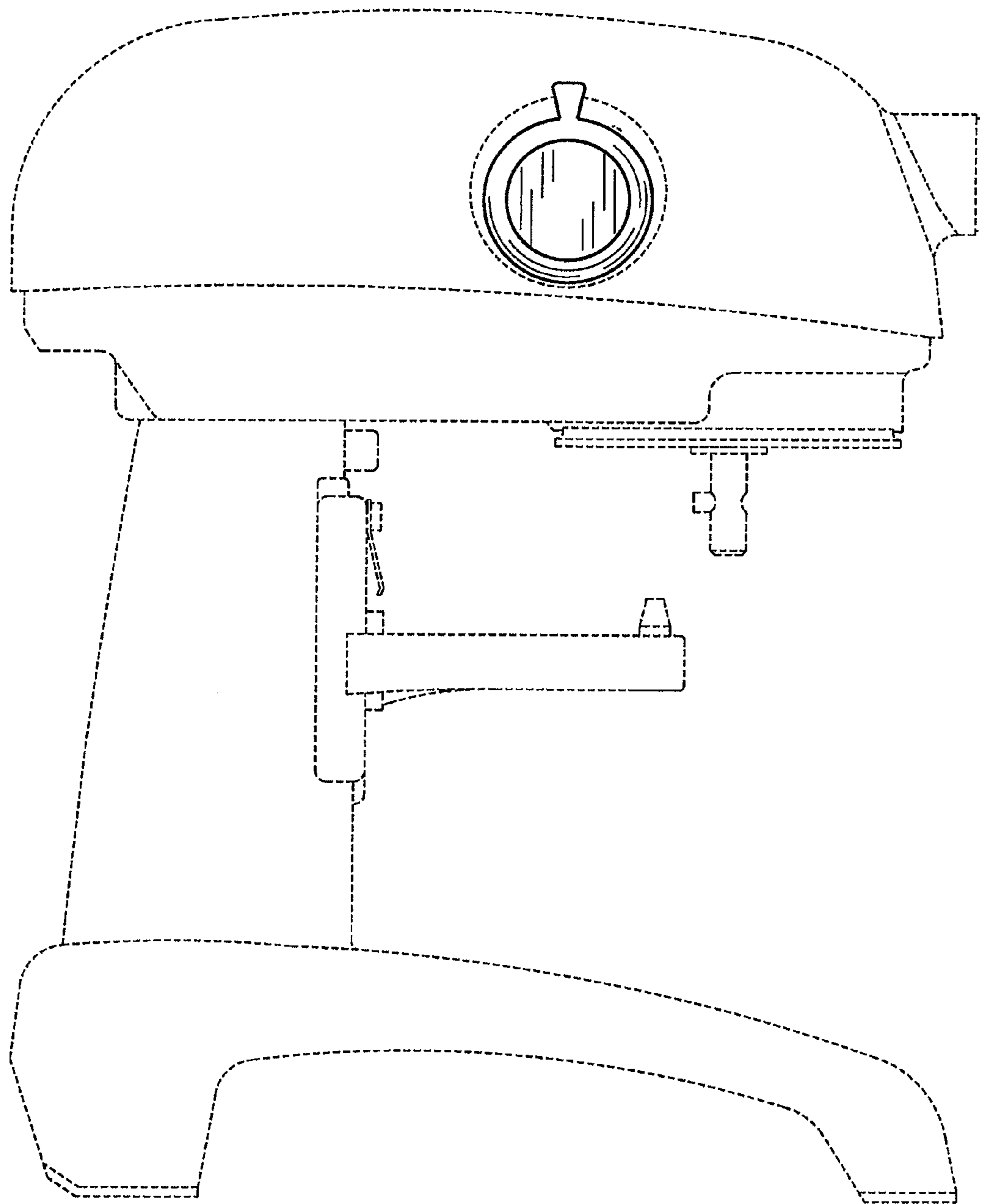


Fig. 3

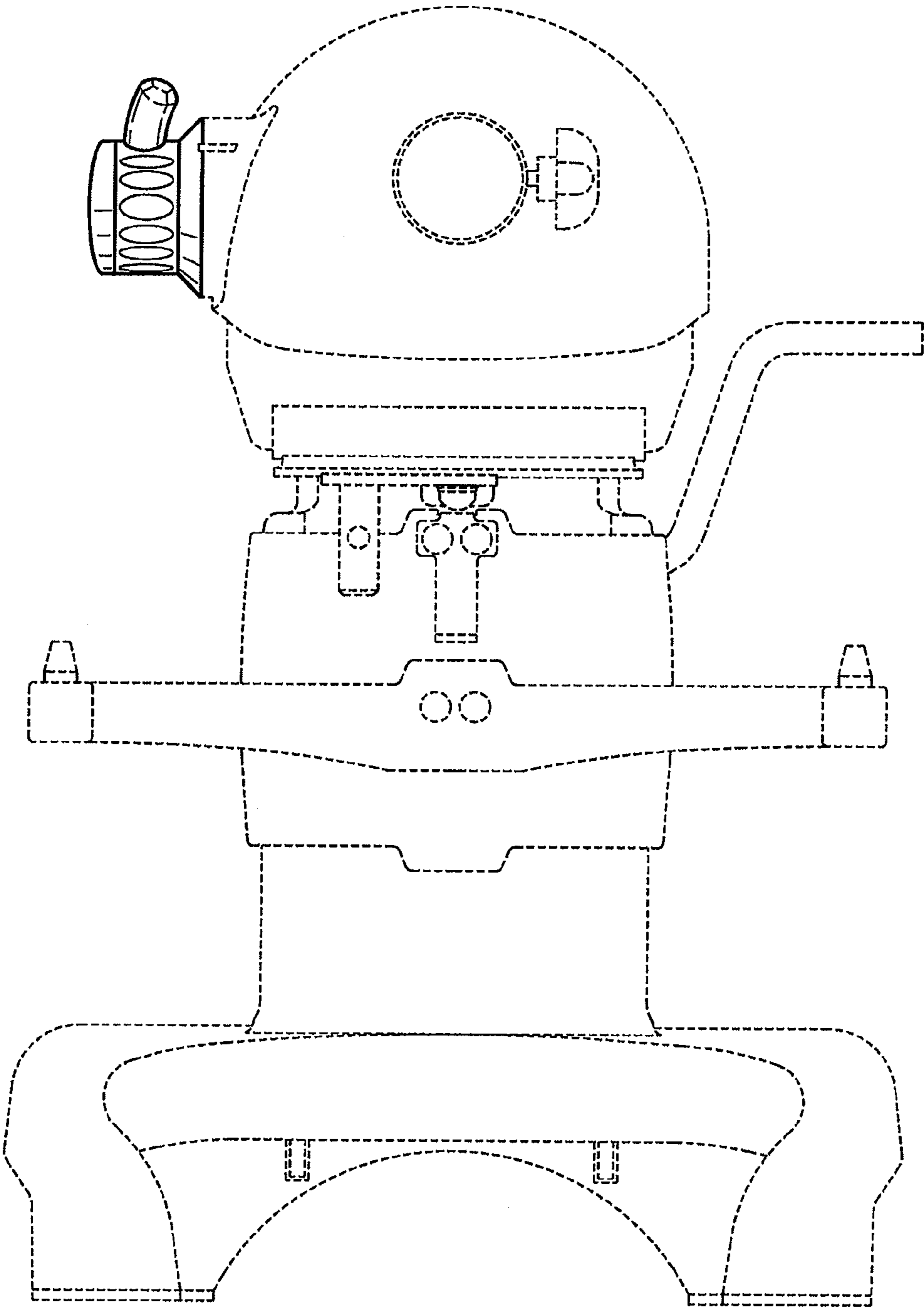


Fig. 4

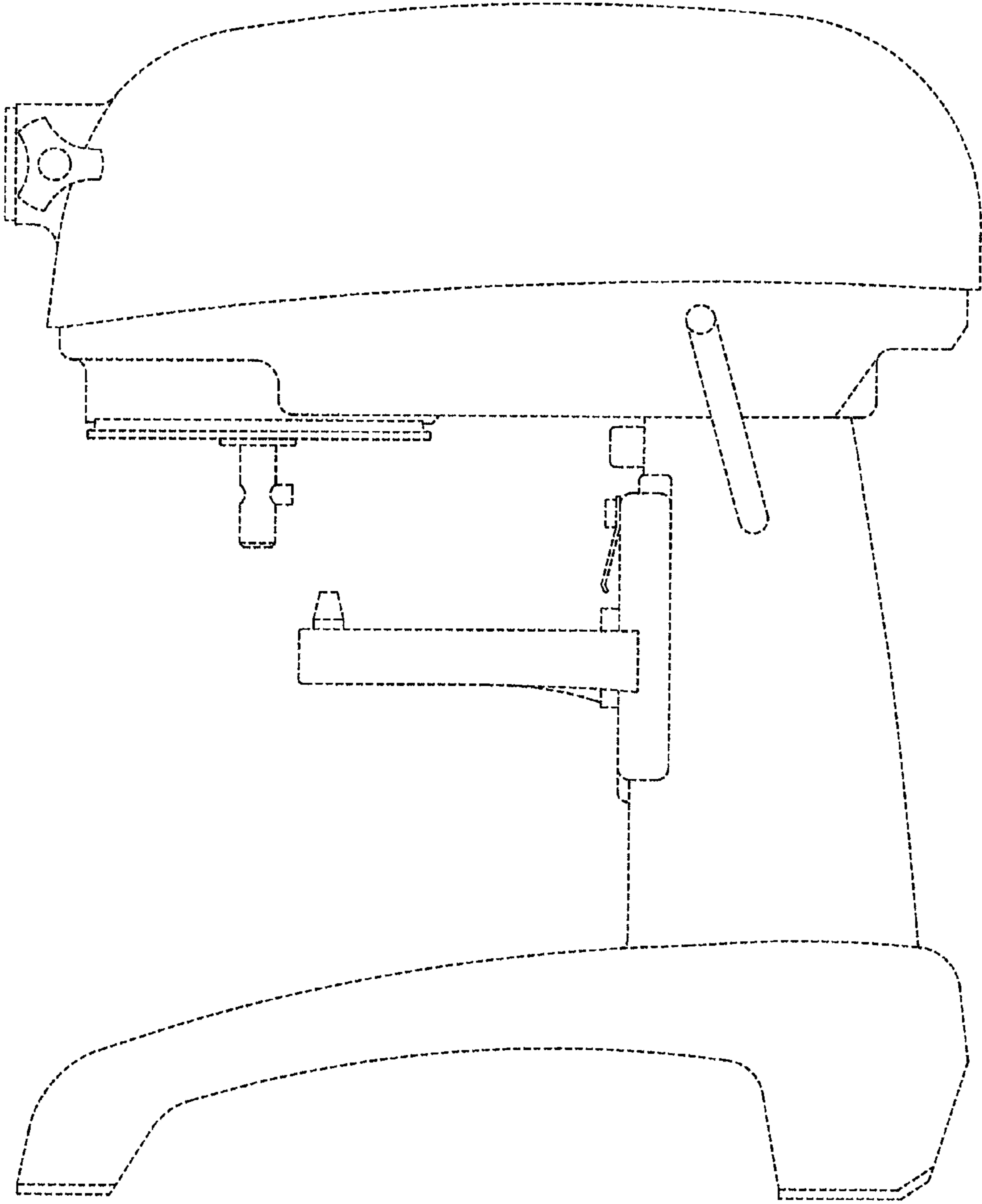


Fig. 5

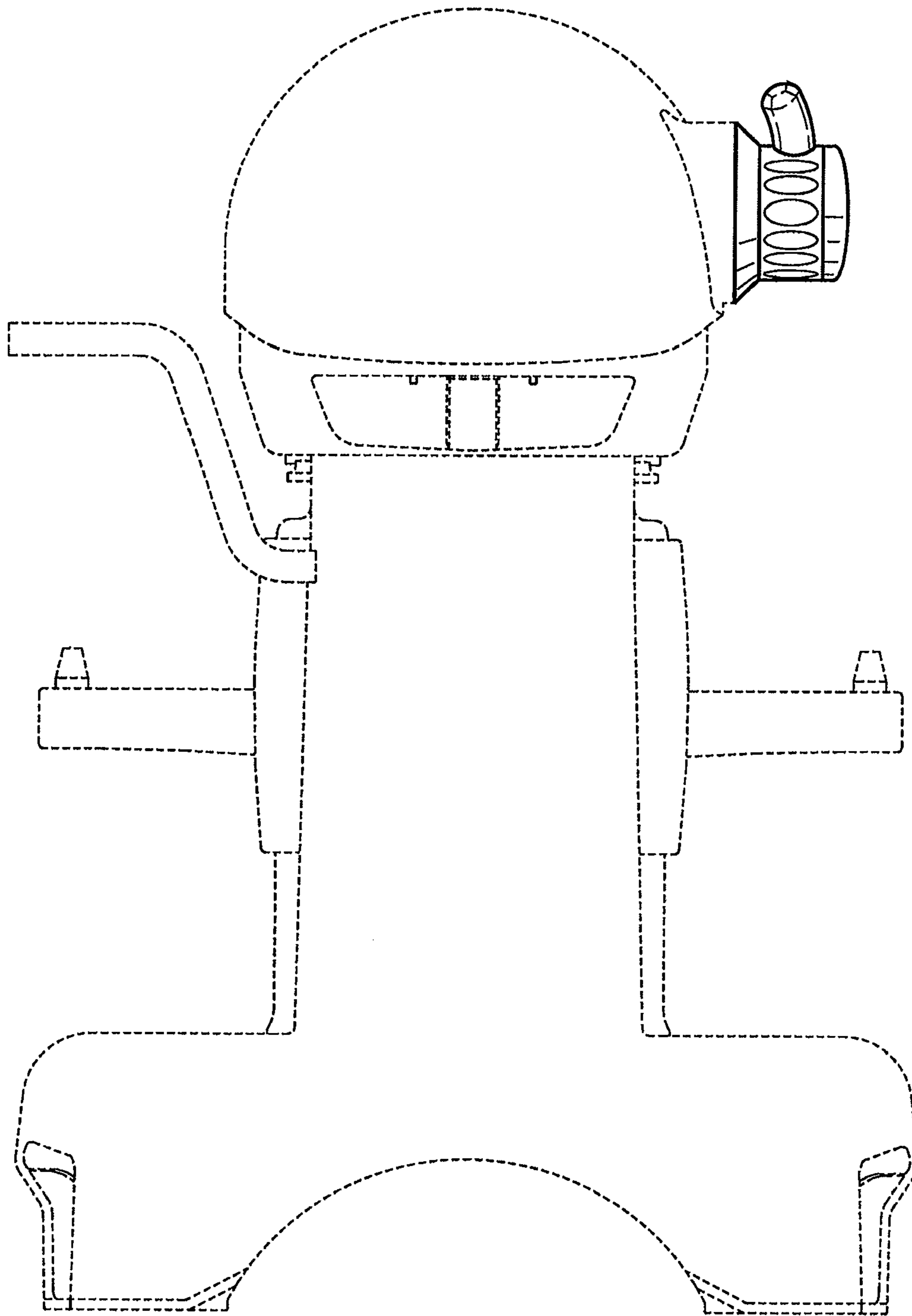


Fig. 6

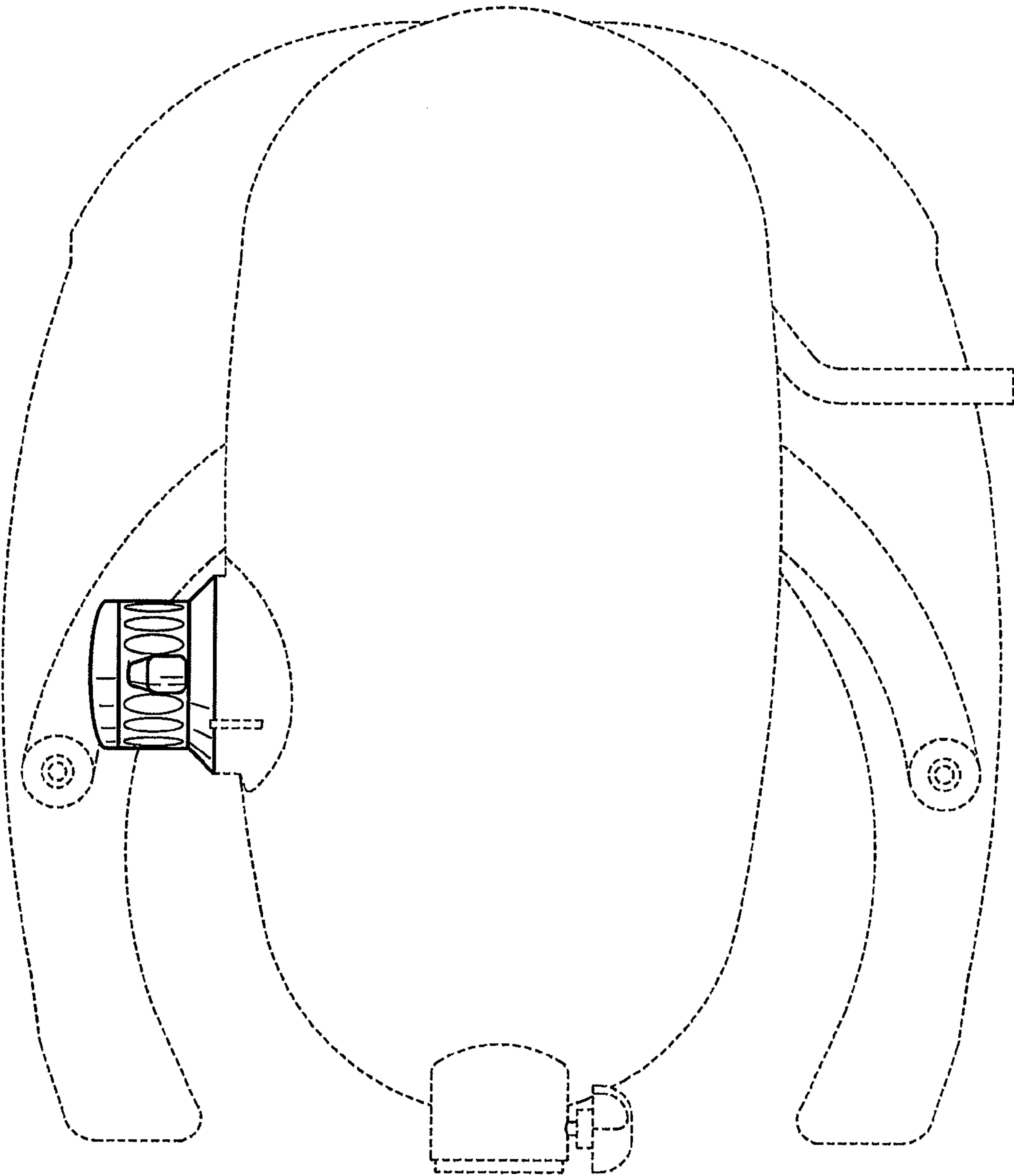


Fig. 7

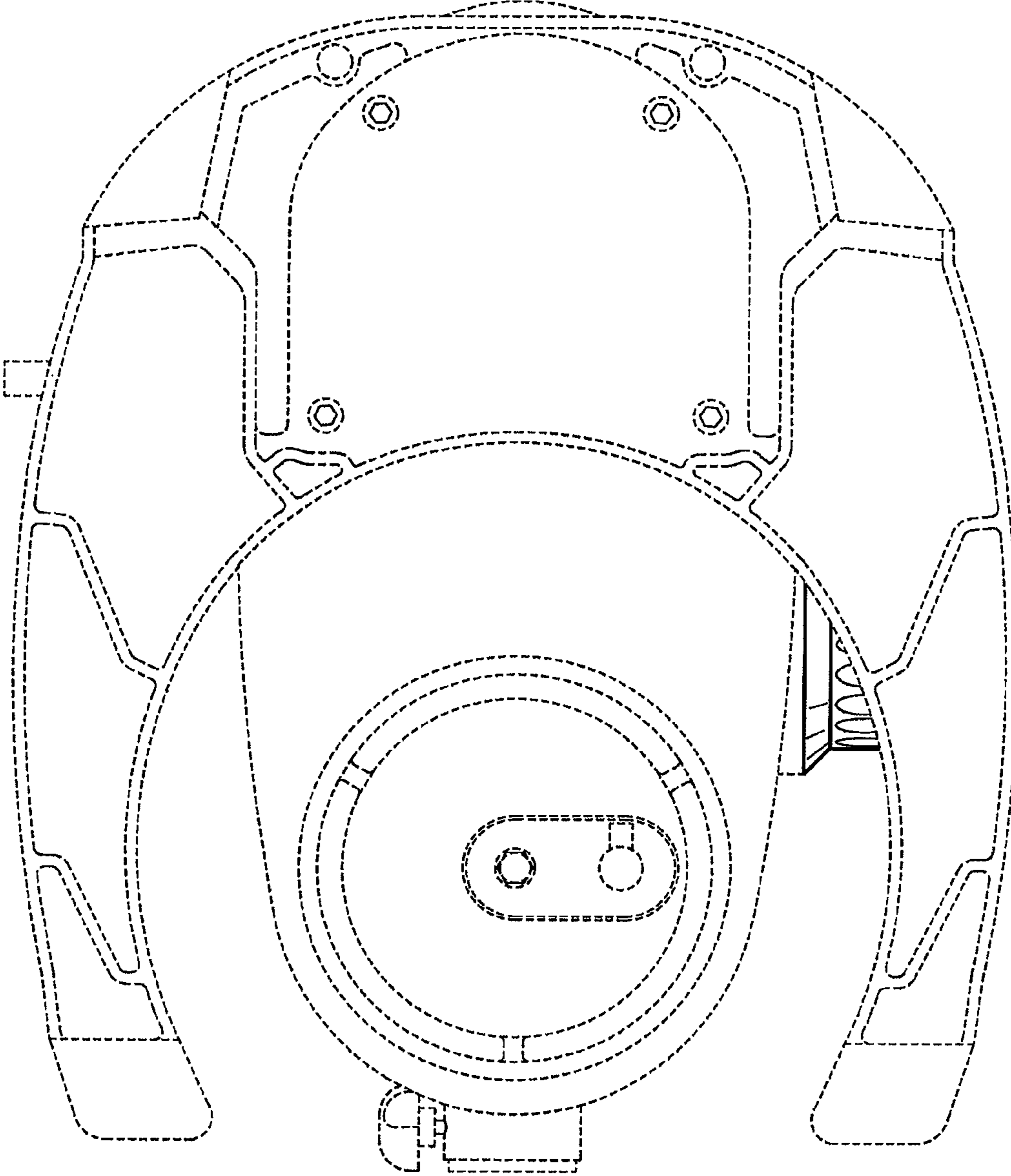


Fig. 8